



US00D608930S

(12) **United States Design Patent**
Castelli

(10) **Patent No.:** **US D608,930 S**
(45) **Date of Patent:** **** Jan. 26, 2010**

(54) **LIGHT FIXTURE**

(76) Inventor: **Michael Castelli**, 95 Drake Ct., West Islip, NY (US) 11795

(**) Term: **14 Years**

(21) Appl. No.: **29/335,634**

(22) Filed: **Apr. 17, 2009**

(51) **LOC (9) Cl.** **26-03**

(52) **U.S. Cl.** **D26/76**

(58) **Field of Classification Search** D26/63,
D26/72, 74-77, 118; 362/147, 217.01, 217.02,
362/217.1, 217.12, 217.15, 217.16, 219-225,
362/132, 260-264, 267, 283, 337, 364-366,
362/368, 376; 454/293, 354

See application file for complete search history.

(56) **References Cited**

U.S. PATENT DOCUMENTS

D106,873	S	*	11/1937	Stewart	D26/24
D132,786	S	*	6/1942	Netting	D26/78
2,291,489	A		7/1942	Naysmith		
2,323,073	A	*	6/1943	Netting	362/225
2,338,521	A		1/1944	Levy		
2,516,660	A		7/1950	Versen		
2,518,724	A		8/1950	Runge		
2,948,807	A		8/1960	Maciel et al.		
2,973,177	A		2/1961	Stubbs		
2,997,321	A		8/1961	Bobrick		
3,051,430	A		8/1962	Halfaker		
3,154,001	A		10/1964	Zurawski		
3,788,206	A		1/1974	Mulvey		
4,086,480	A		4/1978	Lahm		
4,419,717	A		12/1983	Price et al.		
4,424,554	A		1/1984	Woloski et al.		
4,549,253	A		10/1985	Totten		
4,622,624	A	*	11/1986	McCarthy et al.	362/217.02
4,855,883	A		8/1989	Spitz		
D307,059	S		4/1990	Szymanek		
D330,268	S		10/1992	Jaksich		
5,171,085	A		12/1992	Jaksich		
D351,481	S		10/1994	Cole		

D374,301	S	*	10/1996	Kleffman	D26/76
5,564,815	A		10/1996	Littman et al.		
5,615,943	A		4/1997	Coldren		
D379,546	S		5/1997	Littman		
D399,586	S		10/1998	Ranieri et al.		
5,902,035	A		5/1999	Mui		
5,921,666	A		7/1999	Preston et al.		
D413,402	S		8/1999	Ranieri et al.		

(Continued)

Primary Examiner—Philip S Hyder
Assistant Examiner—Susan E Krakower
(74) *Attorney, Agent, or Firm*—Kilpatrick Stockton, LLP

(57) **CLAIM**

The ornamental design for a light fixture, as shown and described.

DESCRIPTION

FIG. 1 is a bottom perspective view of a light fixture, showing my new design.

FIG. 2 is a front elevation view of the light fixture of FIG. 1, the rear elevation view being a mirror image of the front view.

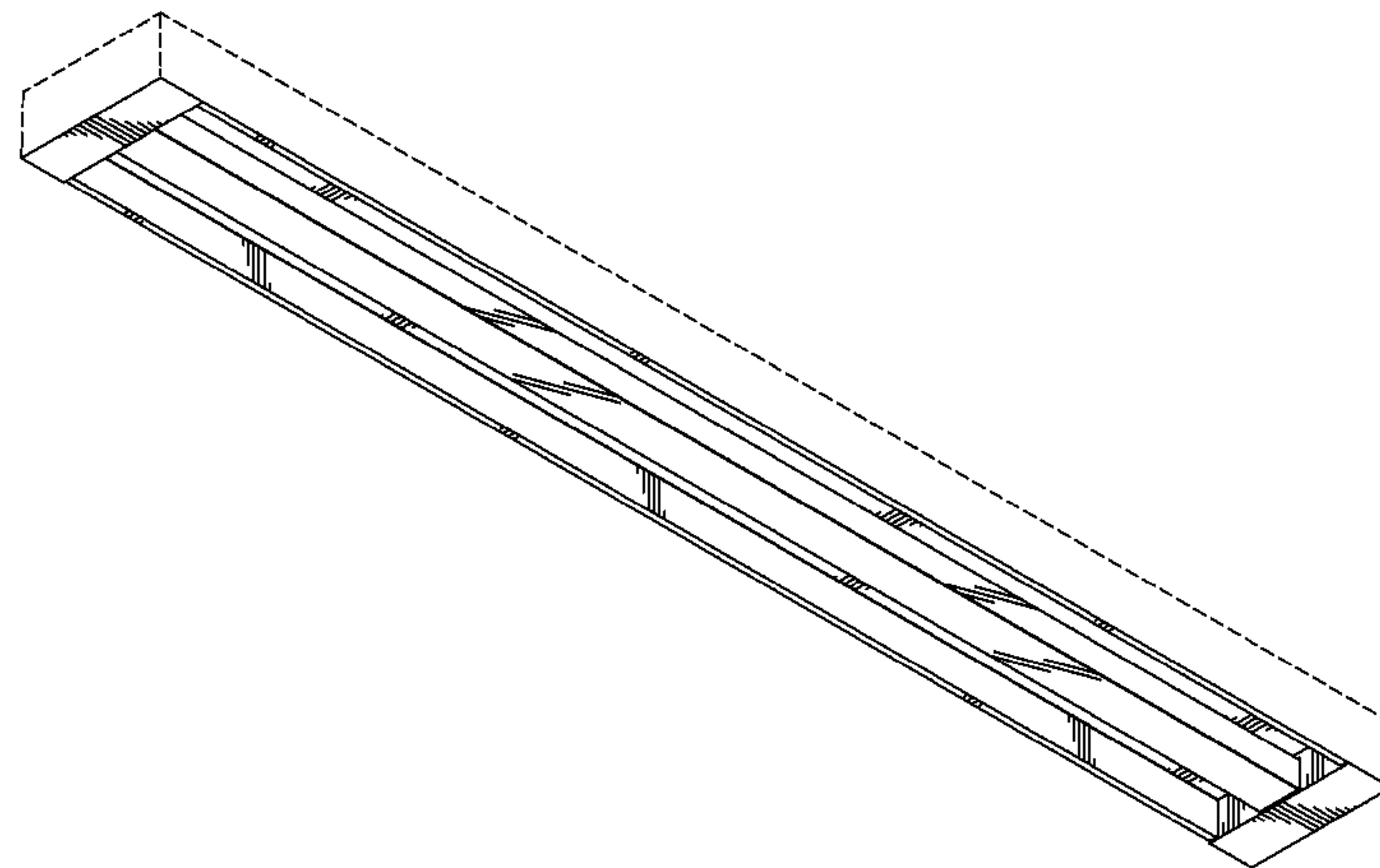
FIG. 3 is a right side elevation view of the light fixture of FIG. 1, the left side elevation view being a mirror image of the right side view; and,

FIG. 4 is a bottom plan view of the light fixture of FIG. 1.

Portions or features of the light fixture not shown in the drawings form no part of the claimed design. The broken lines in the drawings form no part of the claimed design.

The broken lines illustrate portions of the light fixture which form no part of the claimed design.

1 Claim, 2 Drawing Sheets



US D608,930 S

Page 2

U.S. PATENT DOCUMENTS

5,988,836 A	11/1999	Swarens	6,854,860 B2	2/2005	Plunk	
6,070,995 A	6/2000	Kanai	7,195,372 B2	3/2007	Plunk	
6,092,913 A	7/2000	Edwards	D545,483 S *	6/2007	Mayfield et al. D26/118
6,102,550 A	8/2000	Edwards	7,229,192 B2	6/2007	Mayfield et al.	
D430,688 S *	9/2000	Plunk	7,234,832 B2	6/2007	Lippis et al.	
6,367,955 B1	4/2002	Rhee	D545,991 S *	7/2007	Mayfield et al. D26/118
6,435,701 B1	8/2002	Chen	D545,992 S *	7/2007	Mayfield et al. D26/118
6,601,976 B1	8/2003	Rhee	7,261,435 B2	8/2007	Gould et al.	
6,752,513 B2	6/2004	Plunk	D556,358 S	11/2007	Santoro	
D496,121 S	9/2004	Santoro	7,314,295 B2	1/2008	Legat et al.	
			2007/0211457 A1	9/2007	Mayfield et al.	

* cited by examiner

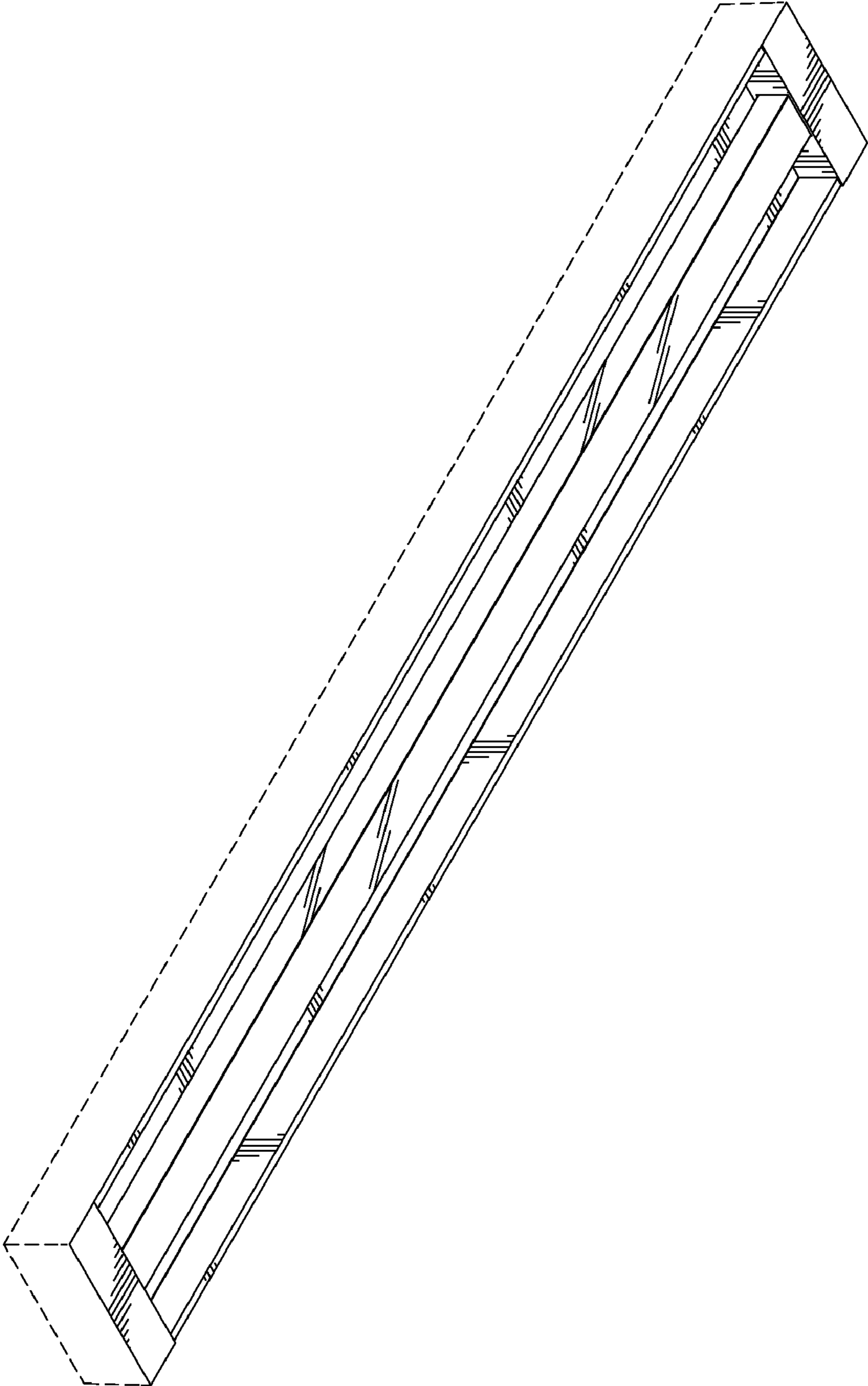


FIG. 1

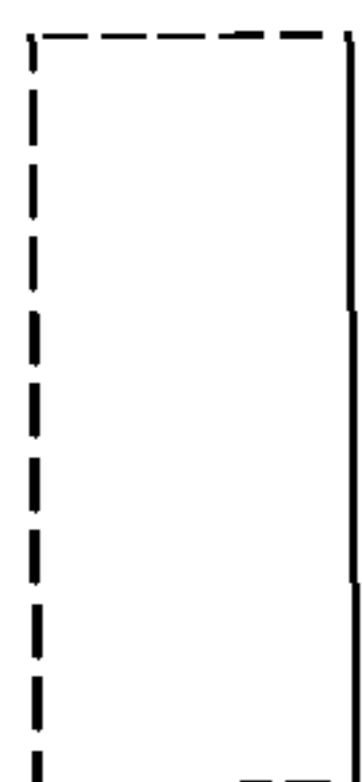


FIG. 2

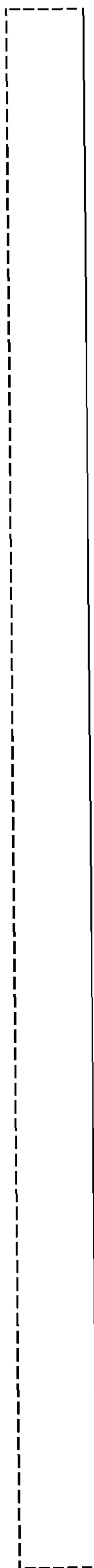


FIG. 3

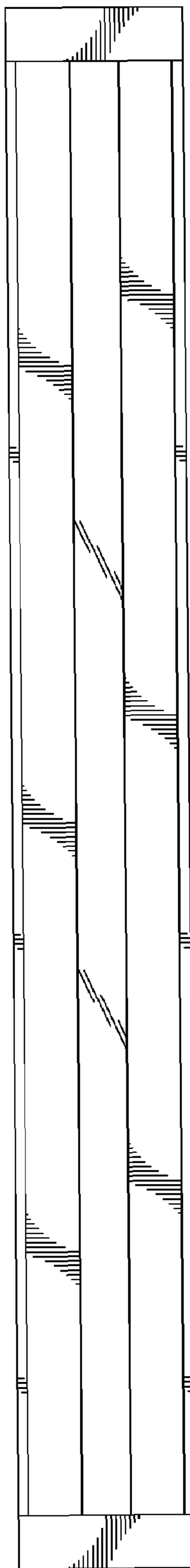


FIG. 4