



US00D608928S

(12) **United States Design Patent**
Noh

(10) **Patent No.:** **US D608,928 S**
(45) **Date of Patent:** **** Jan. 26, 2010**

(54) **FLUORESCENT LAMP FIXTURE**

(75) Inventor: **Si Chung Noh**, 624-8, Seogu-ri,
Gwangjeok-myeon, Yangju-si,
Gyeonggi-do (KR)

(73) Assignee: **Si Chung Noh (KR)**

(**) Term: **14 Years**

(21) Appl. No.: **29/331,789**

(22) Filed: **Jan. 30, 2009**

Related U.S. Application Data

(63) Continuation-in-part of application No. 29/303,092,
filed on Jan. 31, 2008, now abandoned.

(51) **LOC (9) Cl.** **26-03**

(52) **U.S. Cl.** **D26/76**

(58) **Field of Classification Search** D26/61,
D26/72, 74-79; 362/217-225, 260-263,
362/283, 337, 347, 364; 439/225, 232-234,
439/239-241

See application file for complete search history.

(56) **References Cited**

U.S. PATENT DOCUMENTS

2,248,598	A *	7/1941	Yoder	439/239
D130,059	S *	10/1941	Herr	D26/78
2,505,864	A *	5/1950	Kelman	200/51.07
D163,762	S *	6/1951	McCann	D26/76
2,595,520	A *	5/1952	Guerin	362/260
3,996,493	A *	12/1976	Davenport et al.	315/58
D330,269	S *	10/1992	Hong	D26/76
5,727,869	A *	3/1998	Crosby et al.	362/220
5,765,939	A *	6/1998	Tanner, Jr.	362/219
D396,122	S *	7/1998	Noh	D26/76
5,906,427	A *	5/1999	Noh	362/223
D424,230	S *	5/2000	Noh	D26/76

(Continued)

Primary Examiner—Philip S Hyder
Assistant Examiner—Susan E Krakower

(74) *Attorney, Agent, or Firm*—Finnegan, Henderson,
Farabow, Garrett & Dunner, LLP

(57) **CLAIM**

The ornamental design for a fluorescent lamp fixture, as
shown and described.

DESCRIPTION

FIG. 1 is a perspective view of the “fluorescent lamp fixture”
showing a new design;

FIG. 2 is a front view thereof;

FIG. 3 is a rear view thereof;

FIG. 4 is an enlarged left-side view thereof;

FIG. 5 is an enlarged right-side view thereof;

FIG. 6 is a top plan view thereof;

FIG. 7 is a bottom view thereof;

FIG. 8 is a partial enlarged top plan view of the left portion
thereof;

FIG. 9 is a partial enlarged top plan view of the right portion
thereof;

FIG. 10 is a partial enlarged front view of the left portion
thereof;

FIG. 11 is a partial enlarged front view of the right portion
thereof;

FIG. 12 is a partial enlarged bottom view of the left portion
thereof;

FIG. 13 is a partial enlarged bottom view of the right portion
thereof;

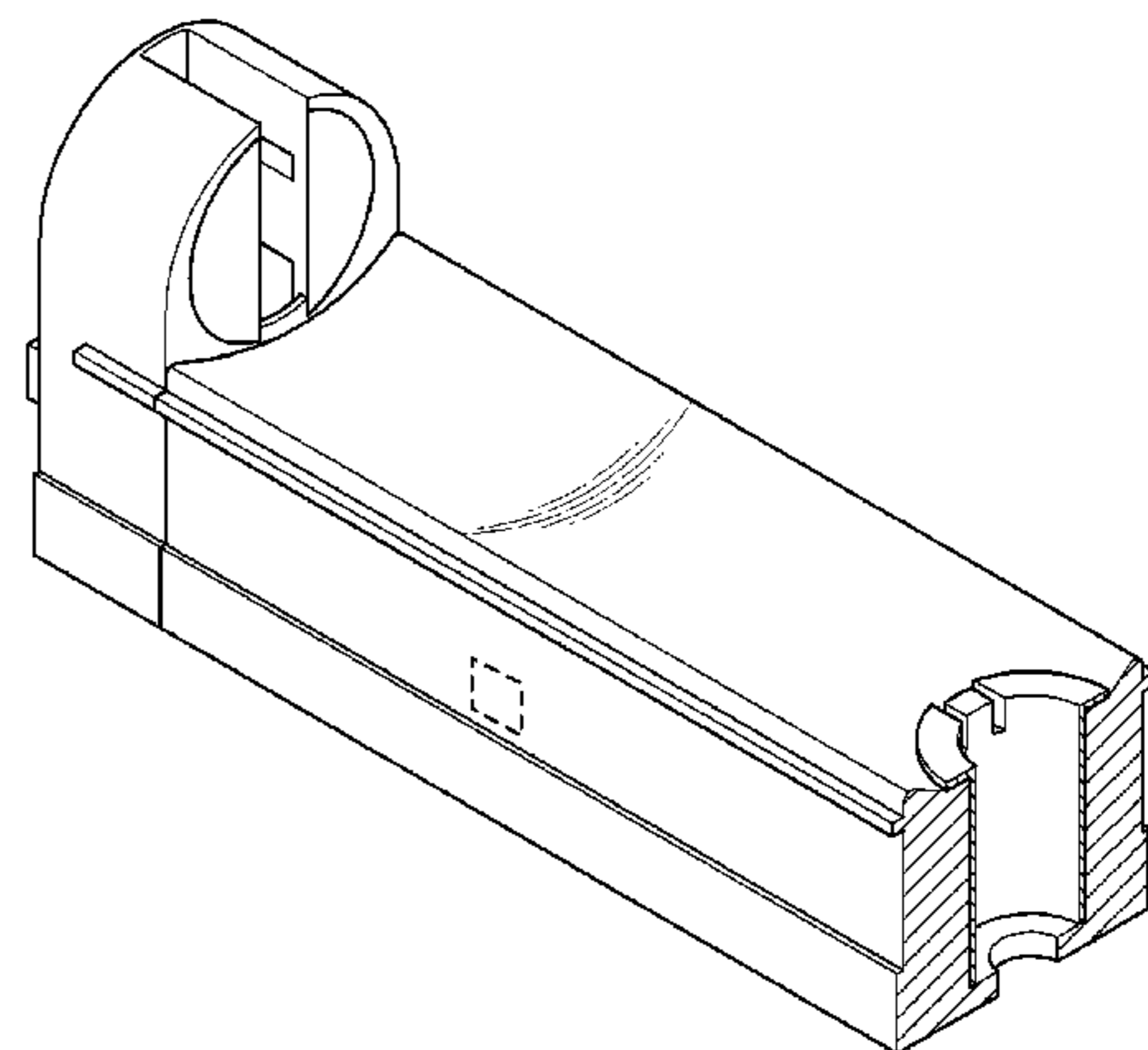
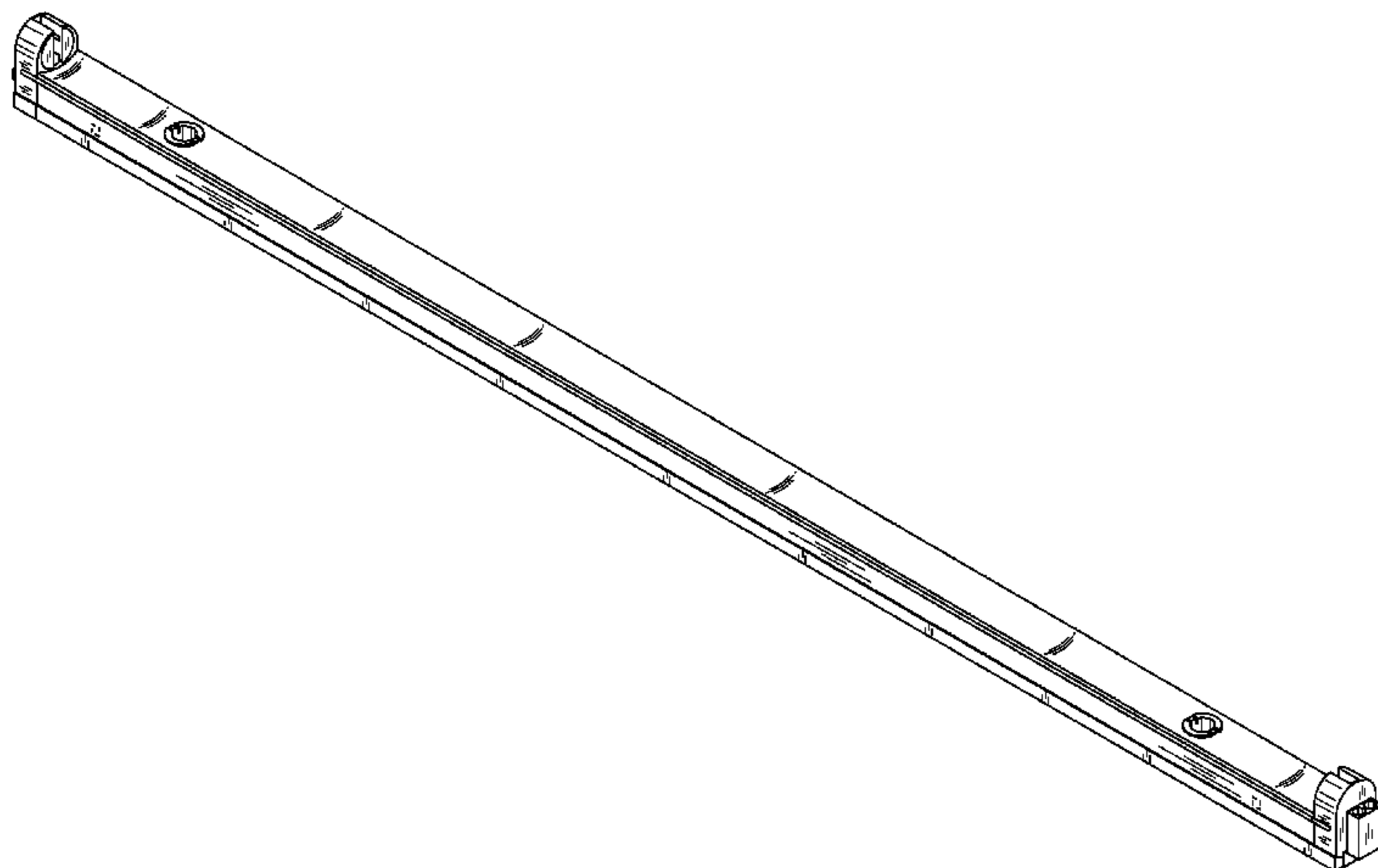
FIG. 14 is a partial enlarged perspective view of the right
portion thereof;

FIG. 15 is a partial enlarged perspective view of the left
portion thereof, shown cut-away to show the interior of a
circular element not apparent from other views; and,

FIG. 16 is a perspective view thereof, shown in use.

The broken lines illustrate environmental structure of a fluo-
rescent lamp fixture which form no part of the claimed design.

1 Claim, 10 Drawing Sheets



US D608,928 S

Page 2

U.S. PATENT DOCUMENTS

6,135,613	A *	10/2000	Bodell et al.	362/223	D521,676	S *	5/2006	Richner	D26/78
D438,326	S *	2/2001	Kan	D26/76	D526,737	S *	8/2006	Noh	D26/78
6,676,425	B2 *	1/2004	Lewis	439/234	D550,884	S *	9/2007	Tufano et al.	D26/75
D496,122	S *	9/2004	Kan	D26/76	D550,885	S *	9/2007	Crosby	D26/76
D496,486	S *	9/2004	Kan	D26/76	7,331,687	B1 *	2/2008	Noh	362/219
D521,173	S *	5/2006	Noh	D26/78	7,513,640	B2 *	4/2009	Hendrikus	362/219
						D593,698	S *	6/2009	Noh	D26/76

* cited by examiner

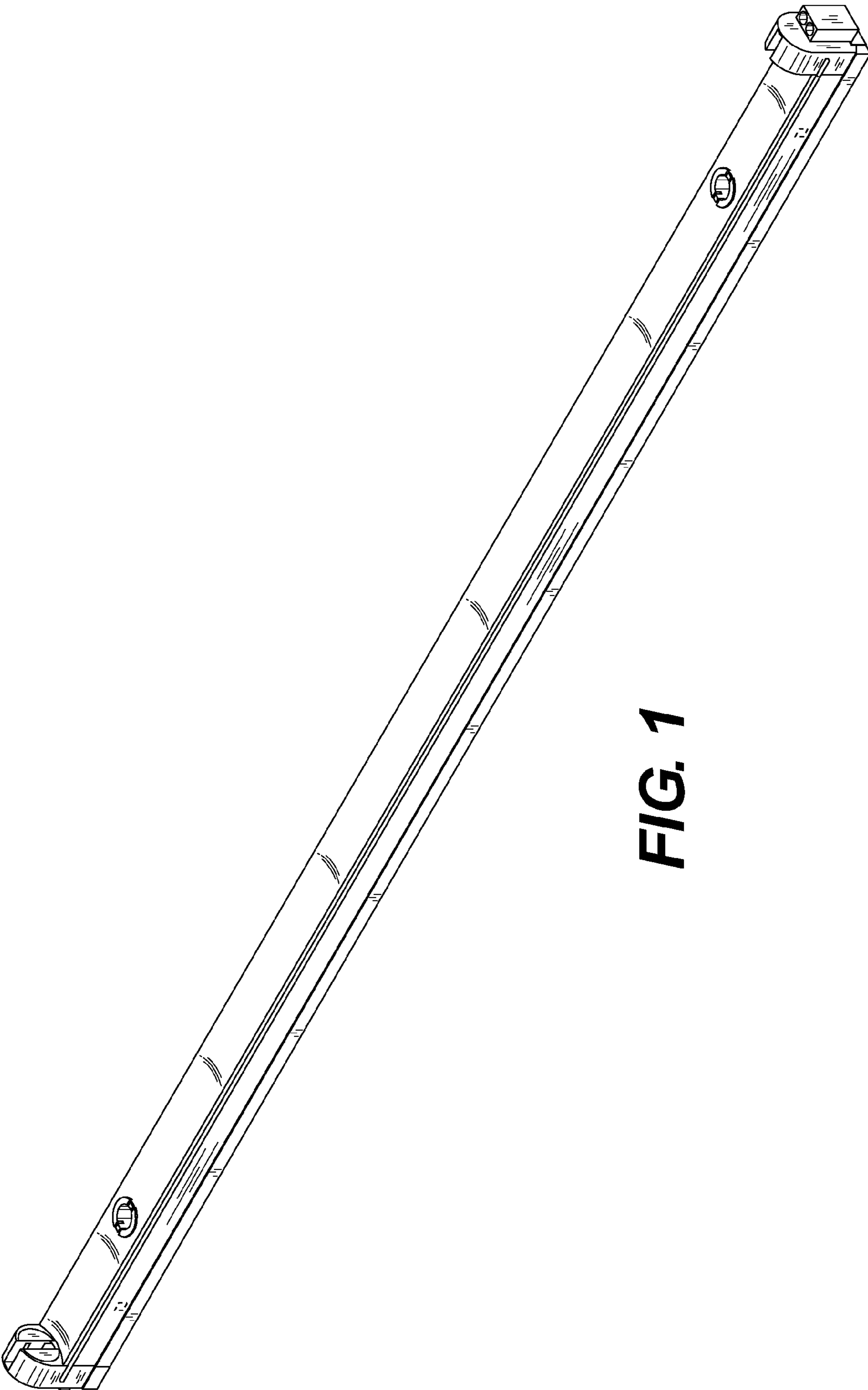


FIG. 1



FIG. 2

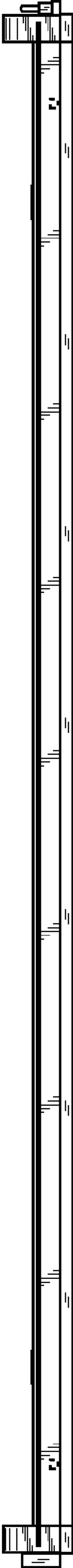


FIG. 3

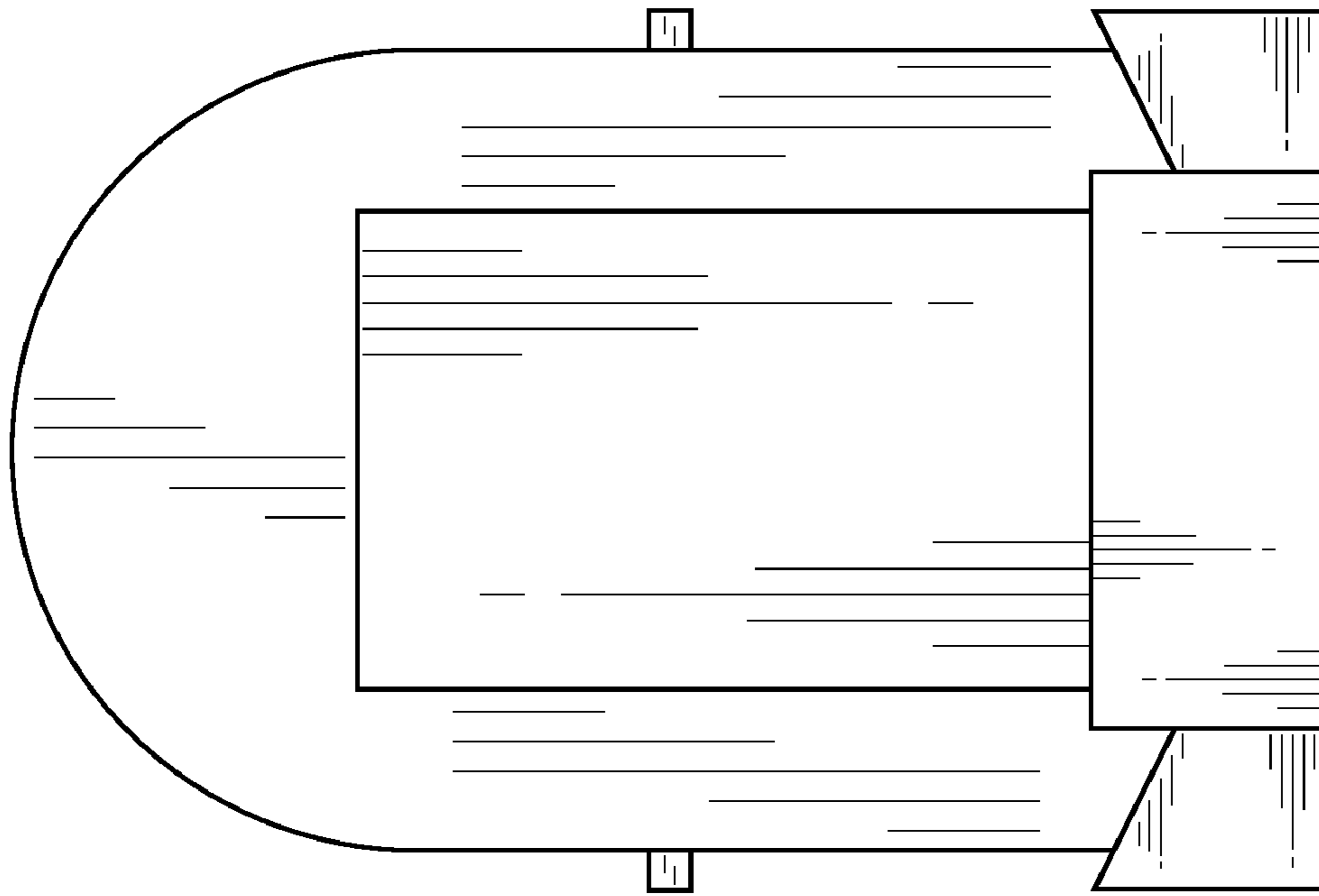


FIG. 4

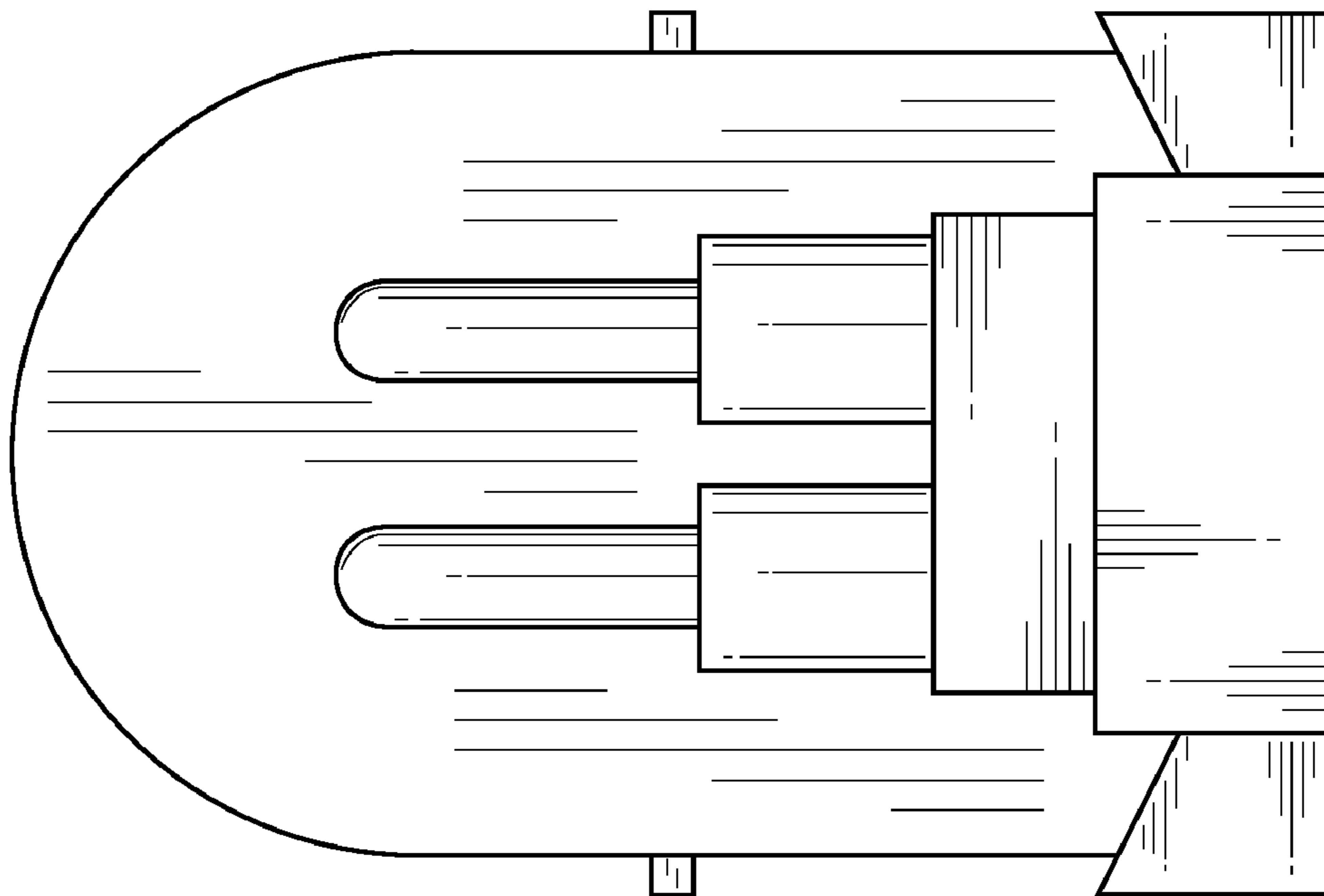


FIG. 5

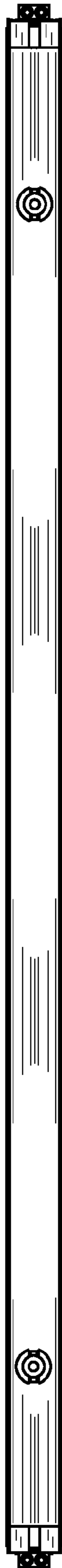


FIG. 6



FIG. 7

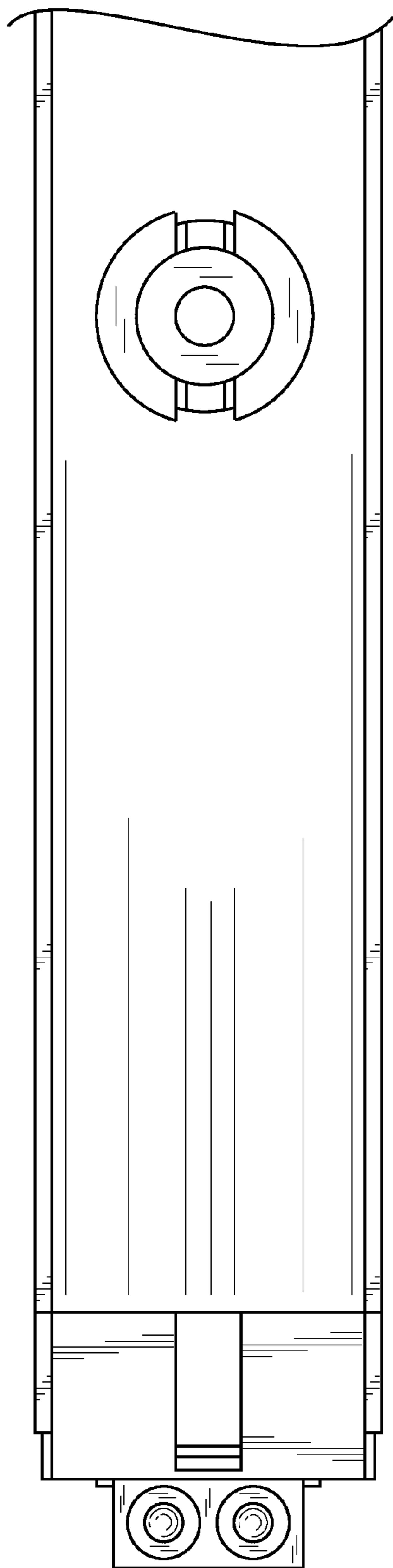


FIG. 8

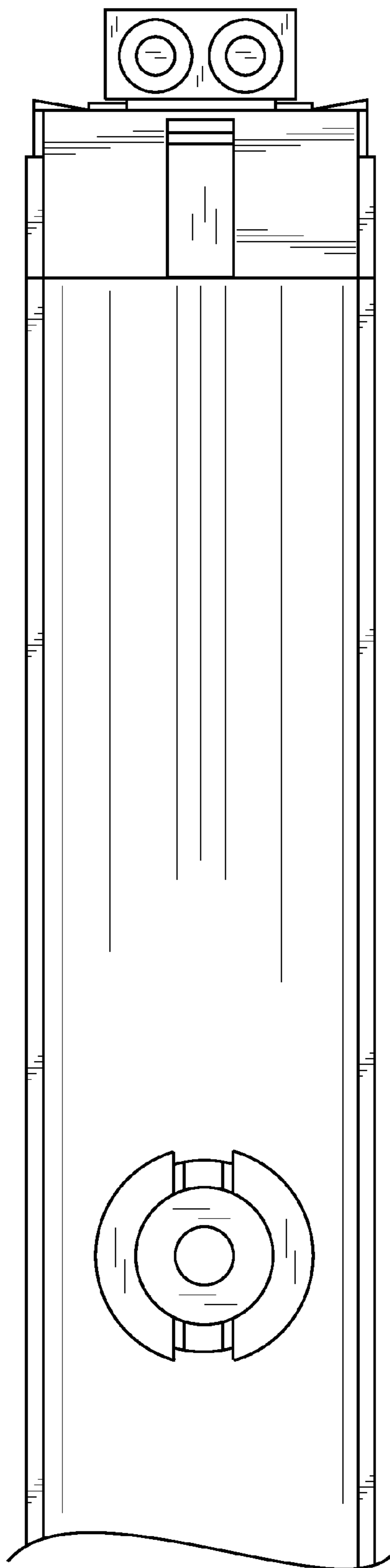


FIG. 9

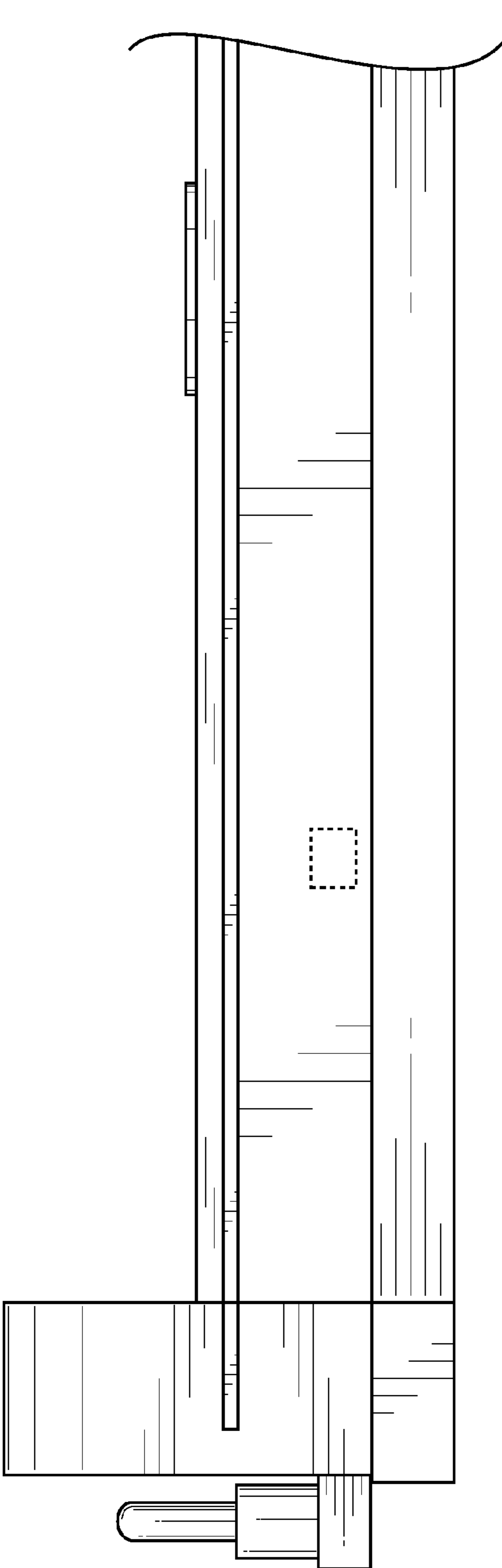


FIG. 10

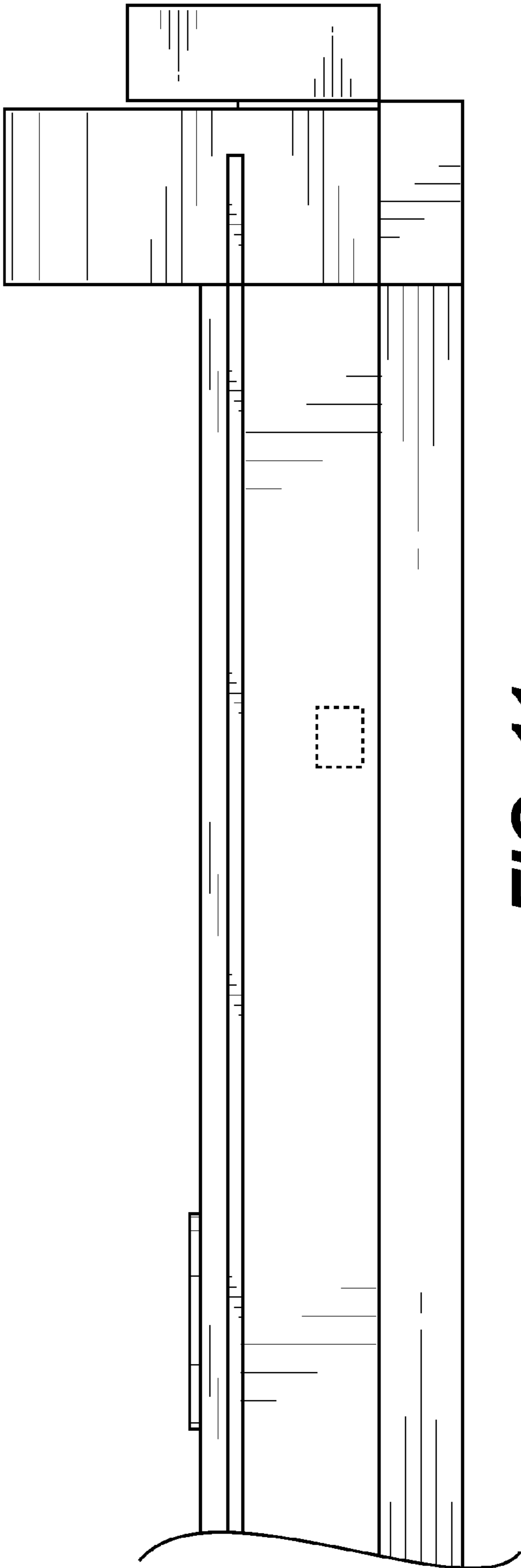


FIG. 11

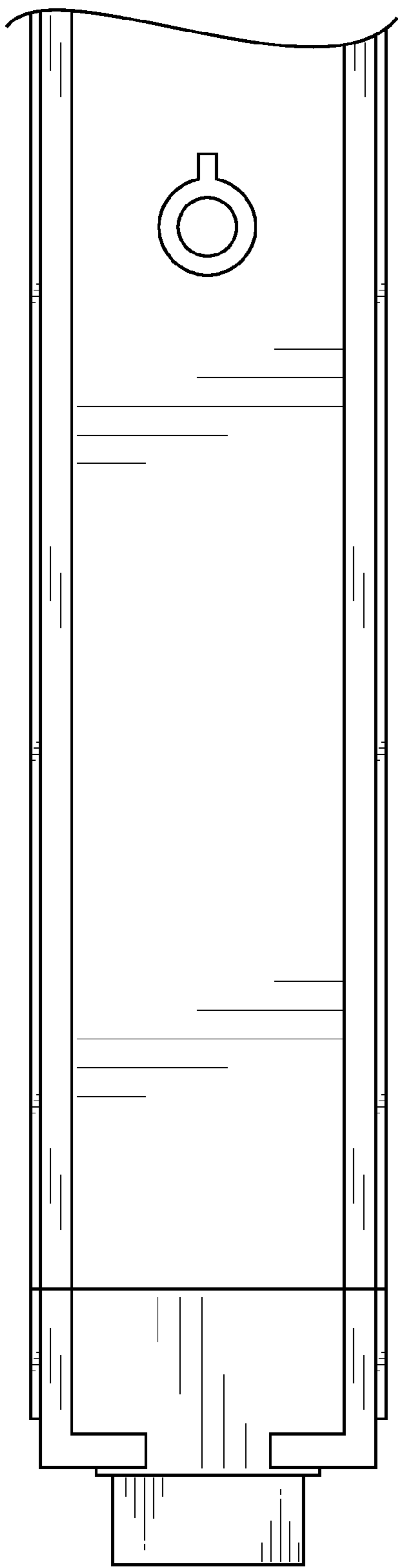


FIG. 12

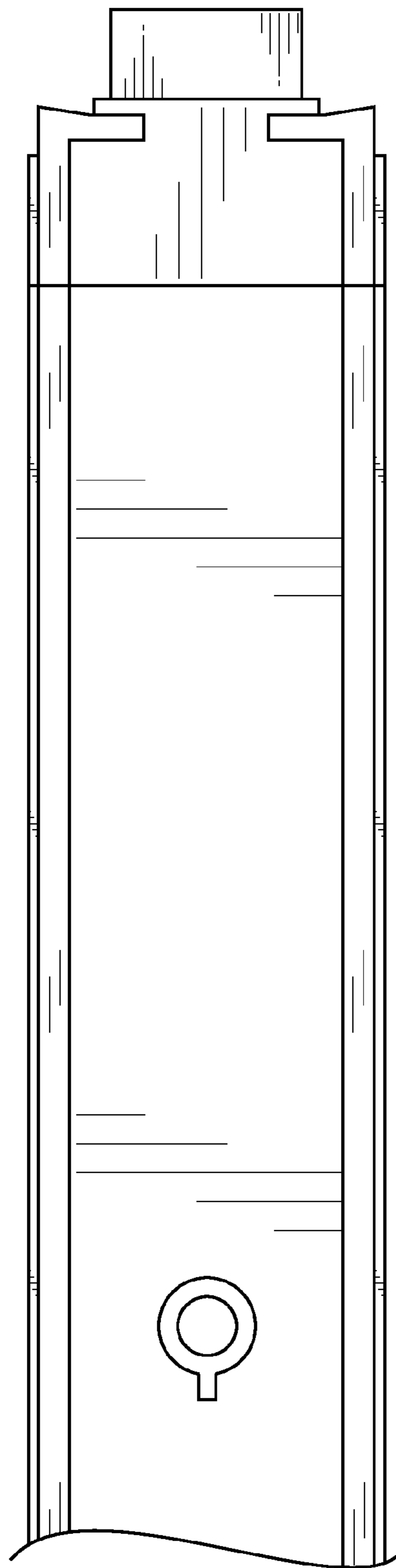


FIG. 13

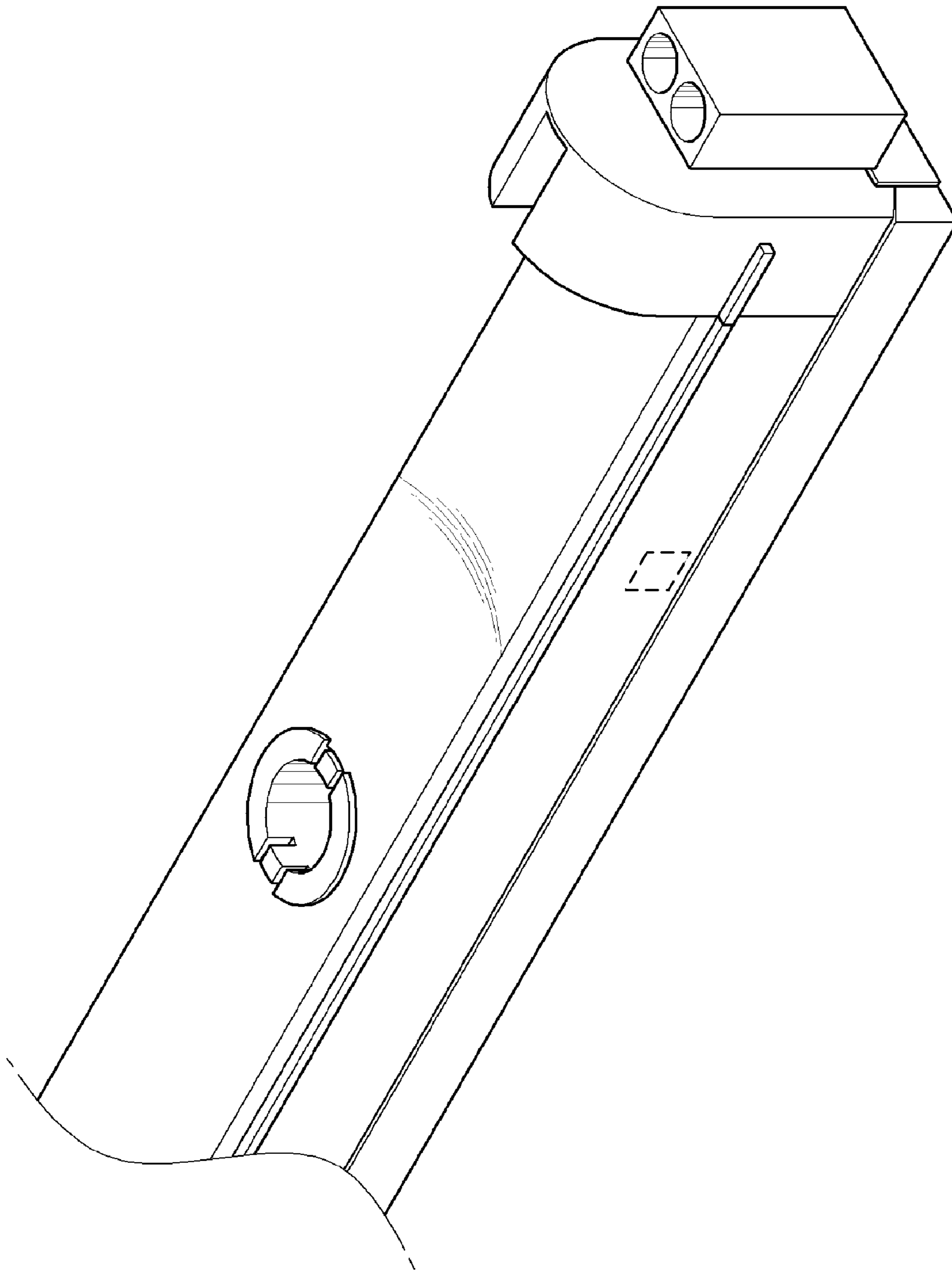


FIG. 14

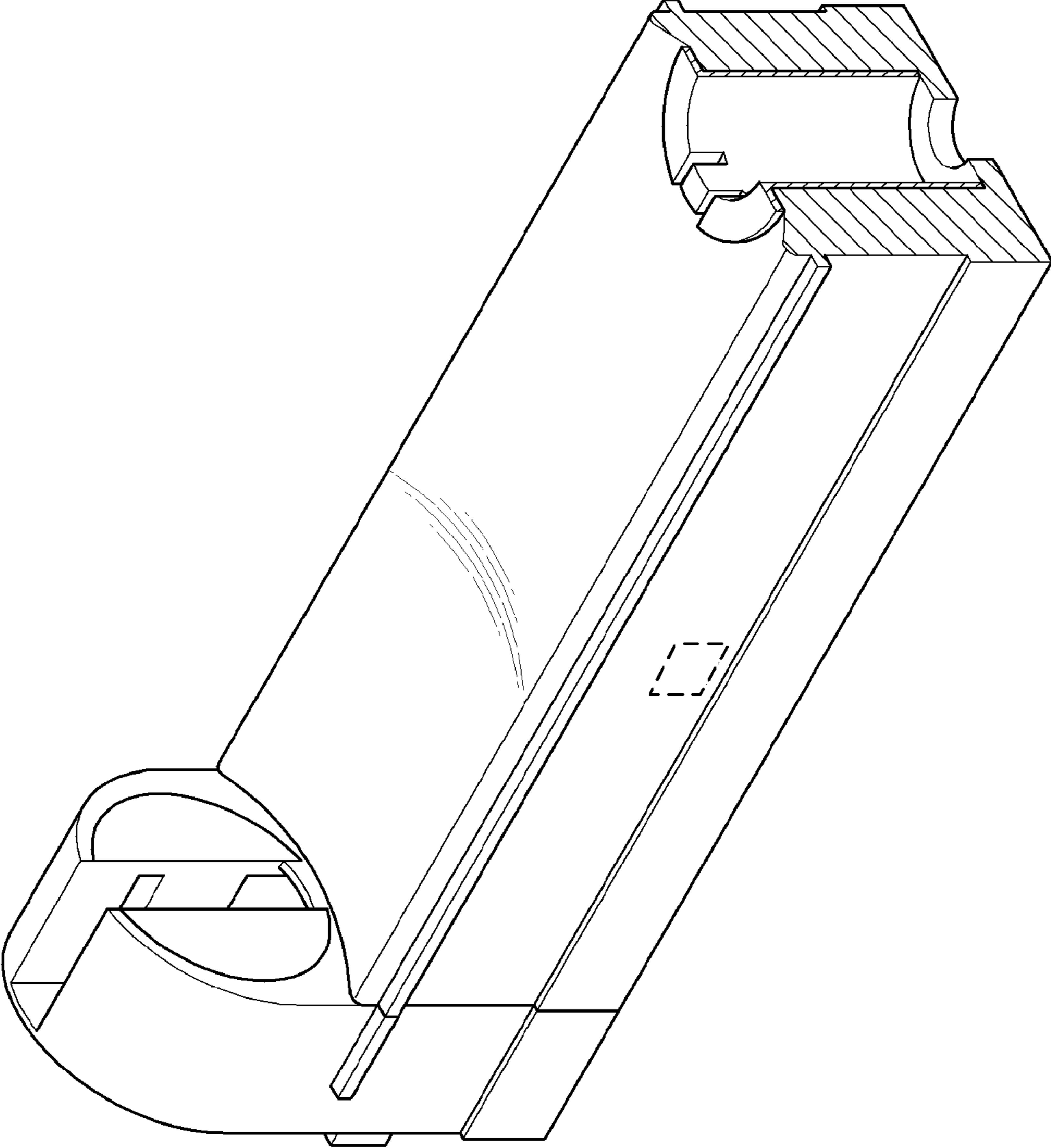


FIG. 15

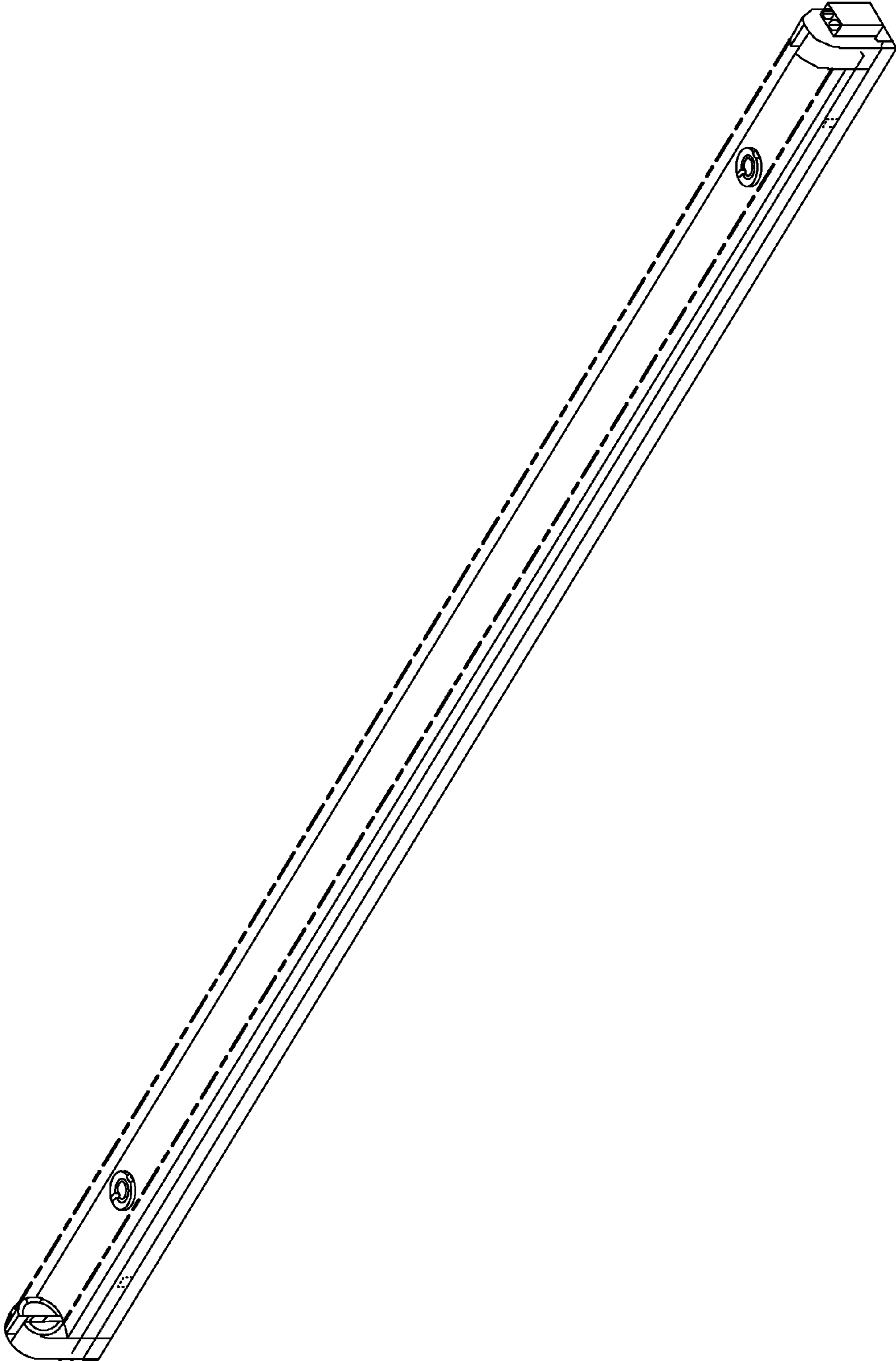


FIG. 16