



US00D608927S

(12) **United States Design Patent**  
**Hsu et al.**

(10) **Patent No.:** **US D608,927 S**  
(45) **Date of Patent:** **\*\* Jan. 26, 2010**

(54) **LAMPSHADE FOR A STREET LAMP**

(75) Inventors: **Hsi-Chuan Hsu**, Taipei County (TW);  
**Sheng-Jia Sheu**, Taipei County (TW)

(73) Assignee: **Everlight Electronics Co., Ltd**, Taipei (TW)

(\*\*) Term: **14 Years**

(21) Appl. No.: **29/340,526**

(22) Filed: **Jul. 21, 2009**

**Related U.S. Application Data**

(63) Continuation of application No. 29/306,132, filed on Apr. 3, 2008, now Pat. No. Des. 600,846.

(51) **LOC (9) Cl.** ..... **26-05**

(52) **U.S. Cl.** ..... **D26/71**

(58) **Field of Classification Search** ..... D26/67-72,  
D26/85, 92; 362/145, 152, 183, 294, 373,  
362/414, 431, 545, 800

See application file for complete search history.

(56) **References Cited**

**U.S. PATENT DOCUMENTS**

D198,812 S *	8/1964	Pettengill	.....	D26/71
D209,081 S *	10/1967	Netland	.....	D26/71
D346,237 S *	4/1994	Schreder	.....	D26/71
D356,876 S *	3/1995	Waldmann	.....	D26/107
D389,262 S *	1/1998	Compton	.....	D26/67
D391,659 S *	3/1998	Gaskins et al.	.....	D26/71
D437,958 S *	2/2001	Doron et al.	.....	D26/71

6,784,357 B1 *	8/2004	Wang	.....	136/244
D570,521 S *	6/2008	Belleau	.....	D26/85
D580,582 S *	11/2008	Fan	.....	D26/71
2004/0196653 A1 *	10/2004	Clark et al.	.....	362/183
2006/0250803 A1 *	11/2006	Chen	.....	362/373

\* cited by examiner

*Primary Examiner*—Clare E Heflin

(74) *Attorney, Agent, or Firm*—Jianq Chyun IP Office

(57) **CLAIM**

The ornamental design for a lampshade for a street lamp, as shown and described.

**DESCRIPTION**

FIG. 1 is a perspective view of a lampshade for a street lamp showing our new design;

FIG. 2 is a front view thereof;

FIG. 3 is a rear view thereof;

FIG. 4 is a right side view thereof, the left side view being a mirror image of the right side view;

FIG. 5 is a top view thereof;

FIG. 6 is a bottom view thereof;

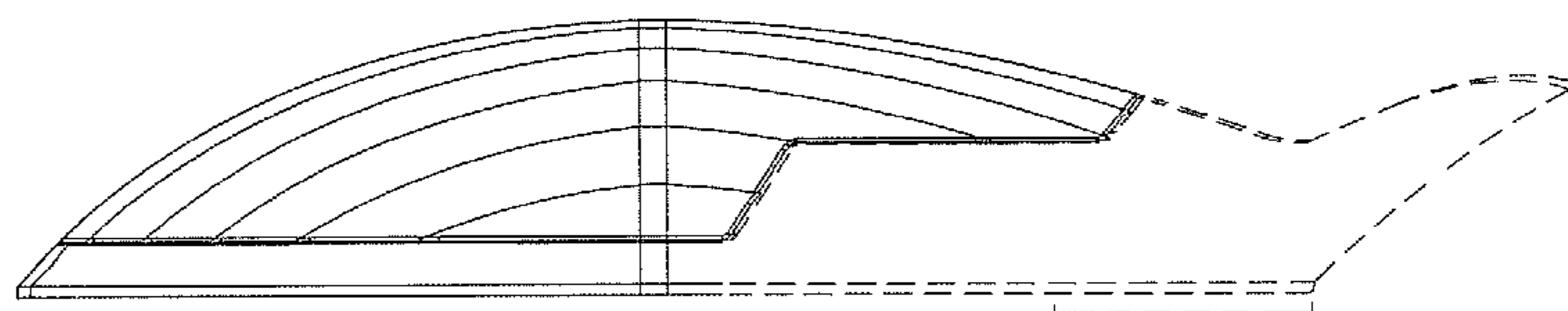
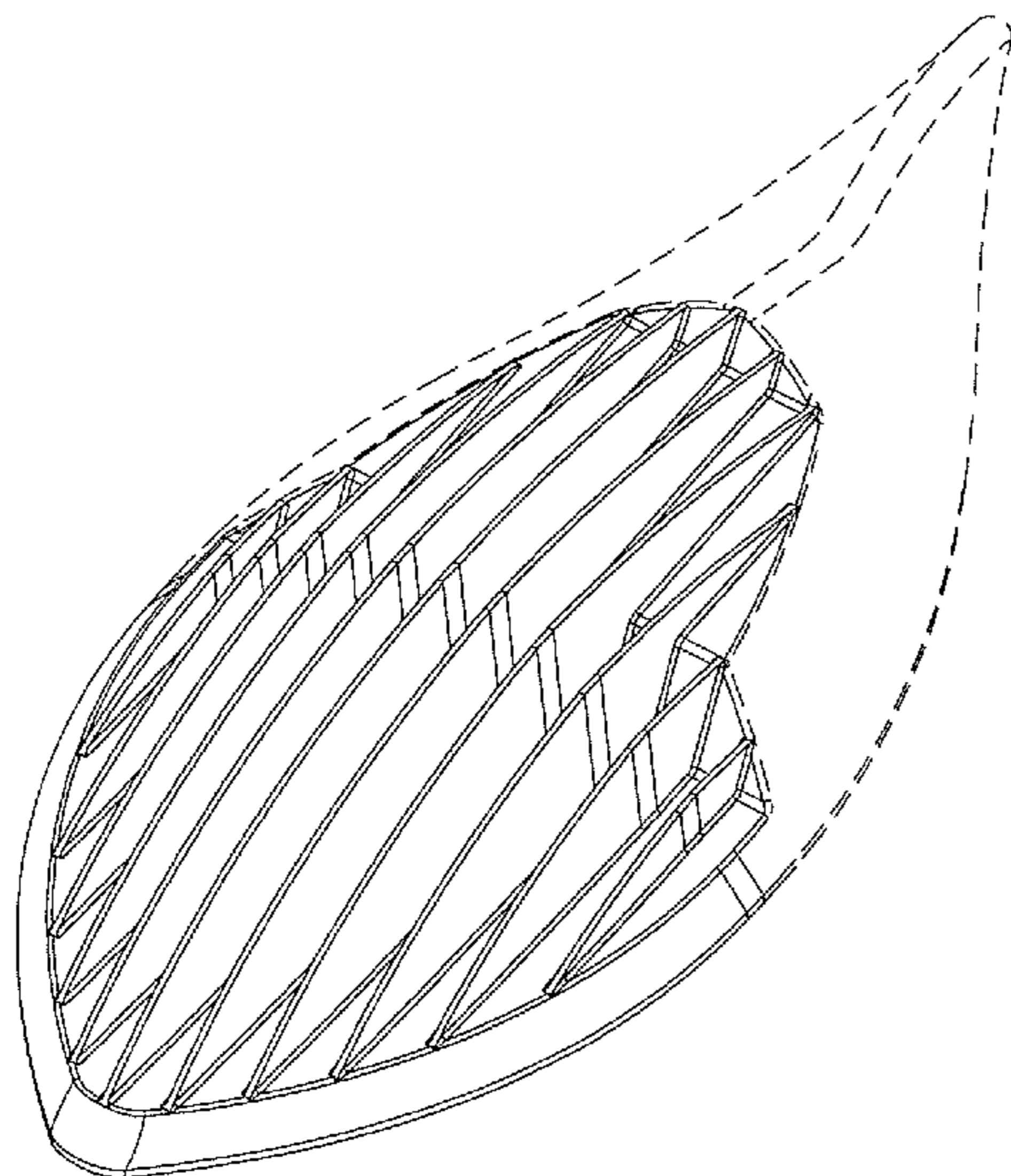
FIG. 7 is another perspective view thereof;

FIG. 8 is a perspective reference view thereof in use; and,

FIG. 9 is another perspective reference view thereof in use.

The broken lines shown on the drawings depict environment only and form no part of the claimed design.

**1 Claim, 8 Drawing Sheets**



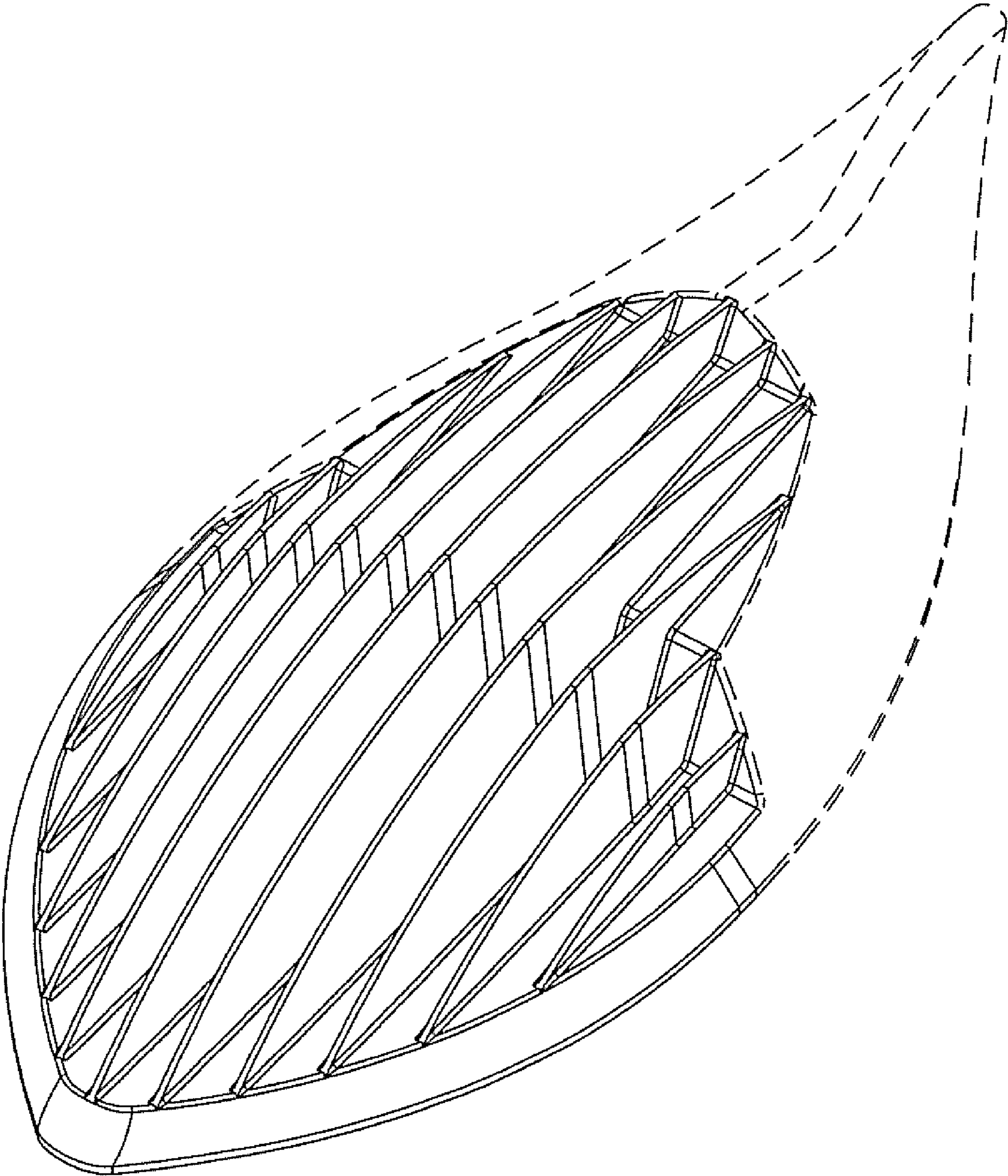


FIG. 1

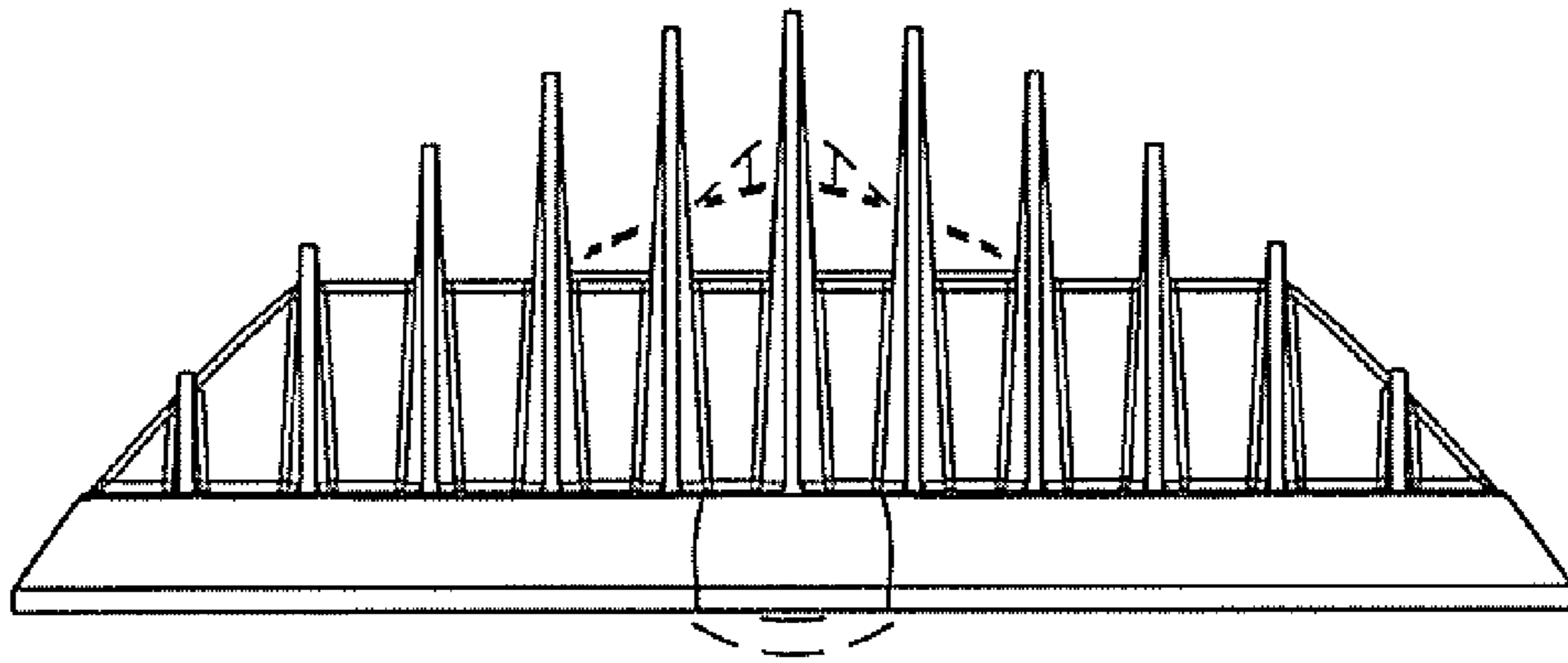


FIG. 2

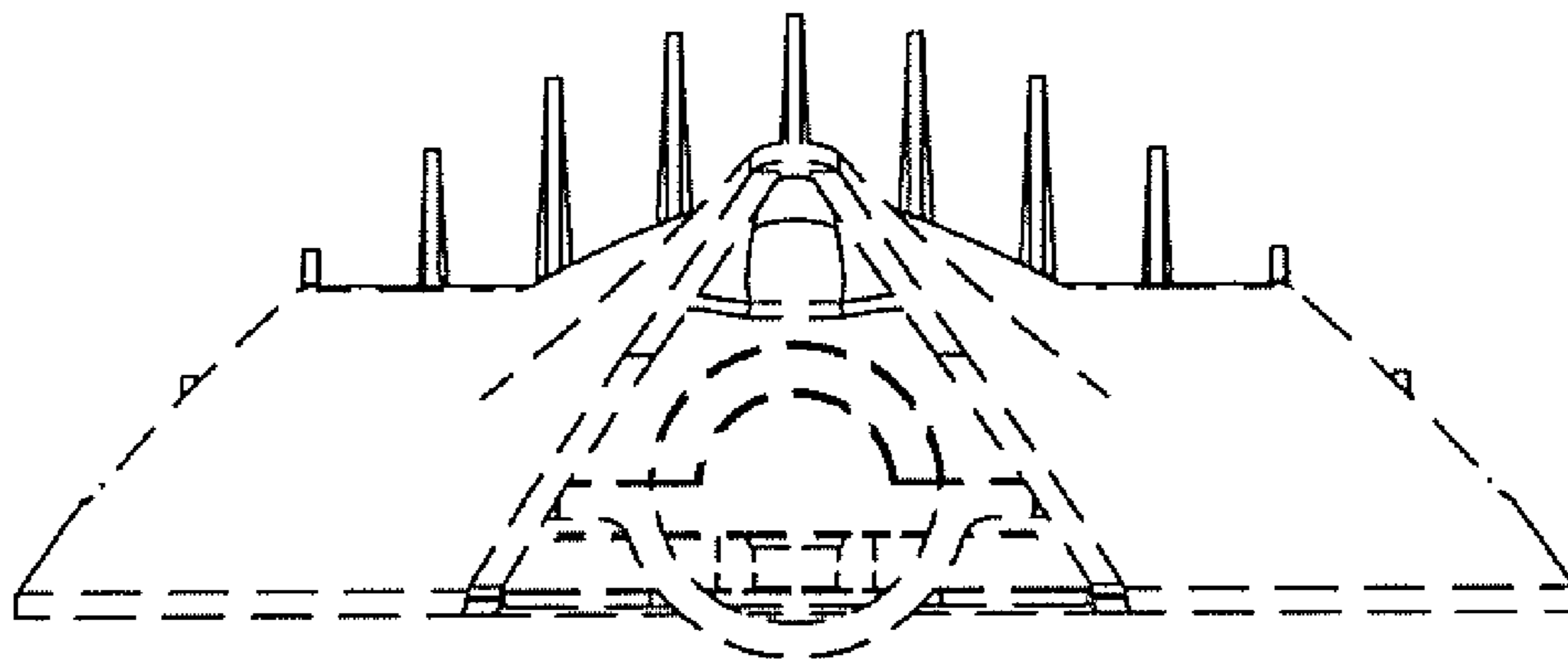


FIG. 3

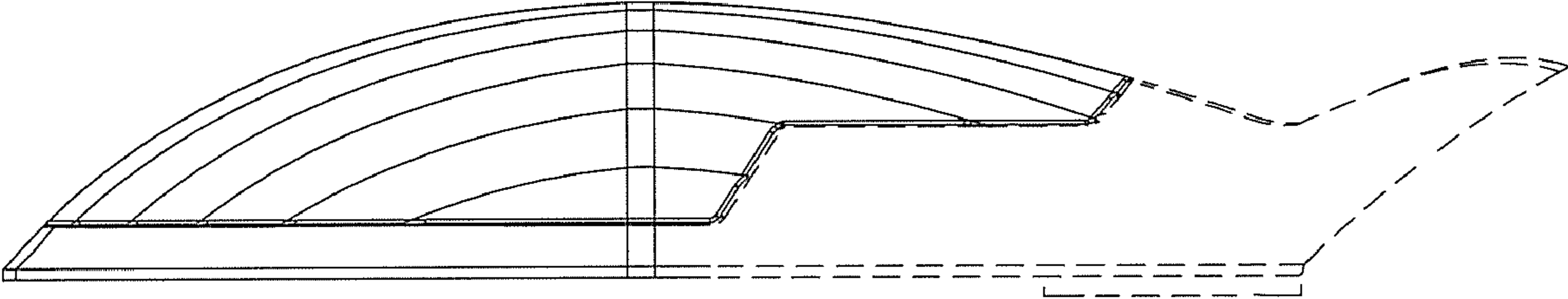


FIG. 4

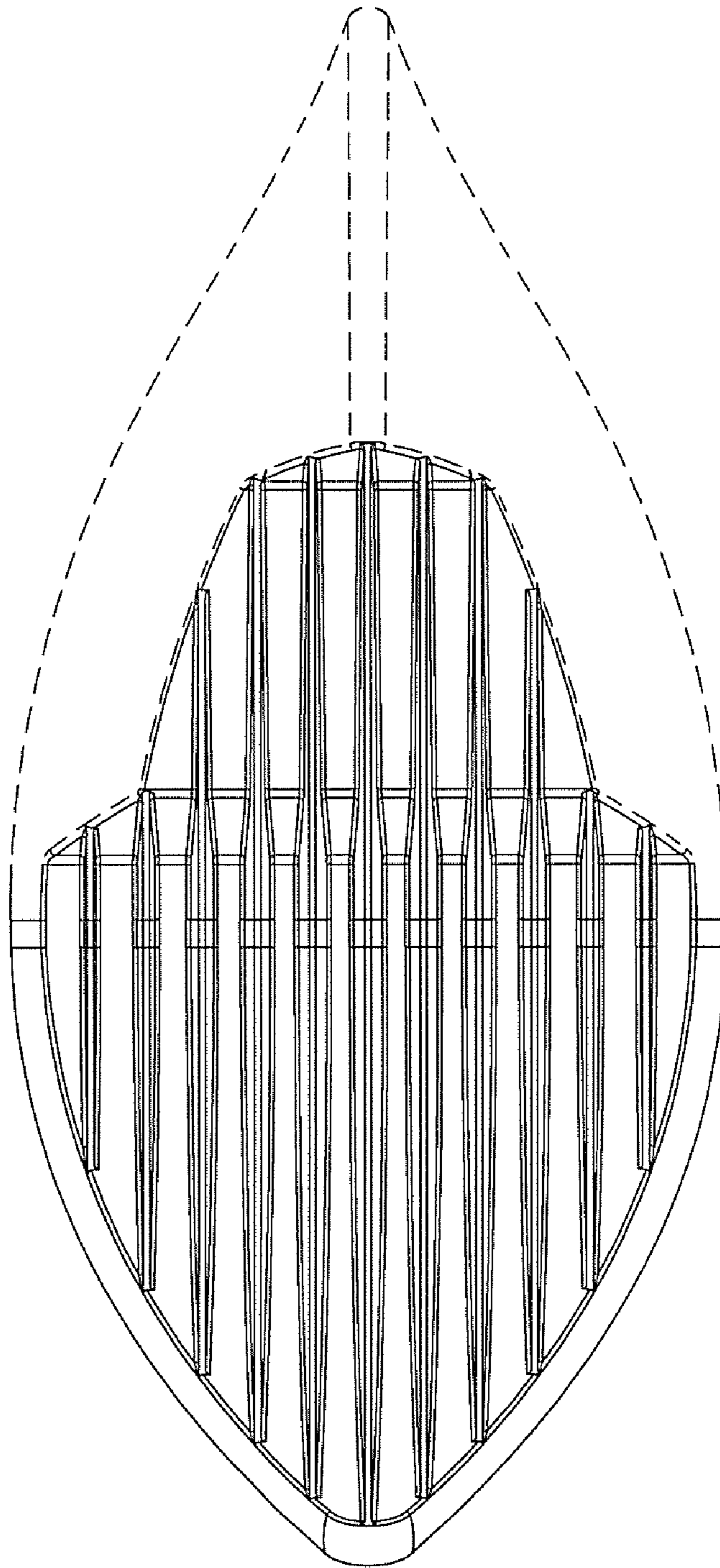


FIG. 5

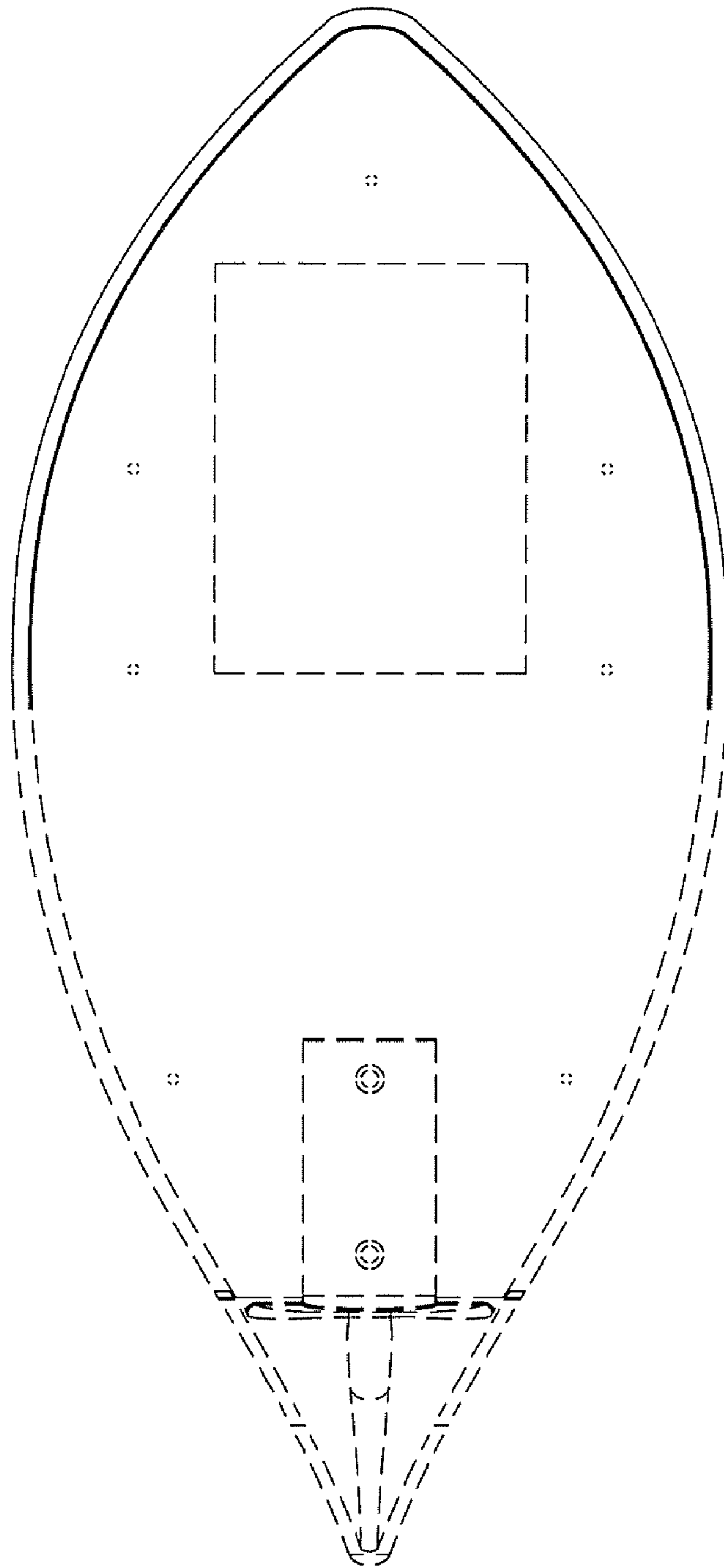


FIG. 6

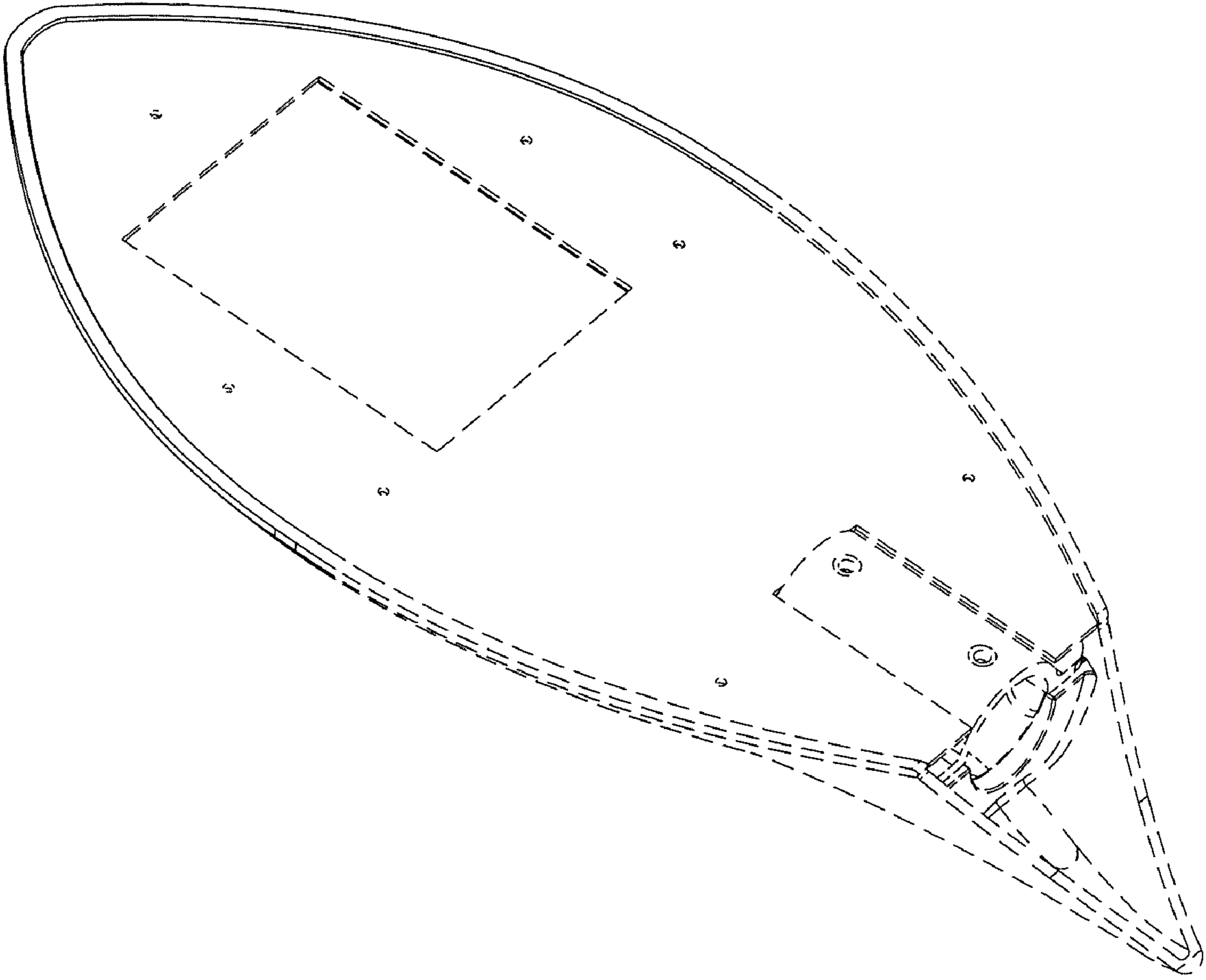


FIG. 7

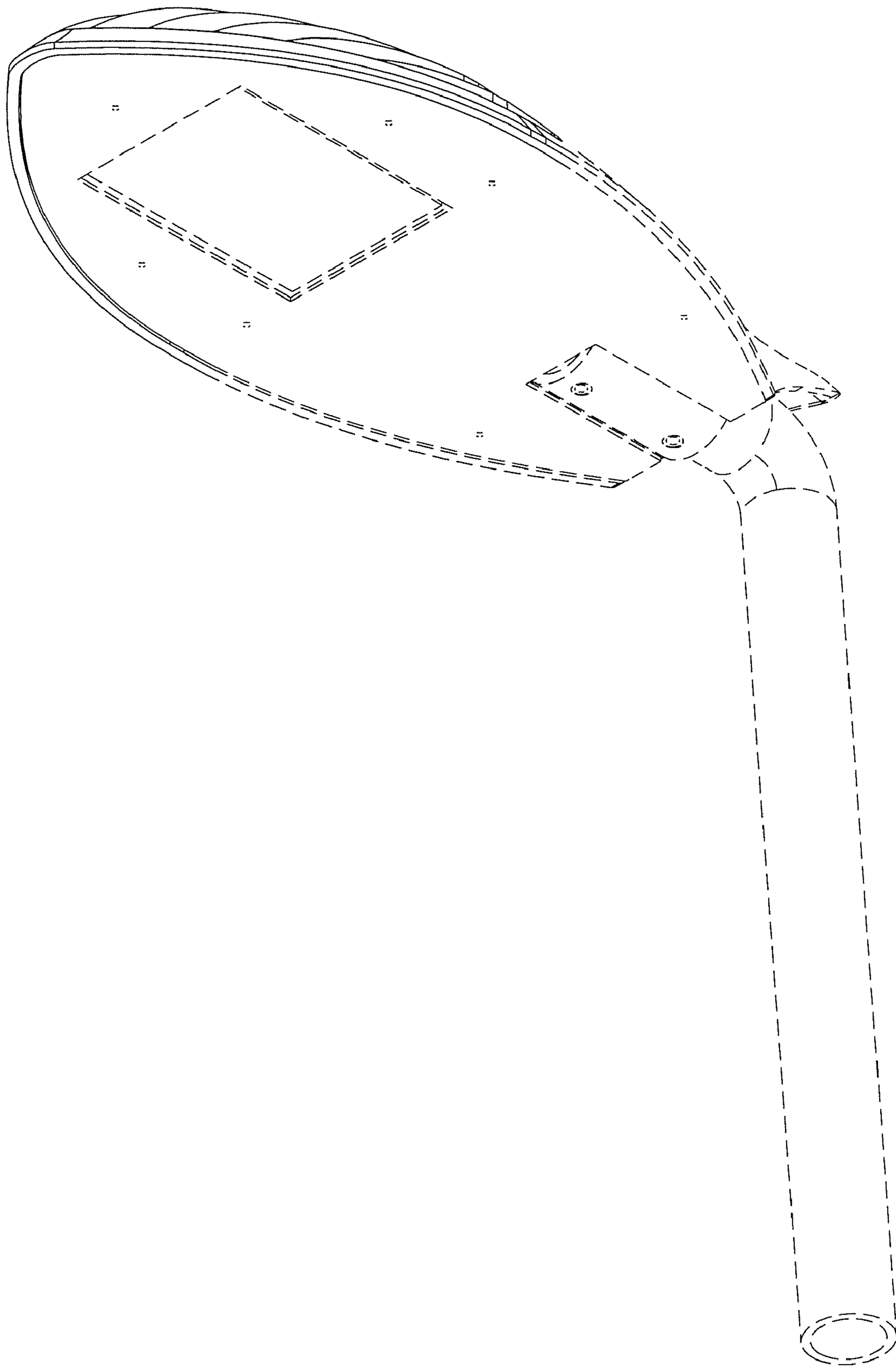


FIG. 8



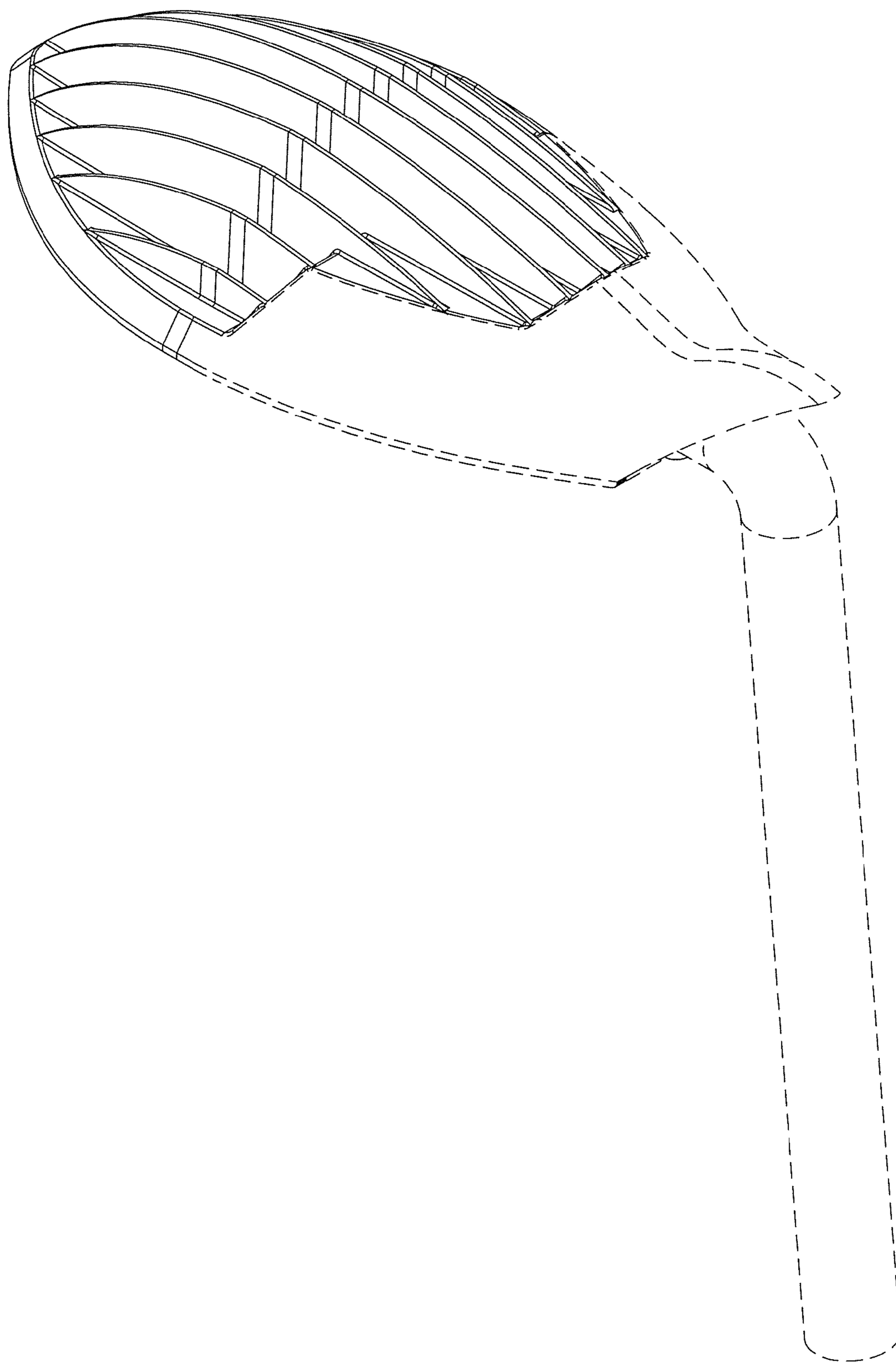


FIG. 9