



US00D608926S

(12) **United States Design Patent**  
**Xiao et al.**

(10) **Patent No.:** **US D608,926 S**

(45) **Date of Patent:** **\*\* Jan. 26, 2010**

(54) **LED LAMP**

(75) Inventors: **Xin-Jian Xiao**, Shenzhen (CN);  
**Shih-Hsun Wung**, Taipei Hsien (TW)

(73) Assignee: **Foxconn Technology Co., Ltd.**,  
Tu-Cheng, Taipei Hsien (TW)

(\*\*) Term: **14 Years**

(21) Appl. No.: **29/320,155**

(22) Filed: **Jun. 23, 2008**

(51) **LOC (9) Cl.** ..... **26-05**

(52) **U.S. Cl.** ..... **D26/71**

(58) **Field of Classification Search** ..... D26/67-72,  
D26/85, 92; 362/145, 152, 183, 294, 373,  
362/414, 431, 545

See application file for complete search history.

(56) **References Cited**

U.S. PATENT DOCUMENTS

D195,310	S	*	5/1963	Zagel	.....	D26/70
D207,551	S	*	5/1967	Spaulding et al.	.....	D26/71
5,595,440	A	*	1/1997	Gordin et al.	.....	362/247
D582,594	S	*	12/2008	Zhou et al.	.....	D26/69
D598,157	S	*	8/2009	Zhou et al.	.....	D26/69
D598,597	S	*	8/2009	Lu et al.	.....	D26/68
D598,598	S	*	8/2009	Zhou et al.	.....	D26/68

D598,599	S	*	8/2009	Zhou et al.	.....	D26/69
D599,048	S	*	8/2009	Xiao et al.	.....	D26/68
2008/0174456	A1	*	7/2008	Warren	.....	362/183

\* cited by examiner

*Primary Examiner*—Clare E Heflin

(74) *Attorney, Agent, or Firm*—Frank R. Niranjan

(57) **CLAIM**

The ornamental design for an LED lamp, as shown and described.

**DESCRIPTION**

FIG. 1 is a perspective view of an LED lamp showing our new design;

FIG. 2 is a front elevational view thereof;

FIG. 3 is a rear elevational view thereof;

FIG. 4 is a left-side, elevational view thereof;

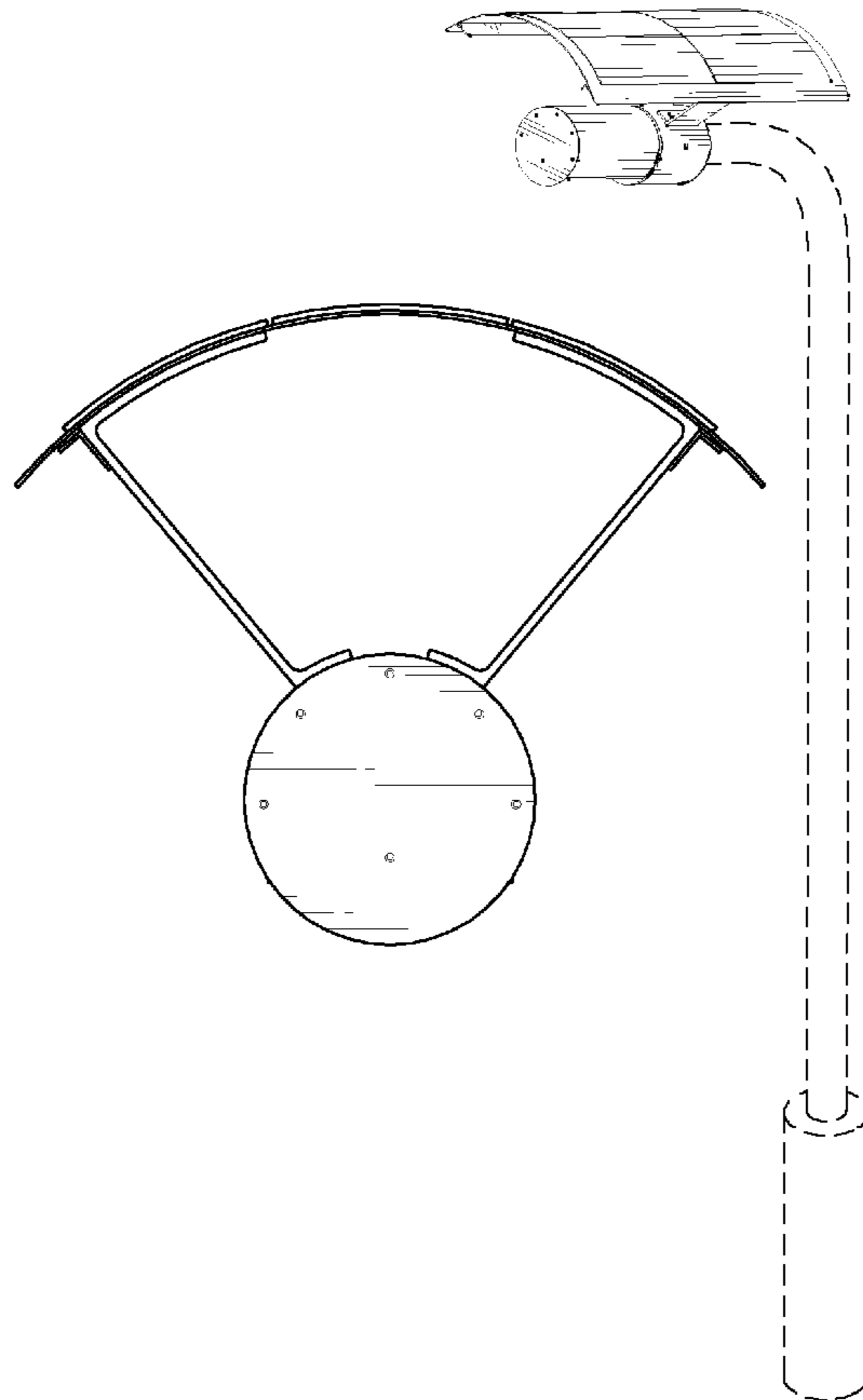
FIG. 5 is a right-side, elevational view thereof;

FIG. 6 is a top plan view thereof;

FIG. 7 is a bottom plan view thereof; and,

FIG. 8 is a perspective view showing the LED lamp mounted on a supporting post which is illustrated in broken lines and forms no part of the claimed design.

**1 Claim, 8 Drawing Sheets**



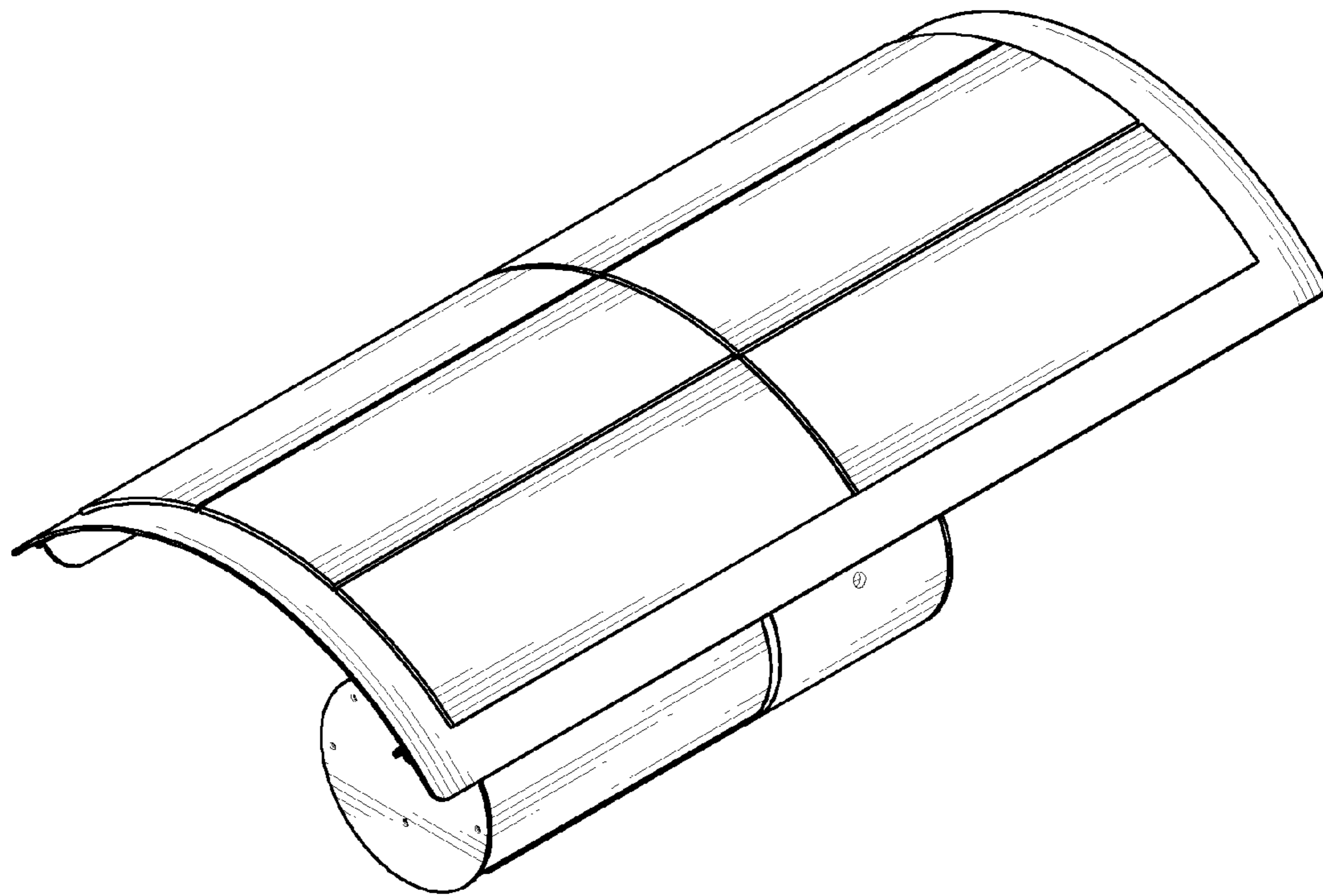


FIG. 1

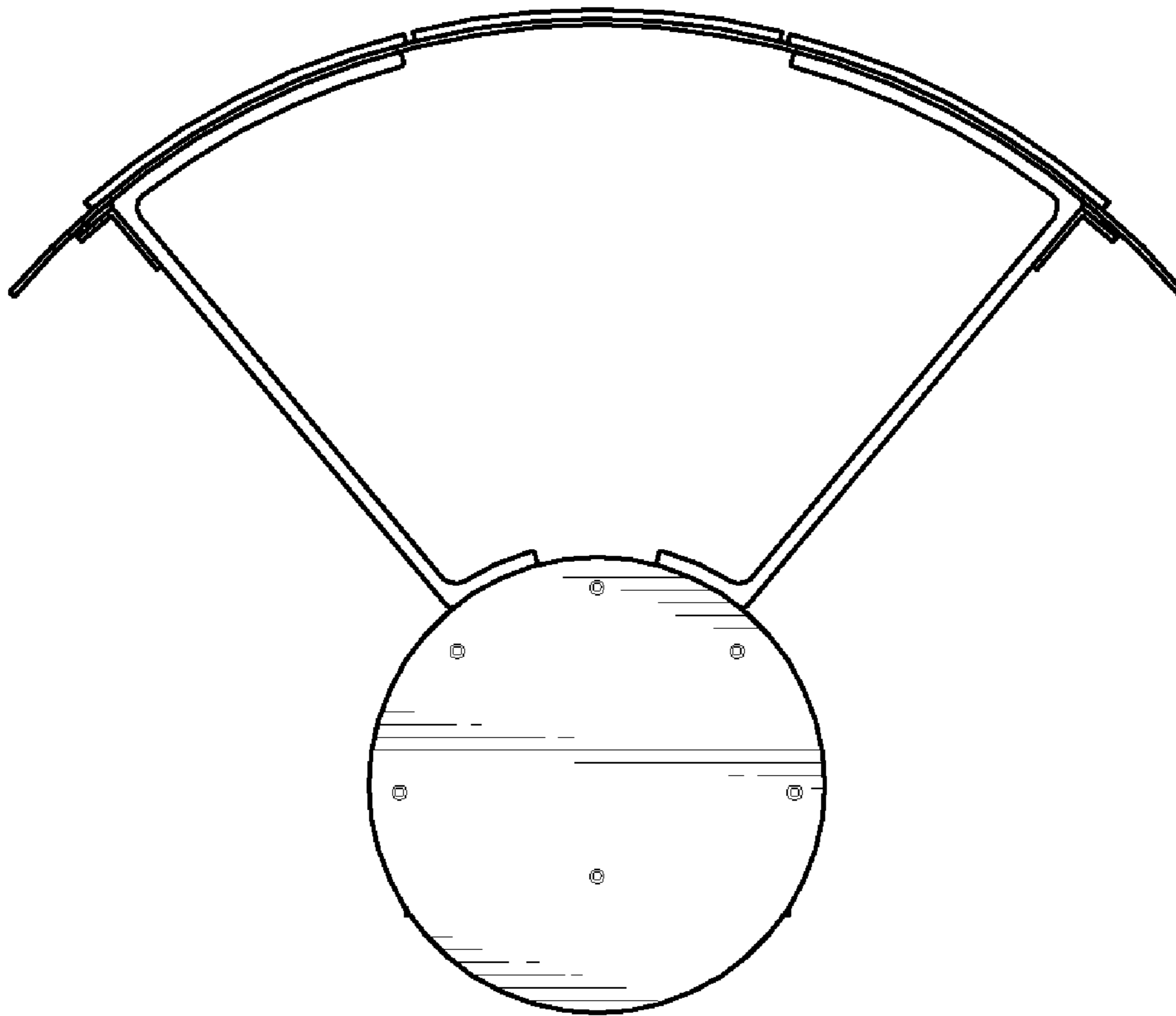


FIG. 2

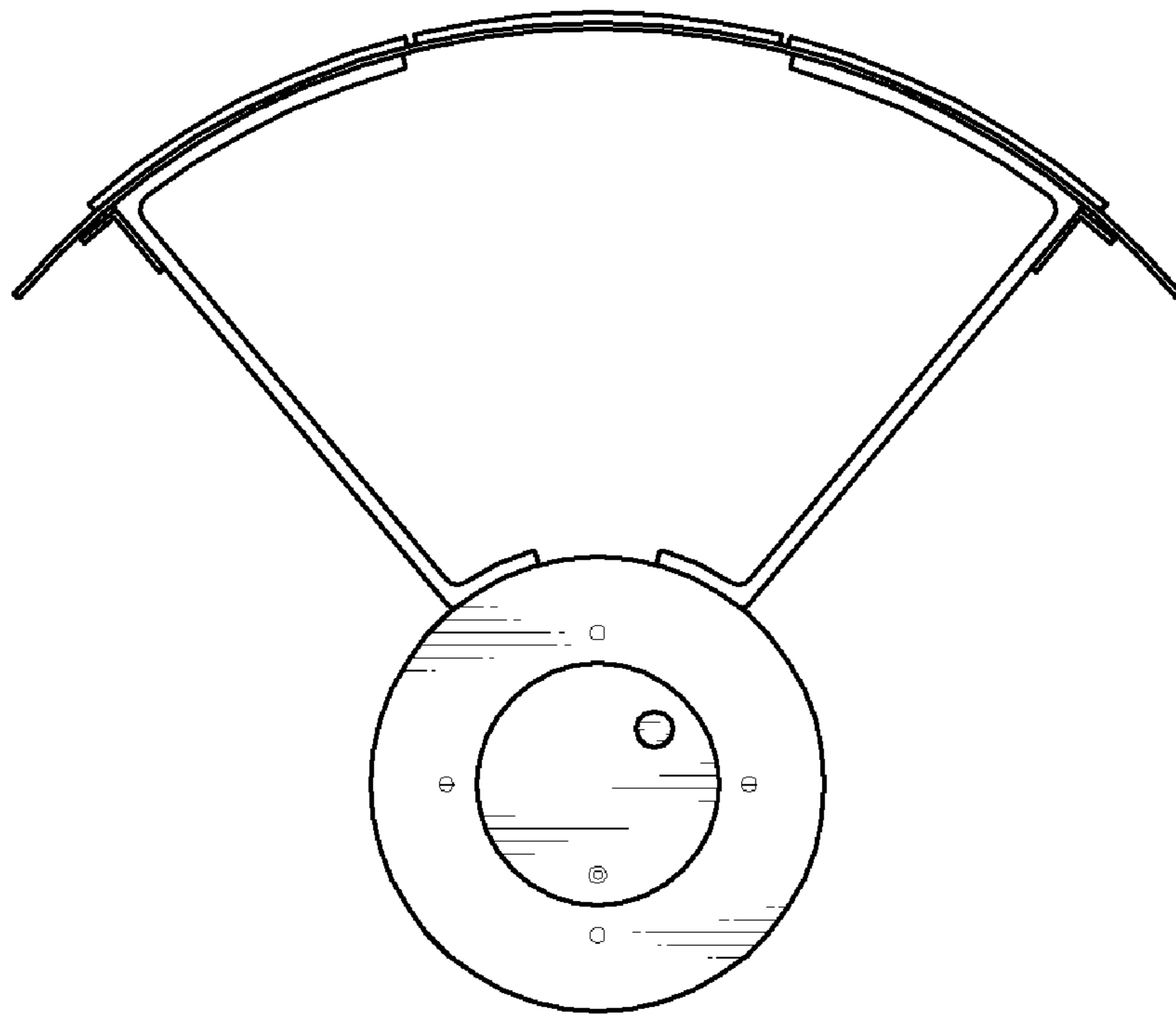


FIG. 3

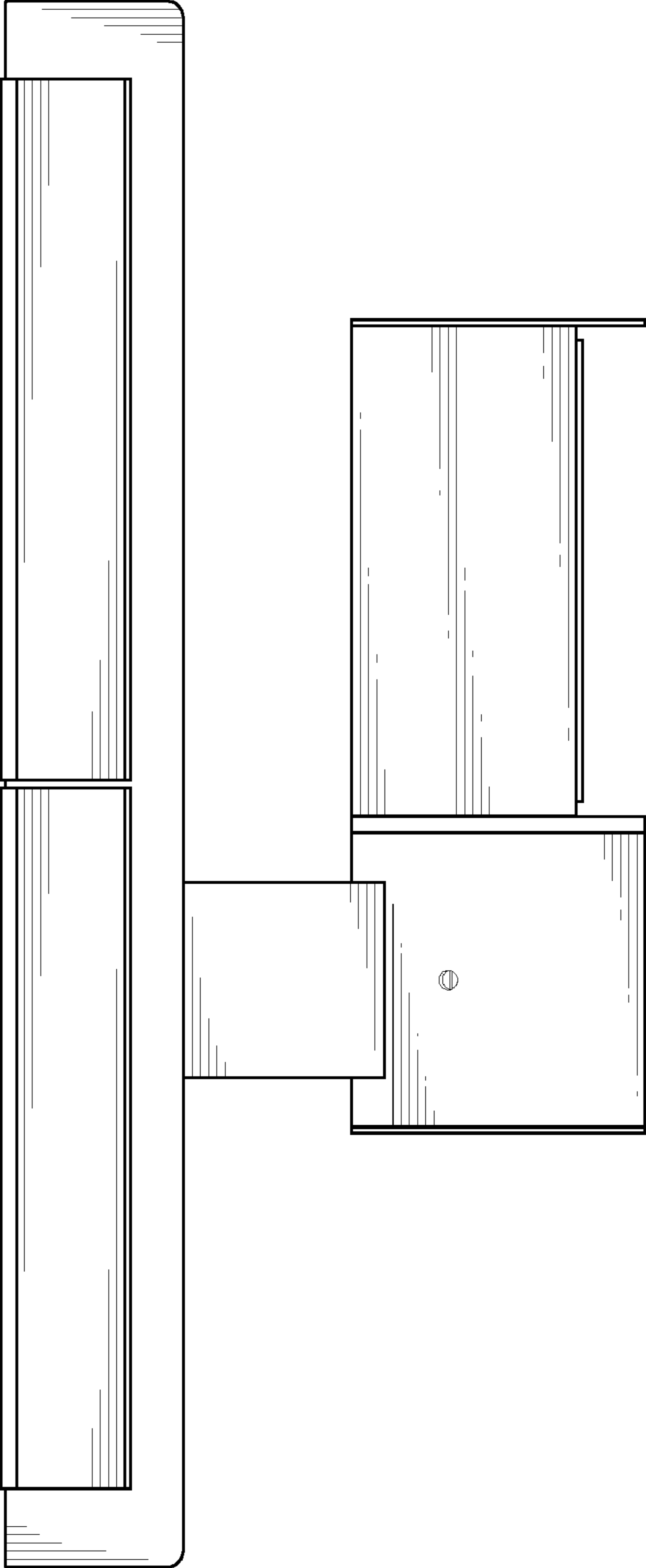


FIG. 4

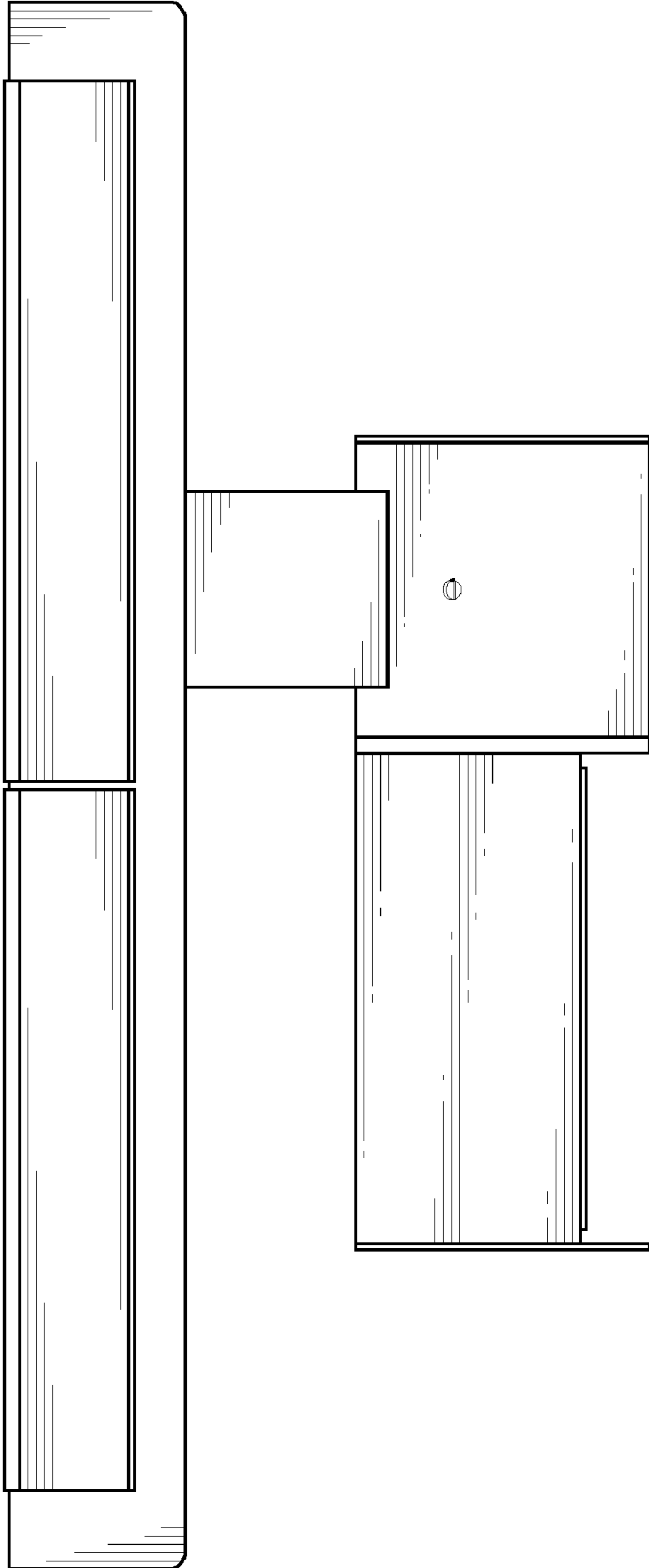


FIG. 5

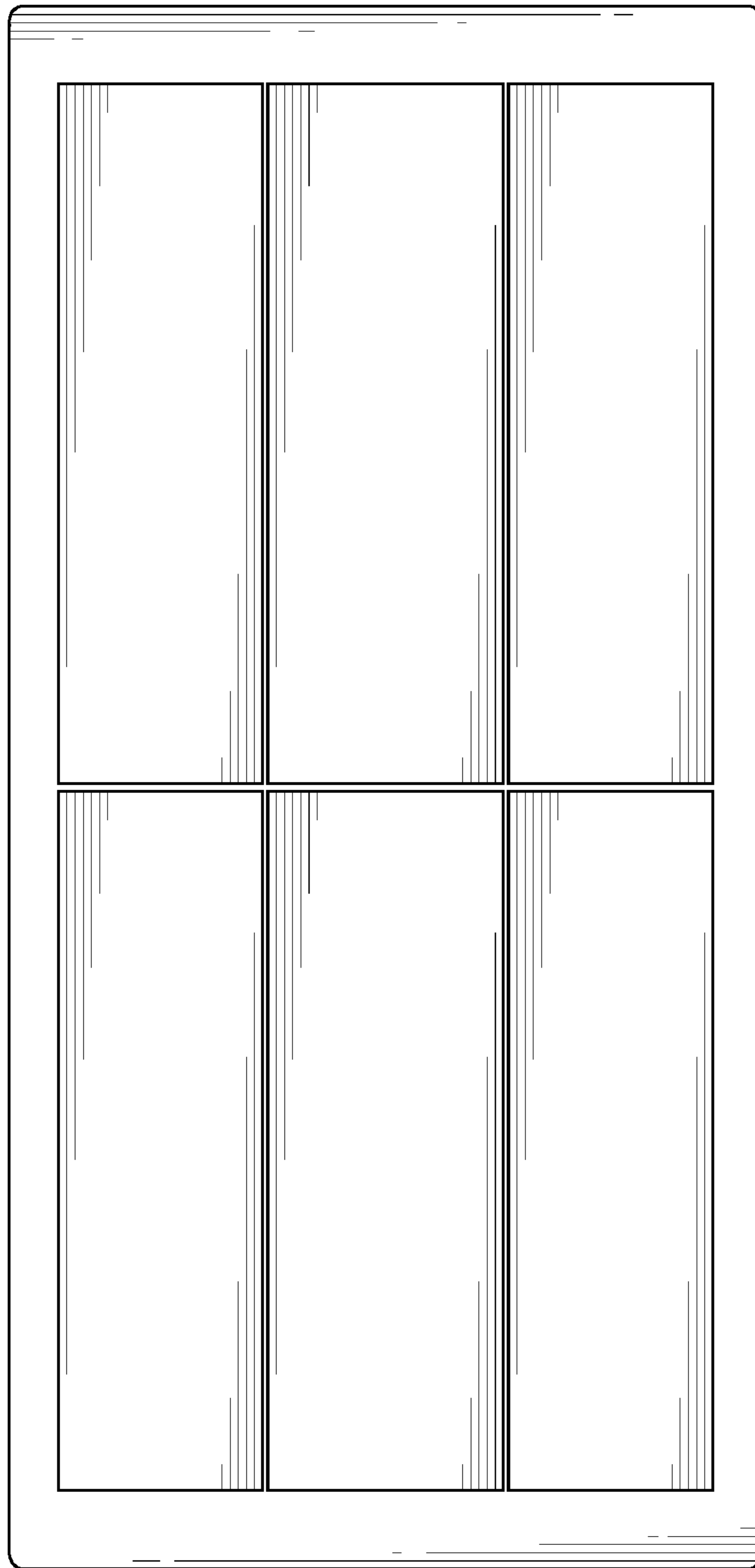


FIG. 6

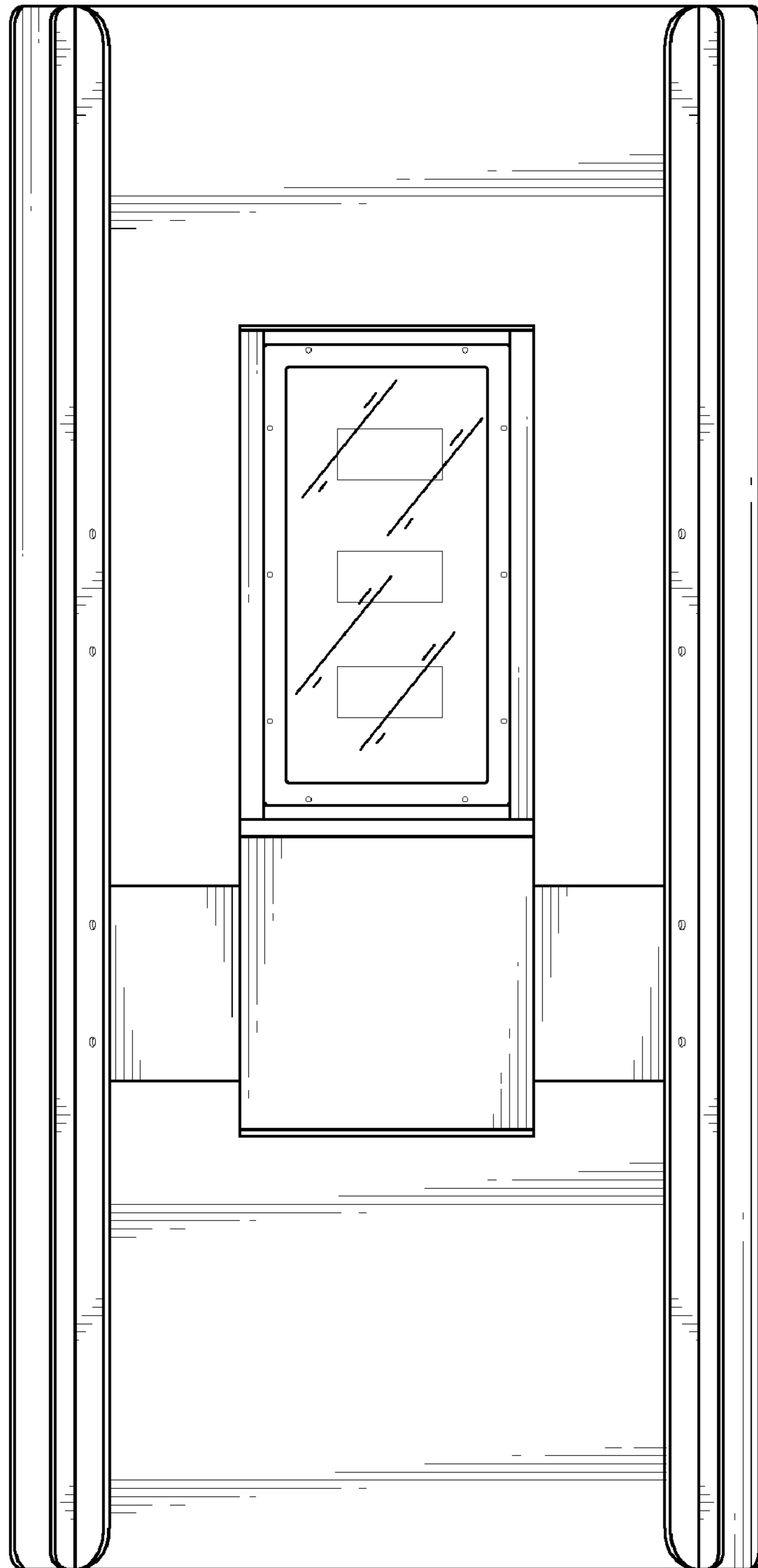


FIG. 7





FIG. 8