



US00D608925S

(12) **United States Design Patent**  
**Hodgson**

(10) **Patent No.:** **US D608,925 S**  
(45) **Date of Patent:** **\*\* Jan. 26, 2010**

(54) **LAMP**

(75) Inventor: **Fraser Milbourne Hodgson**, London  
(GB)

(73) Assignee: **The Daylight Company (Holdings)**  
**Limited** (GB)

(\*\*) Term: **14 Years**

(21) Appl. No.: **29/322,568**

(22) Filed: **Aug. 7, 2008**

(30) **Foreign Application Priority Data**

Aug. 2, 2008 (EM) ..... 000878160

(51) **LOC (9) Cl.** ..... **26-02**

(52) **U.S. Cl.** ..... **D26/62**

(58) **Field of Classification Search** ..... D26/43,  
D26/51, 56, 60-66, 72, 93, 107, 118, 128;  
D24/210; 362/147, 191, 230, 231, 232, 238,  
362/239, 250, 254, 255, 265, 269, 270, 275,  
362/277, 278, 280-288, 306, 310, 311, 362,  
362/396, 404, 410-414, 418-430, 449, 640,  
362/647, 648, 652, 653, 655, 804, 99; 439/122  
See application file for complete search history.

(56) **References Cited**

**U.S. PATENT DOCUMENTS**

D386,272 S \* 11/1997 Brown ..... D26/62  
D411,638 S \* 6/1999 Schaak et al. .... D26/62

D448,104 S \* 9/2001 Weitzman et al. .... D26/65  
D457,672 S \* 5/2002 Tsai ..... D26/62  
D521,673 S \* 5/2006 Wu ..... D26/65  
D522,157 S \* 5/2006 Schnell ..... D26/60  
D522,162 S \* 5/2006 Wu ..... D26/65  
D528,691 S \* 9/2006 Waldmann ..... D26/65  
D559,431 S \* 1/2008 Mota Veiga et al. .... D26/118  
D563,581 S \* 3/2008 Niu ..... D26/62  
D570,521 S \* 6/2008 Belleau ..... D26/85

\* cited by examiner

*Primary Examiner*—Cathron C Brooks

*Assistant Examiner*—Barbara Fox

(74) *Attorney, Agent, or Firm*—Lawrence E. Laubscher, Jr.

(57) **CLAIM**

The ornamental design for a lamp, as shown and described.

**DESCRIPTION**

FIG. 1 is a front perspective view of the invention illustrating my design;

FIG. 2 is a front elevation view thereof;

FIG. 3 is a rear elevation view thereof;

FIG. 4 is a left side elevation view thereof;

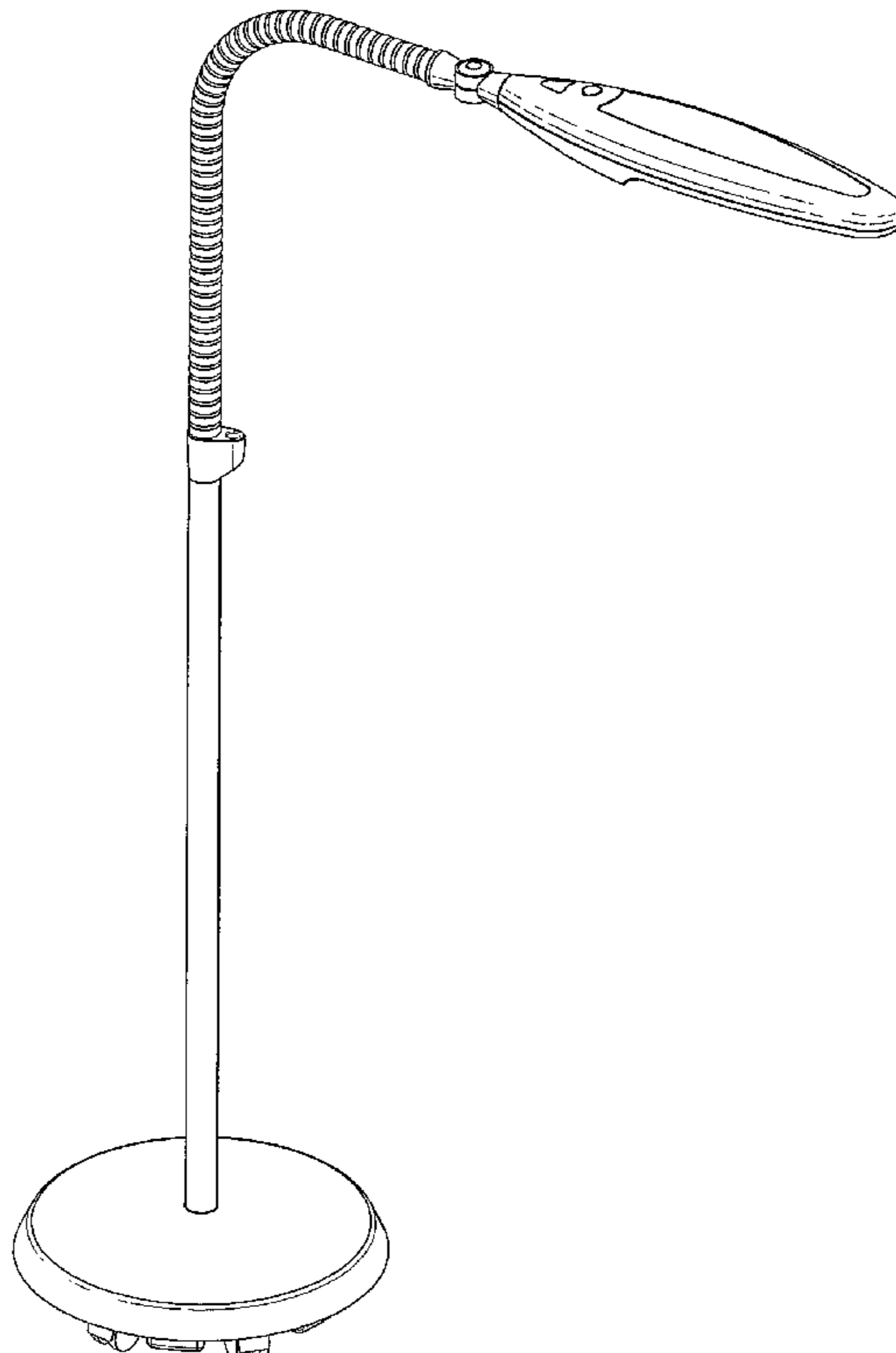
FIG. 5 is a right side elevation view thereof;

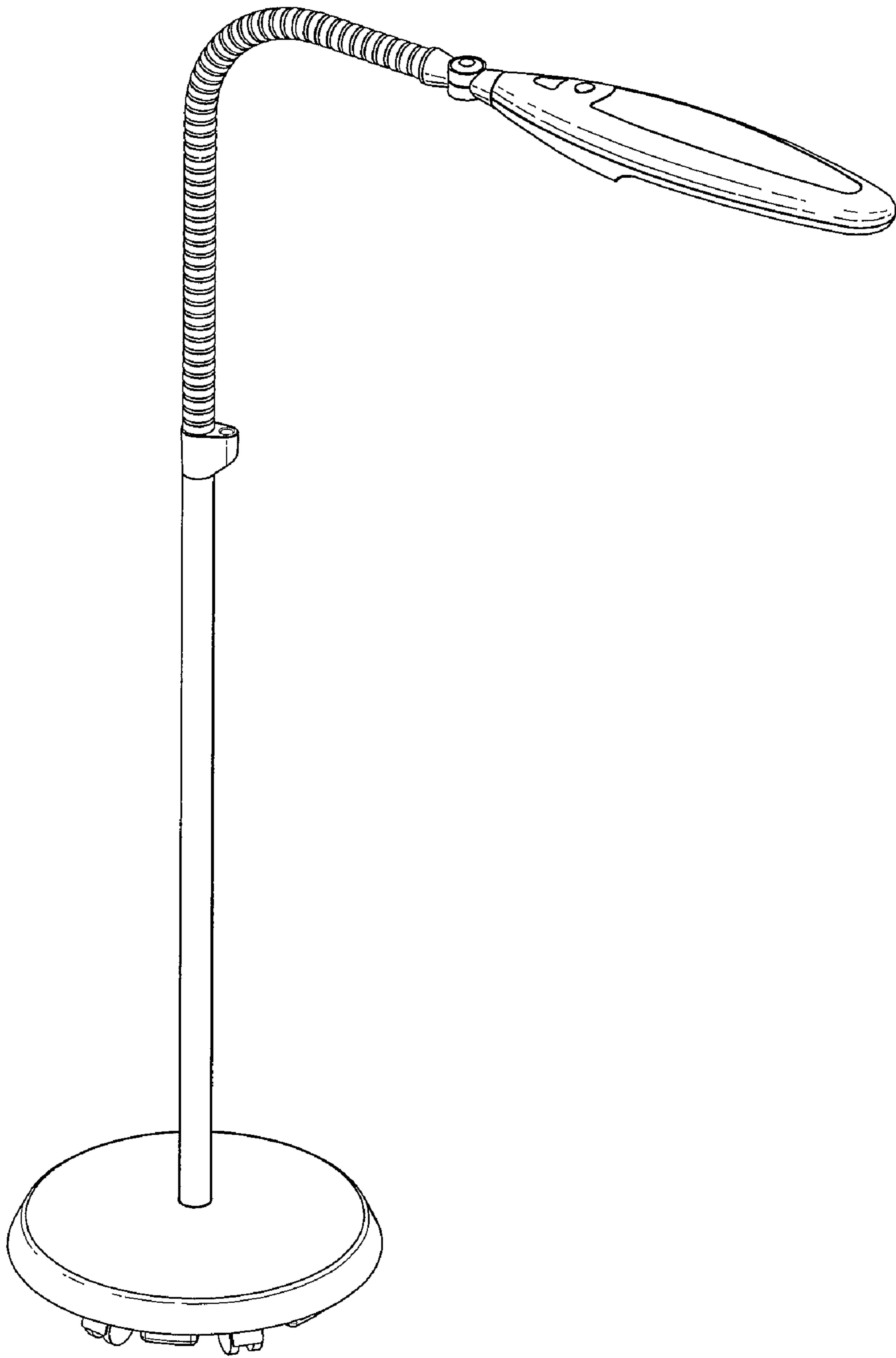
FIG. 6 is a top elevation view thereof; and,

FIG. 7 is a bottom elevation view thereof.

The broken lines shown in FIG. 7 illustrate unclaimed portions of the article and form no part of the claimed design.

**1 Claim, 6 Drawing Sheets**





*FIG. 1*

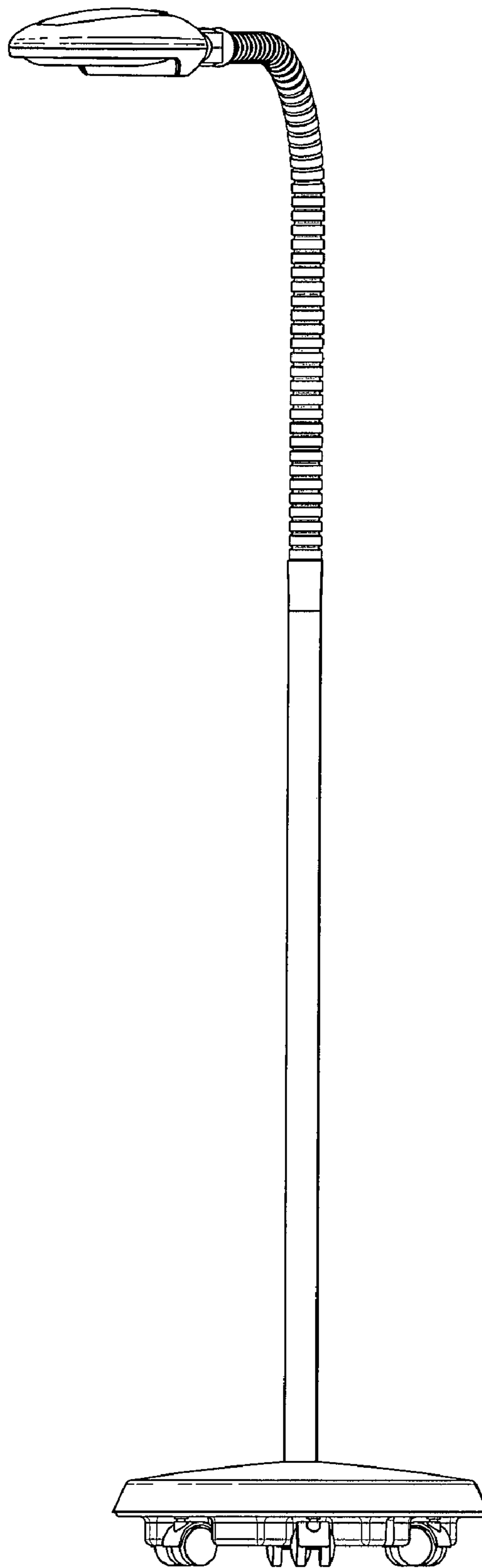


FIG. 2

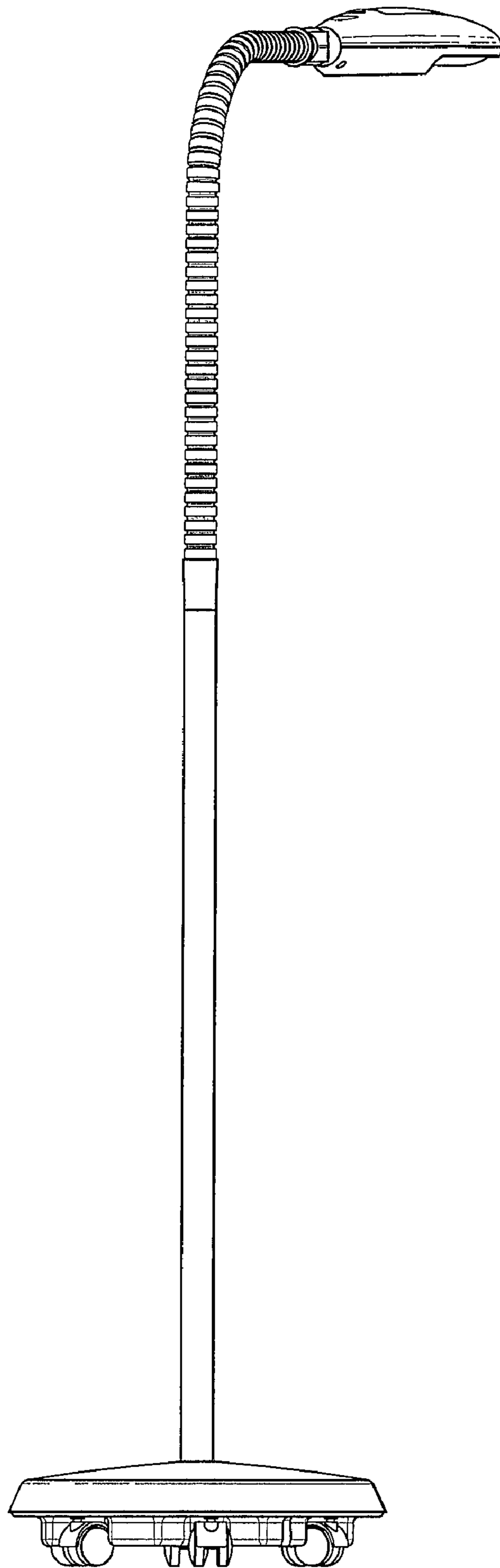


FIG. 3

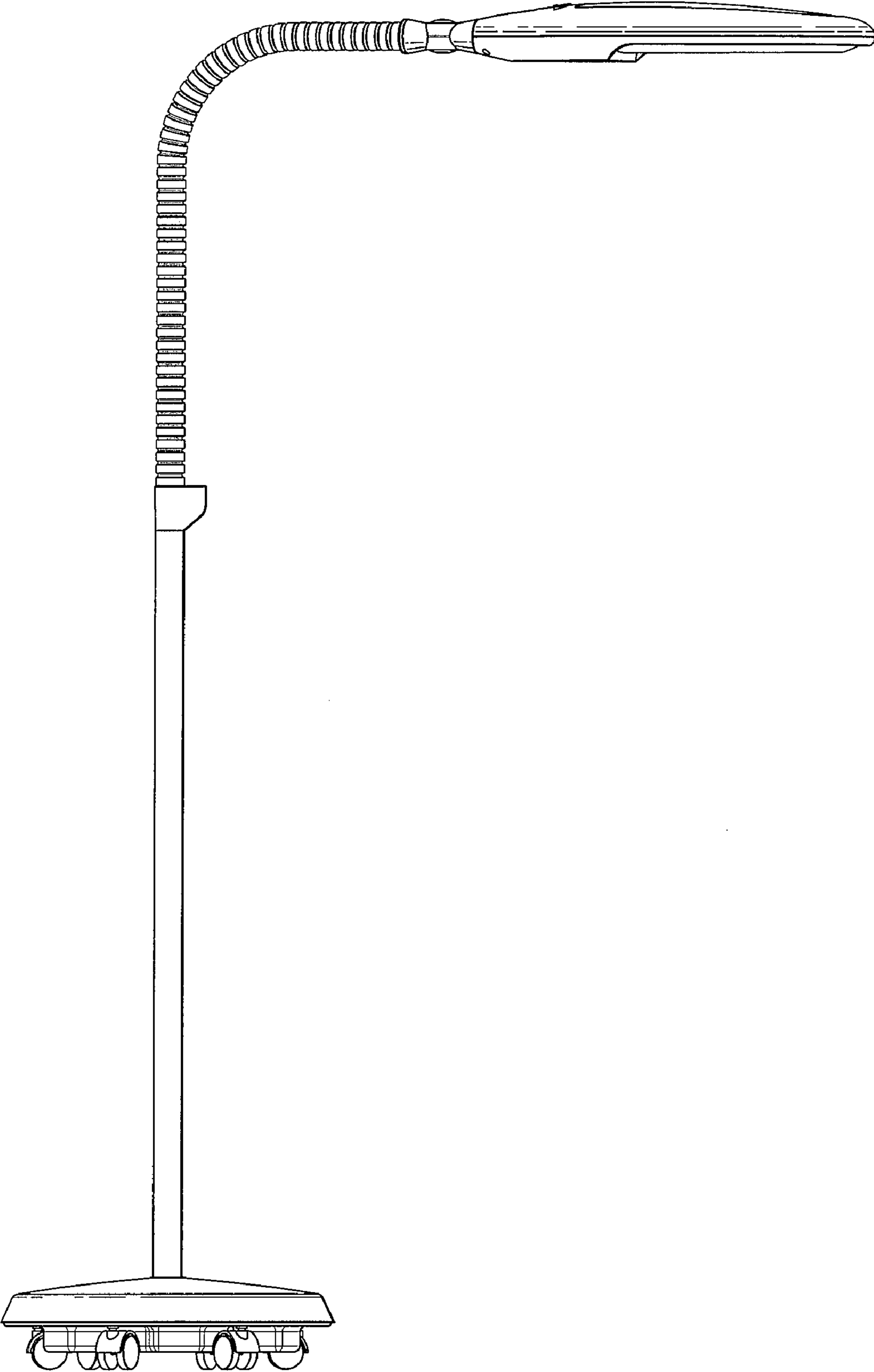


FIG. 4

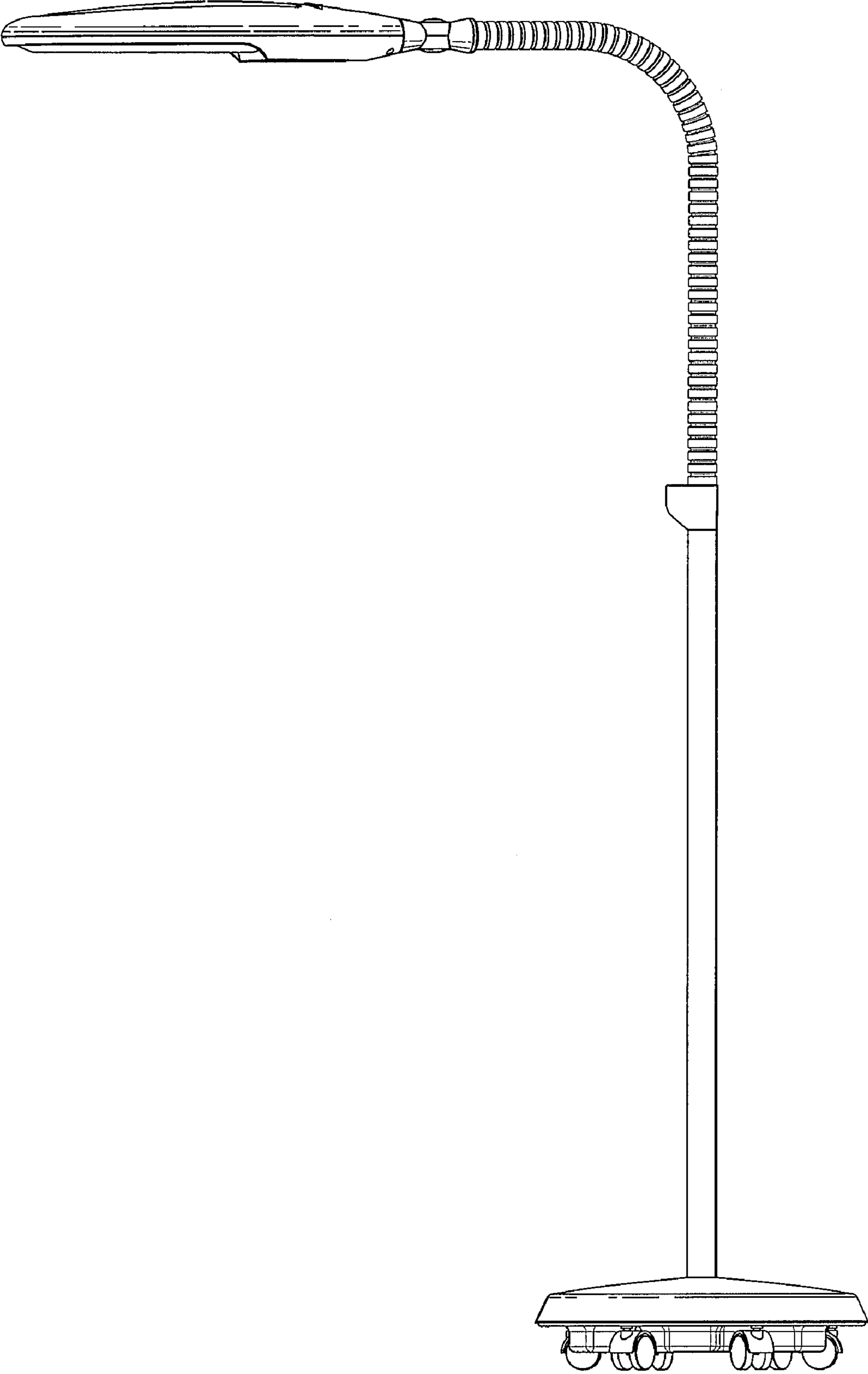


FIG. 5

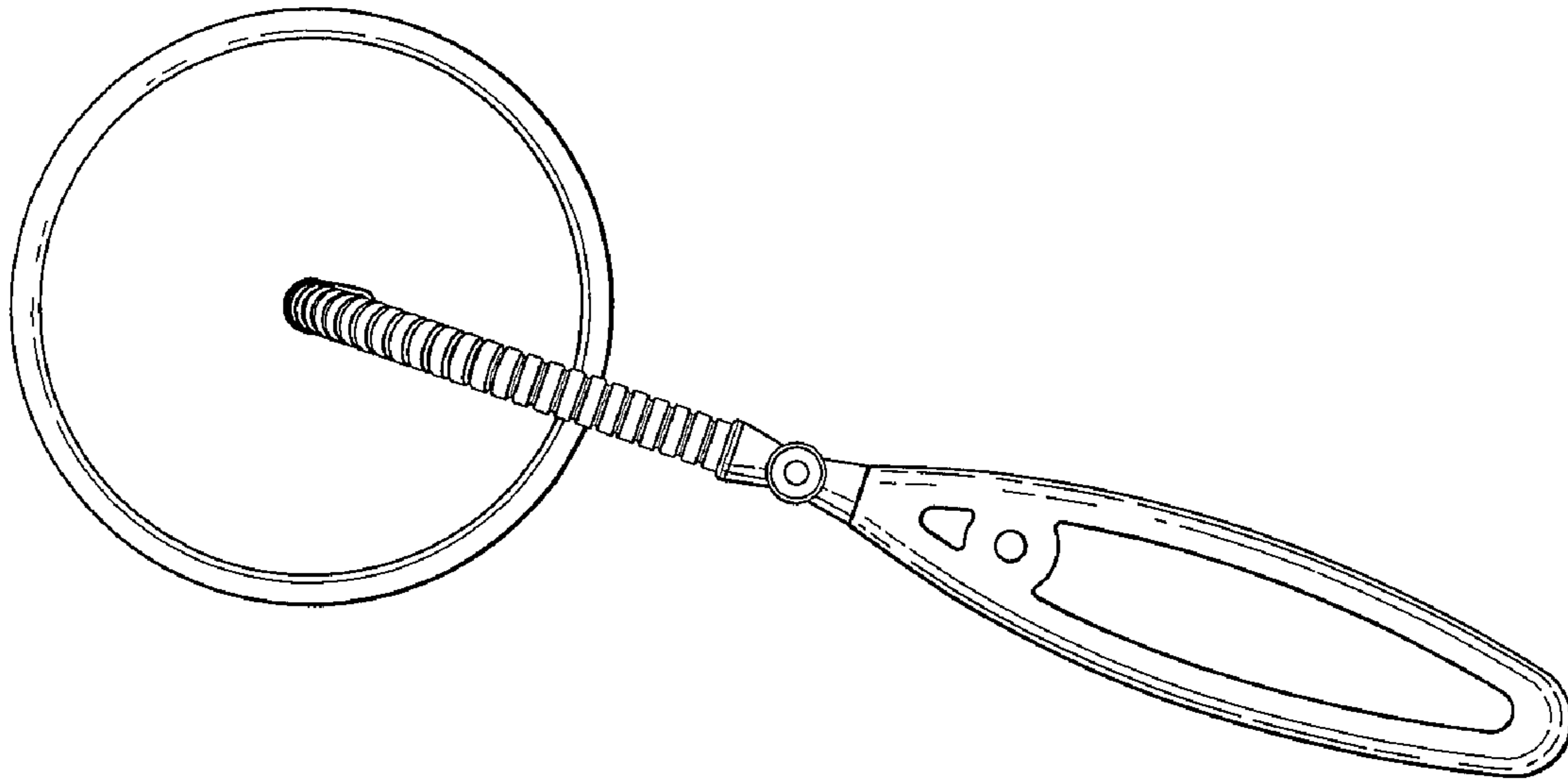


FIG. 6

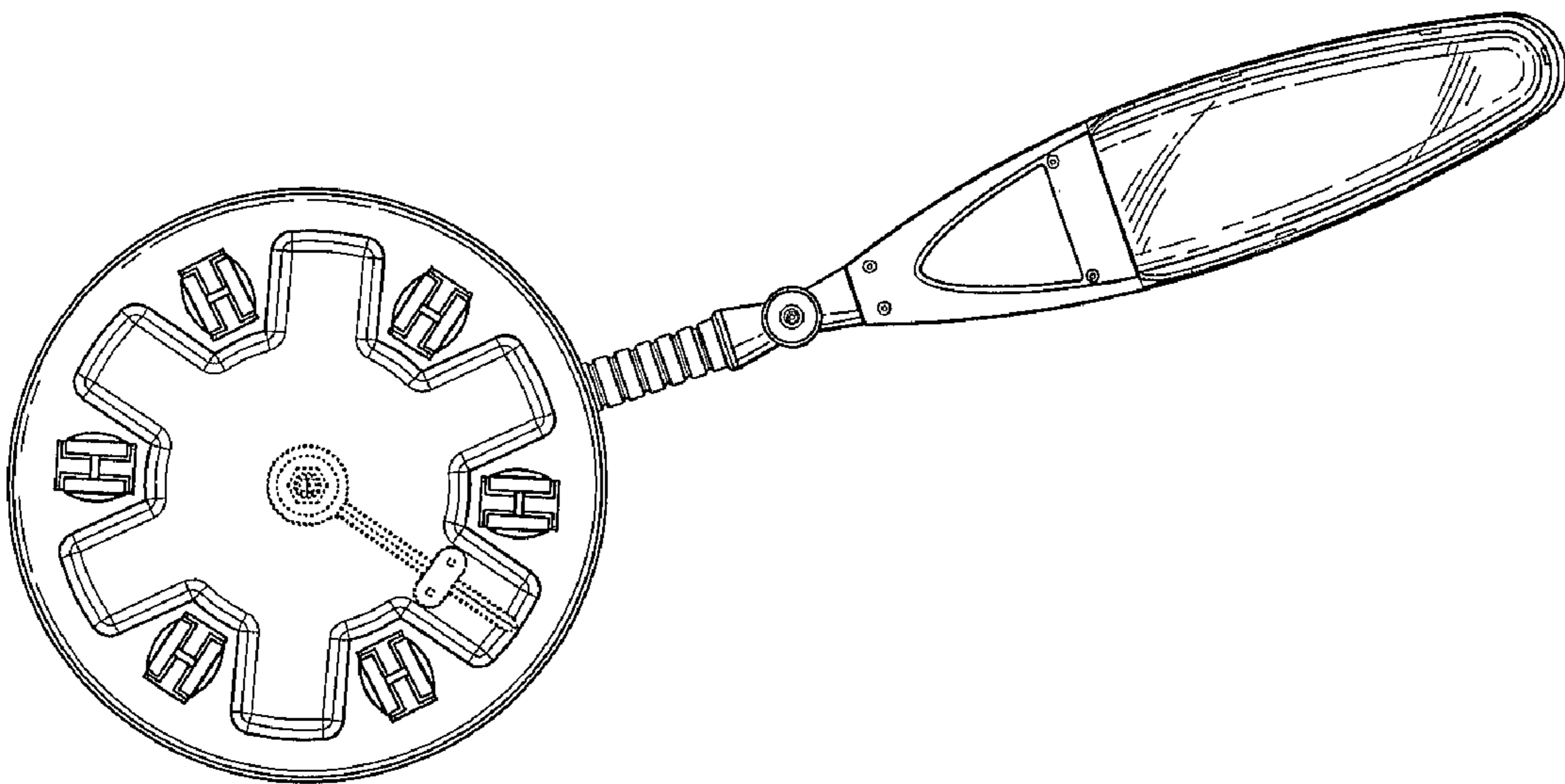


FIG. 7