



US00D608924S

(12) **United States Design Patent**
Snyder et al.

(10) **Patent No.:** **US D608,924 S**
(45) **Date of Patent:** **** Jan. 26, 2010**

(54) **SOLAR LIGHT**

(75) Inventors: **Steven Nicholas Snyder**, Montgomery Village, MD (US); **James Aaron Cropper**, Lansdale, PA (US)

(73) Assignee: **Valley Forge Flag Company, Inc.**, Wyomissing, PA (US)

(**) Term: **14 Years**

(21) Appl. No.: **29/335,274**

(22) Filed: **Apr. 13, 2009**

(51) **LOC (9) Cl.** **26-05**

(52) **U.S. Cl.** **D26/51; D13/102; D26/62**

(58) **Field of Classification Search** D26/37, D26/38, 46, 40, 42, 43, 51, 62; 362/157, 362/158, 184, 194-196, 200-208; D13/102
See application file for complete search history.

(56) **References Cited**

U.S. PATENT DOCUMENTS

D217,830	S	*	6/1970	Heller	D26/51
D277,320	S	*	1/1985	Selden	D26/51
D283,645	S	*	4/1986	Tanaka	D26/43
D367,541	S	*	2/1996	Kuo	D26/62
5,651,606	A	*	7/1997	Krogman	362/96
D437,442	S	*	2/2001	Lucas	D26/63
D445,932	S	*	7/2001	Ceder	D26/42
D492,053	S	*	6/2004	Graves et al.	D26/51
6,764,197	B1		7/2004	Zemar		
6,951,408	B2	*	10/2005	Stewart	362/183
D522,155	S	*	5/2006	Kessler	D26/51
D533,298	S	*	12/2006	Kuelbs et al.	D13/102
D533,675	S	*	12/2006	Didier et al.	D26/67
D557,435	S	*	12/2007	Hon et al.	D26/63

D570,769	S	*	6/2008	Holin	D13/102
D573,742	S	*	7/2008	Bears	D26/71
D574,988	S	*	8/2008	Cheng et al.	D26/63
D580,082	S		11/2008	Zemar		

OTHER PUBLICATIONS

http://www.valleyforgeflag.com/Prod-18-1-2174/The_Liberty_Light_-_Retail_Packaging.htm; Copyright 2009 Valley Forge Flag Company, Inc.; Mar. 11, 2009; Page one of one.

* cited by examiner

Primary Examiner—Charles A Rademaker

Assistant Examiner—Carissa C Fitts

(74) *Attorney, Agent, or Firm*—Blank Rome LLP

(57) **CLAIM**

The ornamental design for a solar light, as shown and described.

DESCRIPTION

FIG. 1 is a front view of the solar light showing our new design:

FIG. 2 is a rear view of the solar light;

FIG. 3 is a top view of the solar light;

FIG. 4 is a bottom view of the solar light;

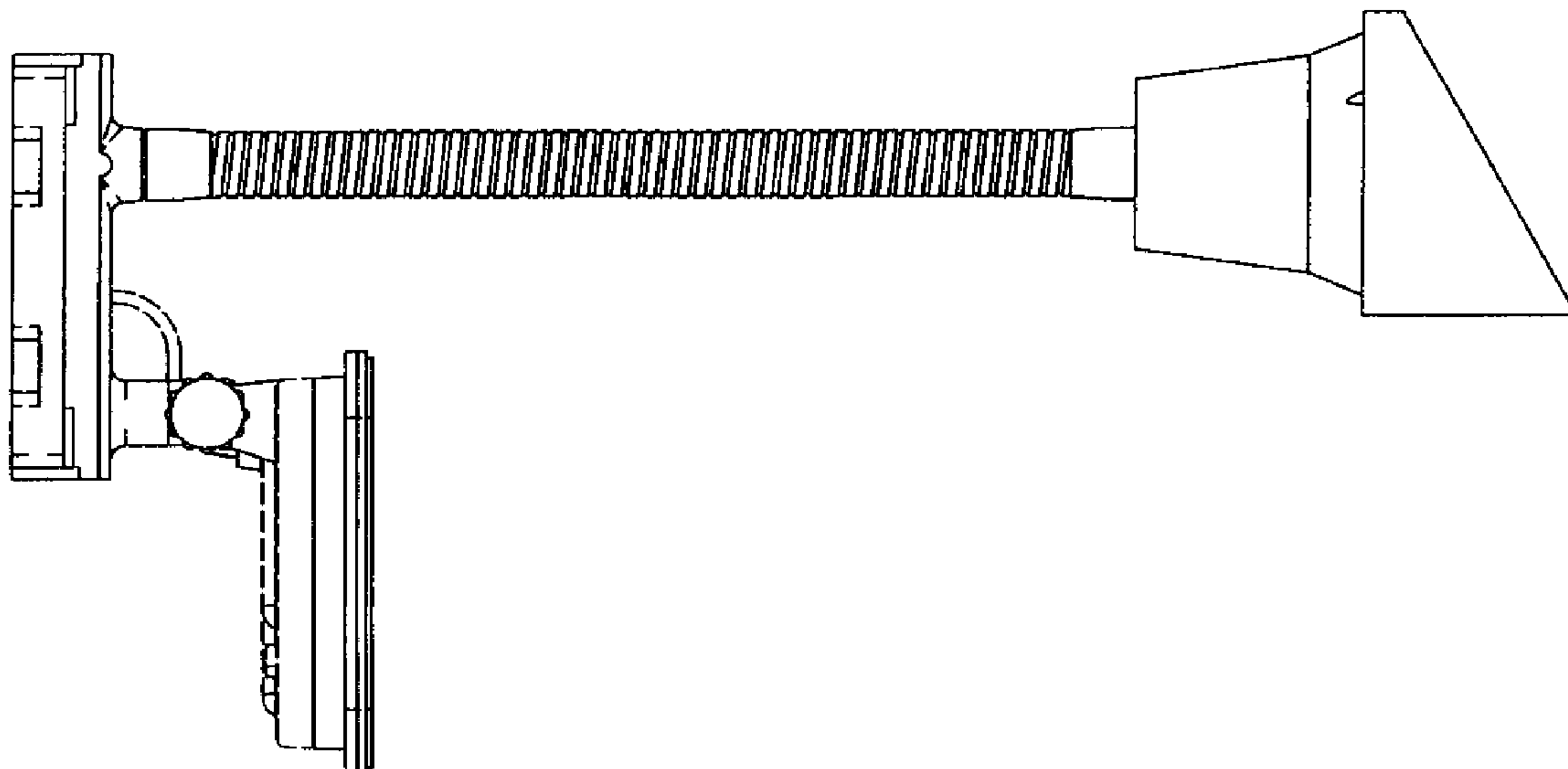
FIG. 5 is a left side view of the solar light;

FIG. 6 is a right side view of the solar light; and,

FIG. 7 is a left side view of the solar light showing alternative positions of solar panel and light.

The broken lines in the figure drawings are intended to illustrate structural environment and form no part of the claimed design.

1 Claim, 3 Drawing Sheets



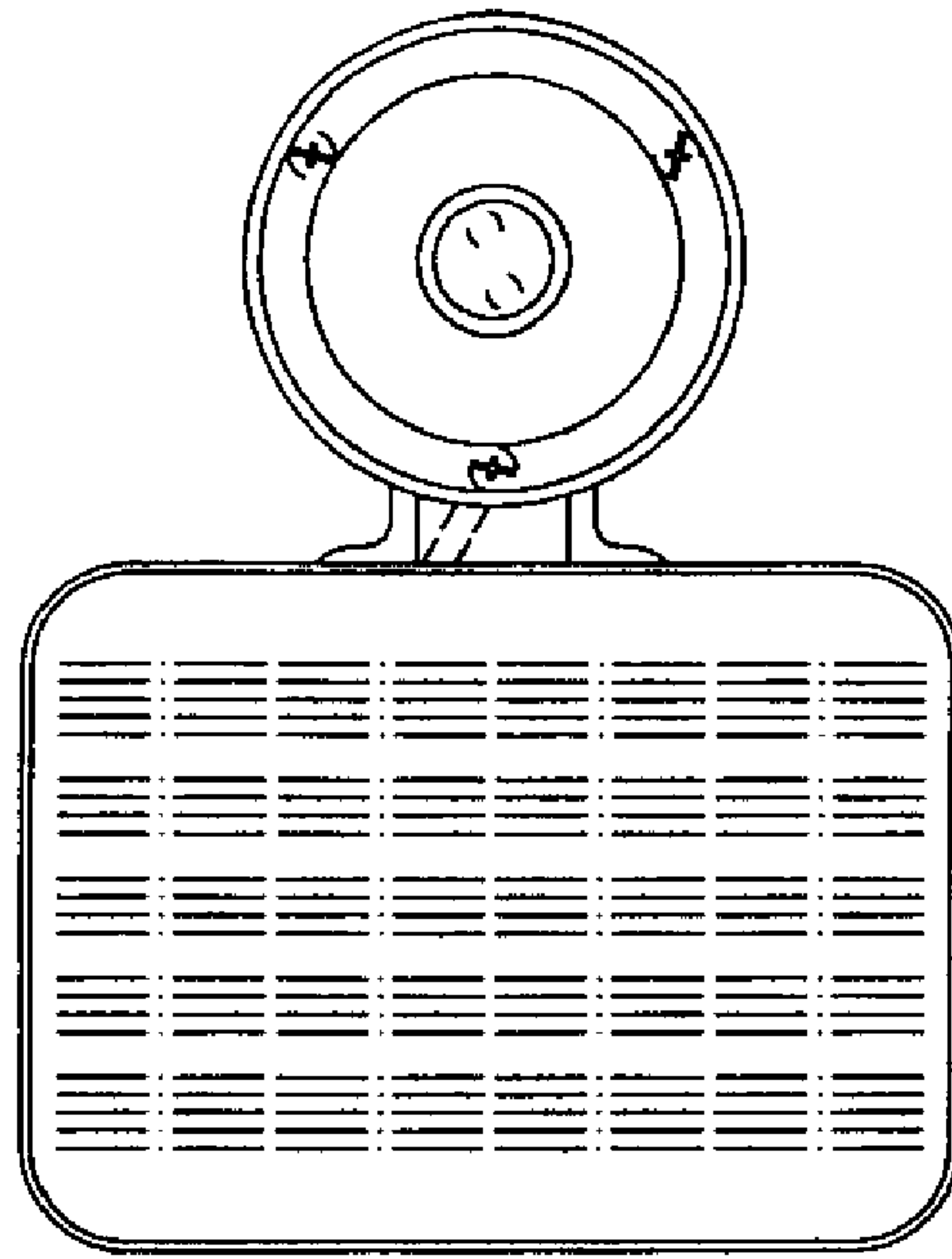


FIG. 1

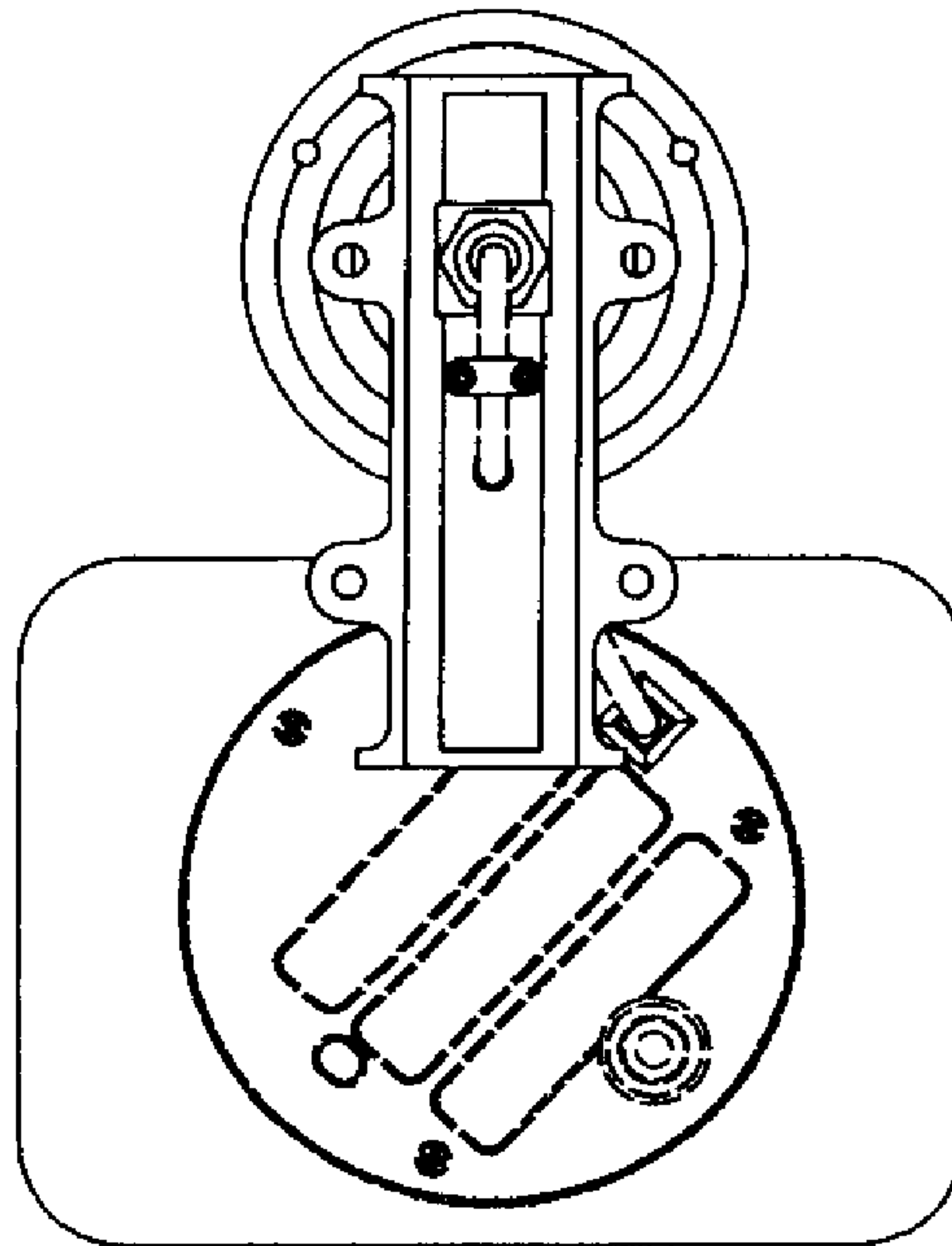


FIG. 2

