



US00D608921S

(12) **United States Design Patent**
DeBrunner

(10) **Patent No.:** **US D608,921 S**

(45) **Date of Patent:** **** Jan. 26, 2010**

(54) **FLASHLIGHT**

D491,304 S * 6/2004 Krieger et al. D26/46
D499,827 S * 12/2004 Li D26/48

(75) Inventor: **Daniel E. DeBrunner**, Wichita, KS (US)

OTHER PUBLICATIONS

(73) Assignee: **The Coleman Company, Inc.**, Wichita, KS (US)

Pages 26 and 33 from Coleman Company 2001 Outdoor Products Catalog.
Page 34 from Coleman Company 2005 Outdoor Products Catalog.

(**) Term: **14 Years**

* cited by examiner

(21) Appl. No.: **29/331,449**

Primary Examiner—Ian Simmons

Assistant Examiner—Carissa C Fitts

(22) Filed: **Jan. 26, 2009**

(74) *Attorney, Agent, or Firm*—Kelly S. Elsea

(51) **LOC (9) Cl.** **26-02**

(52) **U.S. Cl.** **D26/41**

(58) **Field of Classification Search** D26/37,
D26/40, 41, 45, 46, 48, 50, 42, 44; 362/157,
362/158, 171–174, 183, 186, 187, 190, 194,
362/197, 199, 201, 208

(57) **CLAIM**

See application file for complete search history.

The ornamental design for a flashlight, as shown and described.

(56) **References Cited**

DESCRIPTION

U.S. PATENT DOCUMENTS

D256,278 S * 8/1980 Wong et al. D26/46
D280,936 S * 10/1985 Dinsmore et al. D26/48
D289,440 S * 4/1987 Yajima et al. D26/48
D292,321 S * 10/1987 Liu D26/48
D348,318 S * 6/1994 Schultz D26/48
D389,594 S * 1/1998 Poon D26/48
D417,922 S * 12/1999 Mulder et al. D26/50
D436,197 S * 1/2001 Hutchinson et al. D26/37
D437,434 S * 2/2001 Zeller D26/46
D447,588 S * 9/2001 Zeller D26/46
D487,162 S * 2/2004 Lap Hon D26/37

FIG. 1 is a front side perspective view of my flashlight;

FIG. 2 is a front elevation view thereof;

FIG. 3 is a rear elevation view thereof;

FIG. 4 is a left side elevation view thereof;

FIG. 5 is a right side elevation view thereof;

FIG. 6 is a top plan view thereof;

FIG. 7 is a bottom plan view thereof; and,

FIG. 8 is a bottom perspective view thereof.

The broken line showing is for illustrative purposes only and forms no part of the claimed design.

1 Claim, 7 Drawing Sheets

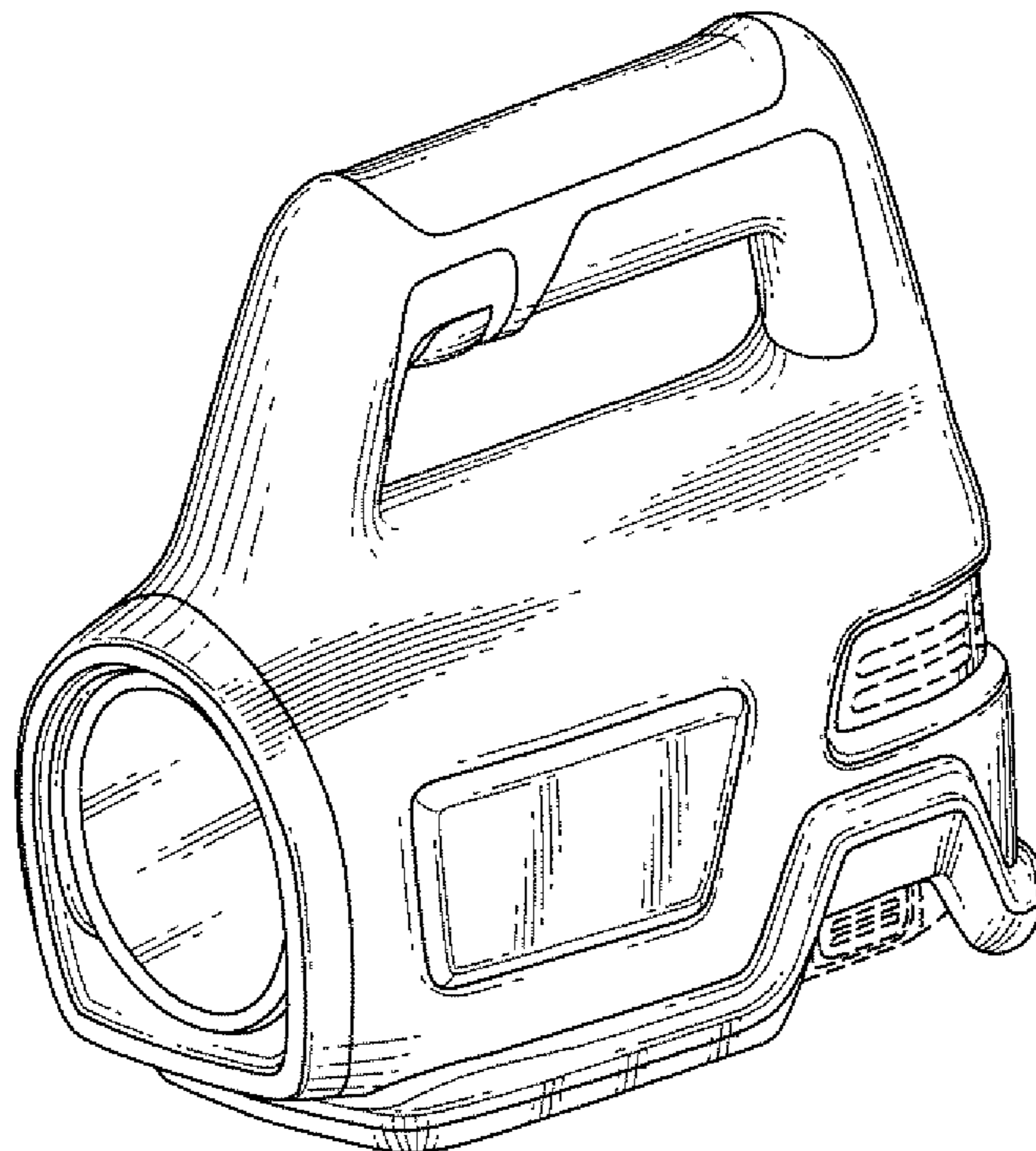


FIG. 1

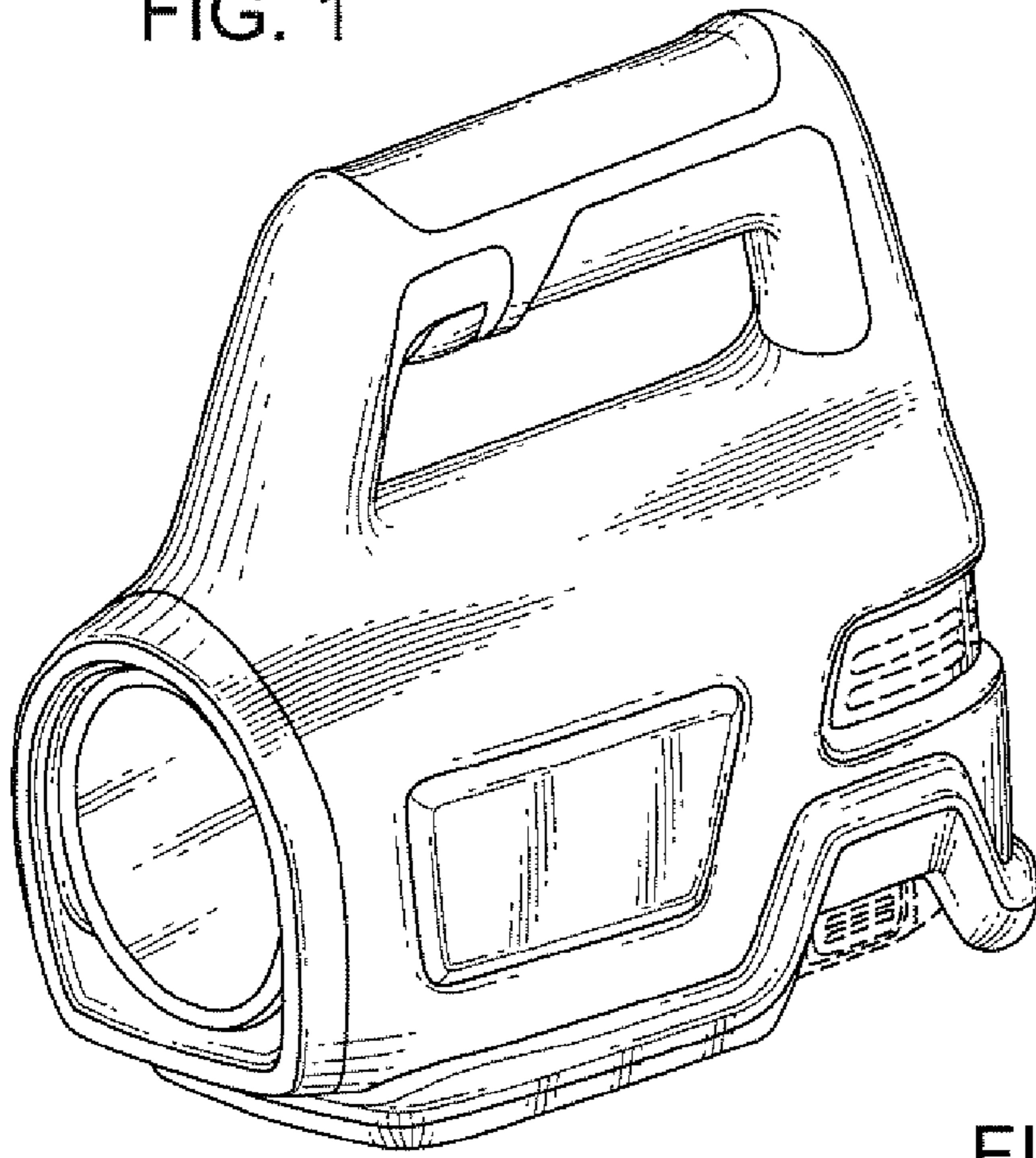


FIG. 2

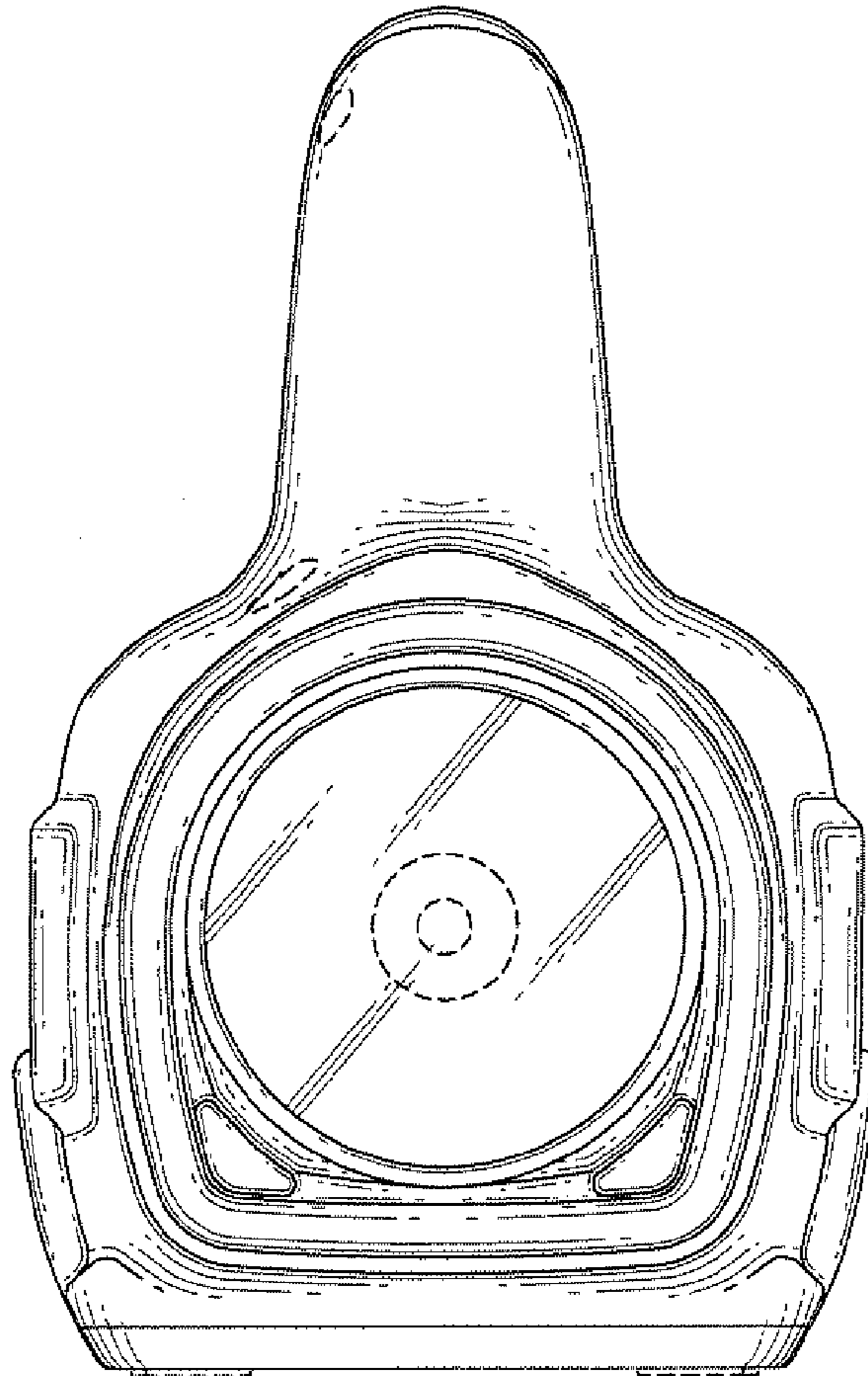


FIG. 3

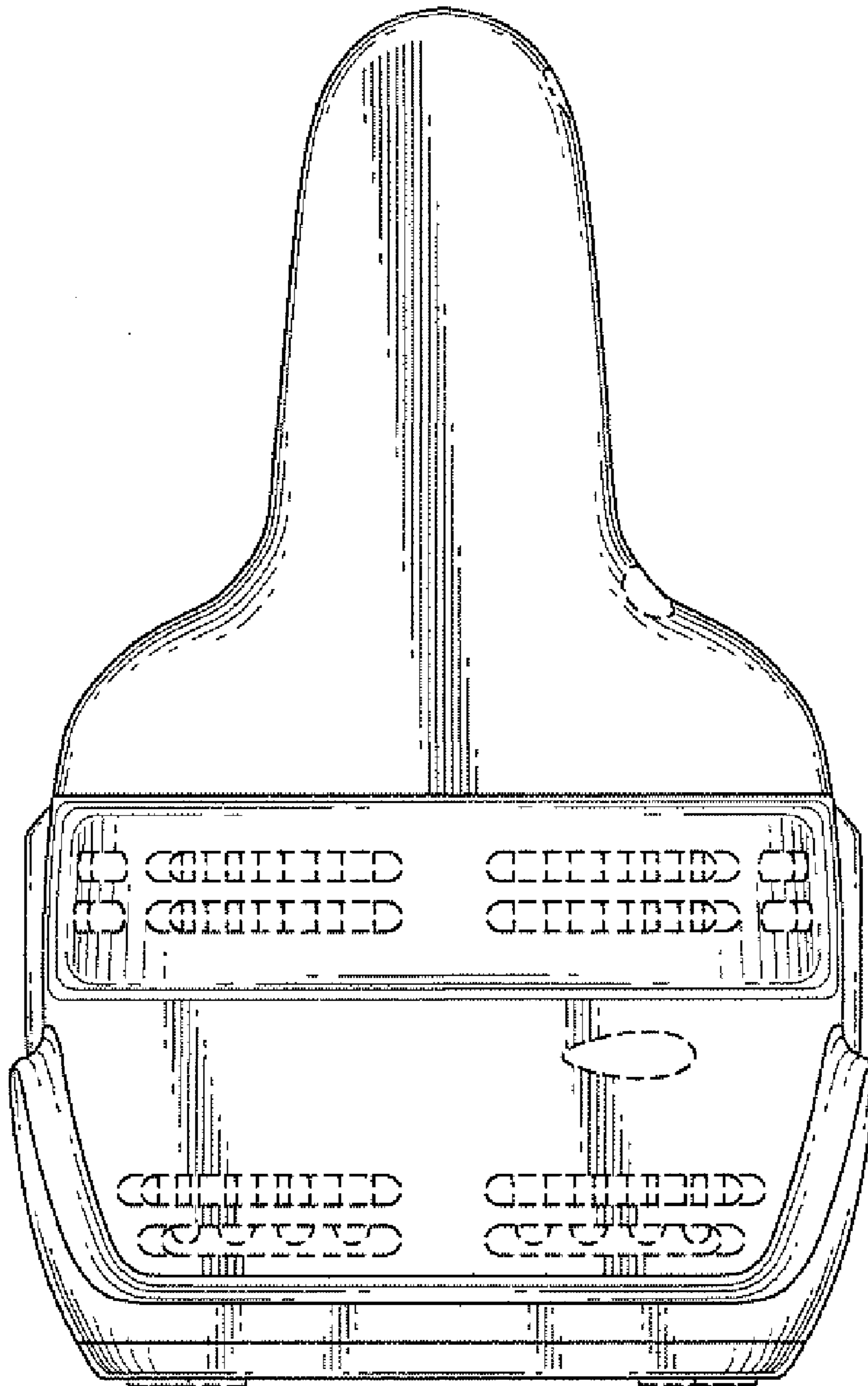


FIG. 4

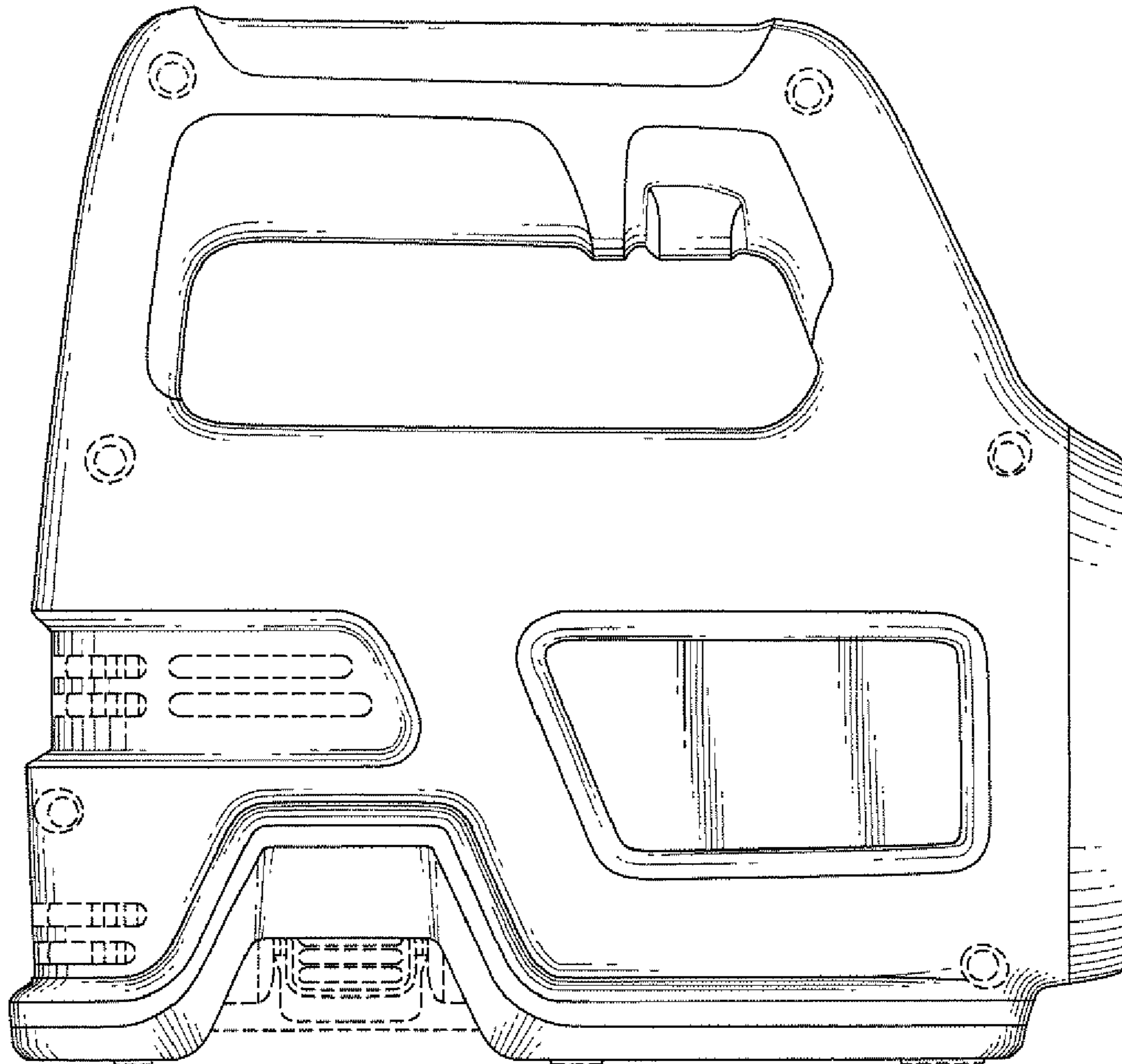


FIG. 5

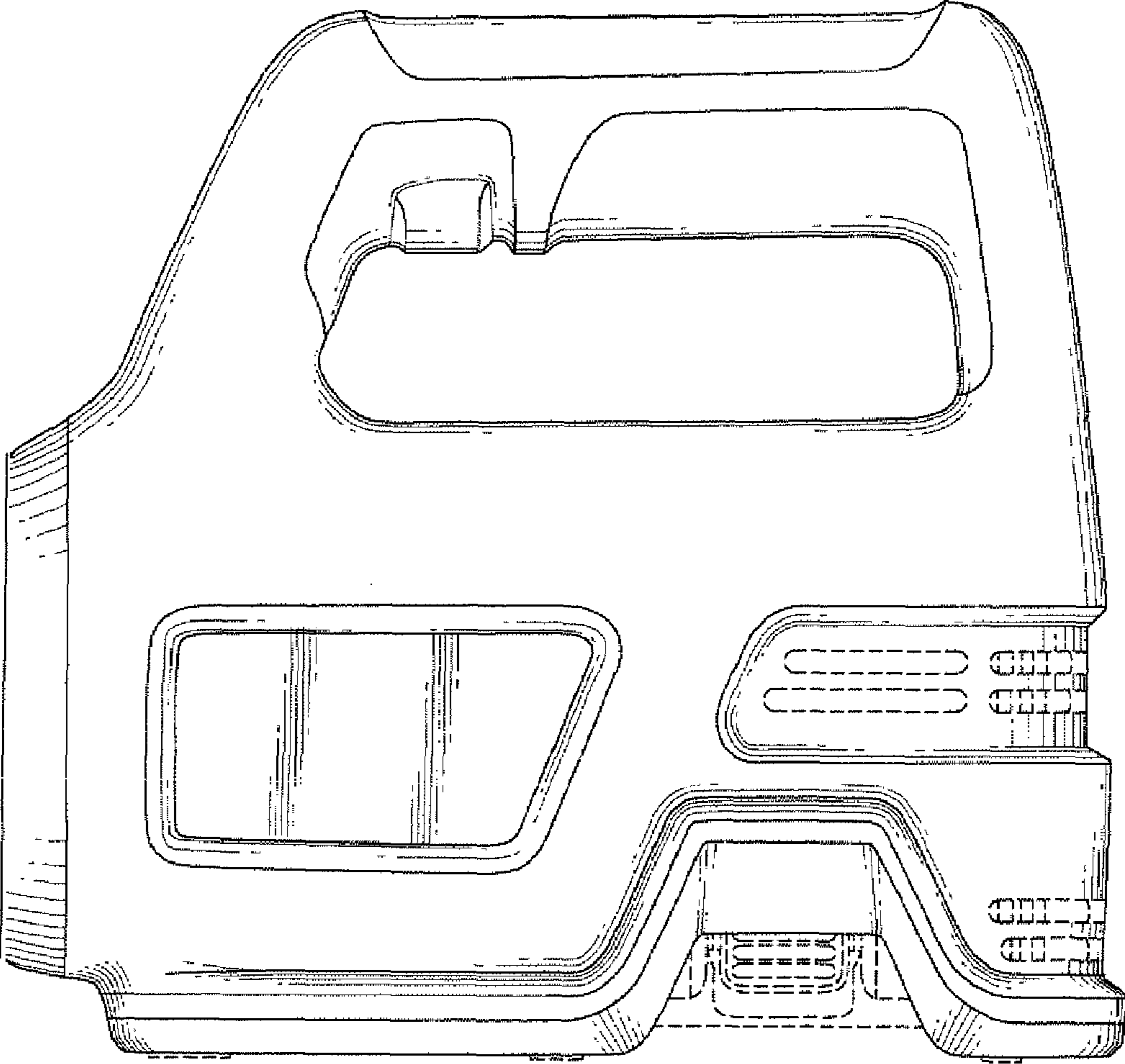


FIG. 6

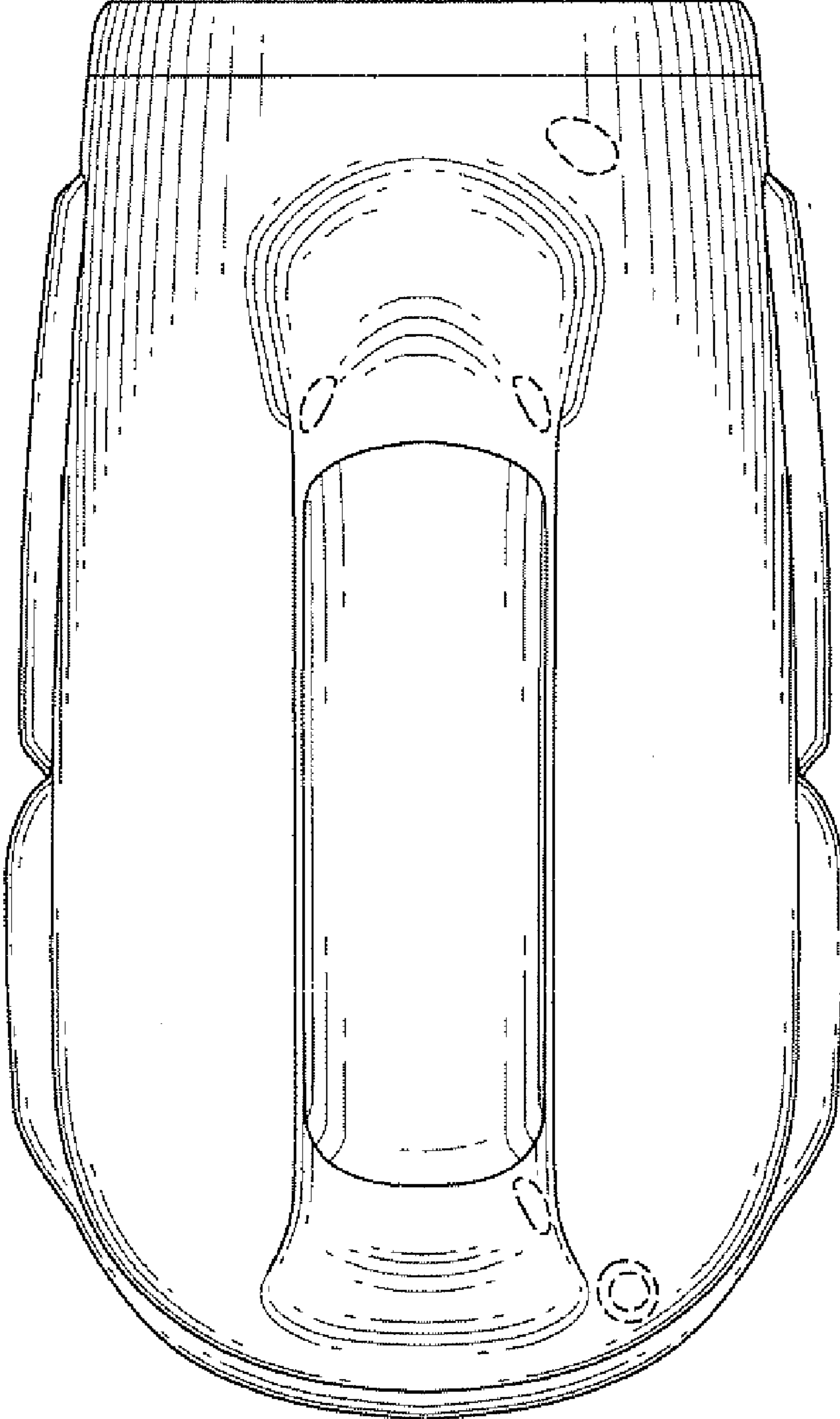


FIG. 7

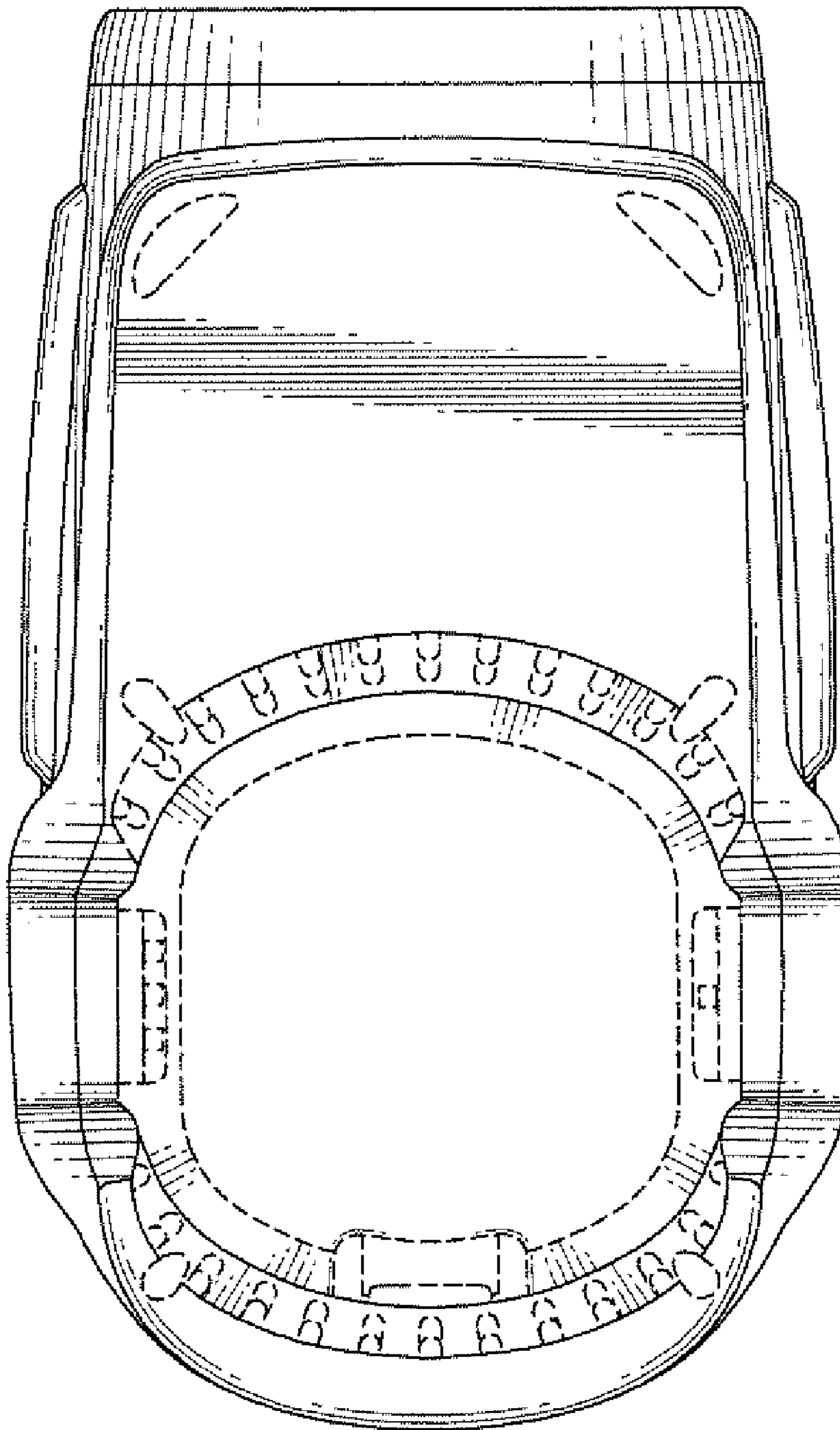


FIG. 8

