



US00D608918S

(12) **United States Design Patent**
Hagner et al.

(10) **Patent No.:** **US D608,918 S**
(45) **Date of Patent:** **** Jan. 26, 2010**

(54) **TURN SIGNAL ELEMENT**

D422,541 S * 4/2000 Richter D12/167
D571,277 S * 6/2008 Bach D12/223

(75) Inventors: **Thorsten Hagner**, Ilvesheim (DE);
William E. Crookes, Ann Arbor, MI
(US)

(73) Assignee: **Deere & Company**, Moline, IL (US)

(**) Term: **14 Years**

(21) Appl. No.: **29/261,027**

(22) Filed: **Jun. 6, 2006**

(30) **Foreign Application Priority Data**

Dec. 7, 2005 (EM) 000444047-001
Dec. 7, 2005 (EM) 000444047-002
Dec. 7, 2005 (EM) 000444047-003

(51) **LOC (9) Cl.** **26-06**

(52) **U.S. Cl.** **D26/28**

(58) **Field of Classification Search** D26/24,
D26/28-31, 34-36; 362/459-460, 487, 505-506,
362/540-543, 546, 548-549; D12/86, 163-165,
D12/172

See application file for complete search history.

(56) **References Cited**

U.S. PATENT DOCUMENTS

D87,739 S * 9/1932 Chanter D26/34

* cited by examiner

Primary Examiner—Ian Simmons
Assistant Examiner—Dana L Sipos

(57) **CLAIM**

The ornamental design for a turn signal element, design as shown and described.

DESCRIPTION

FIG. 1 is a top, front, right side perspective view of a turn signal element showing our new design;

FIG. 2 is a top plan view thereof;

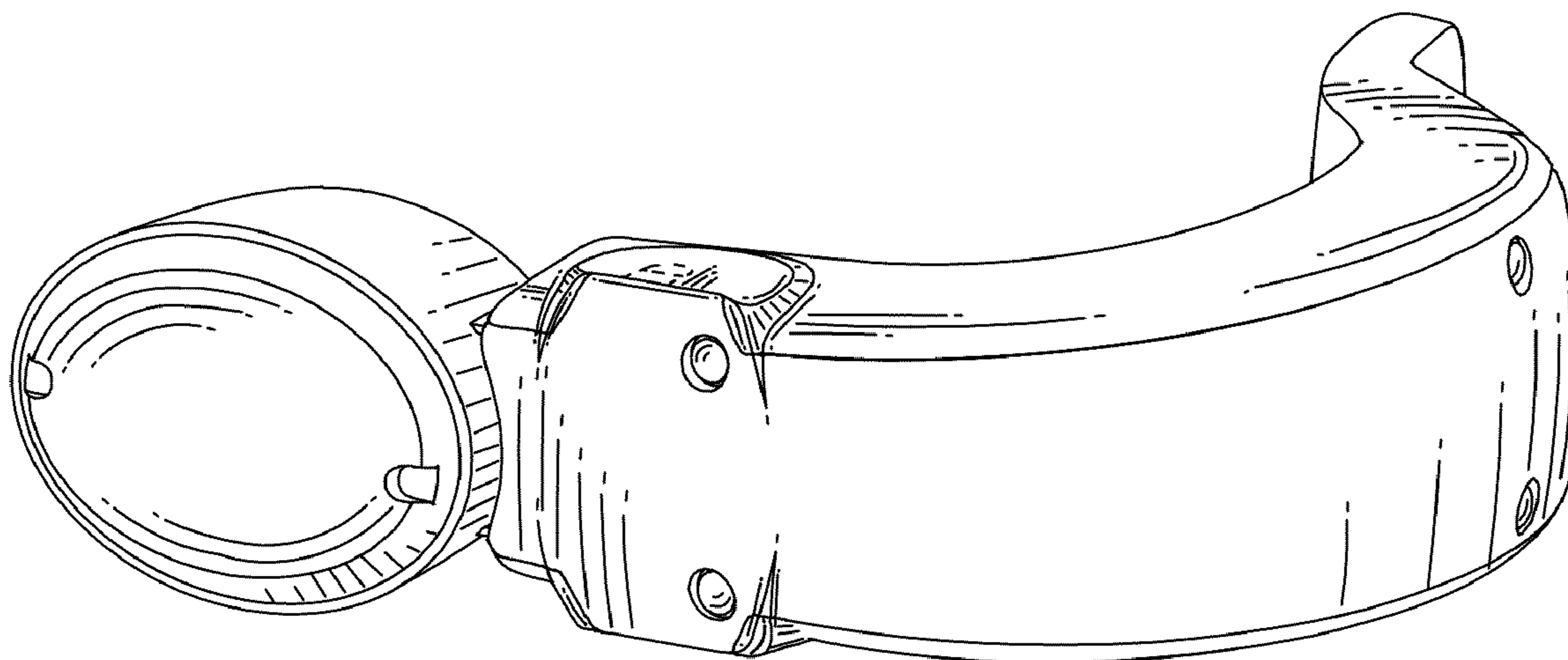
FIG. 3 is a front elevation view thereof;

FIG. 4 is a right side elevation view thereof; and,

FIG. 5 is a rear elevation view thereof.

Details within the broken lines in the drawings illustrate the portions of the design that form no part of the claim.

1 Claim, 4 Drawing Sheets



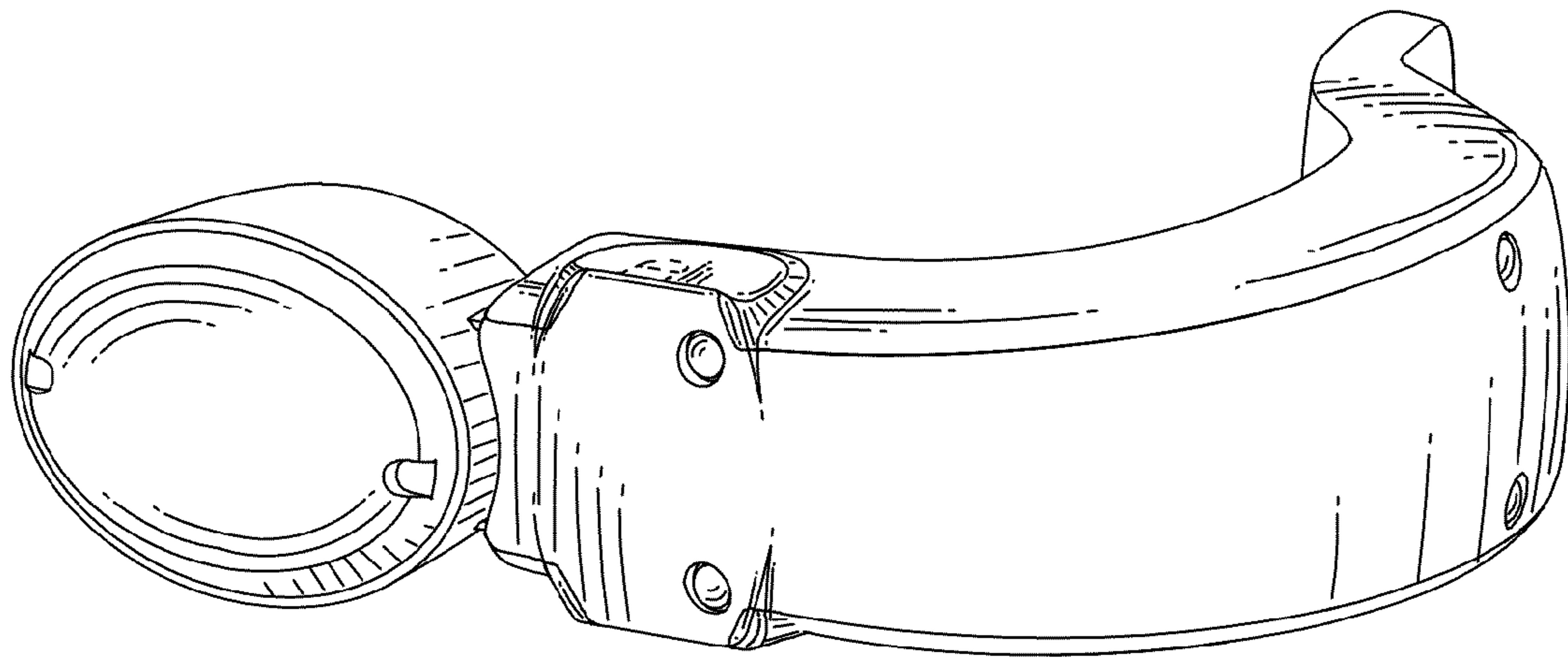


Fig. 1

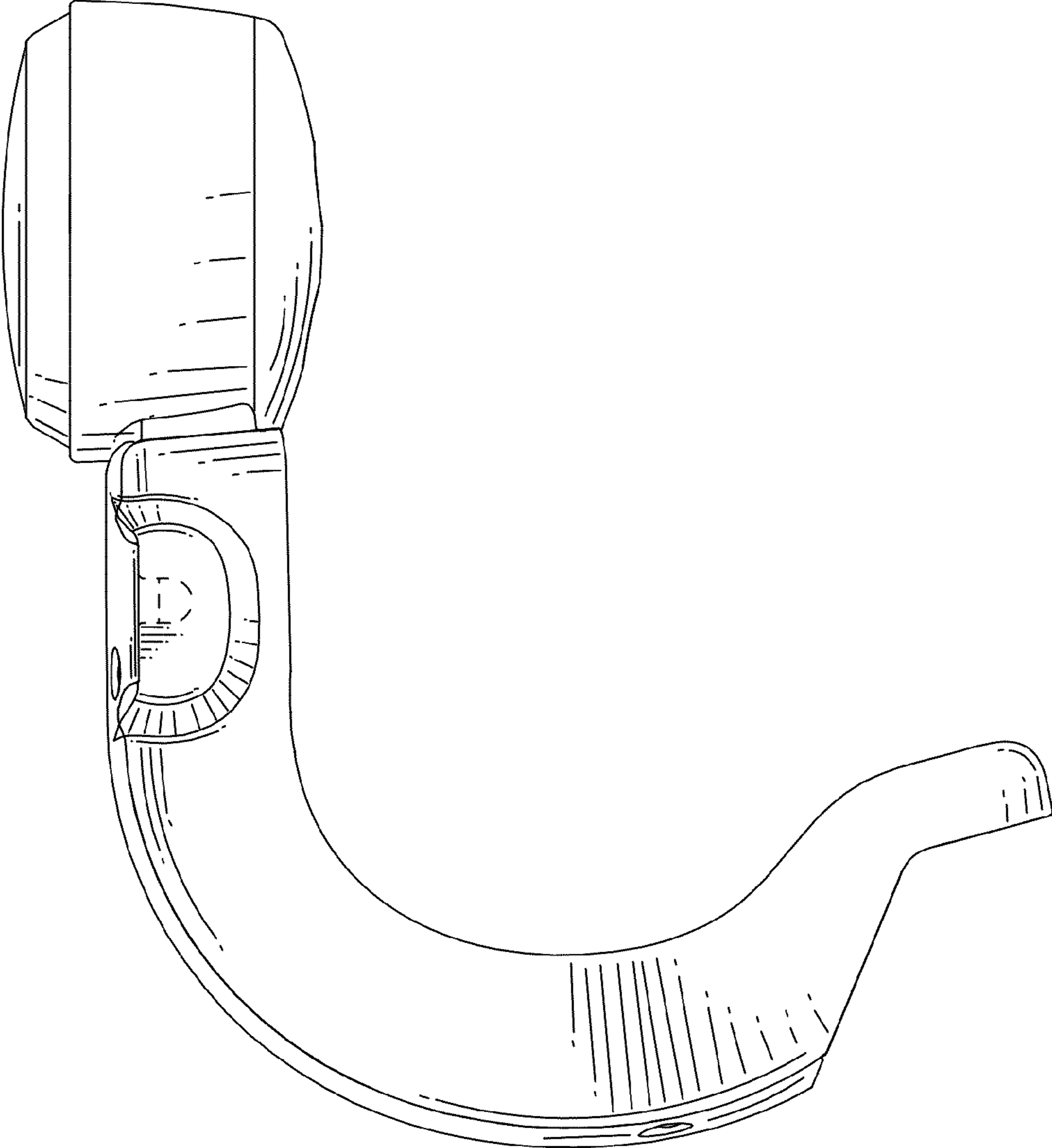


Fig. 2

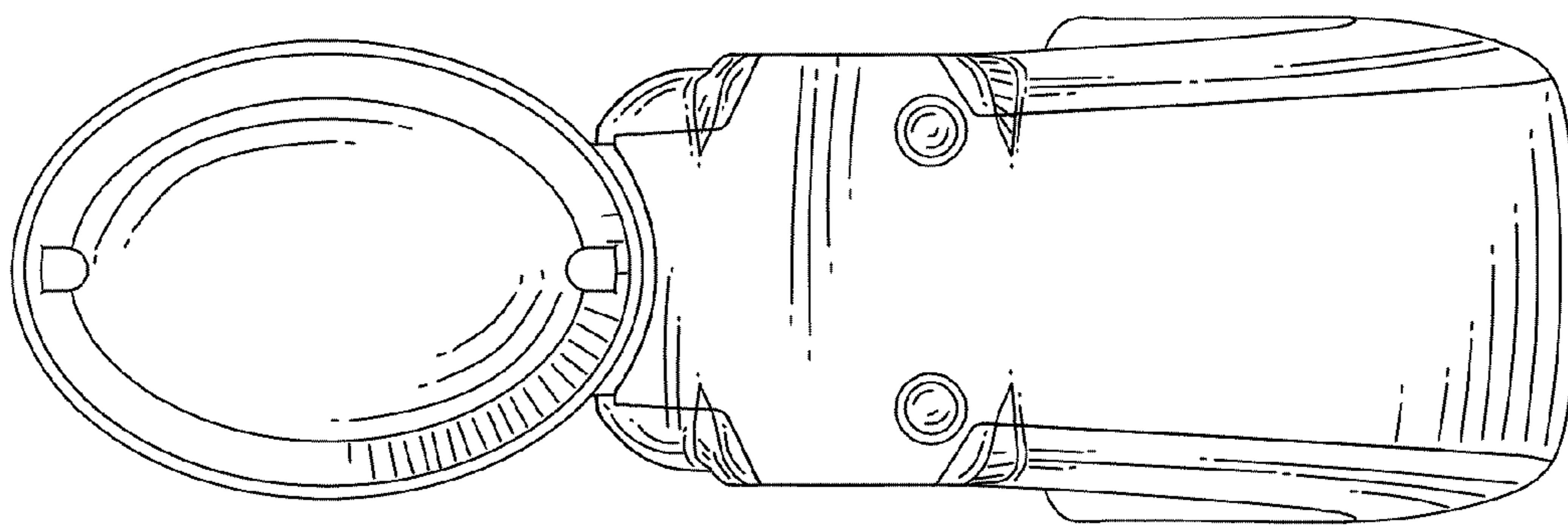


Fig. 3

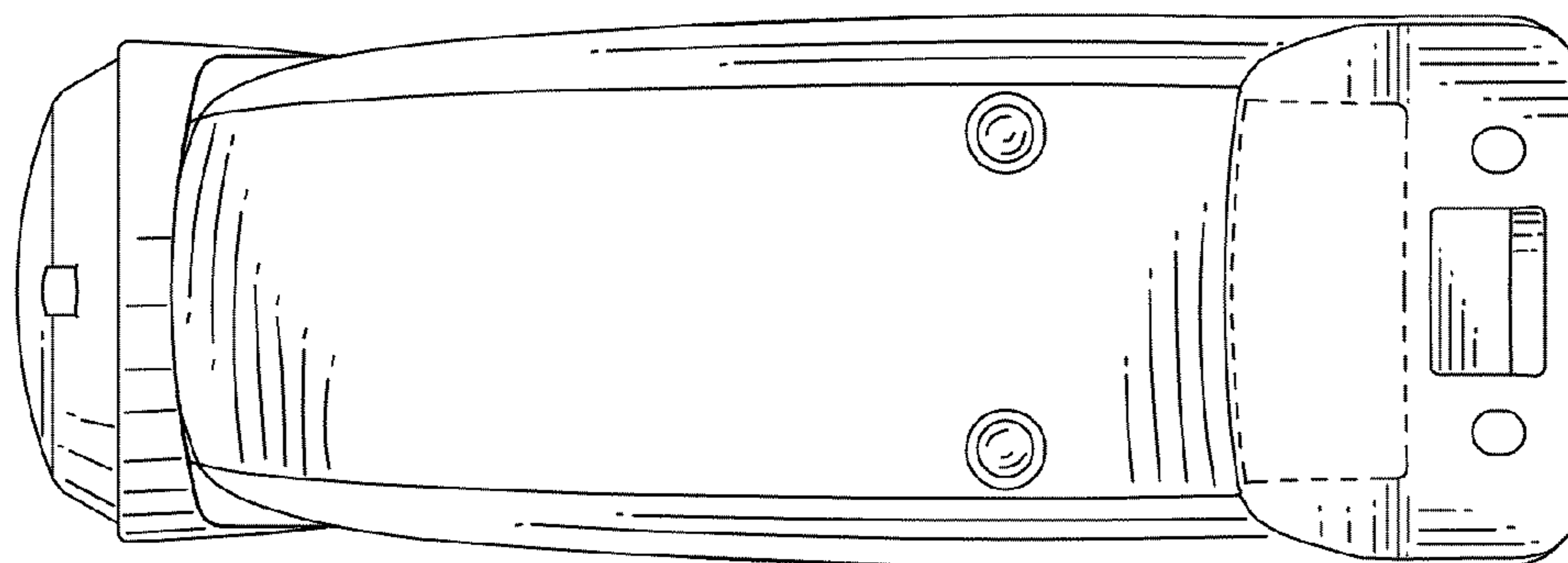


Fig. 4

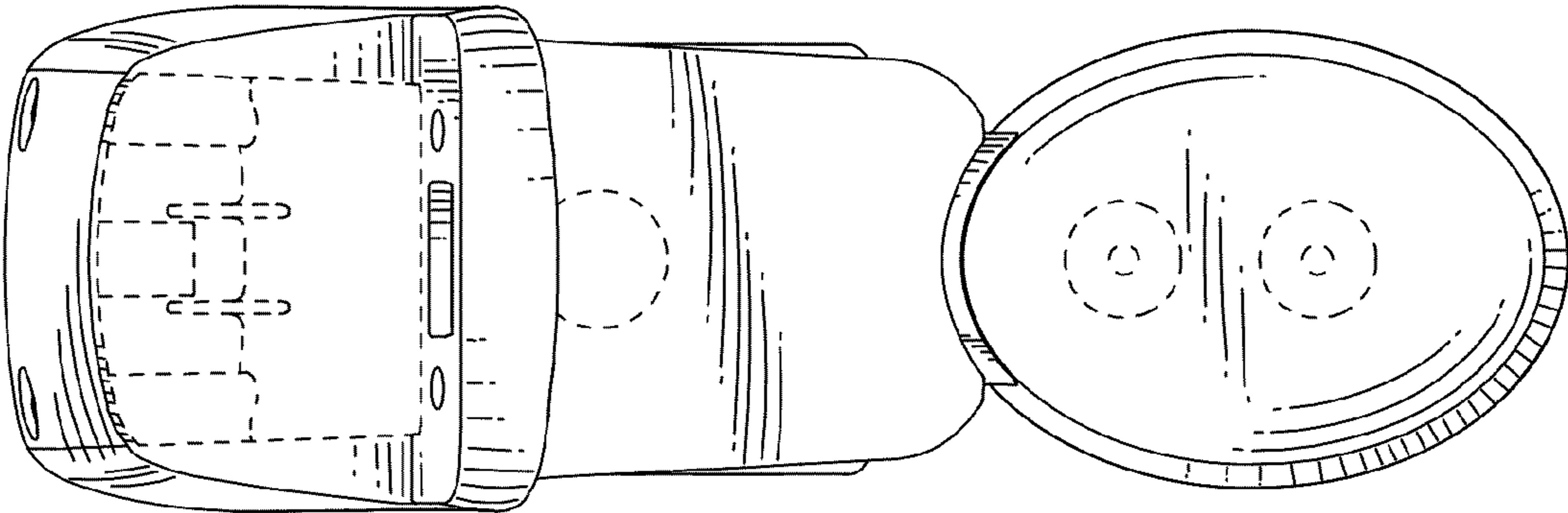


Fig. 5