



US00D608916S

(12) **United States Design Patent**
Simmons

(10) **Patent No.:** **US D608,916 S**
(45) **Date of Patent:** **** *Jan. 26, 2010**

(54) **ROOF TILE HAVING SIMULATED TWO-PIECE APPEARANCE**

FOREIGN PATENT DOCUMENTS

GB 2200930 A 2/1987

(75) Inventor: **Troy Stanley Simmons**, Laguna Niguel, CA (US)

(Continued)

(73) Assignee: **MonierLifetile, LLC**, Irvine, CA (US)

OTHER PUBLICATIONS

(*) Notice: This patent is subject to a terminal disclaimer.

U.S. Appl. No. 10/347,663, filed Jan. 21, 2003, Simmons.

(**) Term: **14 Years**

(Continued)

(21) Appl. No.: **29/320,743**

Primary Examiner—Catherine R Oliver
(74) *Attorney, Agent, or Firm*—Alston & Bird LLP

(22) Filed: **Jul. 2, 2008**

(57) **CLAIM**

Related U.S. Application Data

The ornamental design is for roof tile having simulated two-piece appearance, as shown and described.

(63) Continuation of application No. 29/193,169, filed on Nov. 4, 2003, now Pat. No. Des. 574,973, which is a continuation of application No. 10/656,893, filed on Sep. 4, 2003, now Pat. No. 7,320,774, which is a continuation-in-part of application No. 10/347,663, filed on Jan. 21, 2003, now abandoned.

DESCRIPTION

(51) **LOC (9) Cl.** **25-01**

FIG. 1 is a pictorial view of a first embodiment of the present invention showing the lower end of the tile in the front right foreground and generally facing the viewer;

(52) **U.S. Cl.** **D25/140**

FIG. 2 is a lower end elevational view;

(58) **Field of Classification Search** D25/140–141; 52/554–555, 518–519, 542, 537, 560

FIG. 3 is an upper end elevational view;

See application file for complete search history.

FIG. 4 is a left side elevational view;

(56) **References Cited**

FIG. 5 is a right side elevational view;

U.S. PATENT DOCUMENTS

FIG. 6 is a top plan view, with the upper end of the tile being to the viewer's right;

1,619,490 A	3/1927	Schwarz
1,993,086 A	3/1935	Chaffee
2,120,742 A	6/1938	Grundy
3,349,534 A	10/1967	Wotherspoon
D218,540 S	8/1970	Powel
4,040,211 A	8/1977	Wotherspoon
4,092,092 A	5/1978	Dye
4,666,648 A	5/1987	Brittain
4,695,418 A	9/1987	Baker et al.

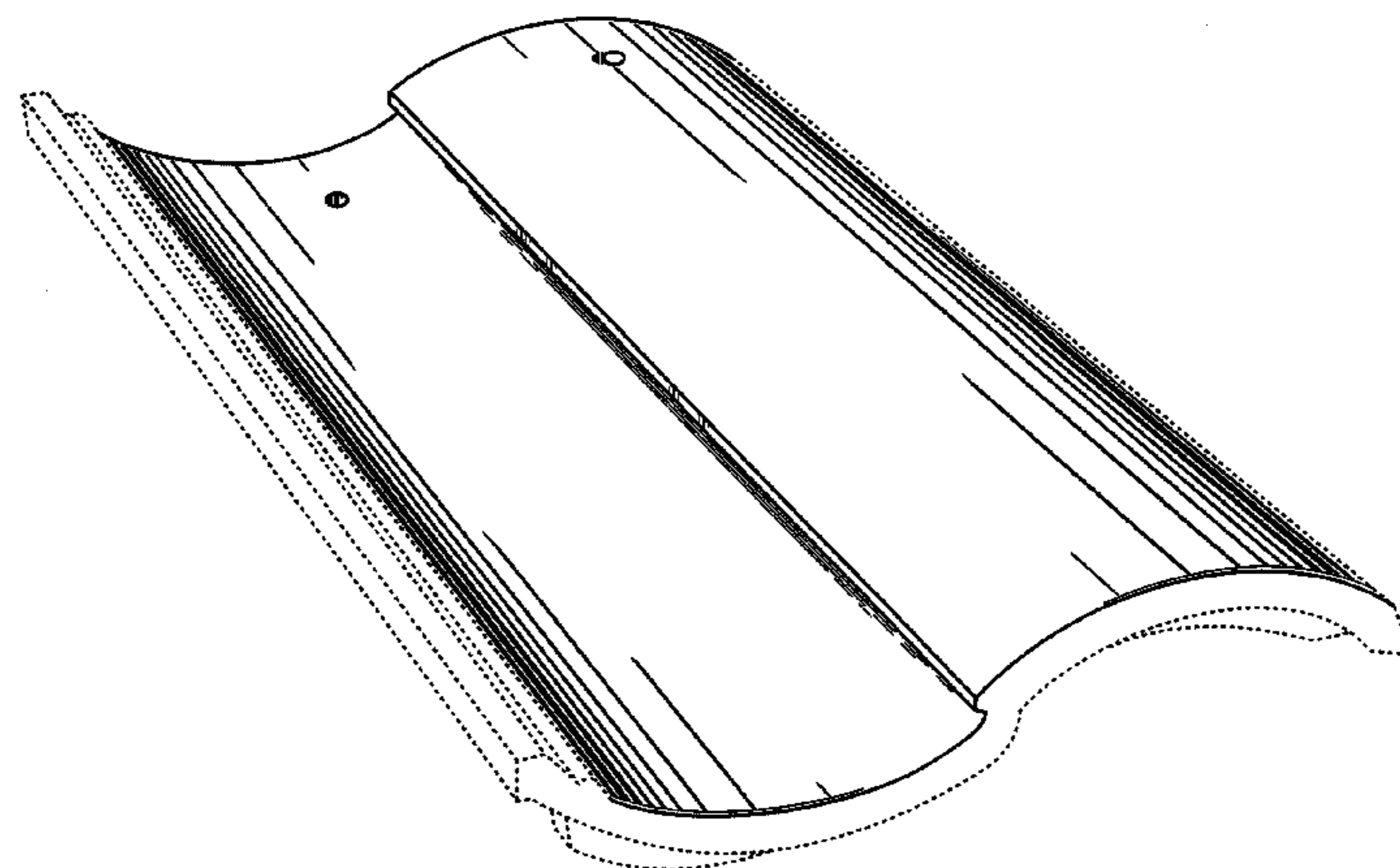
FIG. 7 is a bottom plan view; with structural elements not claimed and shown in dotted line for purposes of showing environment;

FIG. 8 is a pictorial view of a second embodiment of the invention including a shaded portion accenting the visual impression of two tiles; and,

FIG. 9 is a top plan view of the embodiment of FIG. 8, with the upper end of the tile being to the viewer's right.

(Continued)

1 Claim, 7 Drawing Sheets



US D608,916 S

Page 2

U.S. PATENT DOCUMENTS

4,758,148 A 7/1988 Jidell
D347,483 S 5/1994 Thomas
D348,317 S 6/1994 Thomas et al.
5,326,318 A 7/1994 Rotter
5,406,766 A 4/1995 Nicholas et al.
5,613,337 A 3/1997 Plath et al.
5,651,226 A 7/1997 Archibald
5,711,126 A 1/1998 Wells
5,743,059 A 4/1998 Fifield
D402,064 S 12/1998 Hahn
D411,316 S 6/1999 Alvarez et al.
5,974,756 A 11/1999 Alvarez et al.
6,247,284 B1 6/2001 Alvarez et al.

D452,920 S 1/2002 Alvarez et al.
D467,671 S 12/2002 Suzuki
RE38,210 E 8/2003 Plath et al.
2004/0123544 A1 7/2004 Simmons et al.
2004/0237442 A1 12/2004 Simmons

FOREIGN PATENT DOCUMENTS

GB 2200930 8/1988

OTHER PUBLICATIONS

U.S. Appl. No. 10/656,893, filed Sep. 4, 2003, Simmons.
U.S. Appl. No. 29/193,168, filed Nov. 4, 2003, Simmons.
U.S. Appl. No. 29/193,169, filed Nov. 4, 2003, Simmons.

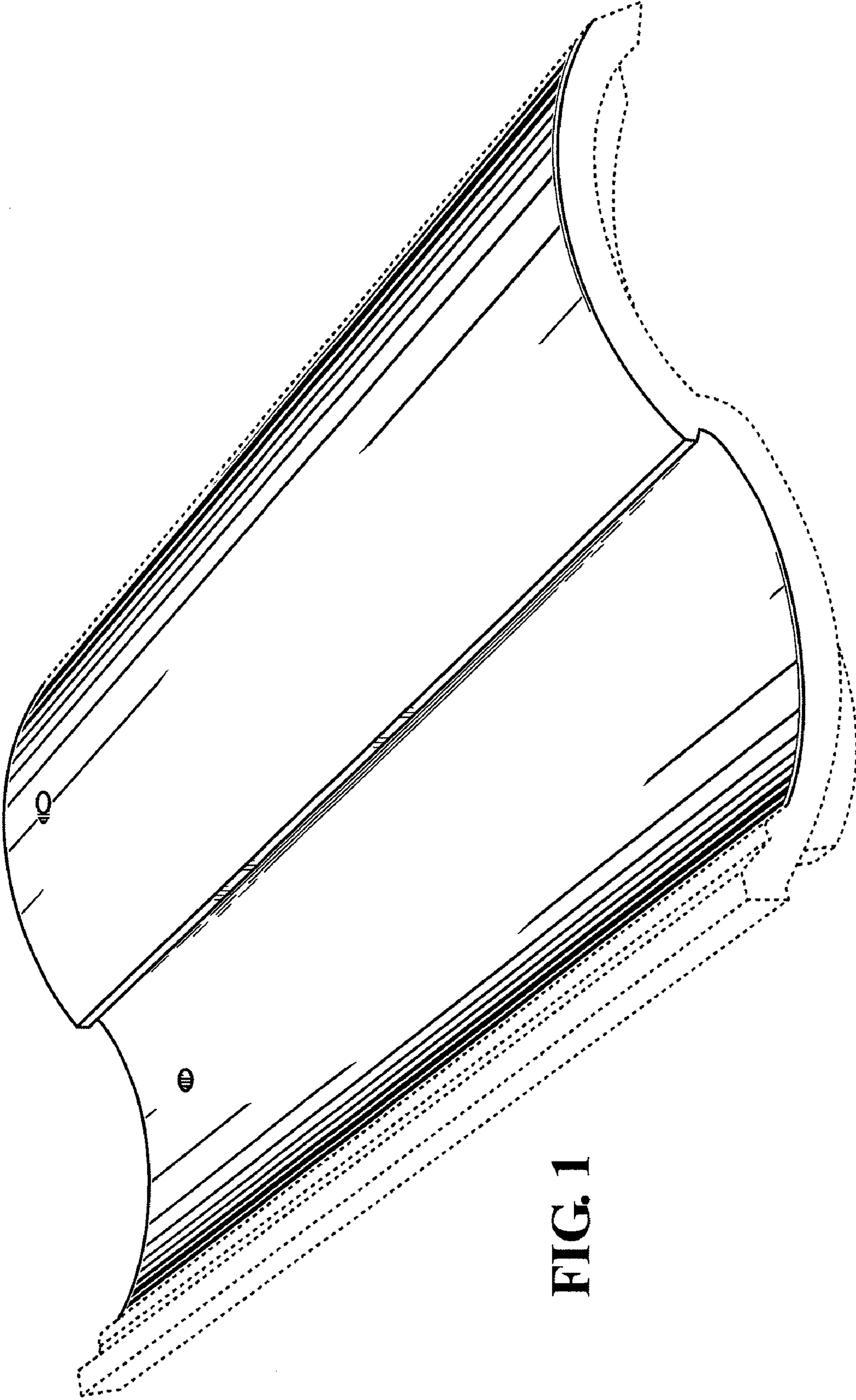


FIG. 1

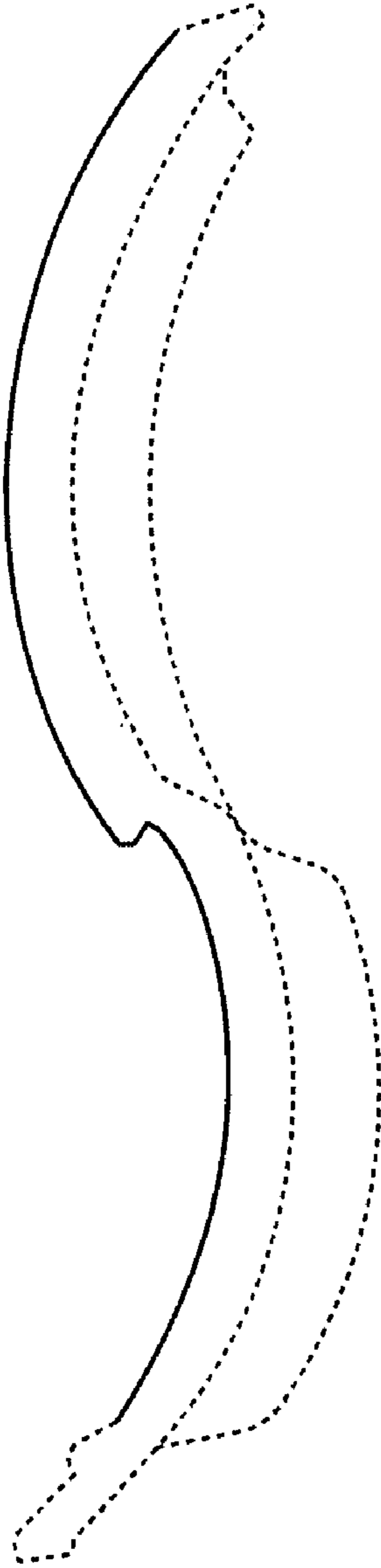


FIG. 2

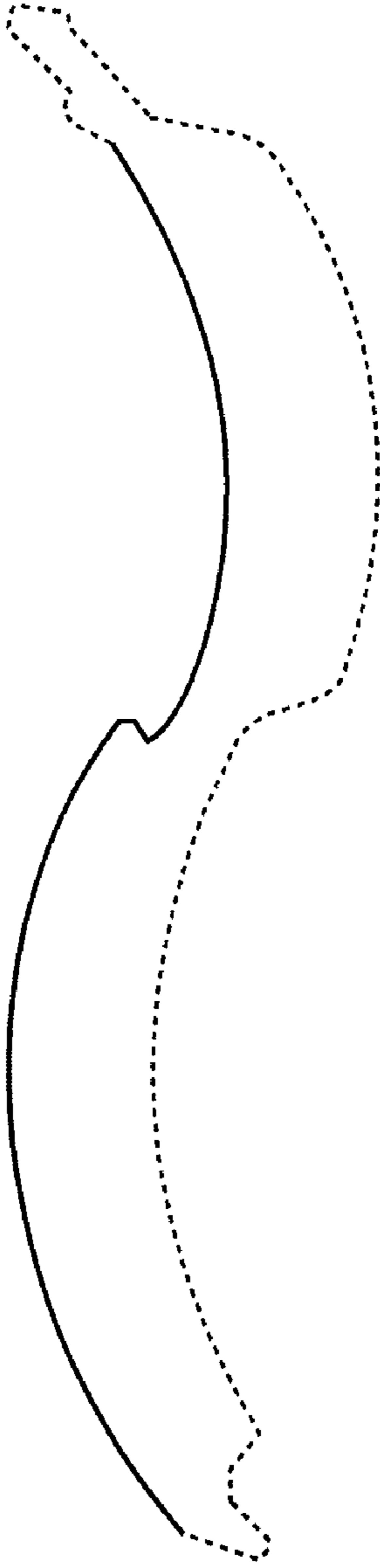


FIG. 3



FIG. 4

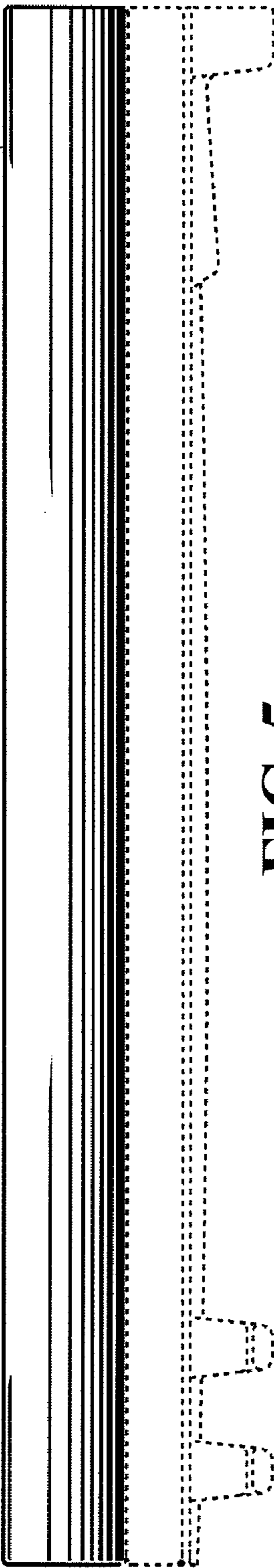


FIG. 5

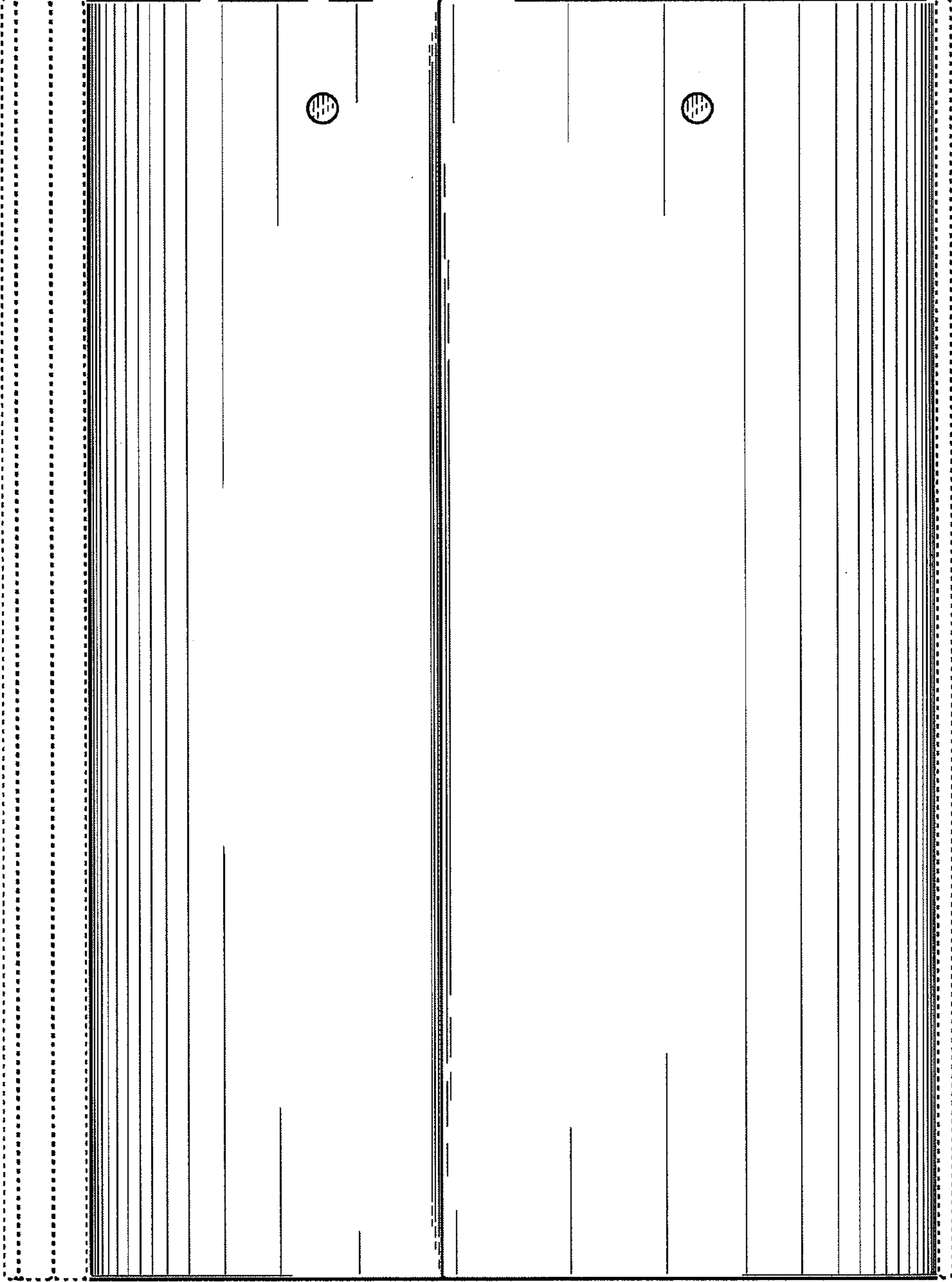


FIG. 6

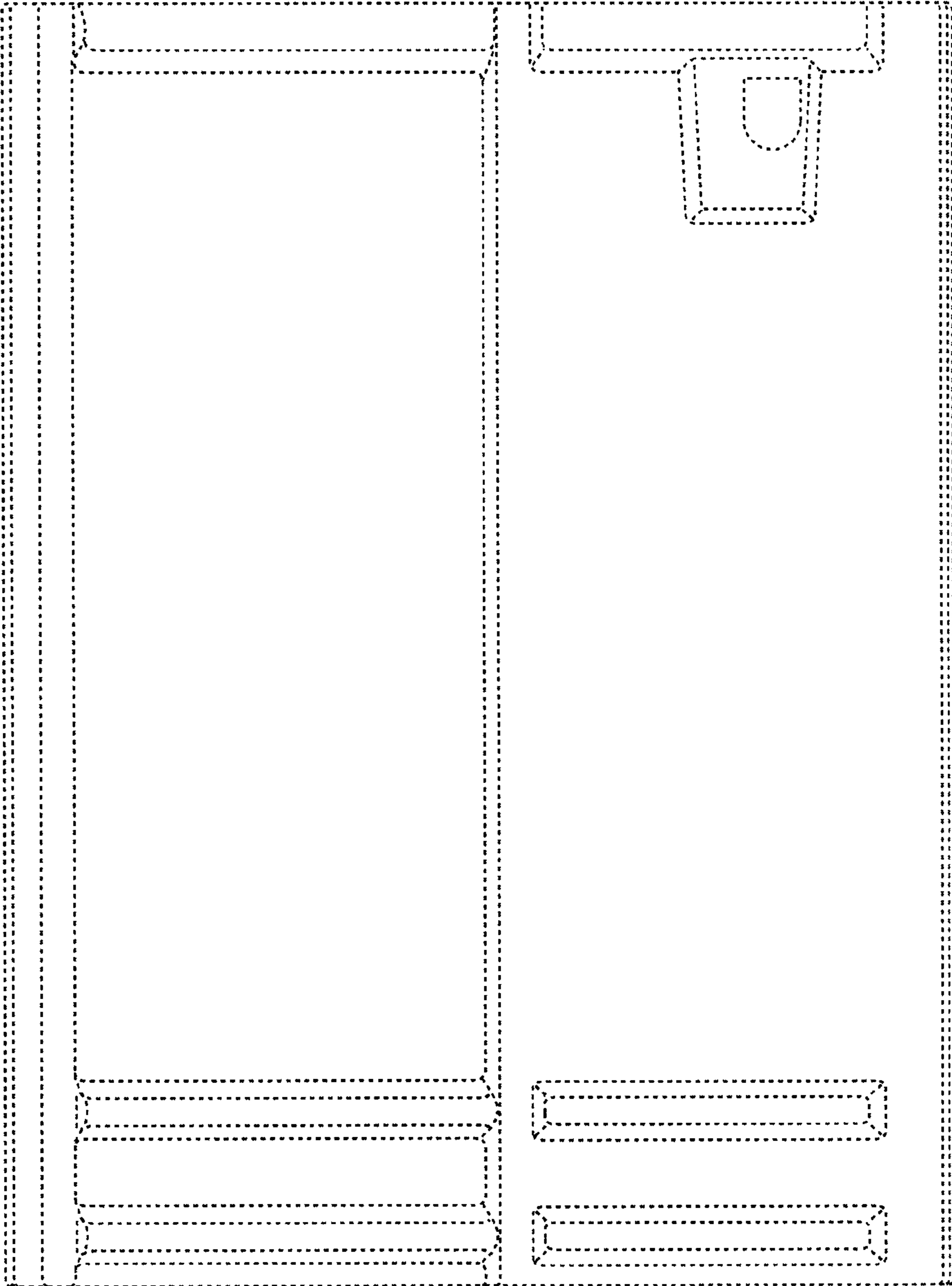


FIG. 7

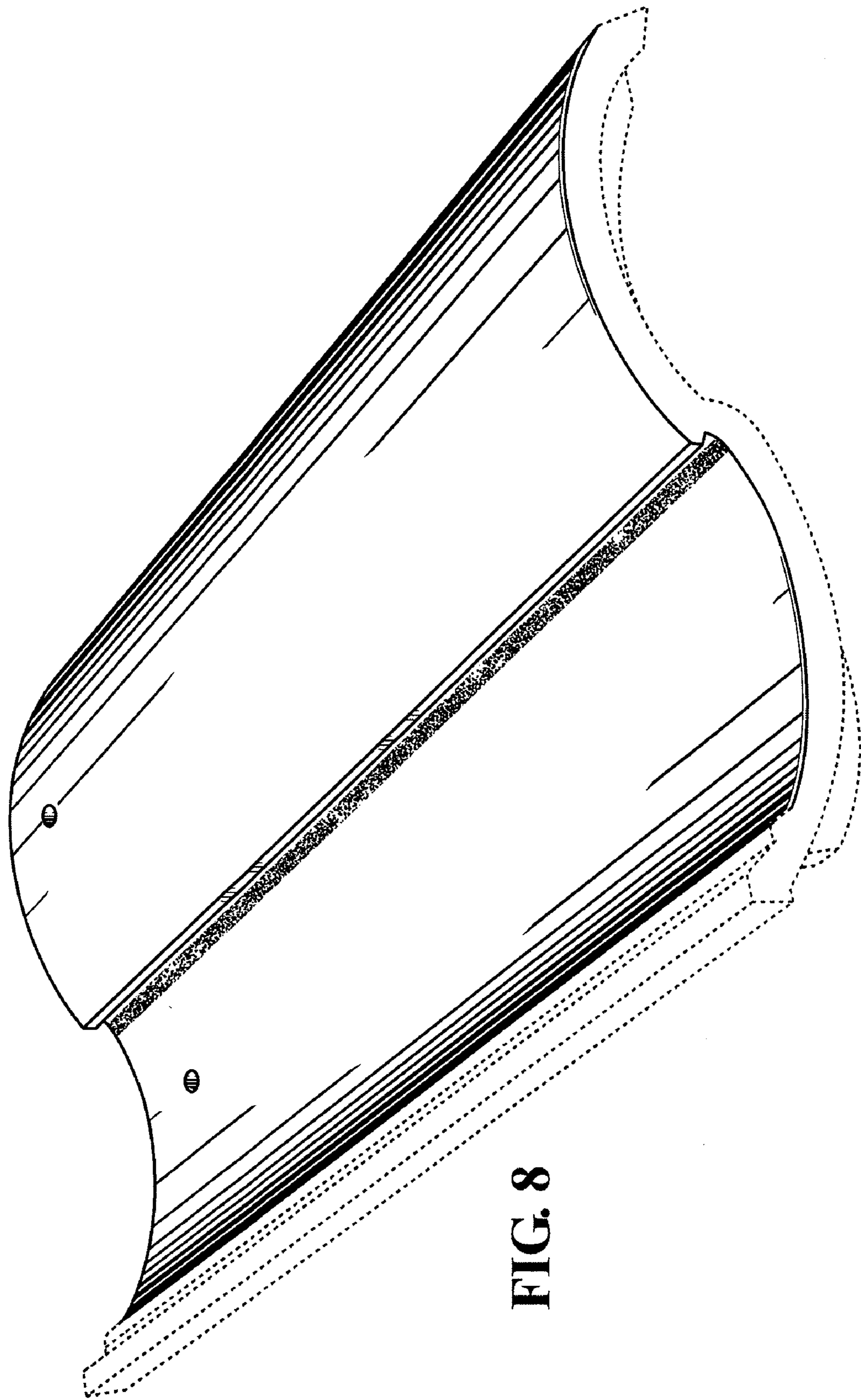


FIG. 8

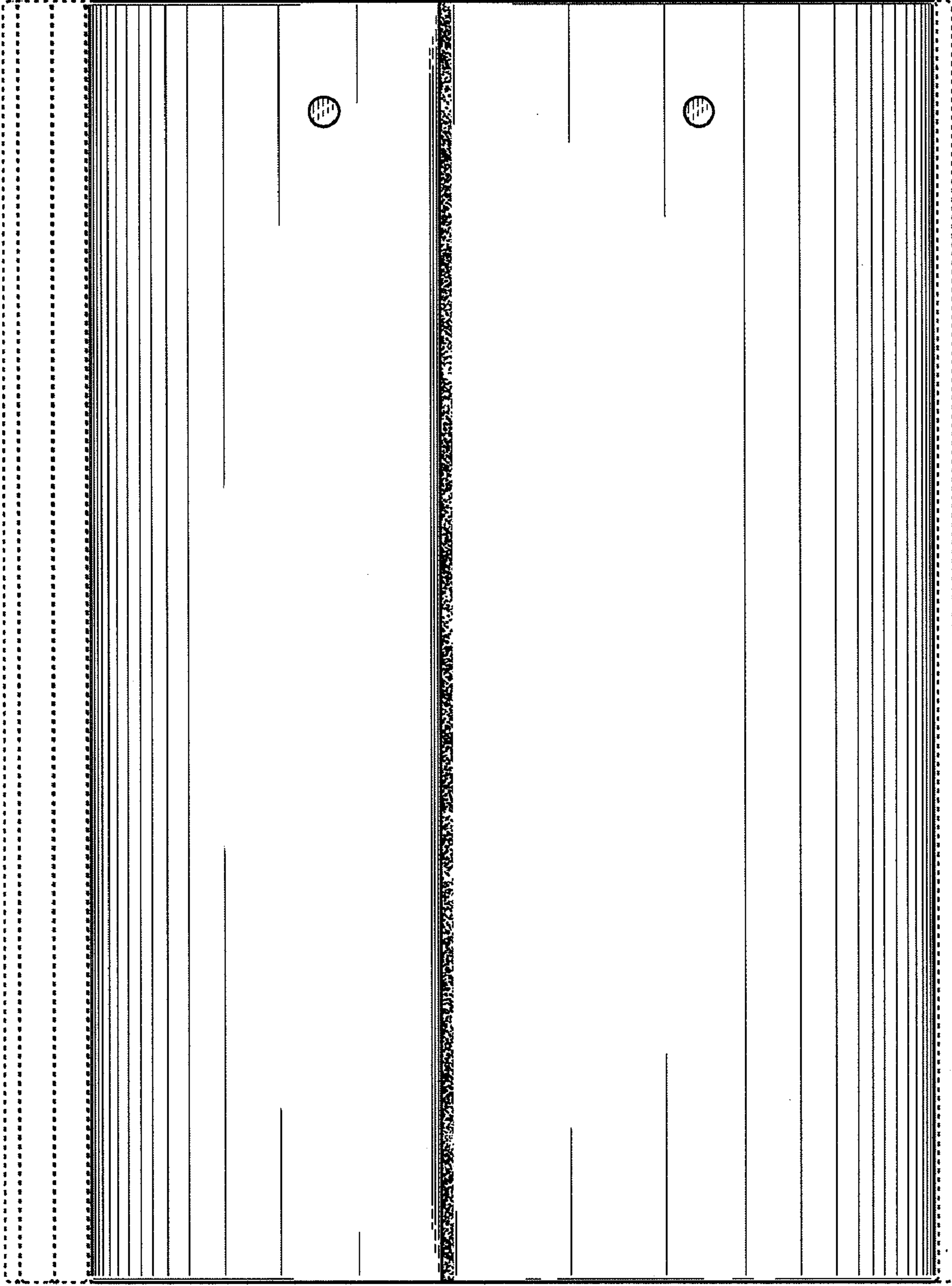


FIG. 9