



US00D608912S

(12) **United States Design Patent**  
**Betty**

(10) **Patent No.:** **US D608,912 S**  
(45) **Date of Patent:** **\*\* Jan. 26, 2010**

(54) **TRAC-BEAM COVER**

6,789,978 B1 \* 9/2004 Yoshinari ..... 403/381  
6,945,305 B1 \* 9/2005 Limauro ..... 160/369

(75) Inventor: **Thomas Richard Betty**, Holly Hill, FL  
(US)

\* cited by examiner

(73) Assignee: **M R Enterprises LLC**, Land O Lakes,  
FL (US)

*Primary Examiner*—Doris Clark  
(74) *Attorney, Agent, or Firm*—Botkin & Hall, LLP

(\*\*) Term: **14 Years**

(57) **CLAIM**

(21) Appl. No.: **29/297,867**

The ornamental design for a trac-beam cover, as shown and described.

(22) Filed: **Nov. 20, 2007**

**DESCRIPTION**

(51) **LOC (9) Cl.** ..... **25-01**

FIG. 1 is a perspective view of the trac-beam cover showing my new design;

(52) **U.S. Cl.** ..... **D25/121**

FIG. 2 is a front view of the design of FIG. 1;

(58) **Field of Classification Search** ..... D25/121;  
160/371, 380, 382, 391, 393, 396, 399, 395,  
160/403, 266, 268.1

FIG. 3 is a side view of the design of FIG. 1;

See application file for complete search history.

FIG. 4 is another side view of the design of FIG. 1;

FIG. 5 is a back view of the design of FIG. 1;

(56) **References Cited**

FIG. 6 is an end view of the design of FIG. 1; and,

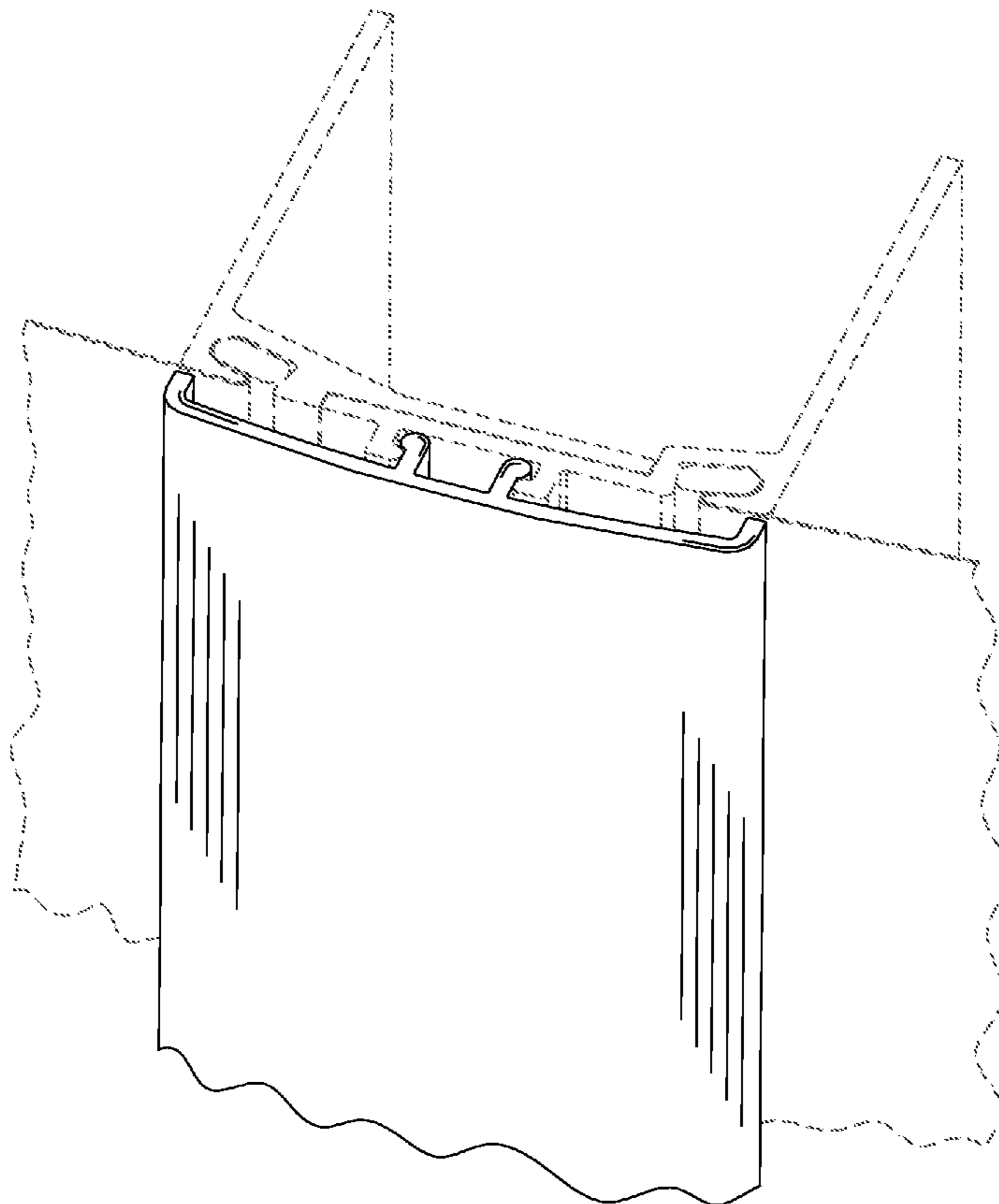
**U.S. PATENT DOCUMENTS**

FIG. 7 is another end view of the design of FIG. 1.

4,899,797	A *	2/1990	Green	.....	160/395
4,947,561	A *	8/1990	Delacroix et al.	.....	38/102.91
5,671,795	A *	9/1997	Keil	.....	160/384
D405,544	S *	2/1999	Magnusson et al.	.....	D25/121
6,032,433	A *	3/2000	Hatziathanasiou	.....	52/742.12
D428,162	S *	7/2000	Eyring et al.	.....	D25/121

The portion of the figures shown in phantom lines is for illustrative purposes only and forms no part of the claimed invention.

**1 Claim, 2 Drawing Sheets**



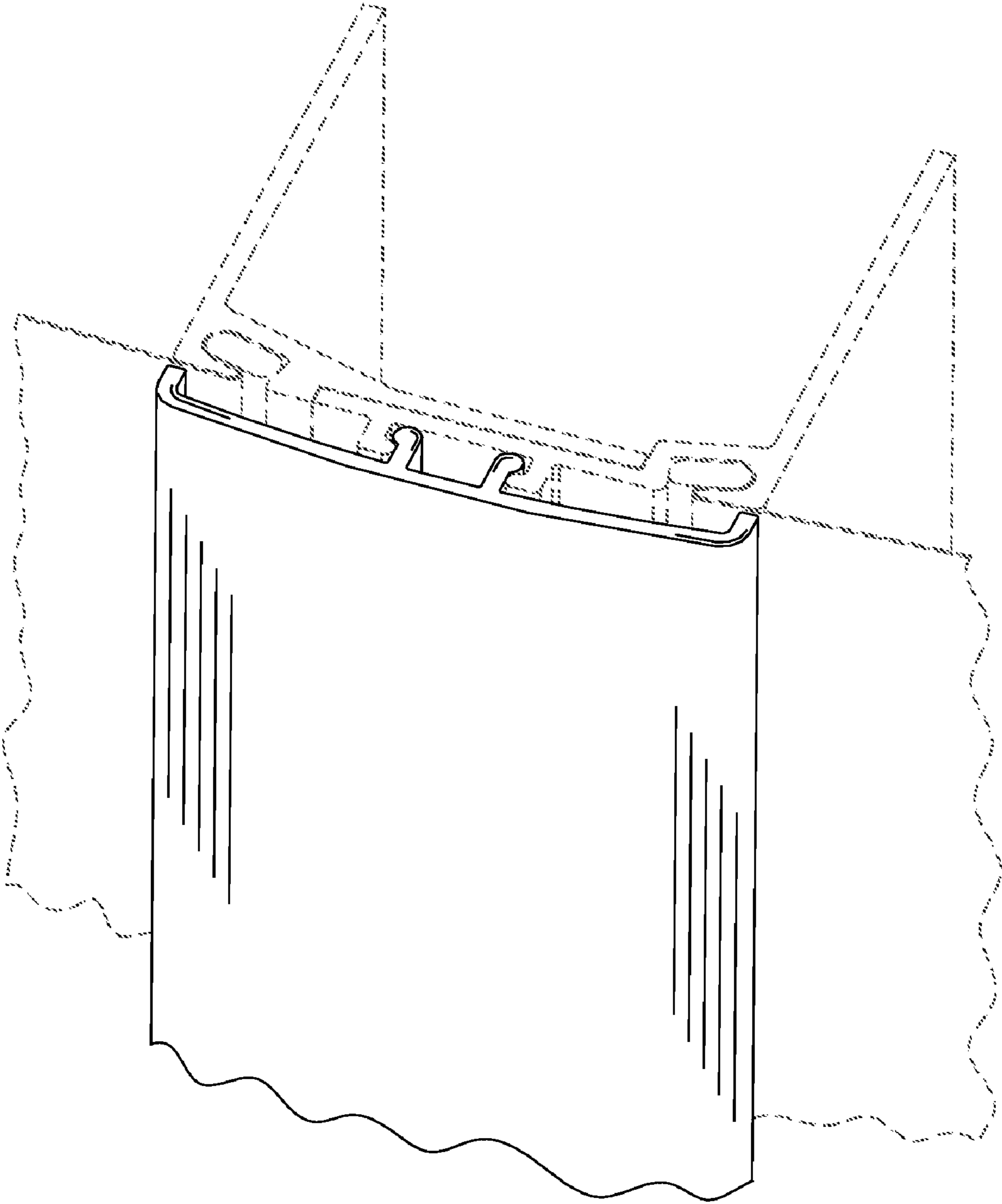


FIG. 1



FIG. 6

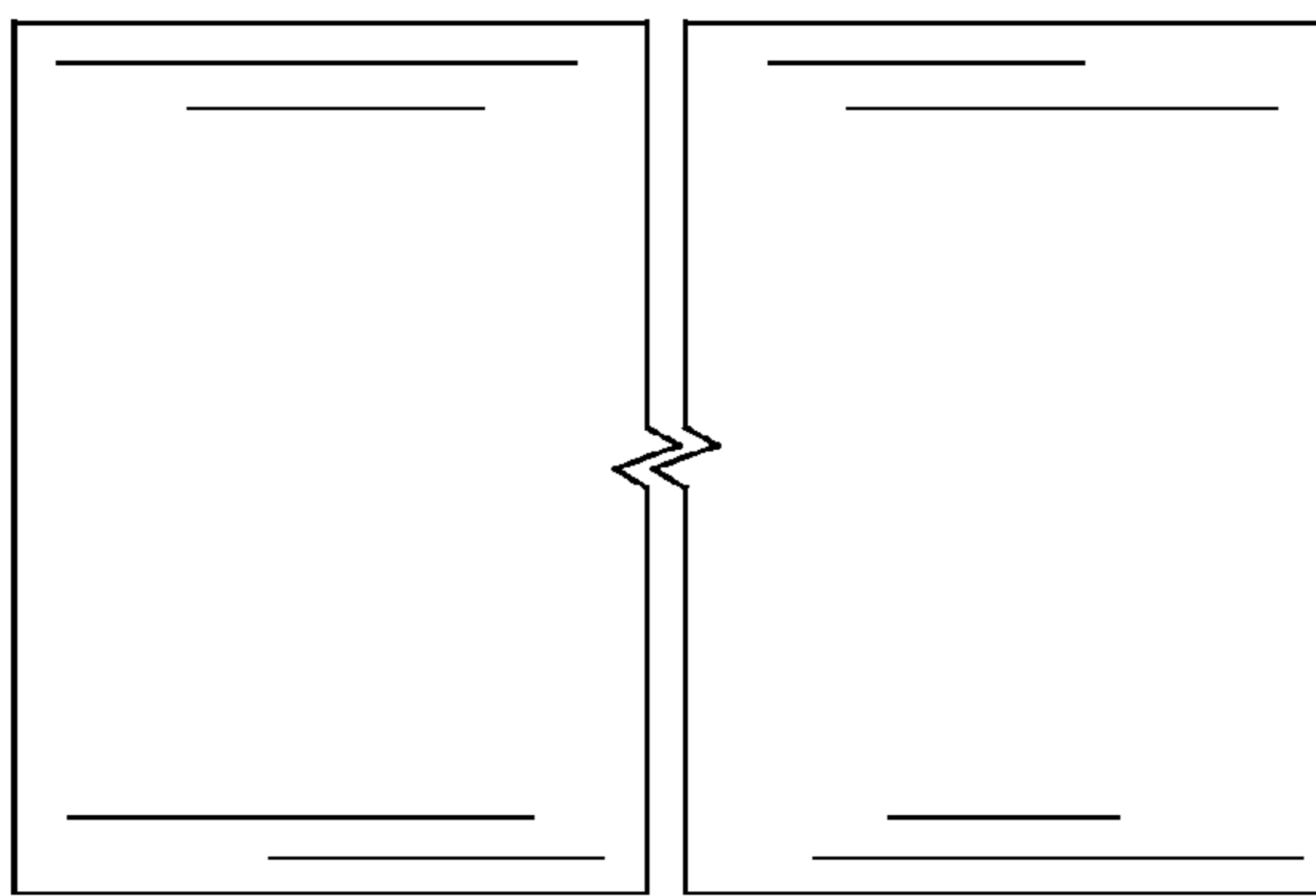


FIG. 2



FIG. 3

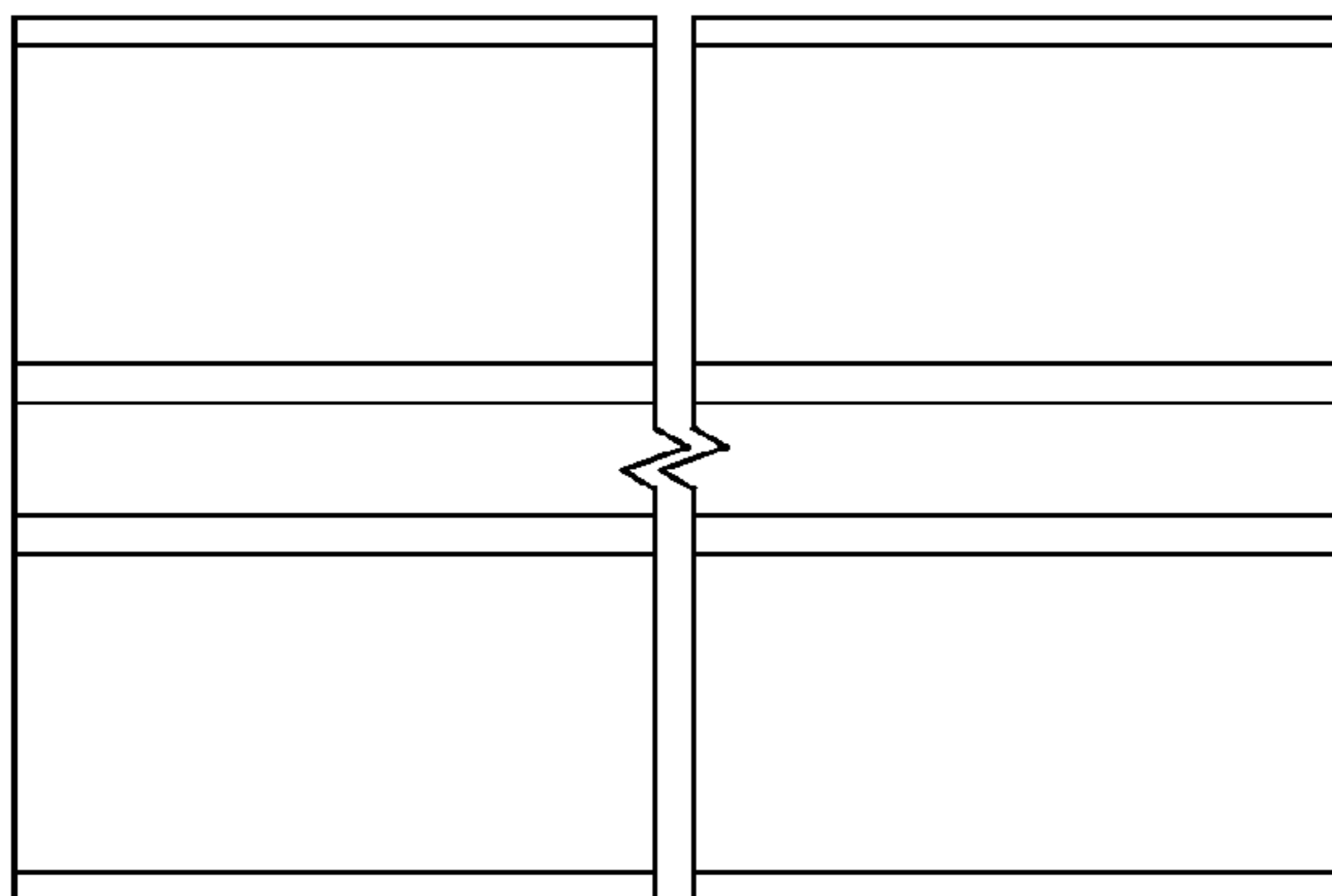


FIG. 5



FIG. 4

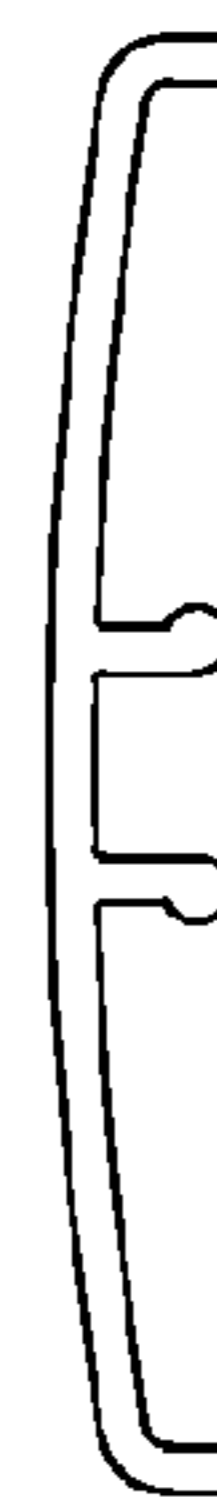


FIG. 7