



US00D608907S

(12) **United States Design Patent**
Stephens

(10) **Patent No.:** **US D608,907 S**
(45) **Date of Patent:** **** Jan. 26, 2010**

(54) **SINGLE HUNG WINDOW SILL MEMBER**

(75) Inventor: **Ronald Lee Stephens**, Lewisville, TX
(US)

(73) Assignee: **Krestmark Industries, L.P.**, Dallas, TX
(US)

(**) Term: **14 Years**

(21) Appl. No.: **29/336,011**

(22) Filed: **Apr. 27, 2009**

(51) **LOC (9) Cl.** **25-02**

(52) **U.S. Cl.** **D25/60**

(58) **Field of Classification Search** D25/124,
D25/125, 60; 52/204.1, 204.5, 204.51, 656.5,
52/656.6, 656.2, 730.3; 49/501, 504, DIG. 2
See application file for complete search history.

(56) **References Cited**

U.S. PATENT DOCUMENTS

D243,680 S	3/1977	Dallaire	
D344,597 S *	2/1994	Bancroft	D25/124
D344,600 S *	2/1994	Bancroft	D25/124
D353,471 S *	12/1994	Cole	D25/124
D358,663 S *	5/1995	Hosseini et al.	D25/124
5,522,196 A *	6/1996	Conroy et al.	52/223.9
5,557,894 A *	9/1996	Card	52/204.595
D392,751 S *	3/1998	Oliver	D25/124

D430,940 S *	9/2000	Goss	D25/124
6,293,049 B1	9/2001	Shaw	
6,457,287 B1	10/2002	Wilcox	
D496,740 S *	9/2004	Franson	D25/124
6,848,225 B2	2/2005	Lapierre	
D511,842 S *	11/2005	Kim	D25/60
D537,538 S *	2/2007	Wickland	D25/124

* cited by examiner

Primary Examiner—Doris Clark

(74) *Attorney, Agent, or Firm*—Sonnenschein Nath & Rosenthal LLP

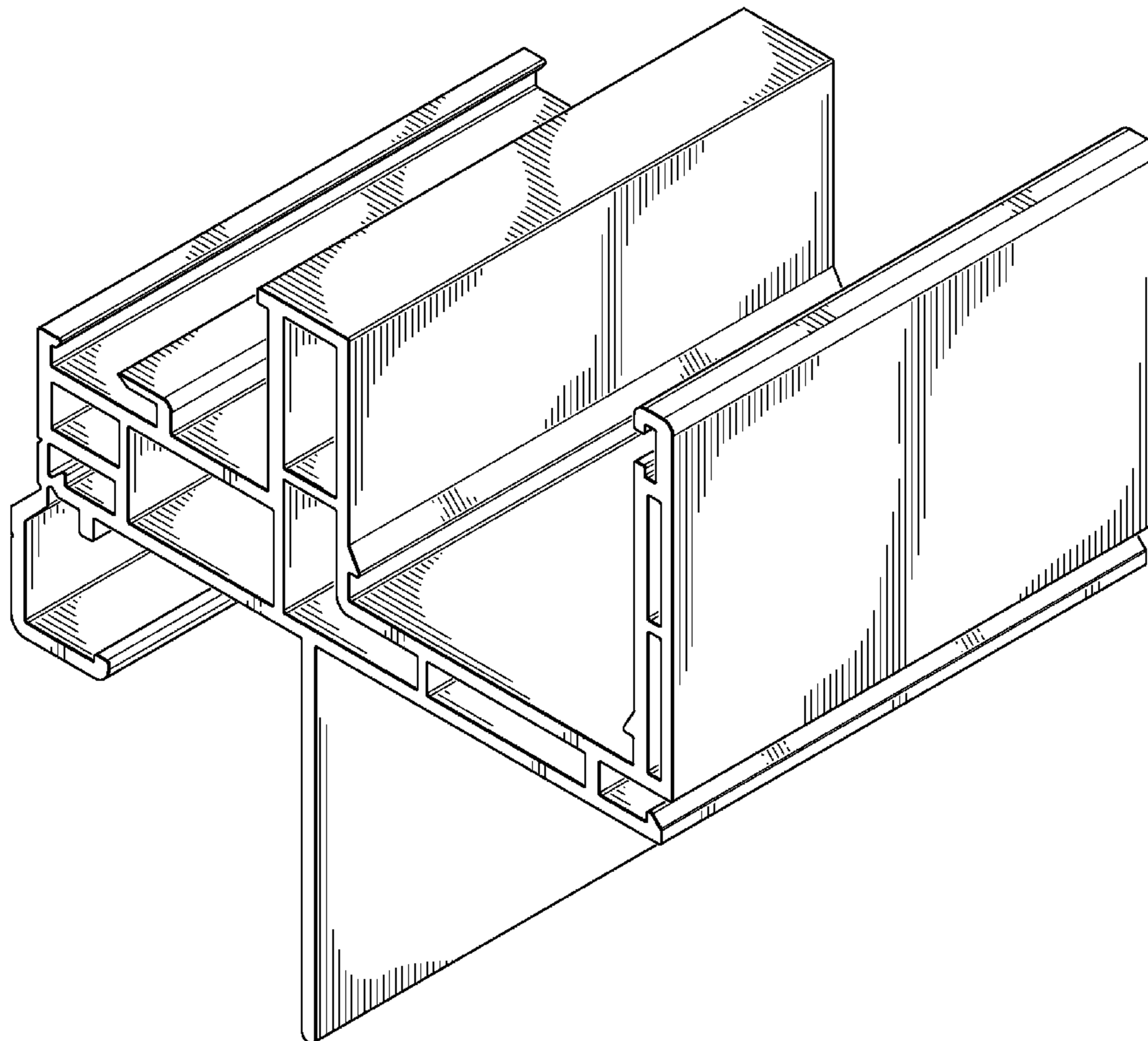
(57) **CLAIM**

The ornamental design for a single hung window sill member, as shown and described.

DESCRIPTION

FIG. 1 is a perspective view of a single hung window sill member showing my new design;
FIG. 2 is a first end view thereof;
FIG. 3 is a second end view thereof;
FIG. 4 is a right, elevation view thereof;
FIG. 5 is a left, elevation view thereof;
FIG. 6 is a top view thereof; and,
FIG. 7 is a bottom view thereof.

1 Claim, 7 Drawing Sheets



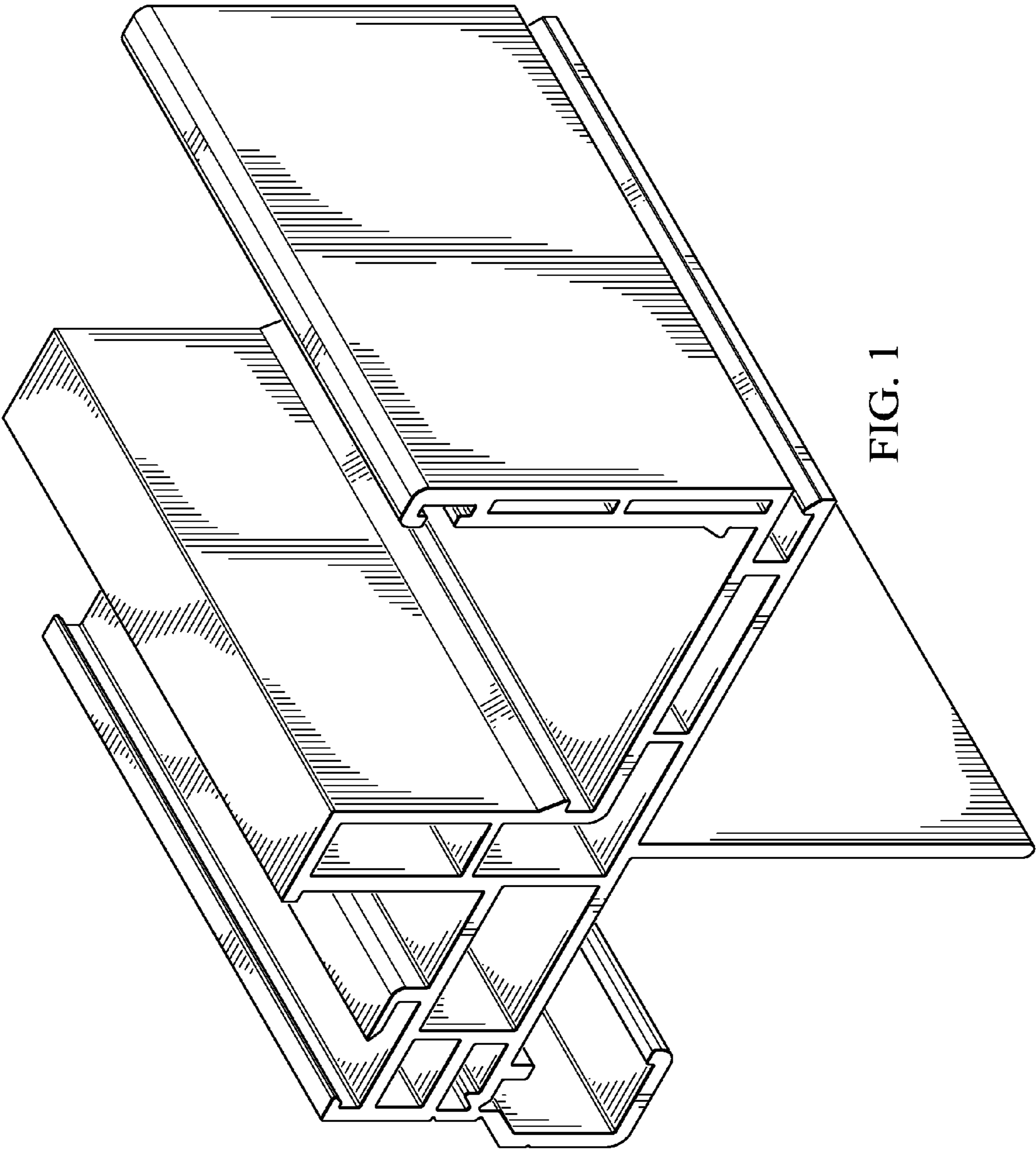


FIG. 1

FIG. 2

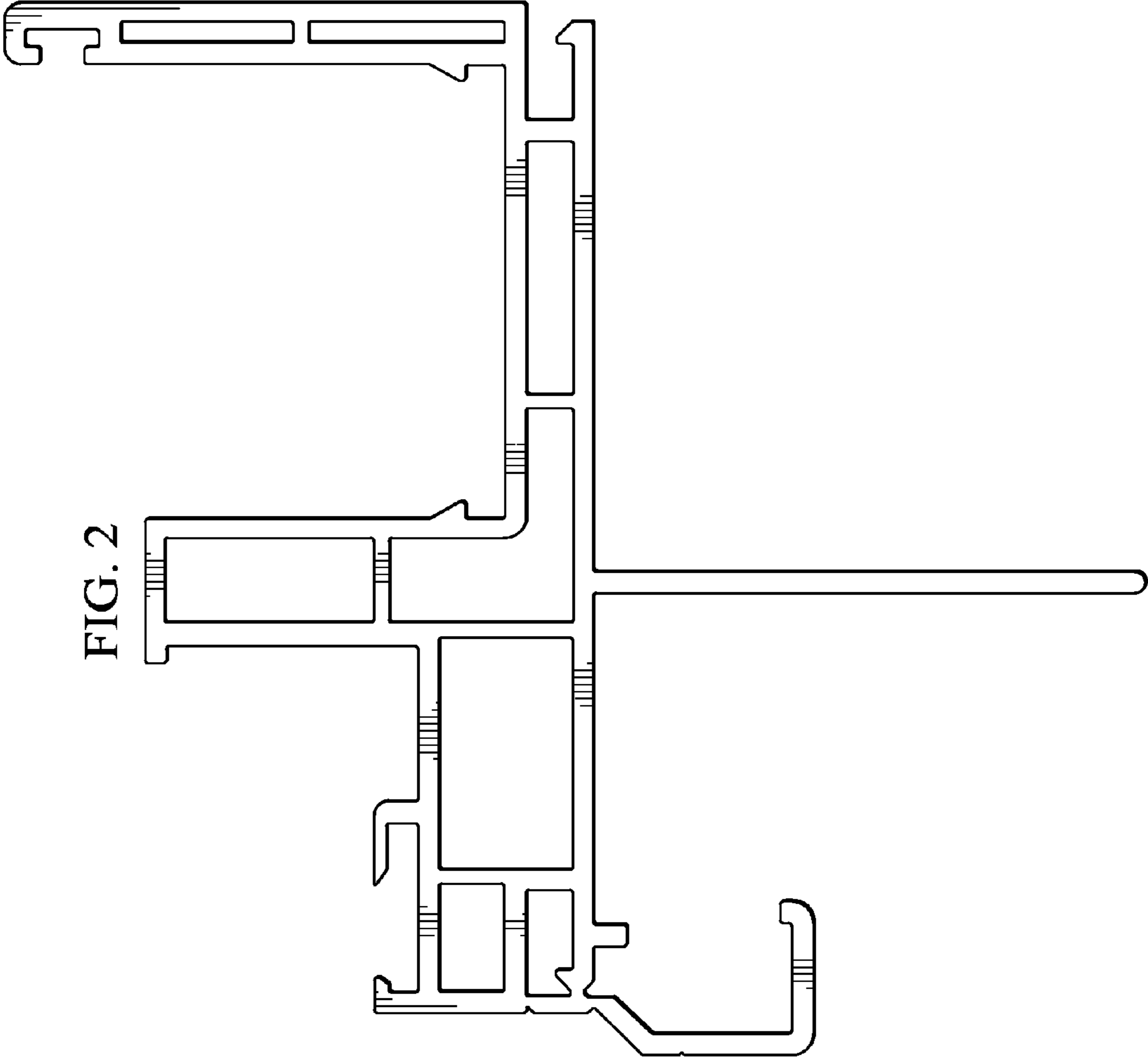


FIG. 3

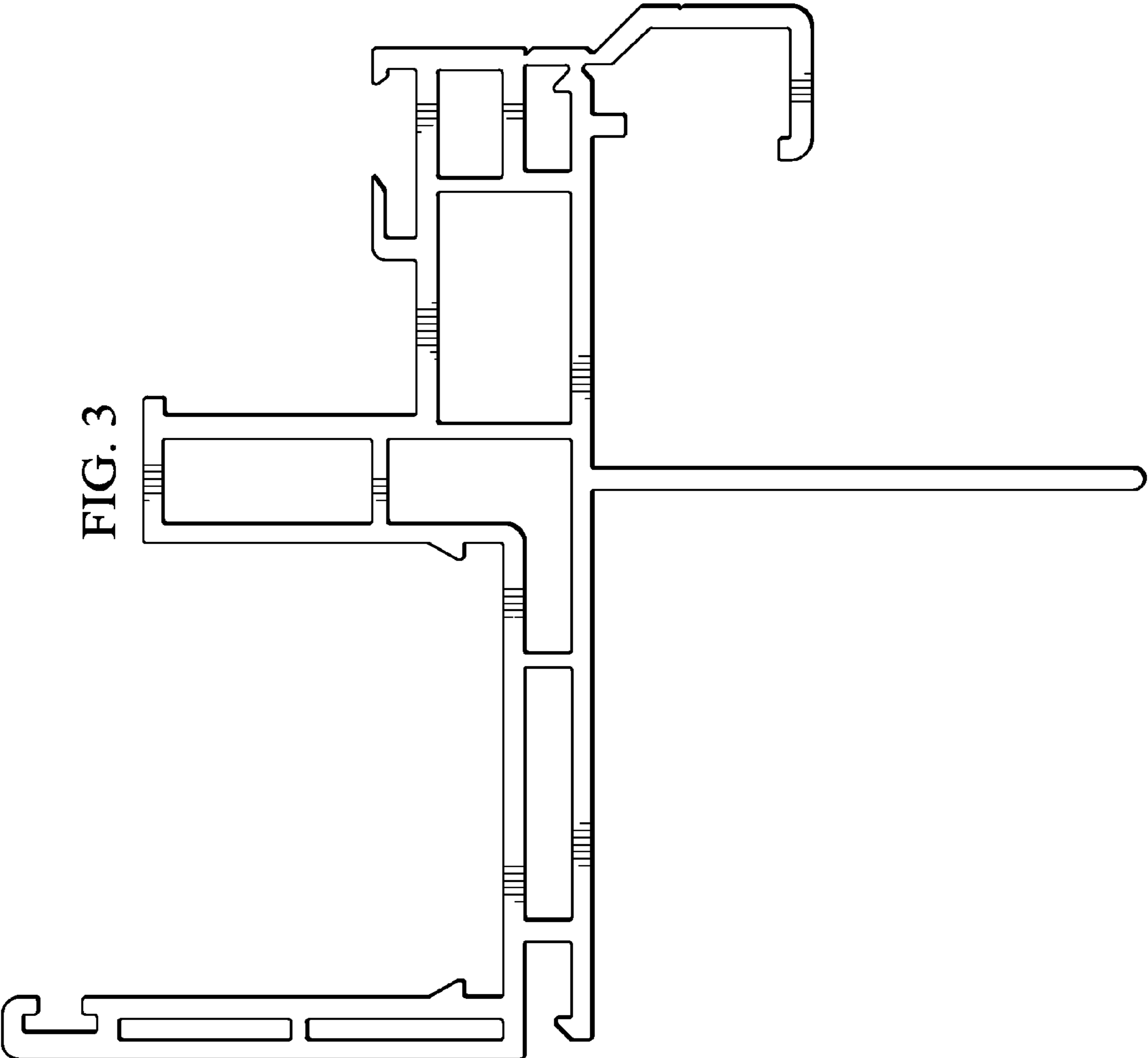


FIG. 4

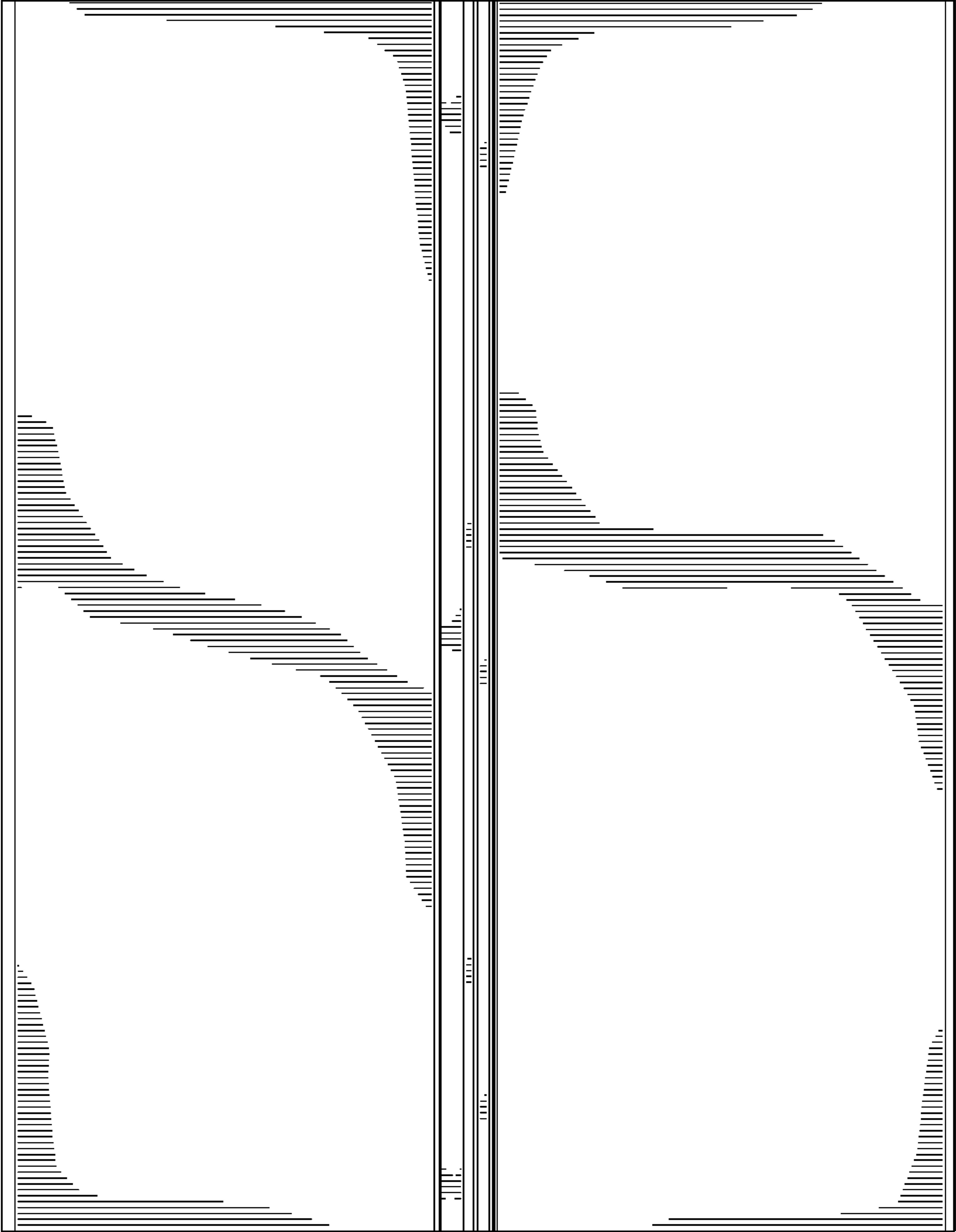


FIG. 5

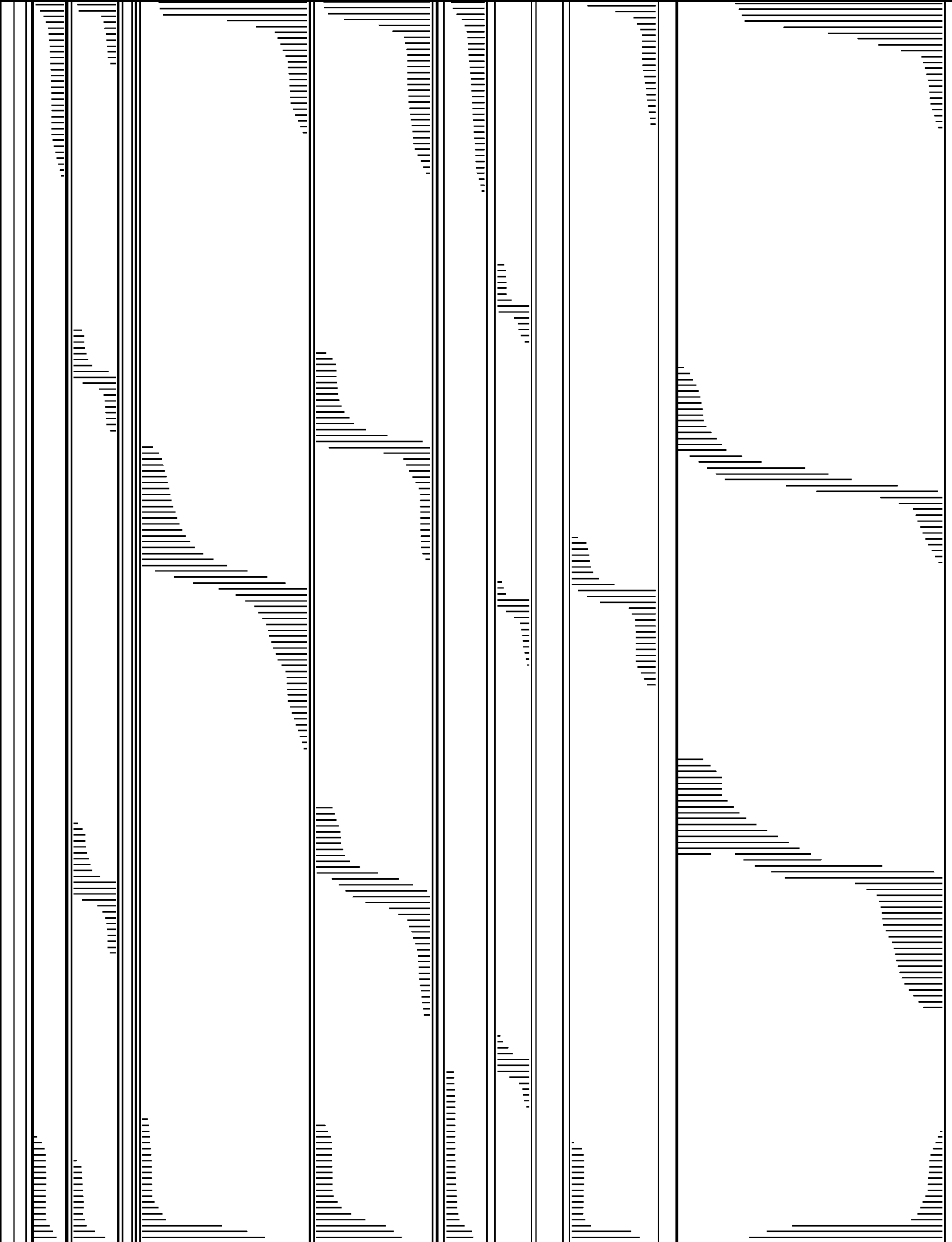


FIG. 6

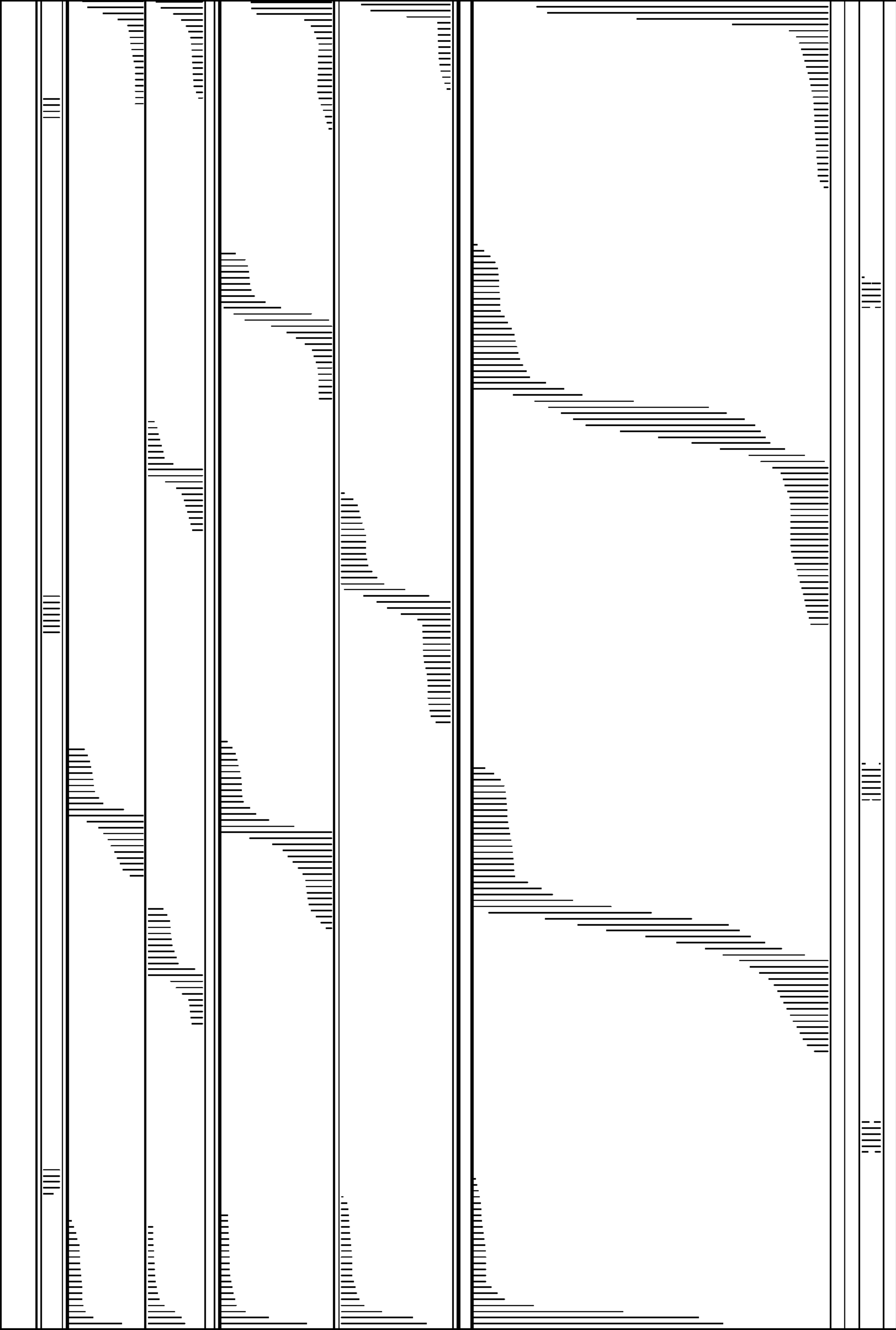


FIG. 7

