



US00D608902S

(12) **United States Design Patent**
Gill et al.

(10) **Patent No.:** **US D608,902 S**
(45) **Date of Patent:** **** *Jan. 26, 2010**

(54) **FIBERGLASS SWIMMING POOL**

(75) Inventors: **Ashley John Gill**, New Braunfels, TX (US); **Kerry Pain**, Yatala (AU)

(73) Assignee: **Leisure Pools USA Holdings LLP**, New Braunfels, TX (US)

(**) Term: **14 Years**

(21) Appl. No.: **29/278,237**

(22) Filed: **Mar. 22, 2007**

(51) **LOC (9) Cl.** **25-03**

(52) **U.S. Cl.** **D25/2**

(58) **Field of Classification Search** D25/2;
D24/204; 4/488, 506

See application file for complete search history.

(56) **References Cited**

U.S. PATENT DOCUMENTS

D446,313 S *	8/2001	Sullivan	D25/2
D455,838 S	4/2002	Erdelac		
D490,903 S	6/2004	Erdelac		
D491,277 S	6/2004	Erdelac et al.		
D509,902 S *	9/2005	Sullivan	D25/2
D509,903 S *	9/2005	Sullivan	D25/2
D510,630 S *	10/2005	Sullivan	D25/2
D514,708 S	2/2006	Sullivan		
D546,474 S	7/2007	Sullivan		

OTHER PUBLICATIONS

http://www.leisurepoolsusa.com/Elegant/Elegance_Australian_Blue_pg4.htm Sep. 10, 2007.*
http://www.leisurepoolsusa.com/Elegant/Moroccan_Outback_Blue_pg2.htm Sep. 10, 2007.*
http://www.leisurepoolsusa.com/Elegant/Elegance_Australian_Blue_pg12.htm Sep. 10, 2007.*
U.S. Appl. No. 29/276,001 as filed Jan. 11, 2007.
U.S. Appl. No. 29/276,001; Office Action, Oct. 12, 2007.
U.S. Appl. No. 29/276,001; Notice of Allowance, Aug. 8, 2008.

* cited by examiner

Primary Examiner—T. Chase Nelson

Assistant Examiner—Kathleen M Sims

(74) *Attorney, Agent, or Firm*—Marcus Benavides; Carr LLP

(57) **CLAIM**

We claim the ornamental design for a fiberglass swimming pool, as shown and described.

DESCRIPTION

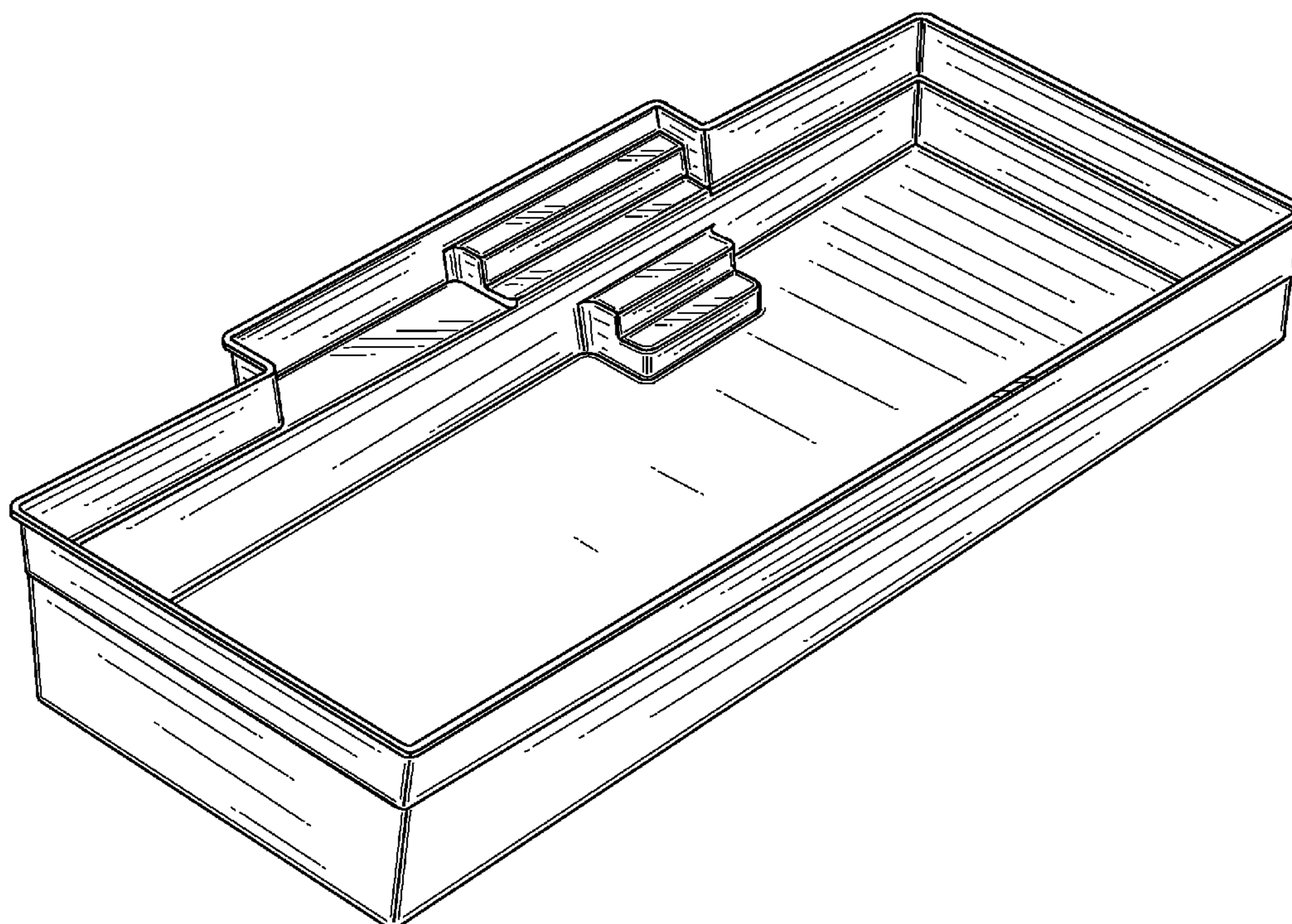
FIG. 1 is a front elevational view showing our new design for a fiberglass swimming pool;

FIG. 2 is a top plan view thereof;

FIG. 3 is a cross sectional view taken along lines 3—3 of FIG. 2; and,

FIG. 4 is a cross sectional view taken along lines 4—4 of FIG. 2.

1 Claim, 3 Drawing Sheets



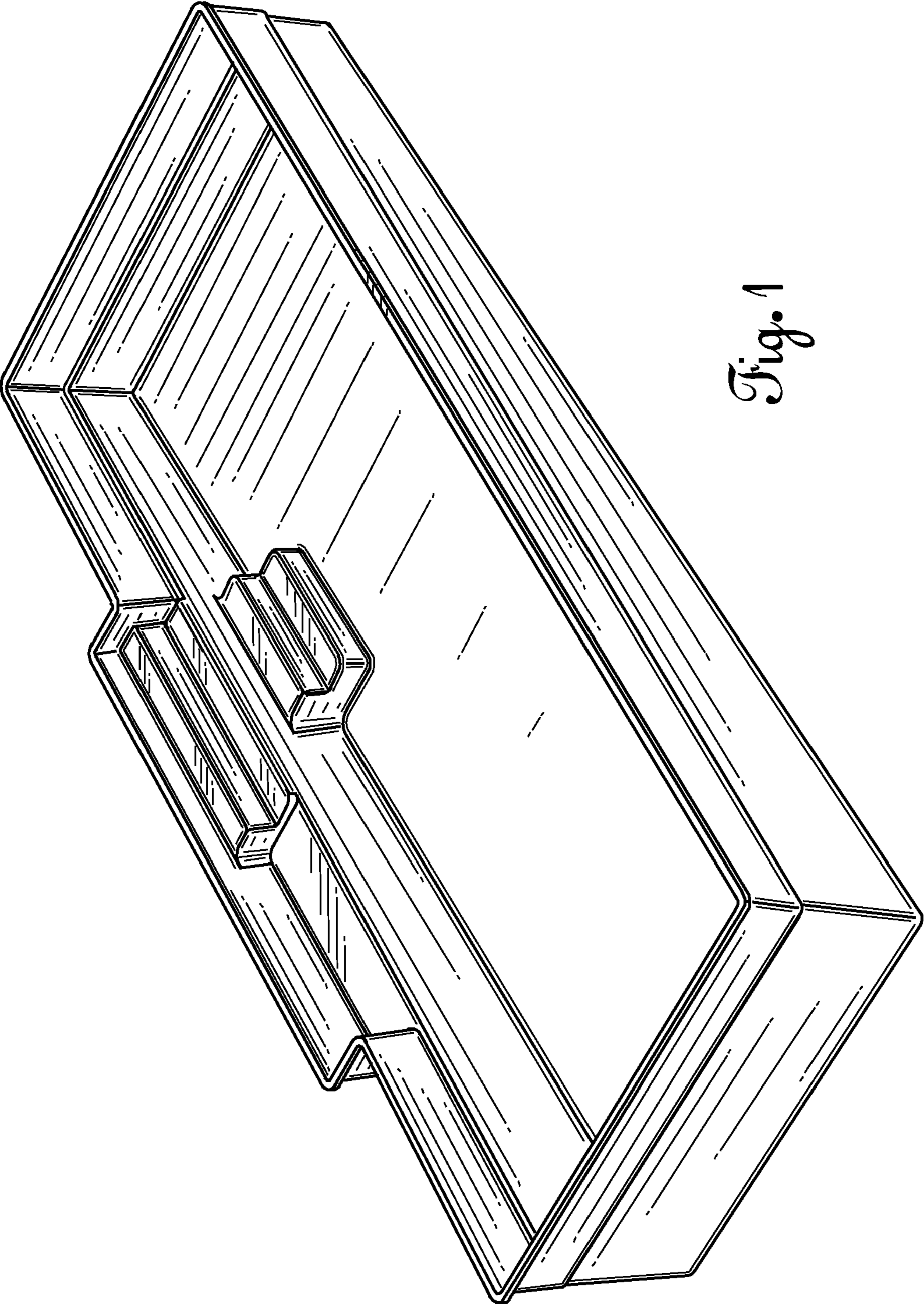


Fig. 1

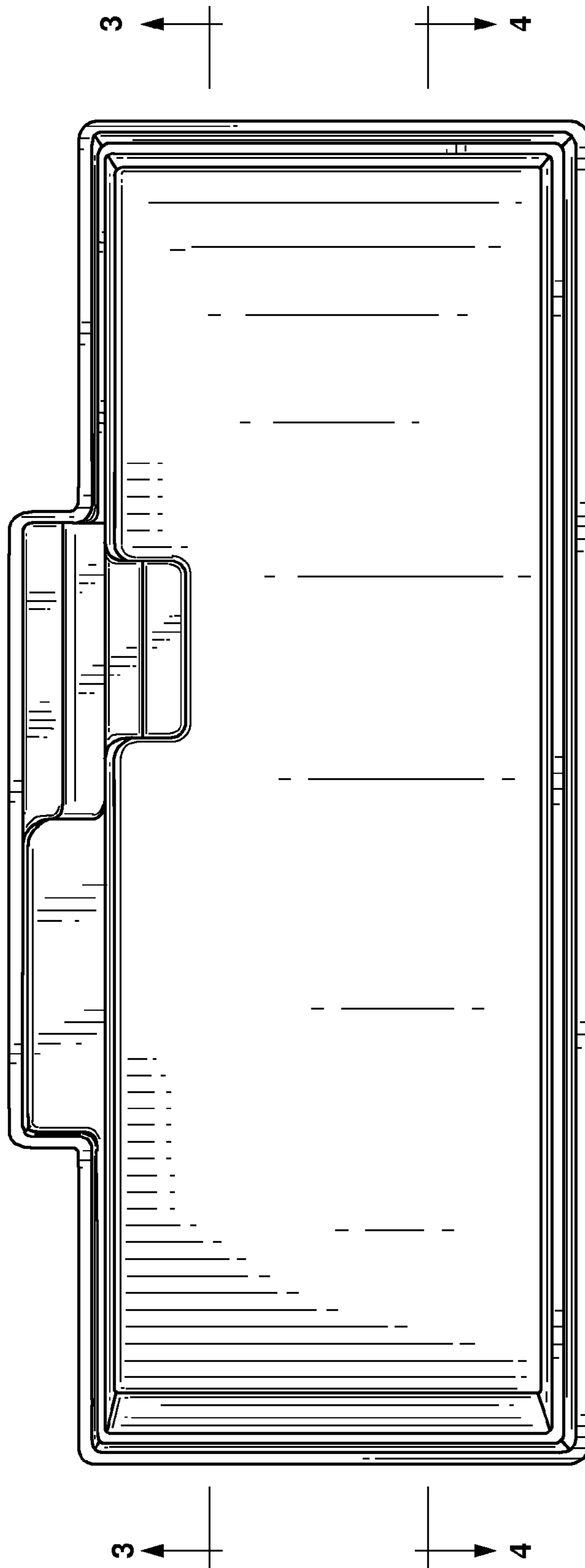


Fig. 2

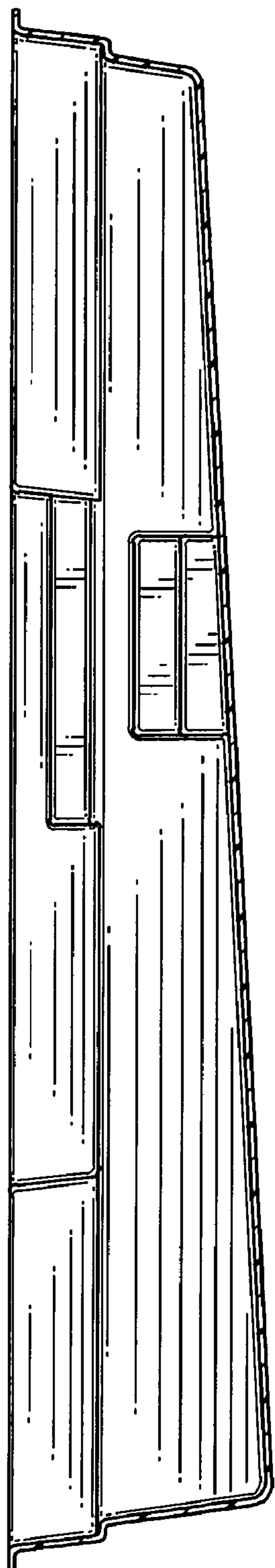


Fig. 3

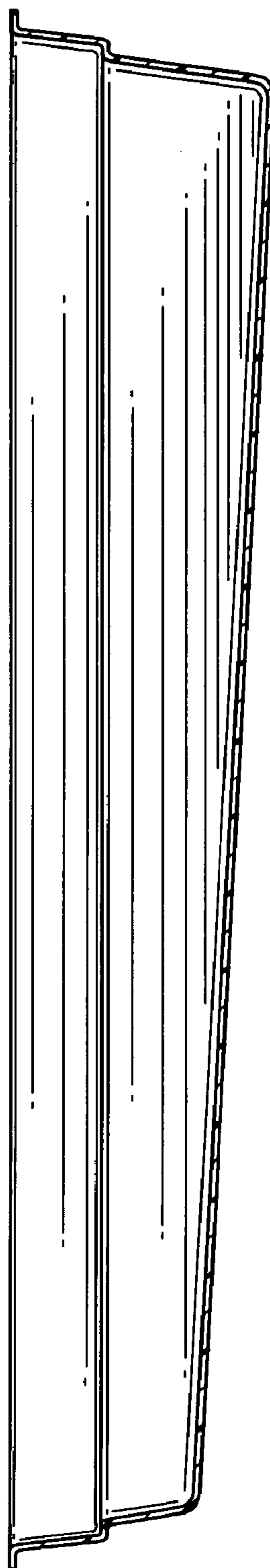


Fig. 4