



US00D608900S

(12) **United States Design Patent**  
**Giraud et al.**

(10) **Patent No.:** **US D608,900 S**  
(45) **Date of Patent:** **\*\* Jan. 26, 2010**

(54) **IDENTIFICATION COMPONENT FOR A VIAL**

(75) Inventors: **Jean-Pierre Giraud**, Paris (FR); **Bruce Rabinne**, Boissy le Chatel (FR); **Mathieu Meugnier**, Bretigny sur Orge (FR); **David Chedotal**, Griesheim Pres Molsheim (FR)

(73) Assignee: **CSP Technologies, Inc.**, Amsterdam, NY (US)

(\*\*) Term: **14 Years**

(21) Appl. No.: **29/333,362**

(22) Filed: **Mar. 6, 2009**

(51) **LOC (9) Cl.** ..... **24-01**

(52) **U.S. Cl.** ..... **D24/216; D24/231; D24/232**

(58) **Field of Classification Search** ..... D24/107, D24/121, 164-165, 167, 169, 186-187, 216, D24/224-225, 231, 232; D9/434-435, 439, D9/452-454, 686, 688; 600/573-576; 422/56, 422/58, 61, 99-104, 215; 128/903, 671  
See application file for complete search history.

(56) **References Cited**

**U.S. PATENT DOCUMENTS**

- D309,863 S \* 8/1990 Baxter ..... D9/453
- D315,680 S \* 3/1991 Baxter ..... D9/439
- D357,985 S \* 5/1995 Burns ..... D24/224
- D383,851 S \* 9/1997 Wong ..... D24/225

- D420,744 S \* 2/2000 Ostgaard et al. .... D24/224
- D457,247 S \* 5/2002 Itheme et al. .... D24/216
- D481,801 S \* 11/2003 Whitley ..... D9/452
- D509,738 S \* 9/2005 Kovara et al. .... D9/454
- D534,802 S \* 1/2007 German ..... D9/453
- D543,108 S \* 5/2007 Reed et al. .... D9/453
- D544,959 S \* 6/2007 Sudo ..... D24/121
- D547,443 S \* 7/2007 Sudo ..... D24/121
- D562,462 S \* 2/2008 Muir et al. .... D24/224
- D595,424 S \* 6/2009 Stvartak et al. .... D24/231

\* cited by examiner

*Primary Examiner*—T. Chase Nelson

*Assistant Examiner*—Mark Cavanna

(74) *Attorney, Agent, or Firm*—McAndrews, Held & Malloy, Ltd.

(57) **CLAIM**

The ornamental design for an identification component for a vial, as shown and described.

**DESCRIPTION**

FIG. 1 is a bottom perspective view of an identification component for a vial showing our new design;

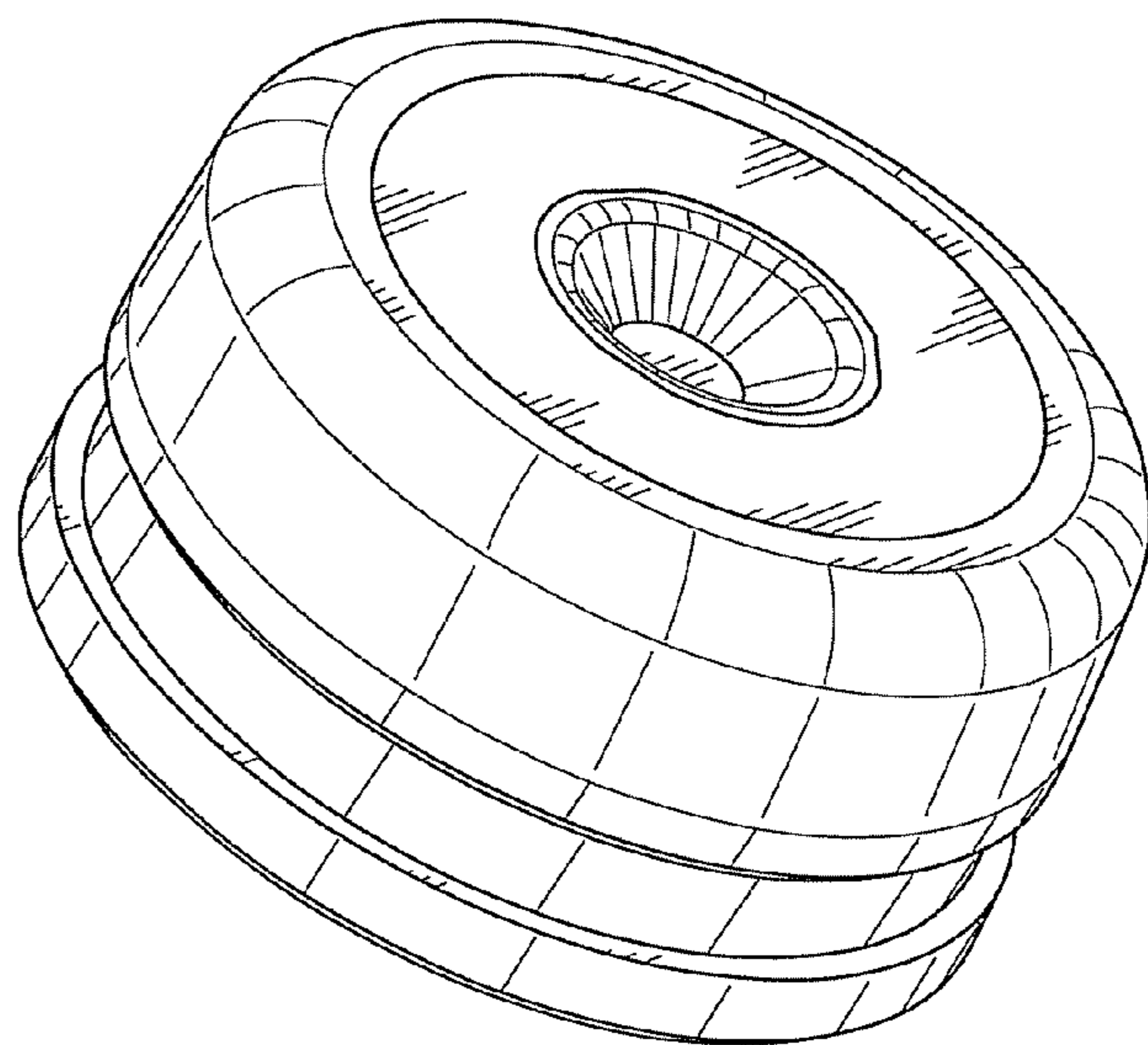
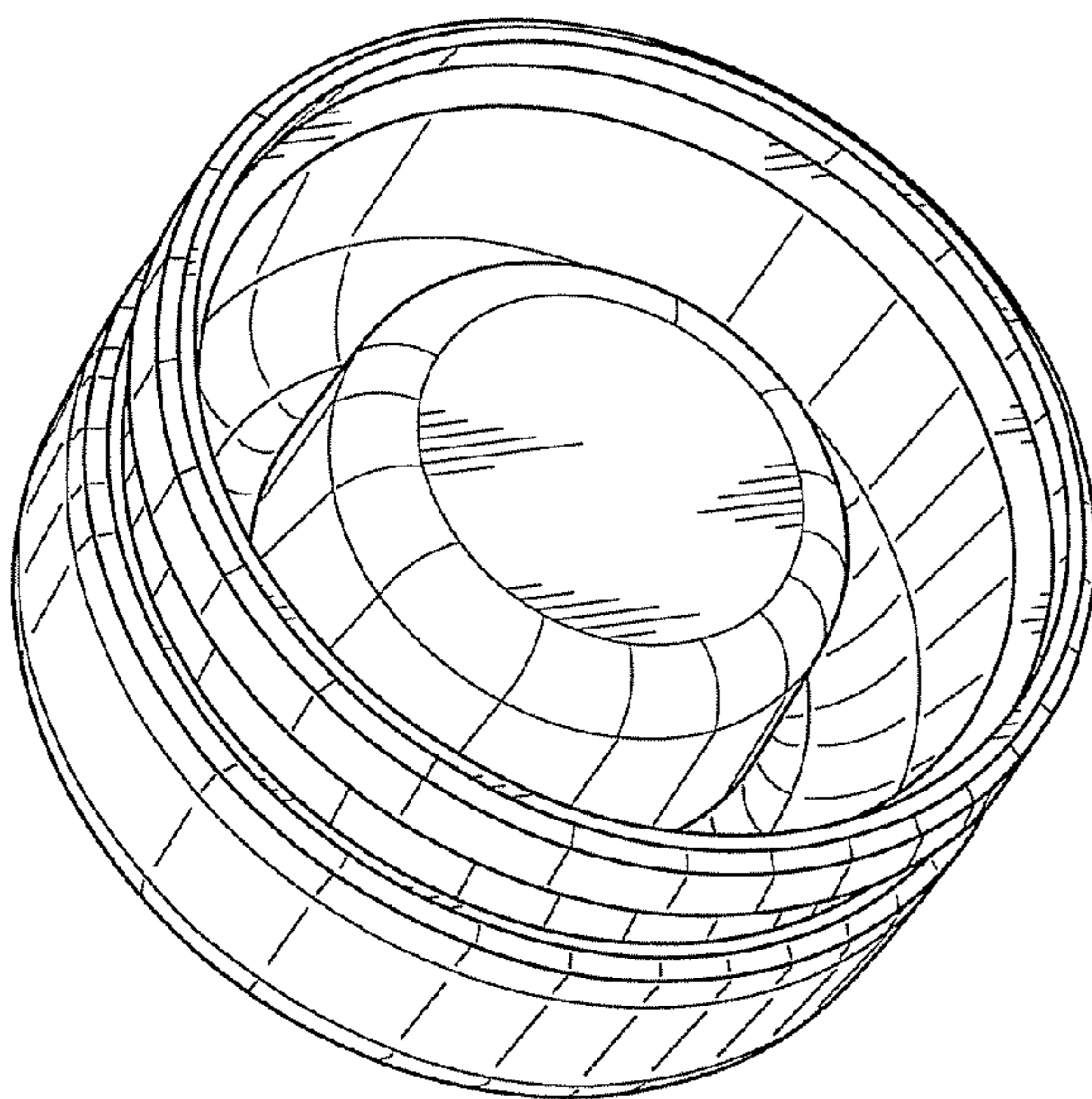
FIG. 2 is a top perspective view thereof;

FIG. 3 is a bottom plan view thereof;

FIG. 4 is a top plan view thereof; and,

FIG. 5 is a right side elevation view thereof; the left side elevation view being a mirror image thereof.

**1 Claim, 3 Drawing Sheets**



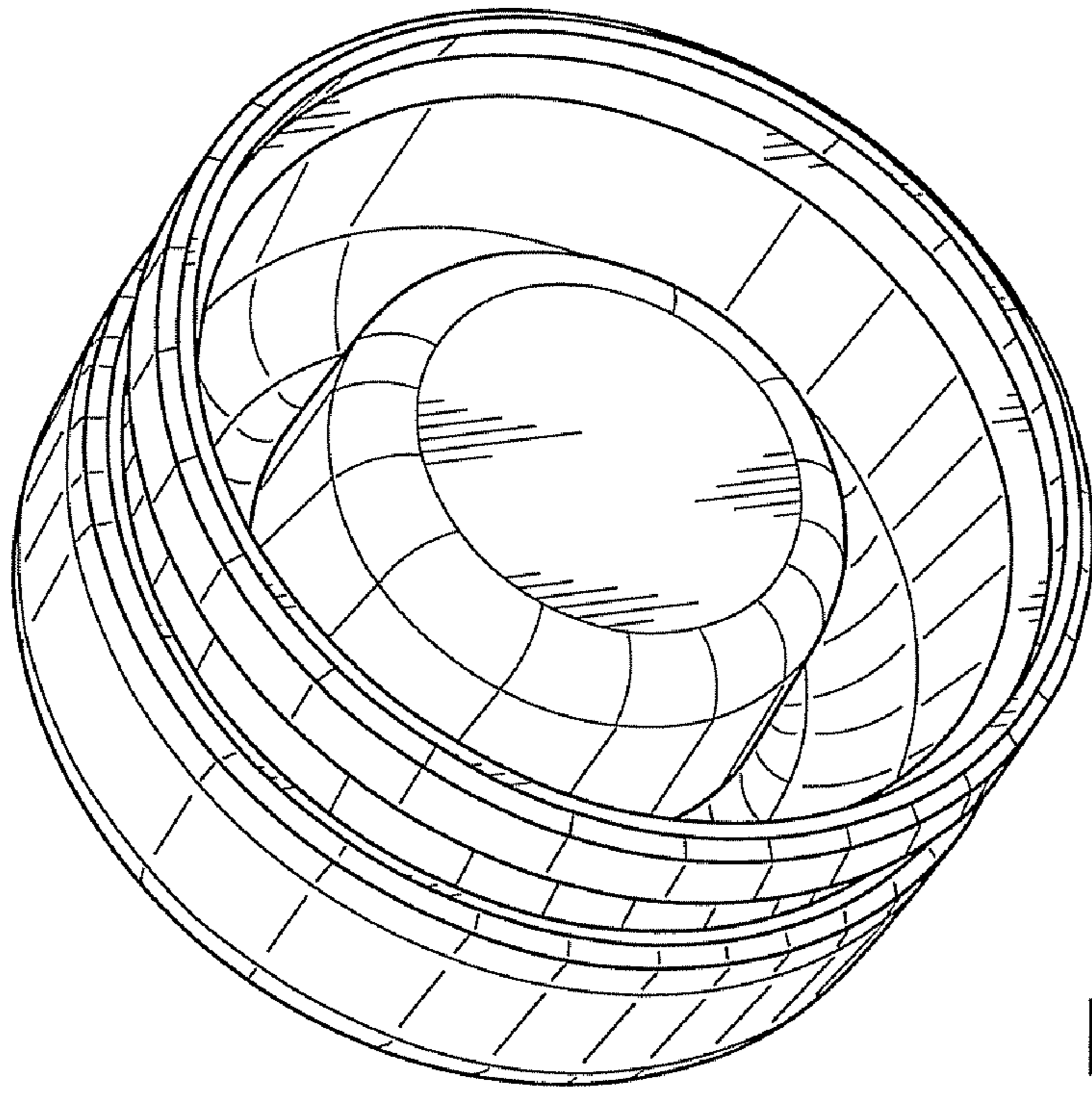


FIG. 1

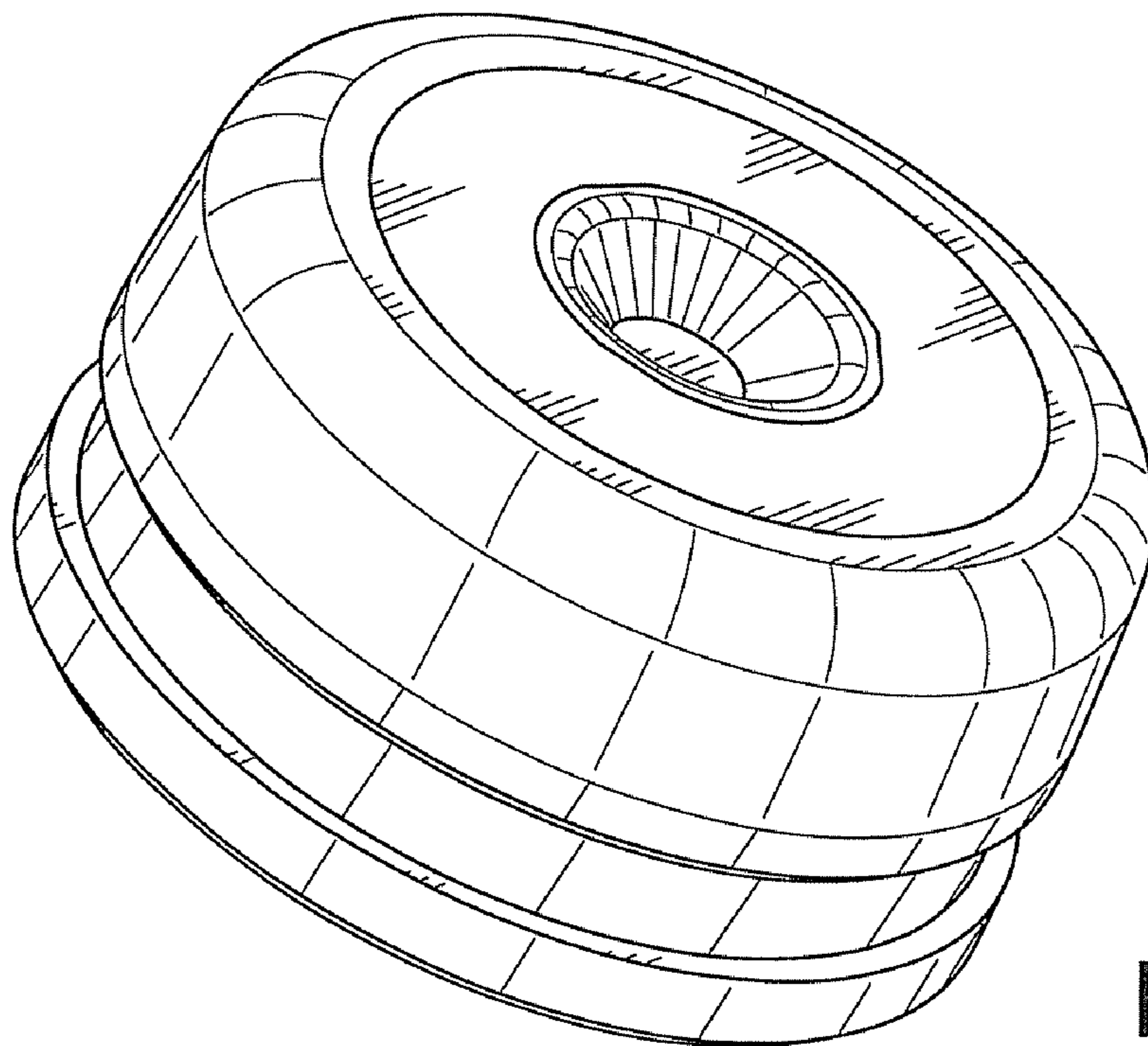


FIG. 2



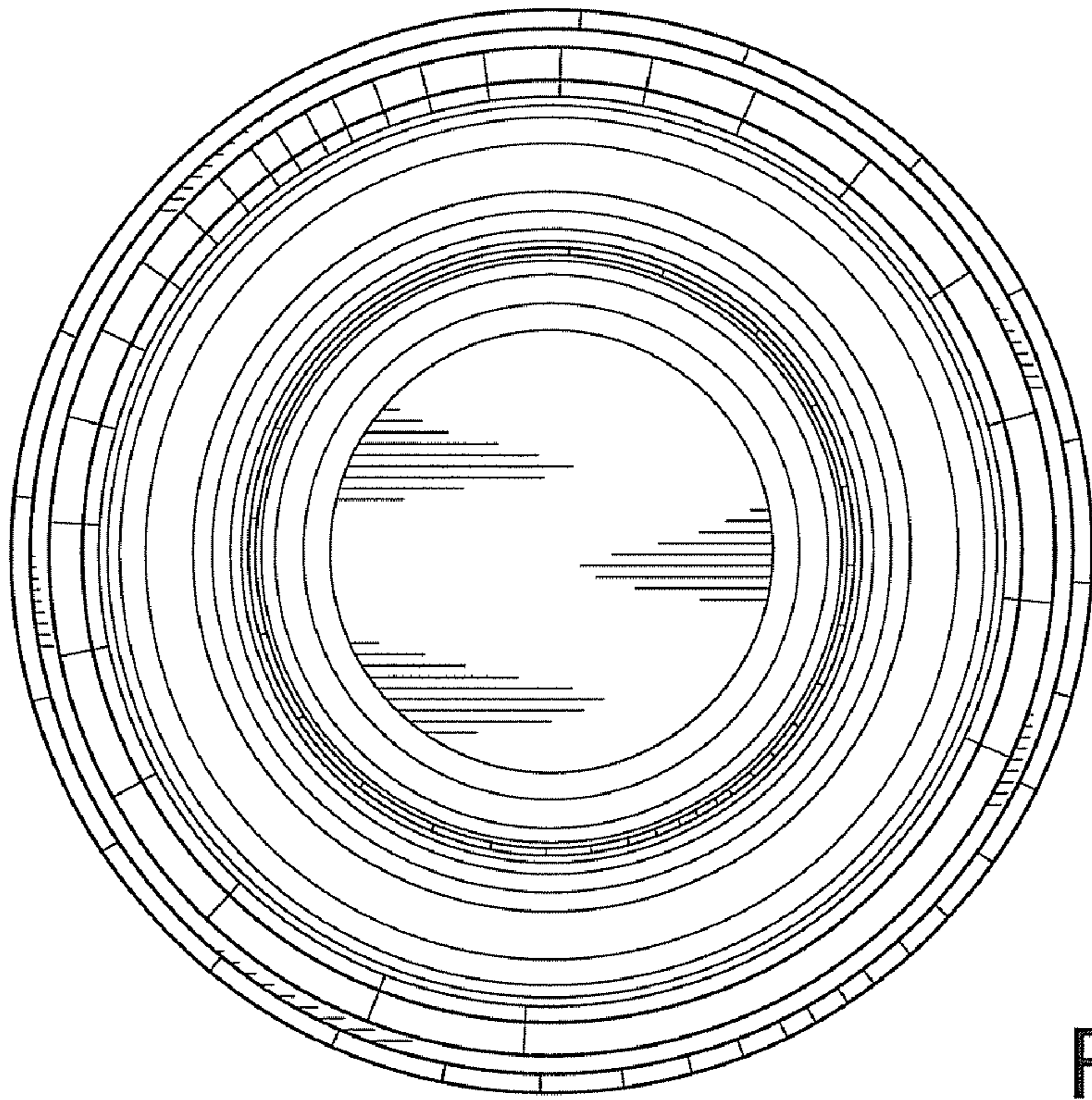


FIG. 3

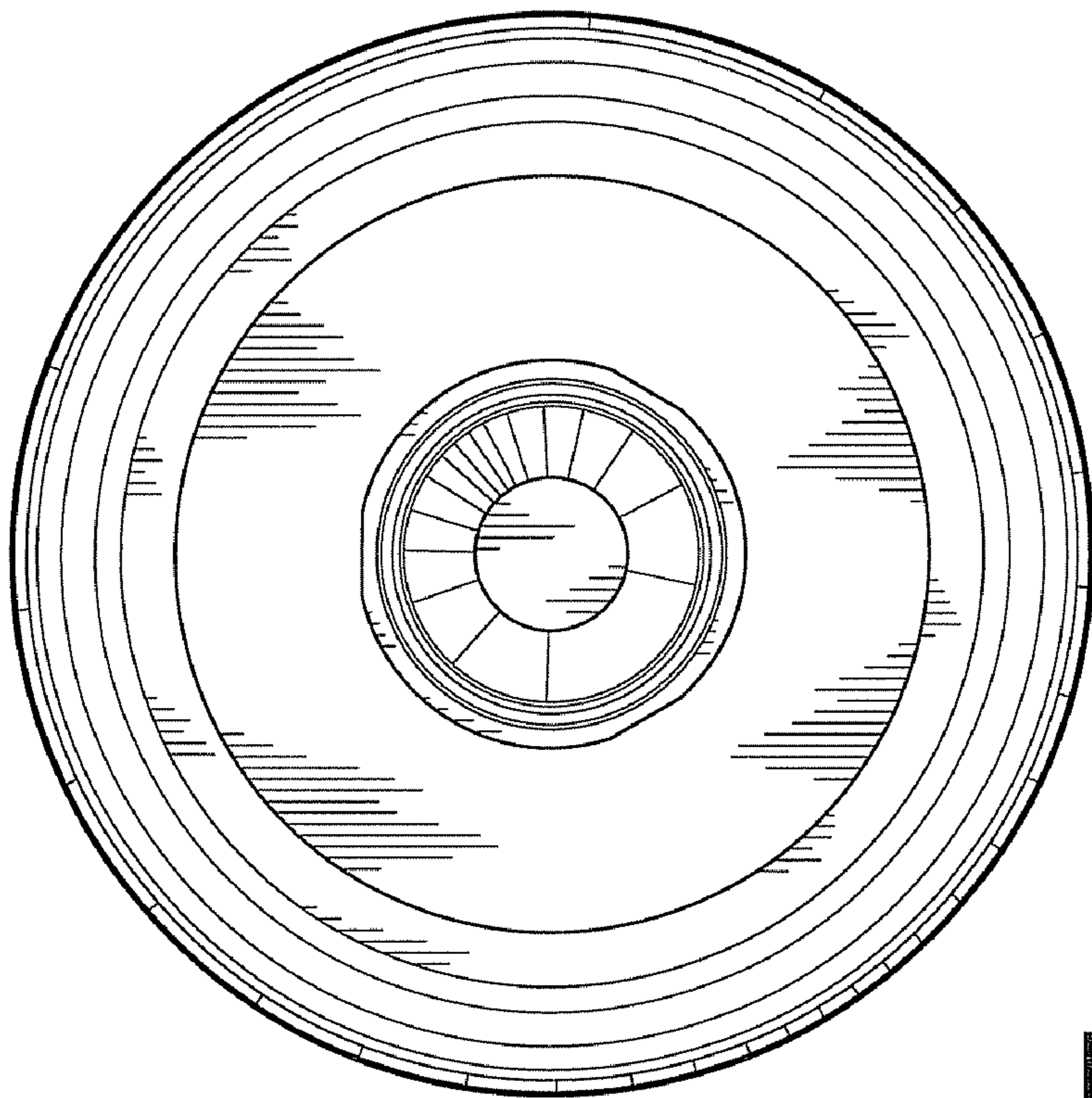


FIG. 4

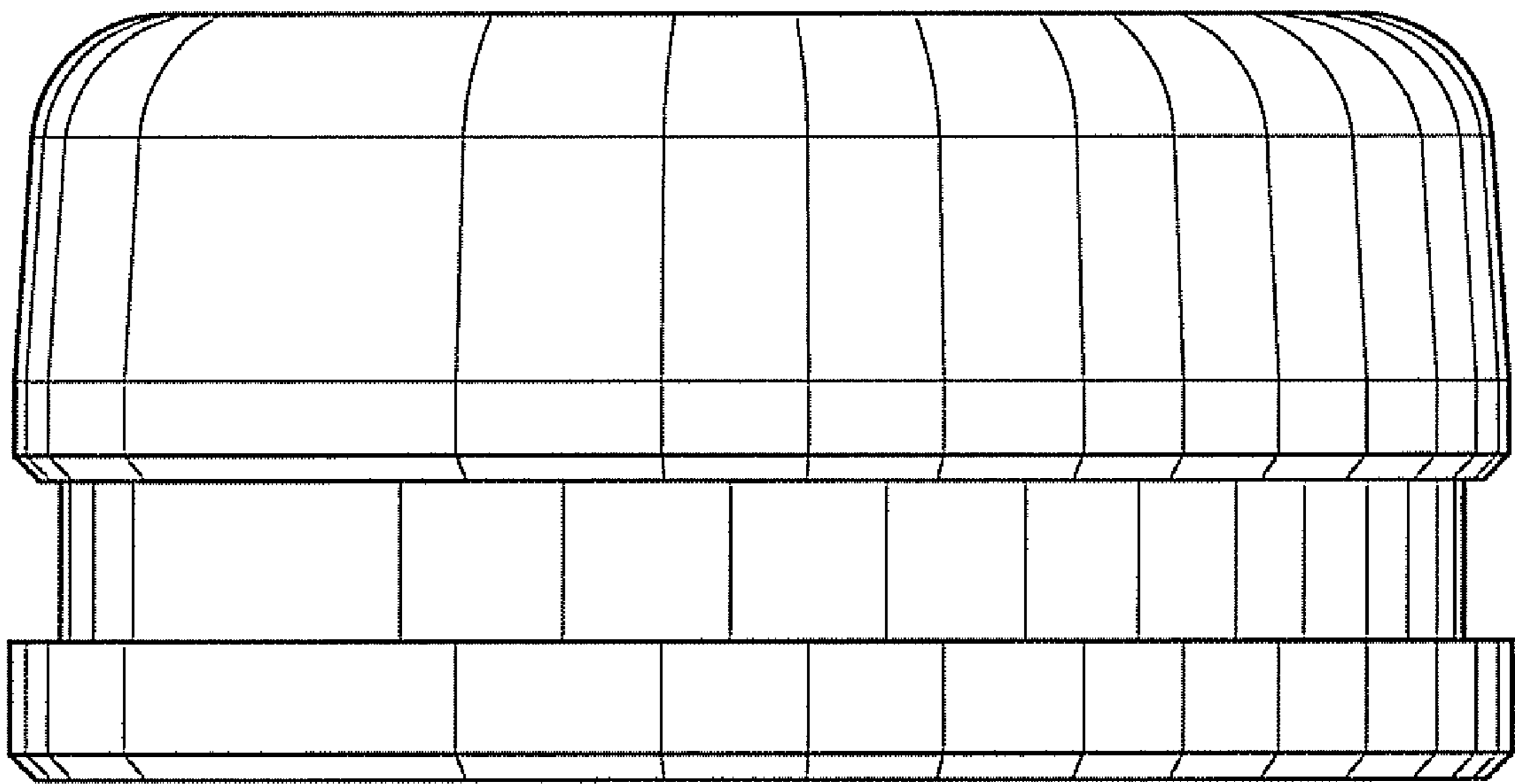


FIG. 5