

US00D608899S

(12) **United States Design Patent**  
**Gayne**

(10) **Patent No.:** **US D608,899 S**

(45) **Date of Patent:** **\*\* Jan. 26, 2010**

(54) **SEXUAL STIMULATOR**

(76) Inventor: **Lawrence Gayne**, 125 Flying Avenue,  
Toronto, Ontario (CA) M2N 4K5

(\*\*) Term: **14 Years**

(21) Appl. No.: **29/331,824**

(22) Filed: **Feb. 2, 2009**

(51) **LOC (9) Cl.** ..... **28-03**

(52) **U.S. Cl.** ..... **D24/215**

(58) **Field of Classification Search** ..... D24/200,  
D24/211, 214, 215; 601/19, 119, 120, 134-137;  
600/38, 39, 40, 41, 42; 128/844, 842; 606/140  
See application file for complete search history.

(56) **References Cited**

**U.S. PATENT DOCUMENTS**

5,873,813	A *	2/1999	Weiss	.....	600/38
6,926,666	B2 *	8/2005	Magee	.....	600/38
D559,990	S *	1/2008	Gayne	.....	D24/200
2004/0215055	A1 *	10/2004	Gomez-de-Diego	.....	600/38
2006/0030750	A1 *	2/2006	Amer	.....	600/38

2006/0094926 A1\* 5/2006 Forsell ..... 600/38

\* cited by examiner

*Primary Examiner*—Cathron C Brooks

*Assistant Examiner*—Melanie Levy

(57) **CLAIM**

I claim the ornamental design for a sexual stimulator, as shown and described.

**DESCRIPTION**

FIG. 1 is a front perspective view of a sexual stimulator showing the design;

FIG. 2 is a top plan view thereof;

FIG. 3 is a right elevational view thereof;

FIG. 4 is a front elevational view thereof;

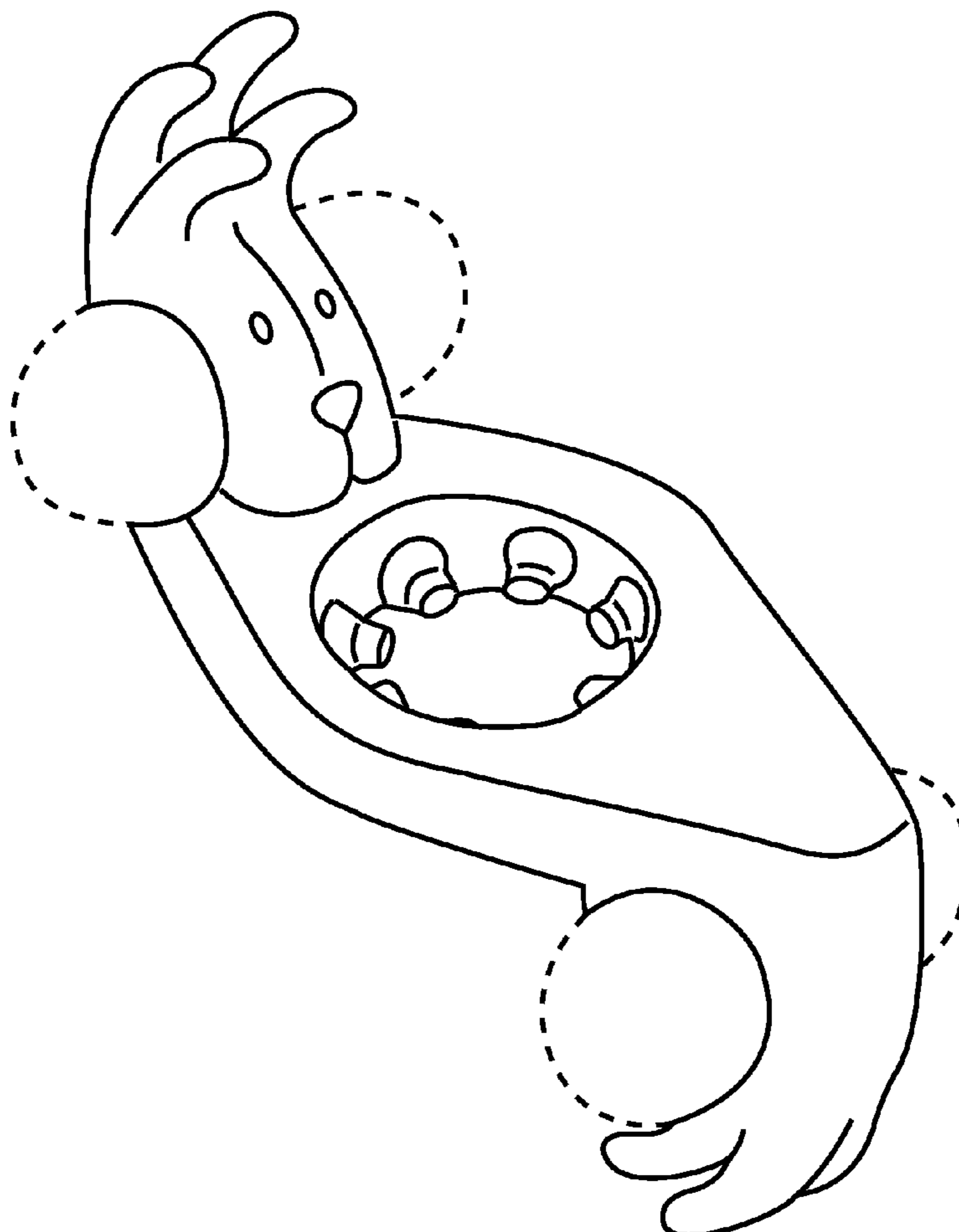
FIG. 5 is a rear elevational view thereof;

FIG. 6 is a left elevational view thereof; and,

FIG. 7 is a bottom plan view thereof.

The broken lines shown in the drawings represent unclaimed portions of the design and form no part of thereof.

**1 Claim, 3 Drawing Sheets**



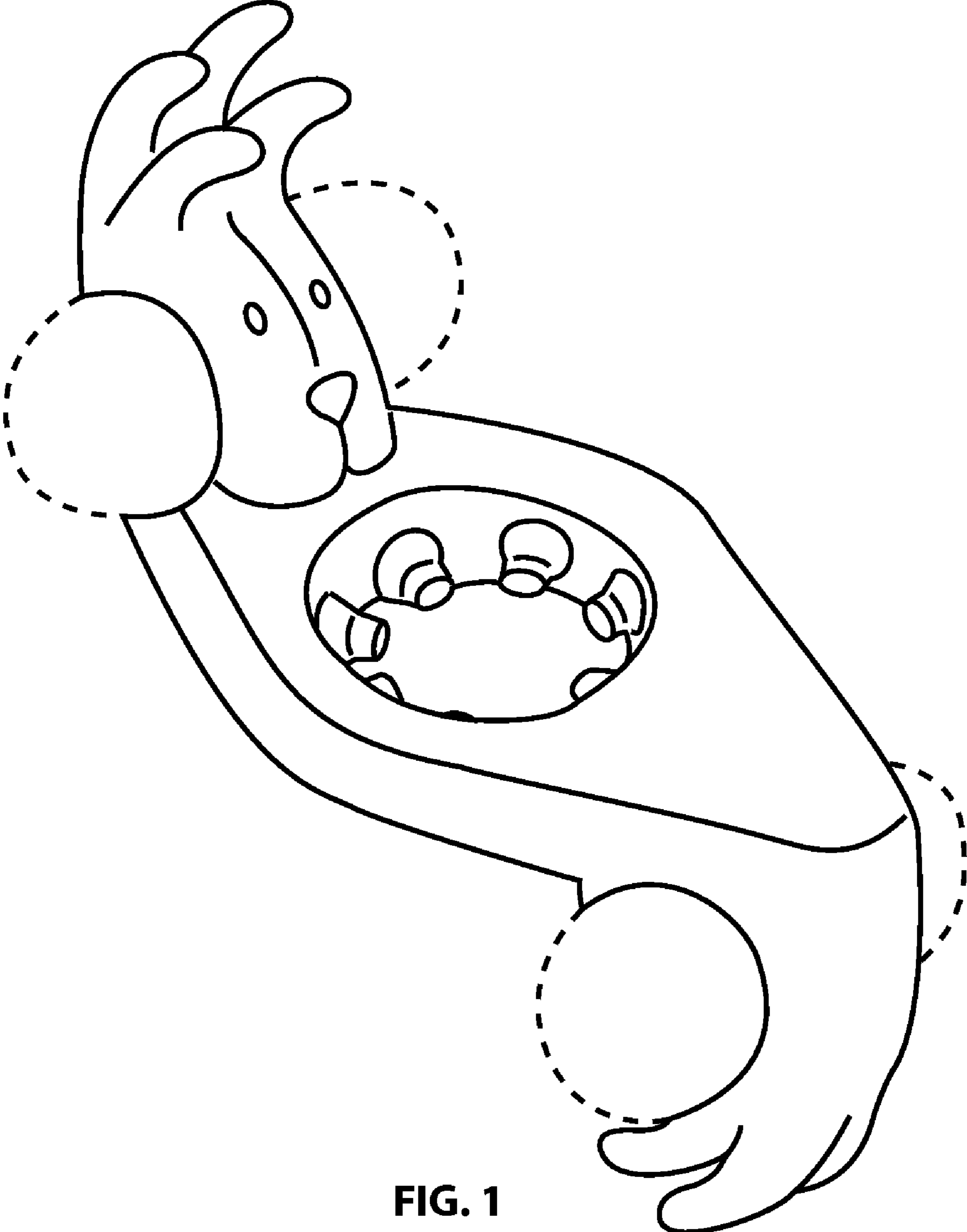


FIG. 1

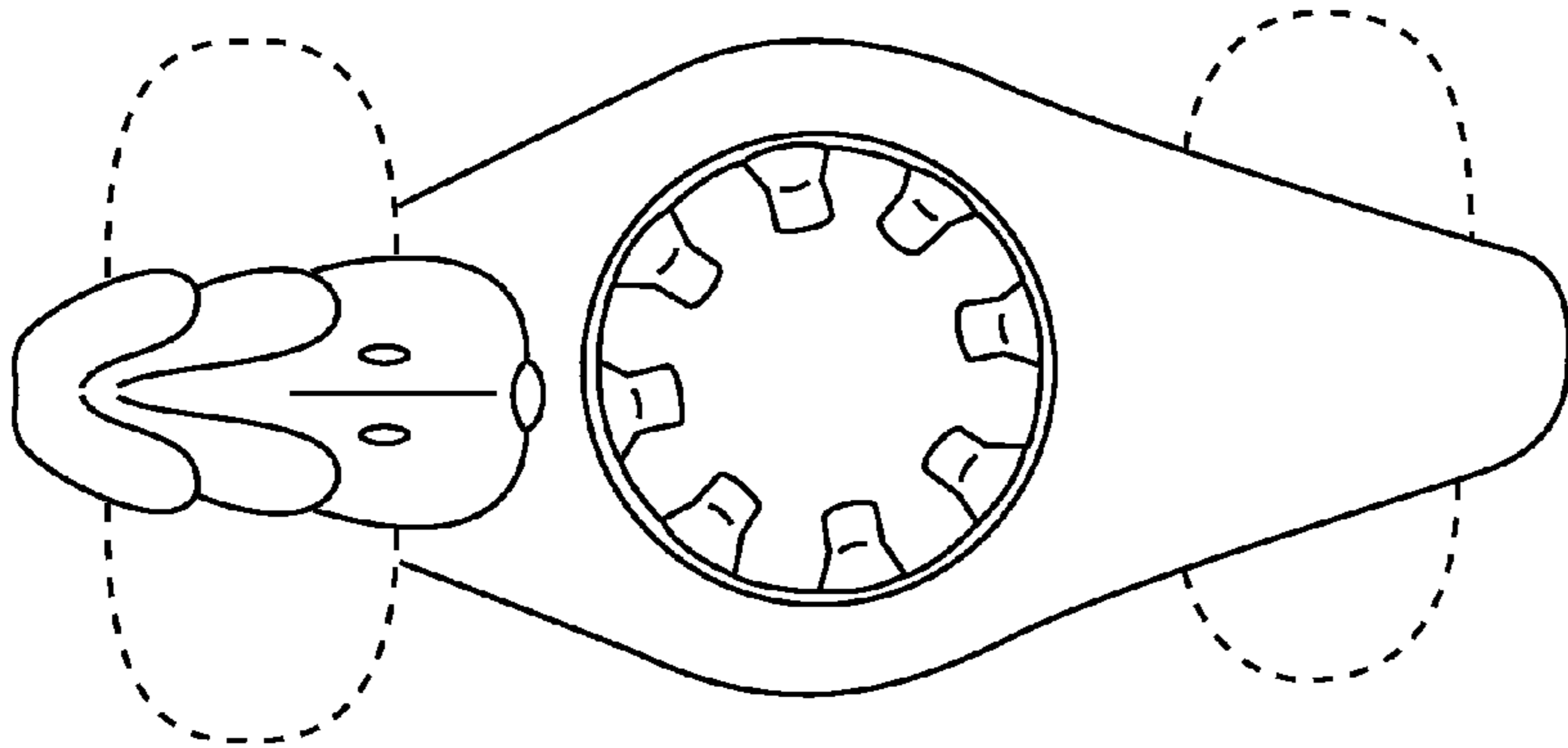


FIG. 2

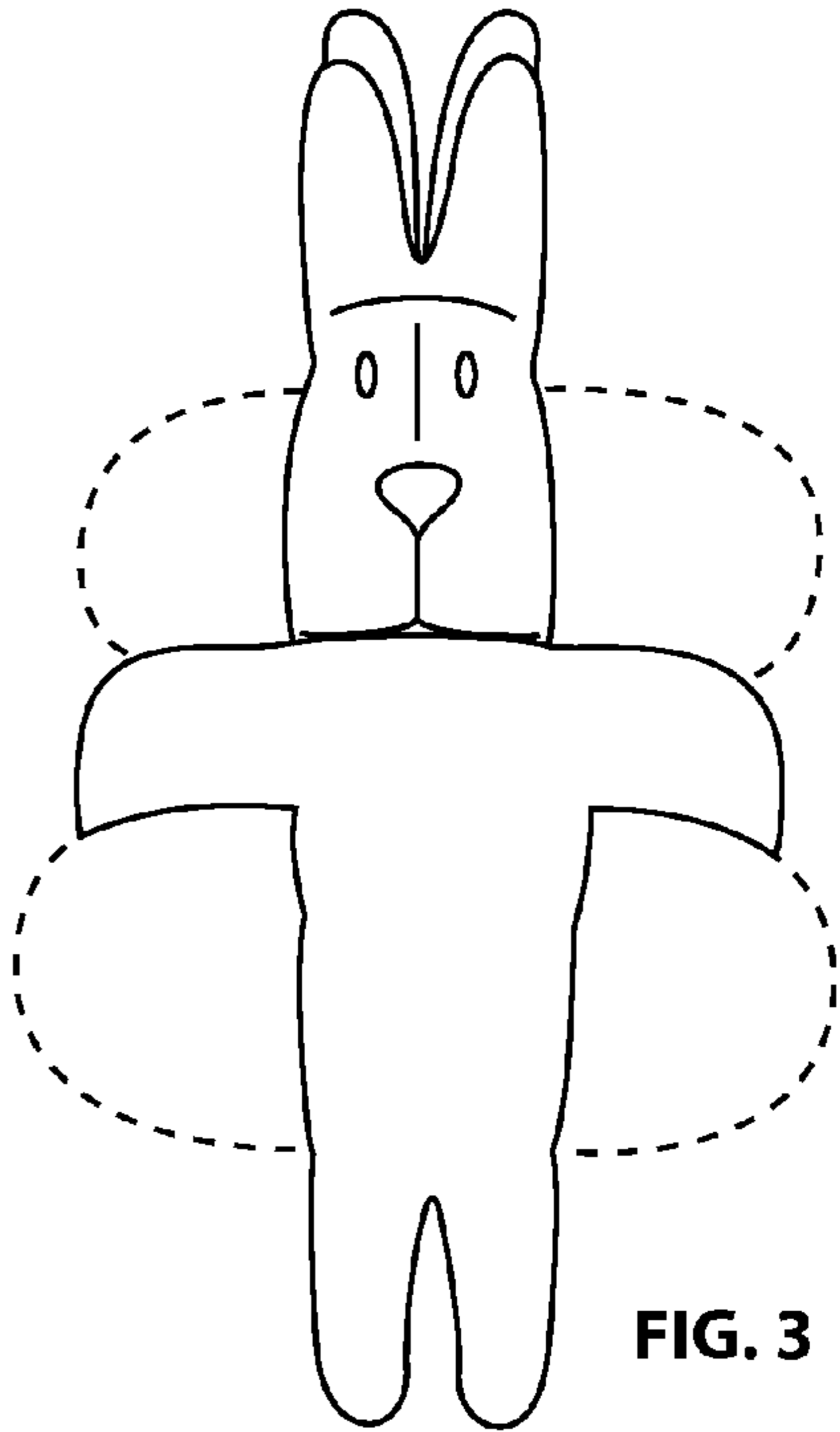


FIG. 3

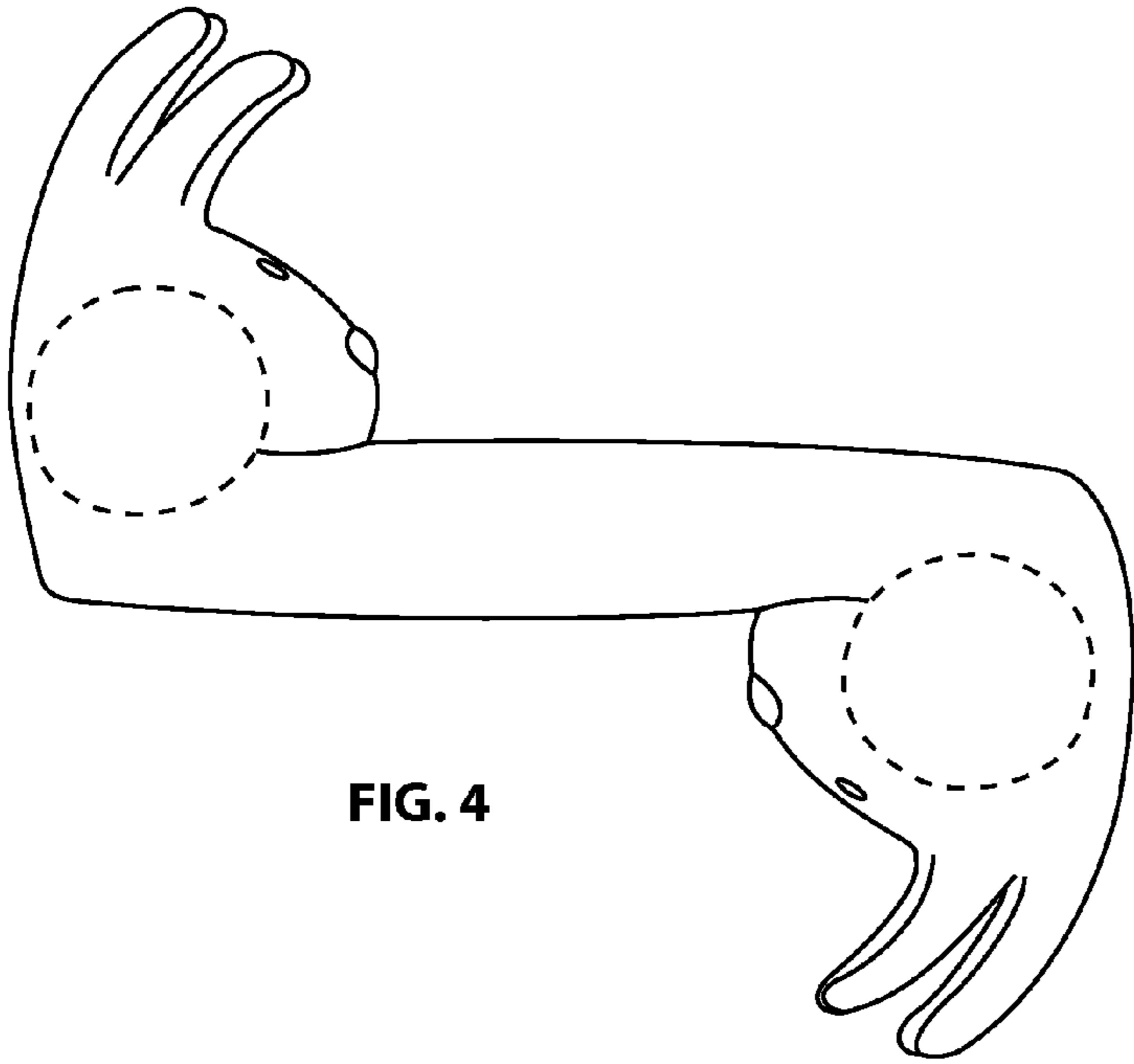


FIG. 4

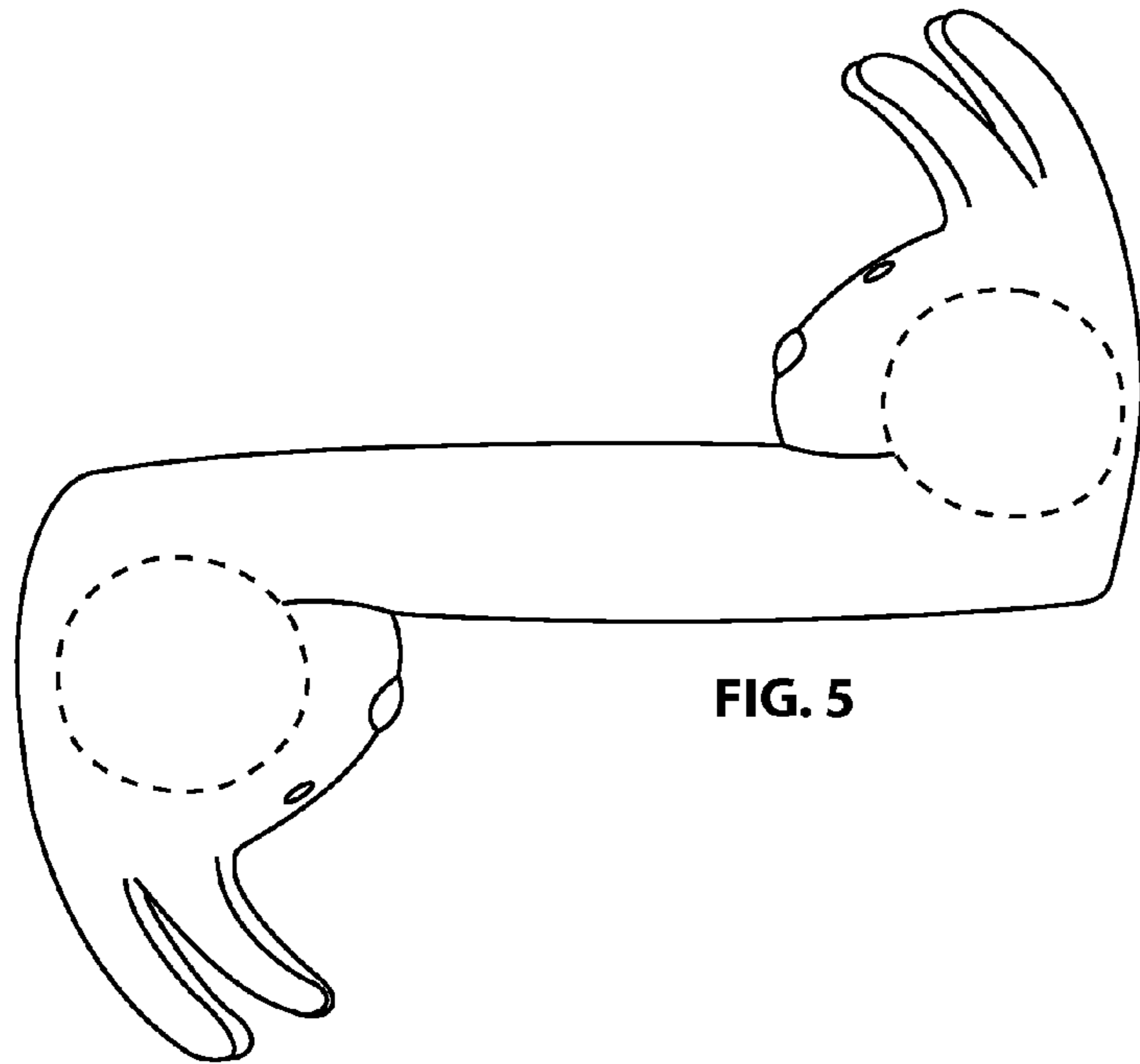


FIG. 5

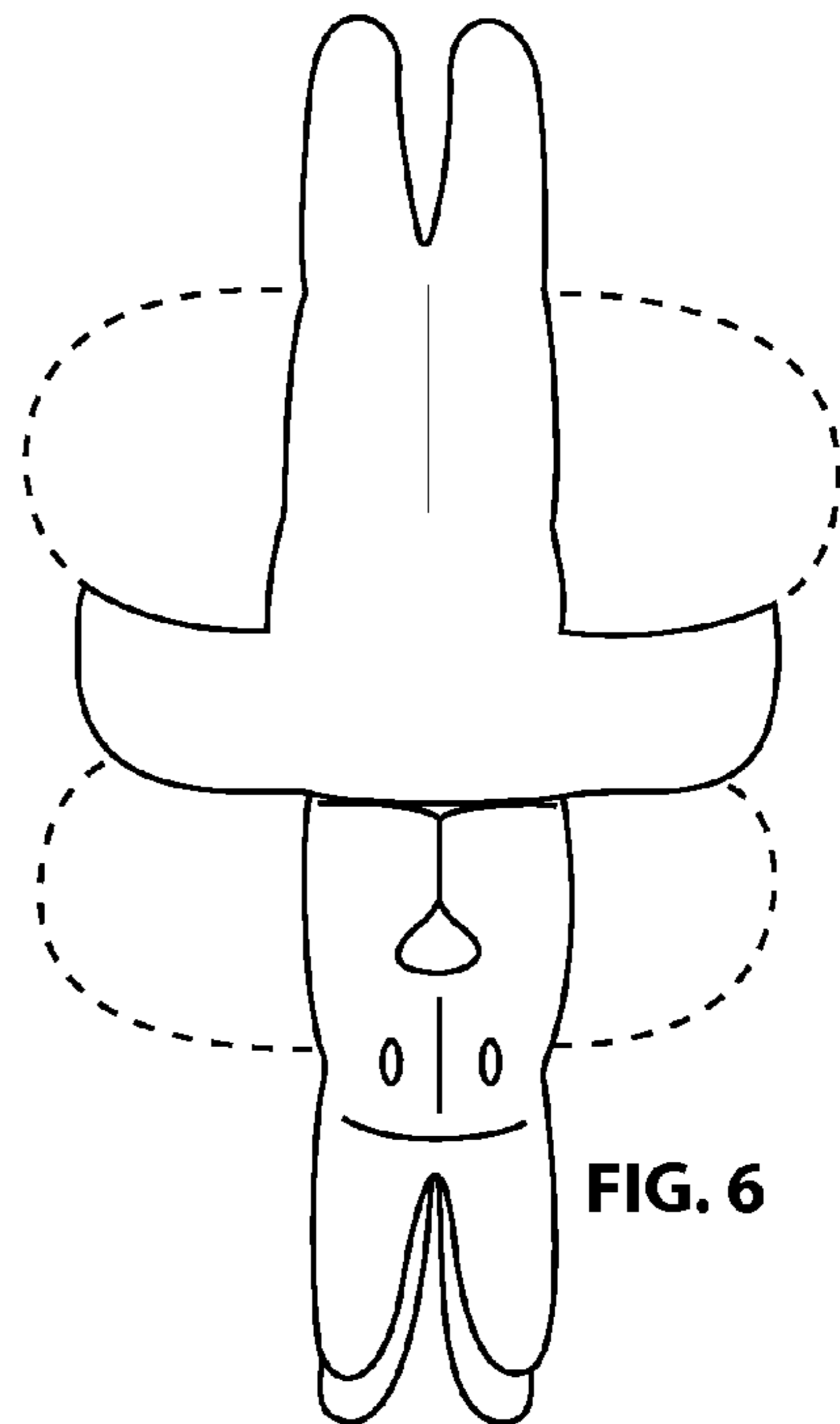


FIG. 6

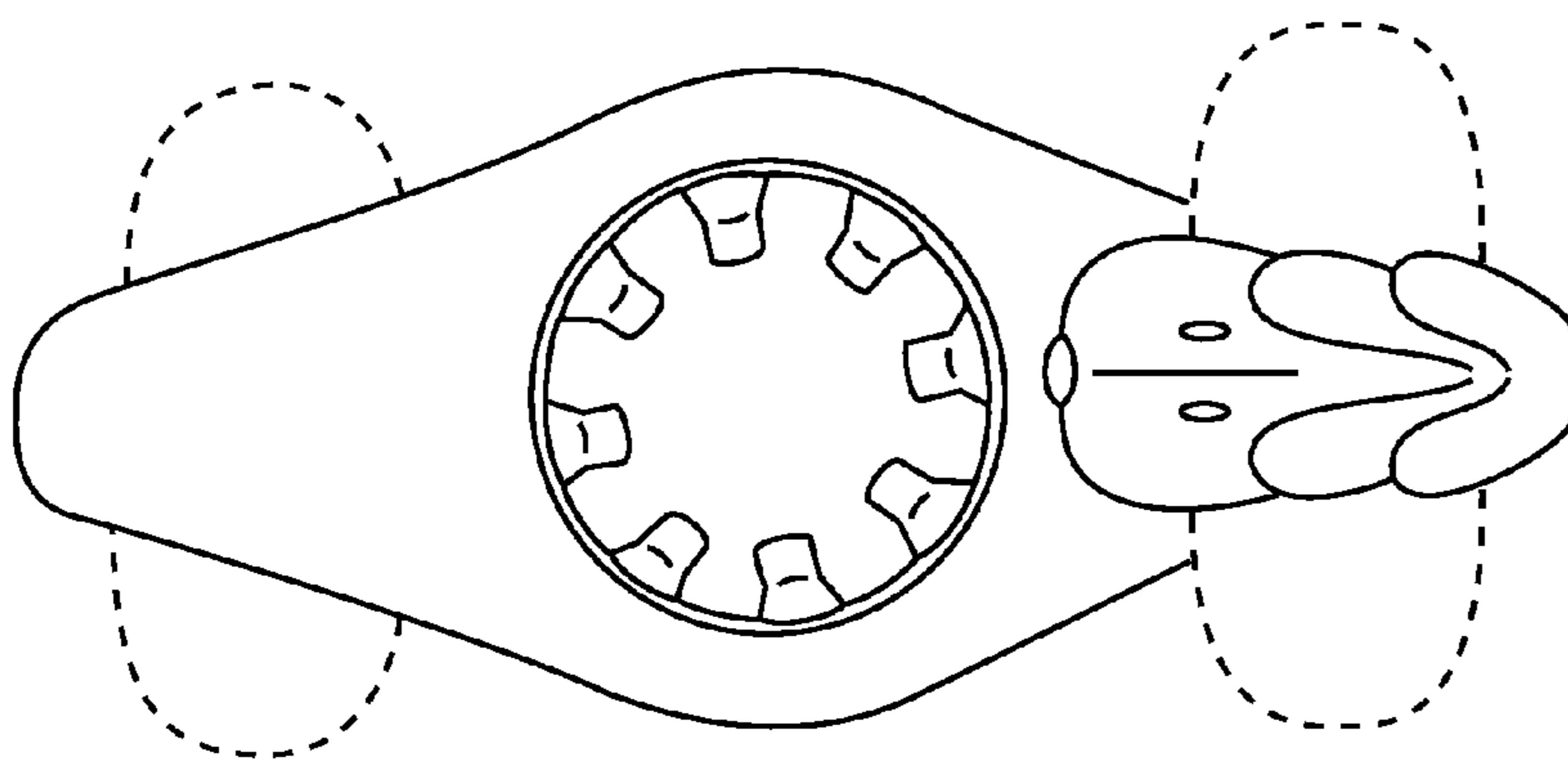


FIG. 7