



(12) **United States Design Patent**
Ton

(10) **Patent No.:** **US D608,898 S**
(45) **Date of Patent:** **** Jan. 26, 2010**

(54) **PEDICURE SPA**

(76) **Inventor:** **Quy That Ton**, 3131 Dalrymple Dr.,
Baton Rouge, LA (US) 70802

(**) **Term:** **14 Years**

(21) **Appl. No.:** **29/333,050**

(22) **Filed:** **Mar. 2, 2009**

(51) **LOC (9) Cl.** **24-04**

(52) **U.S. Cl.** **D24/204**

(58) **Field of Classification Search** D24/200–205,
D24/212–213; D28/56, 61; D6/336, 495;
601/6, 15, 64, 157–158, 30–32; 607/44;
4/622, 574.1

See application file for complete search history.

(56) **References Cited**

U.S. PATENT DOCUMENTS

6,503,212 B2 *	1/2003	Park	601/158
D546,957 S	7/2007	Ton		
D561,903 S	2/2008	Ton		
D563,558 S	3/2008	Ton		
D563,559 S	3/2008	Ton		
D564,099 S *	3/2008	Ton	D24/204
D568,485 S	5/2008	Ton		
D571,018 S	6/2008	Ton et al.		
D573,368 S	7/2008	Ton		
D574,502 S *	8/2008	Ton	D24/204
D588,707 S *	3/2009	Mai et al.	D24/213
D595,059 S	6/2009	Ton		

* cited by examiner

Primary Examiner—Cathron C Brooks

Assistant Examiner—Melanie Levy

(74) *Attorney, Agent, or Firm*—Duane Morris LLP

(57) **CLAIM**

The ornamental design for a pedicure spa, as shown and described.

DESCRIPTION

FIG. 1 is a perspective view showing the front, left and top of a pedicure spa showing my new design; the broken lines shown in the drawings represent unclaimed portions of the design.

FIG. 2 is a rear view of the pedicure spa, such as that shown in FIG. 1;

FIG. 3 is a front view of the pedicure spa, such as that shown in FIG. 1;

FIG. 4 is a left side view of the pedicure spa, such as that shown in FIG. 1;

FIG. 5 is a right side view of the pedicure spa, such as that shown in FIG. 1;

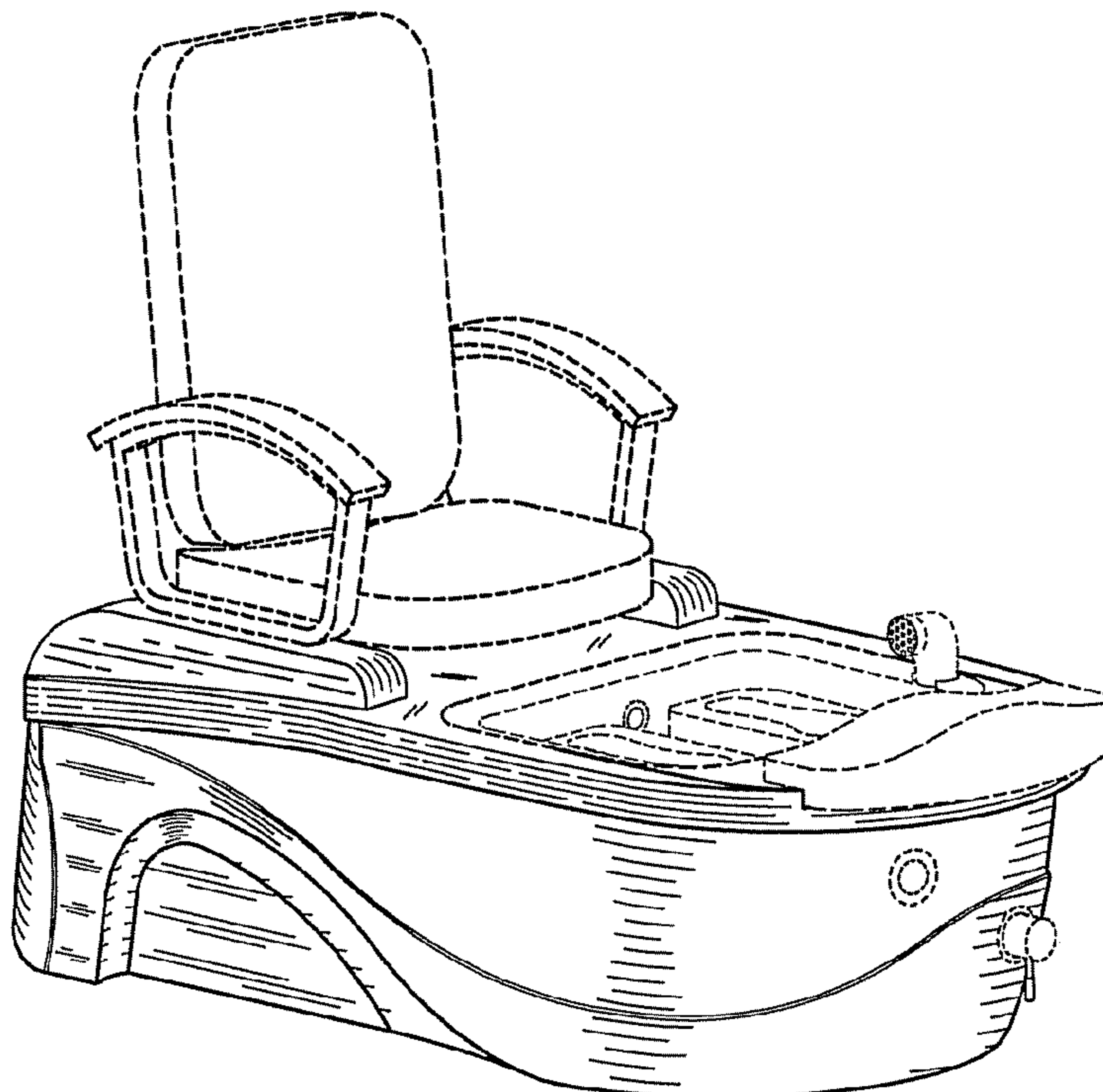
FIG. 6 is a front view of the pedicure spa, such as that shown in FIG. 1, without a chair mounted on the pedicure spa;

FIG. 7 is a rear view of the pedicure spa, such as that shown in FIG. 1, without a chair mounted on the pedicure spa;

FIG. 8 is a top view of the pedicure spa, such as that shown in FIG. 1; and,

FIG. 9 is a left side view of the pedicure spa, such as that shown in FIG. 1, without a chair mounted on the pedicure spa.

1 Claim, 4 Drawing Sheets



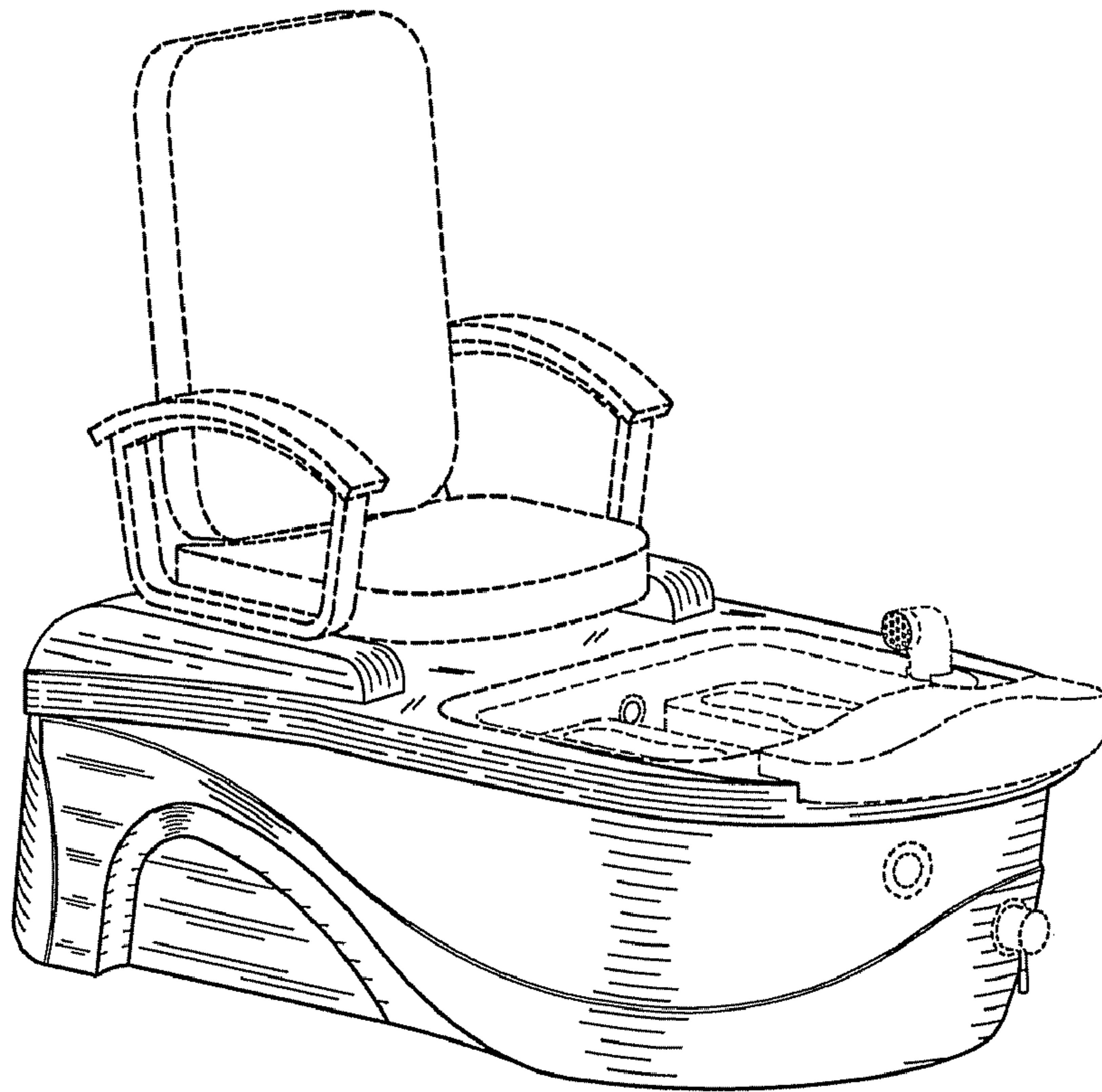


FIG. 1

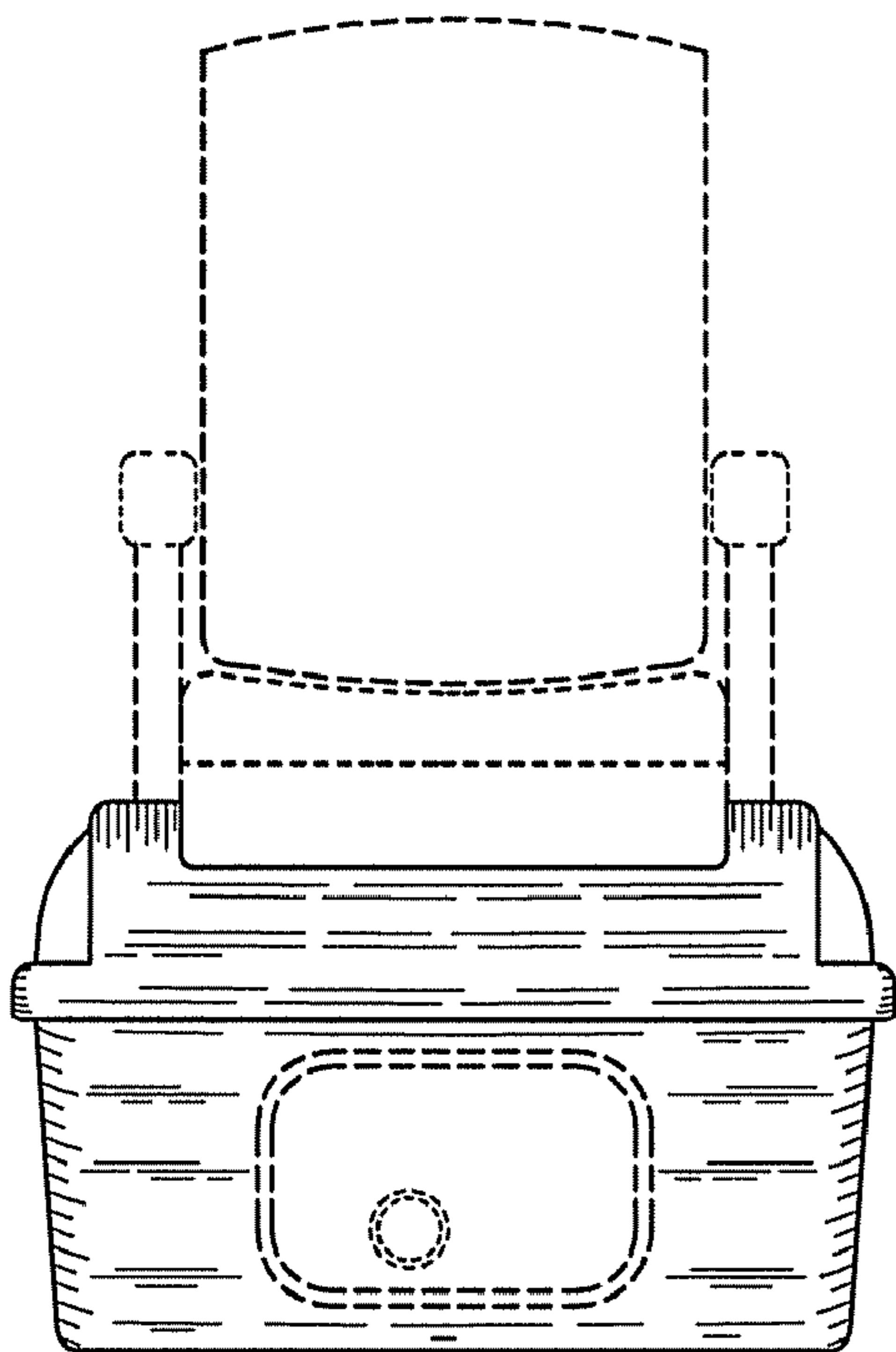


FIG. 2

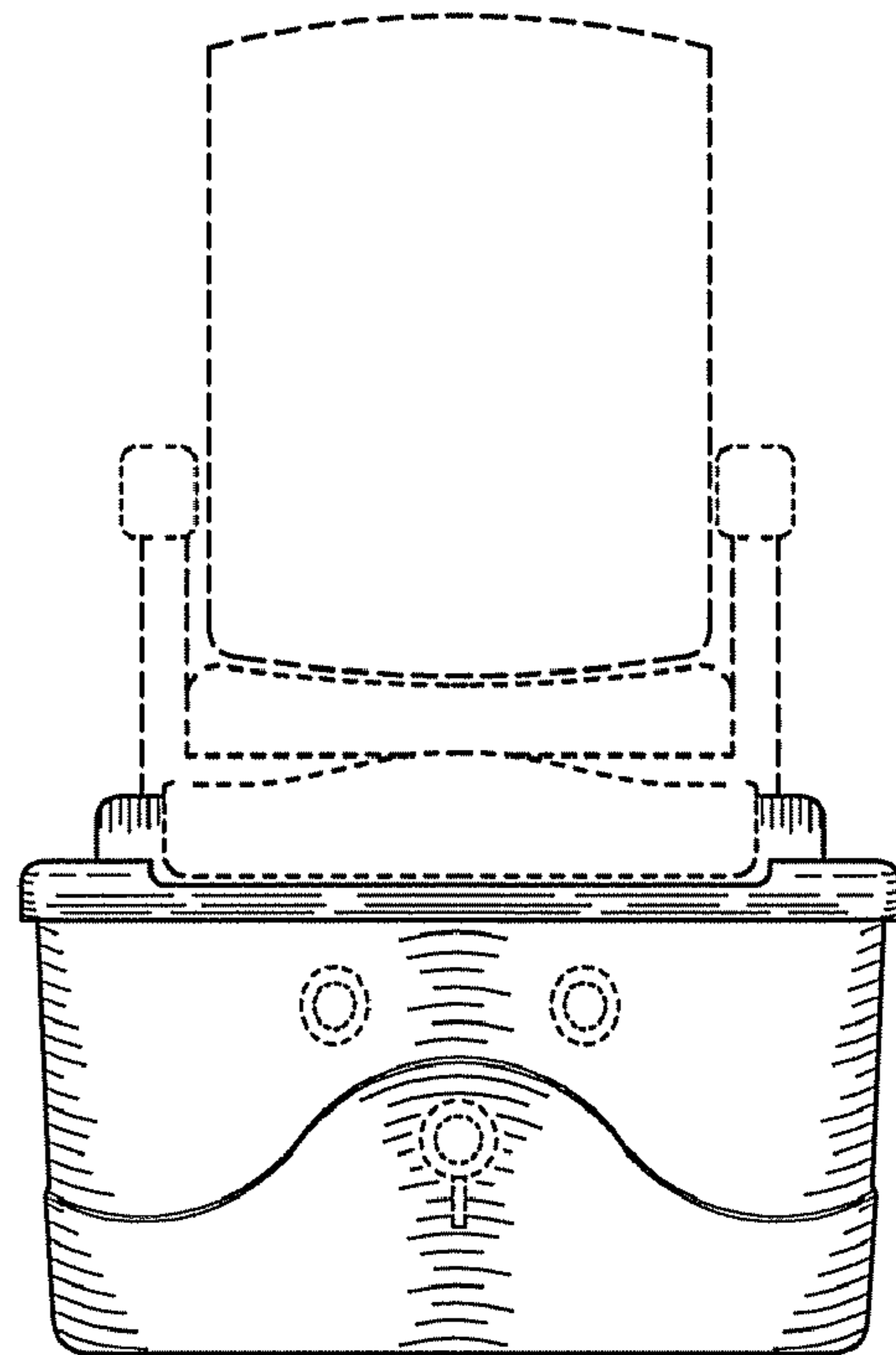


FIG. 3

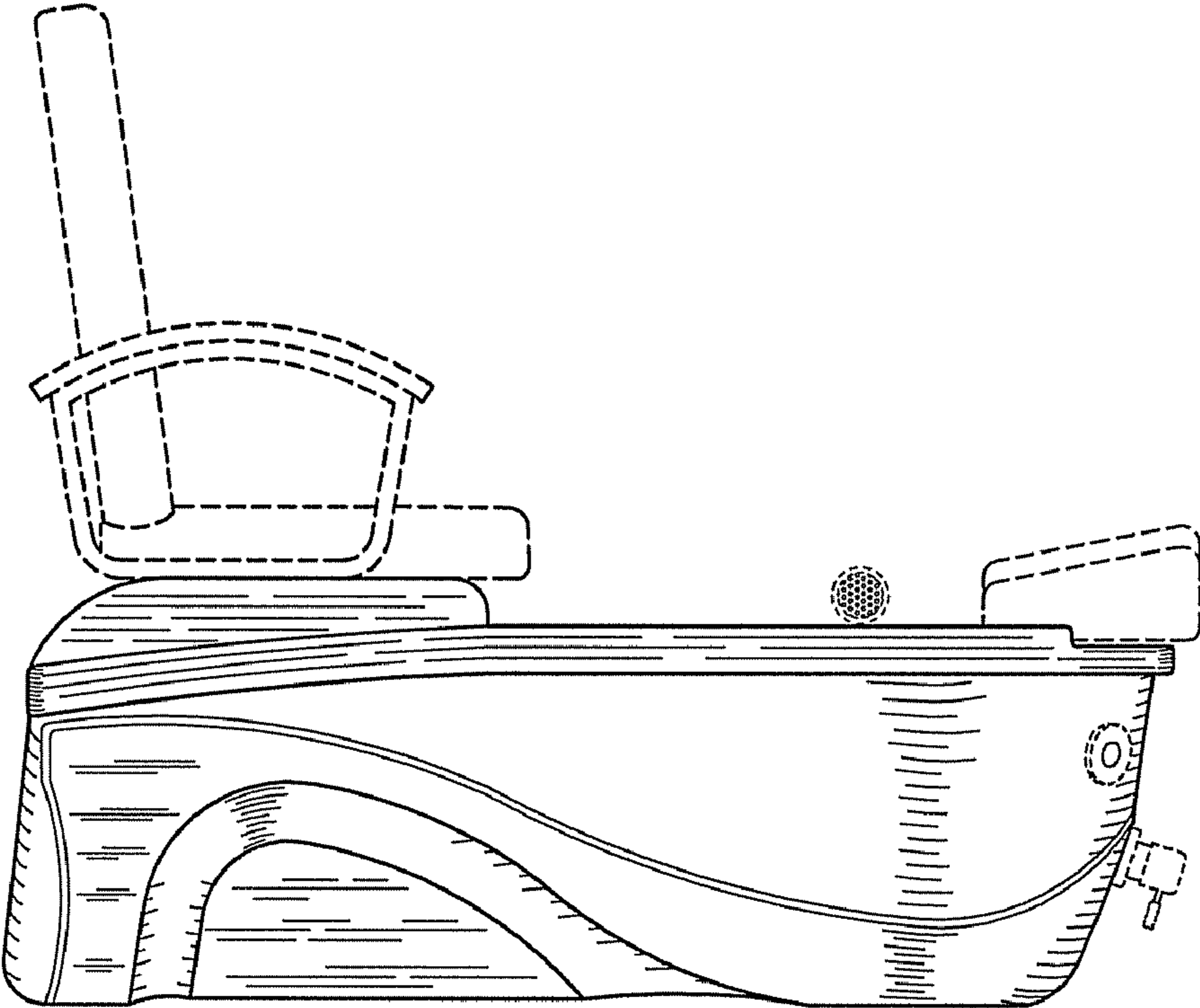


FIG. 4

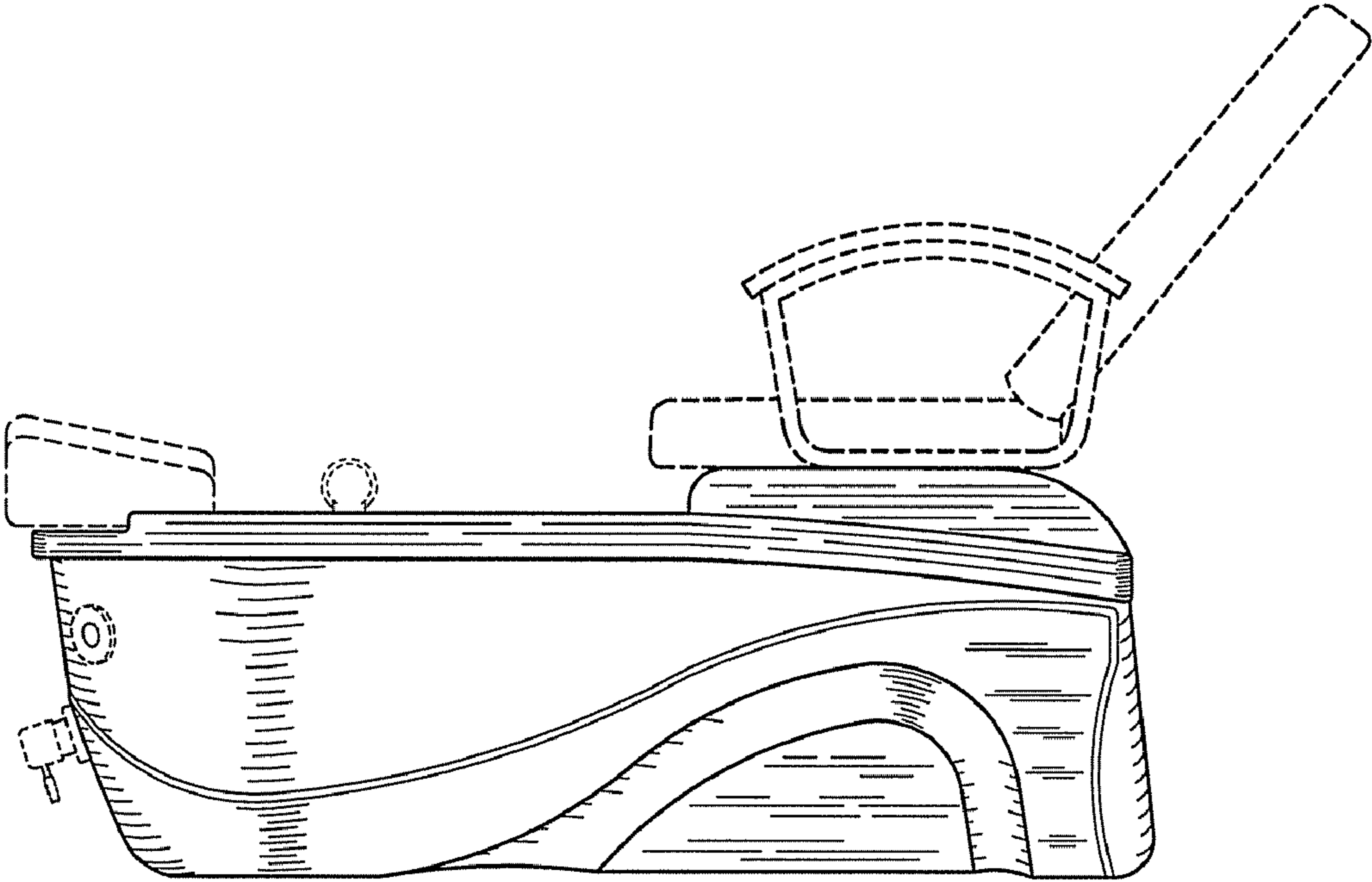


FIG. 5

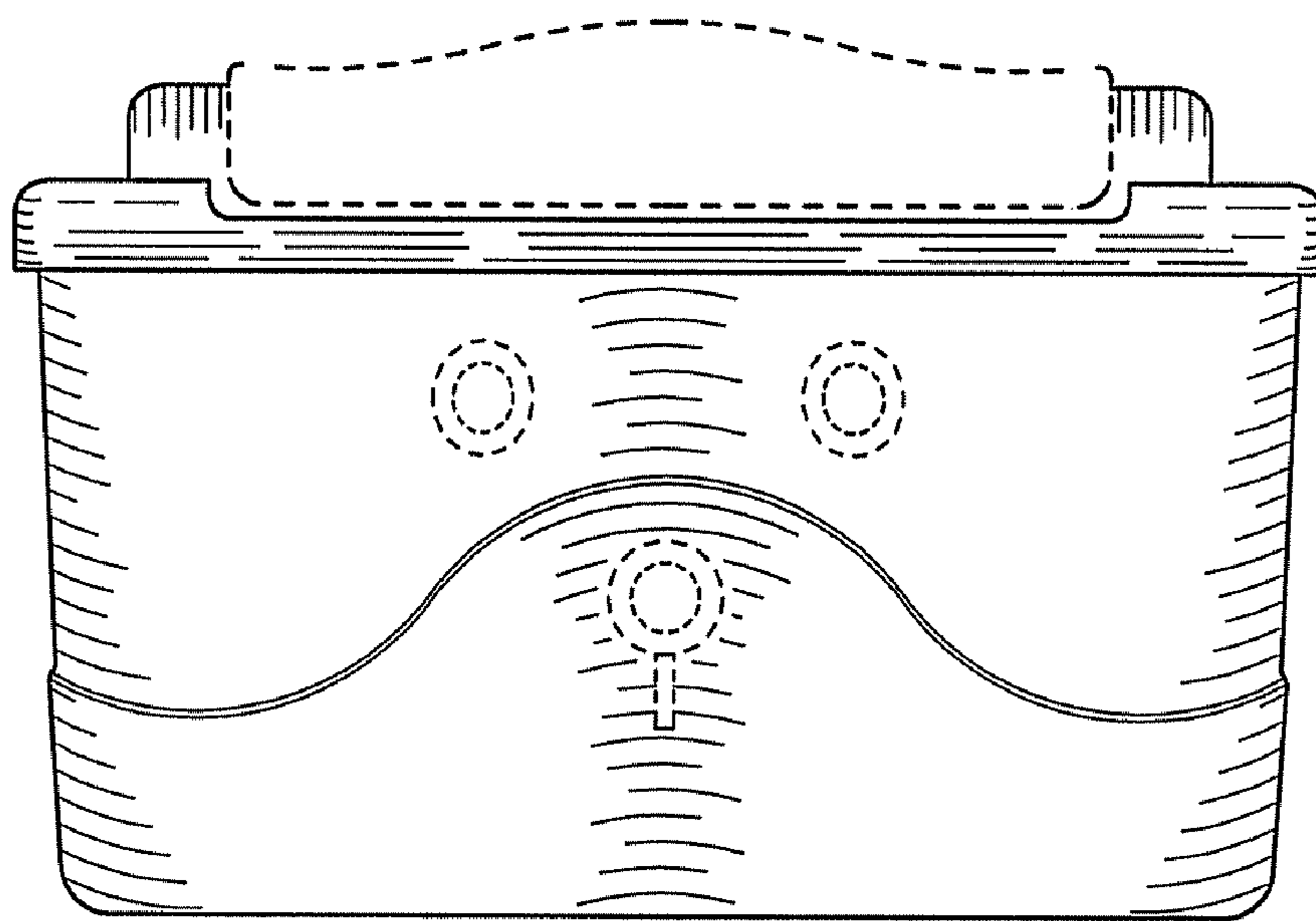


FIG. 6

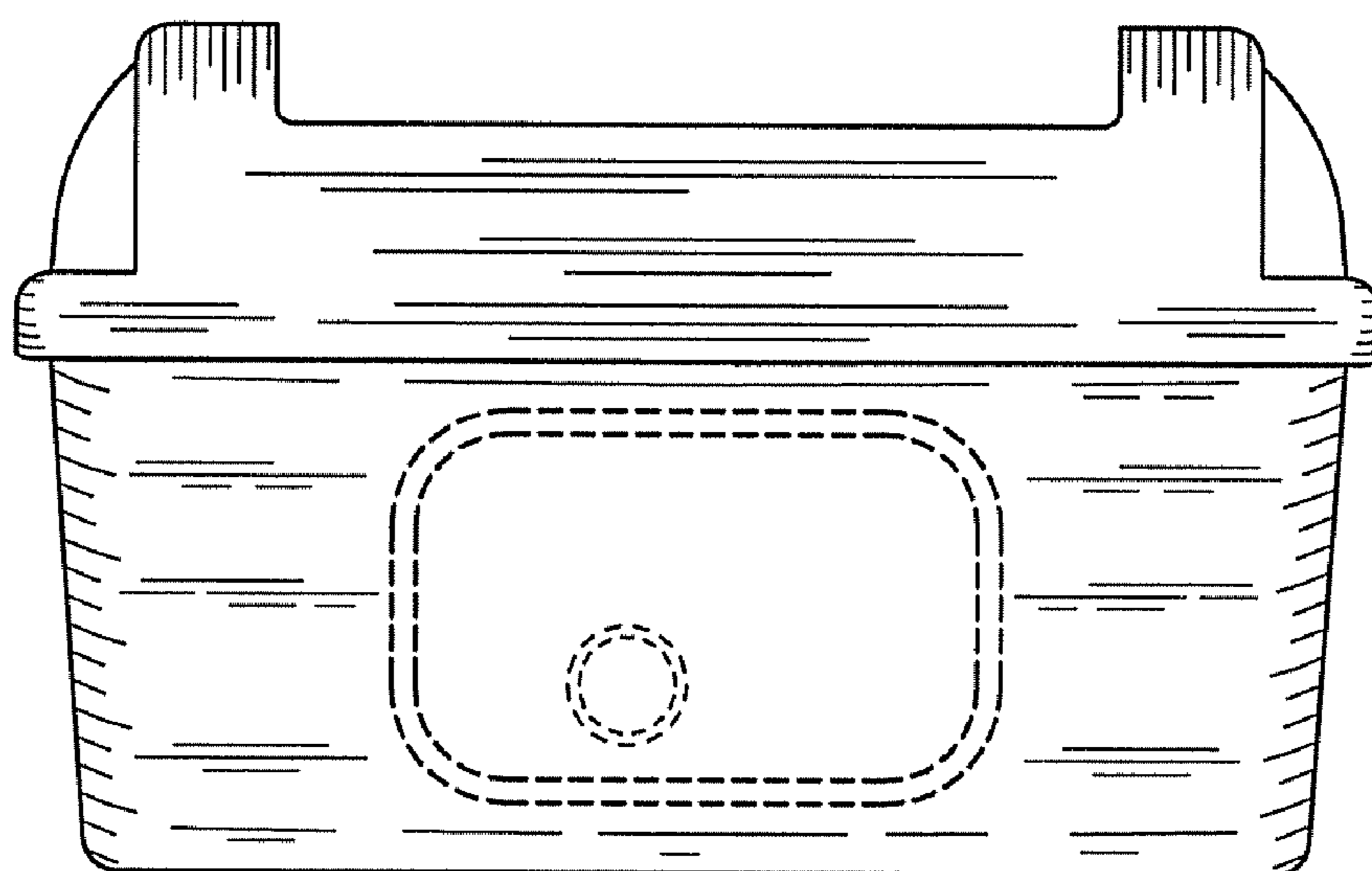


FIG. 7

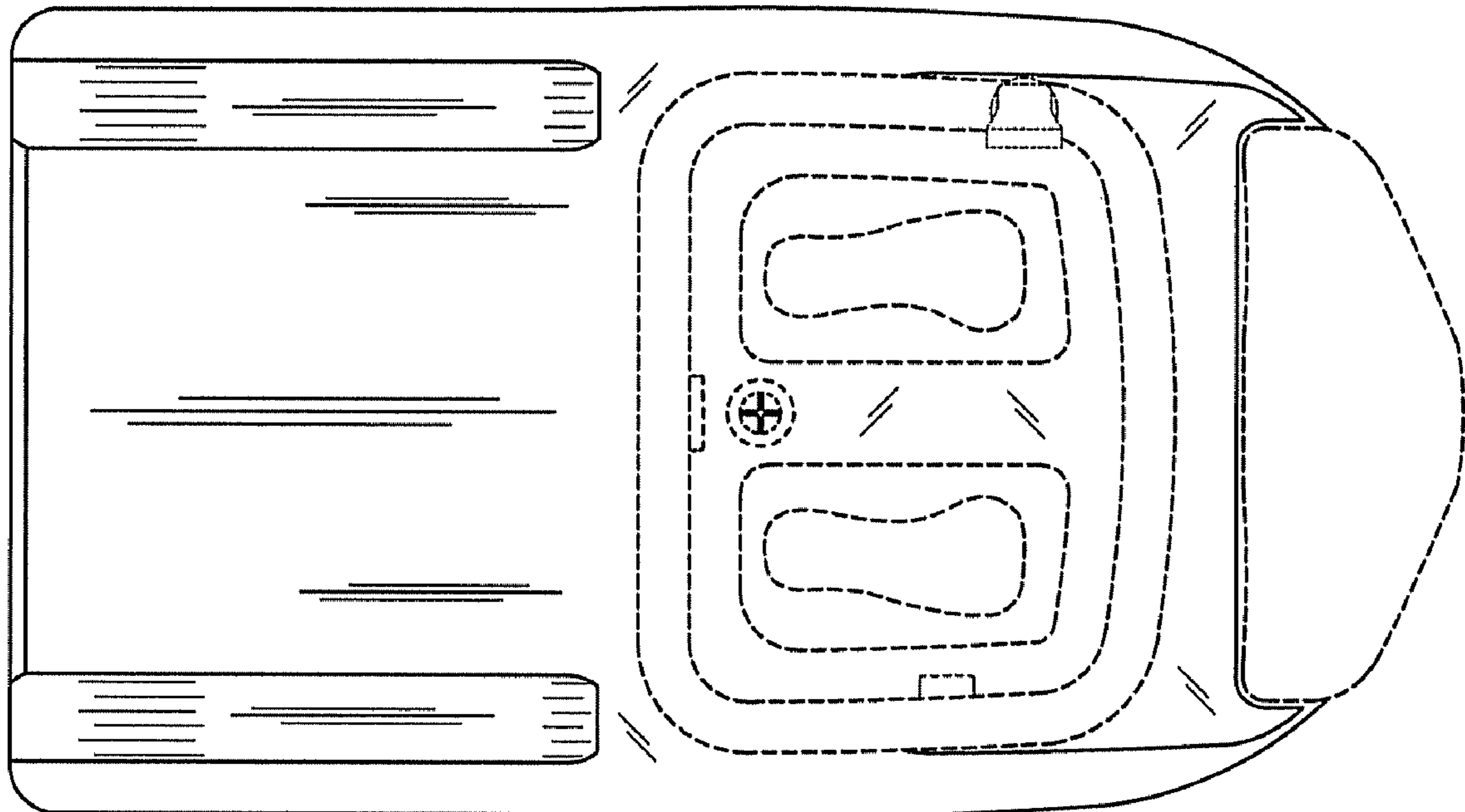


FIG. 8

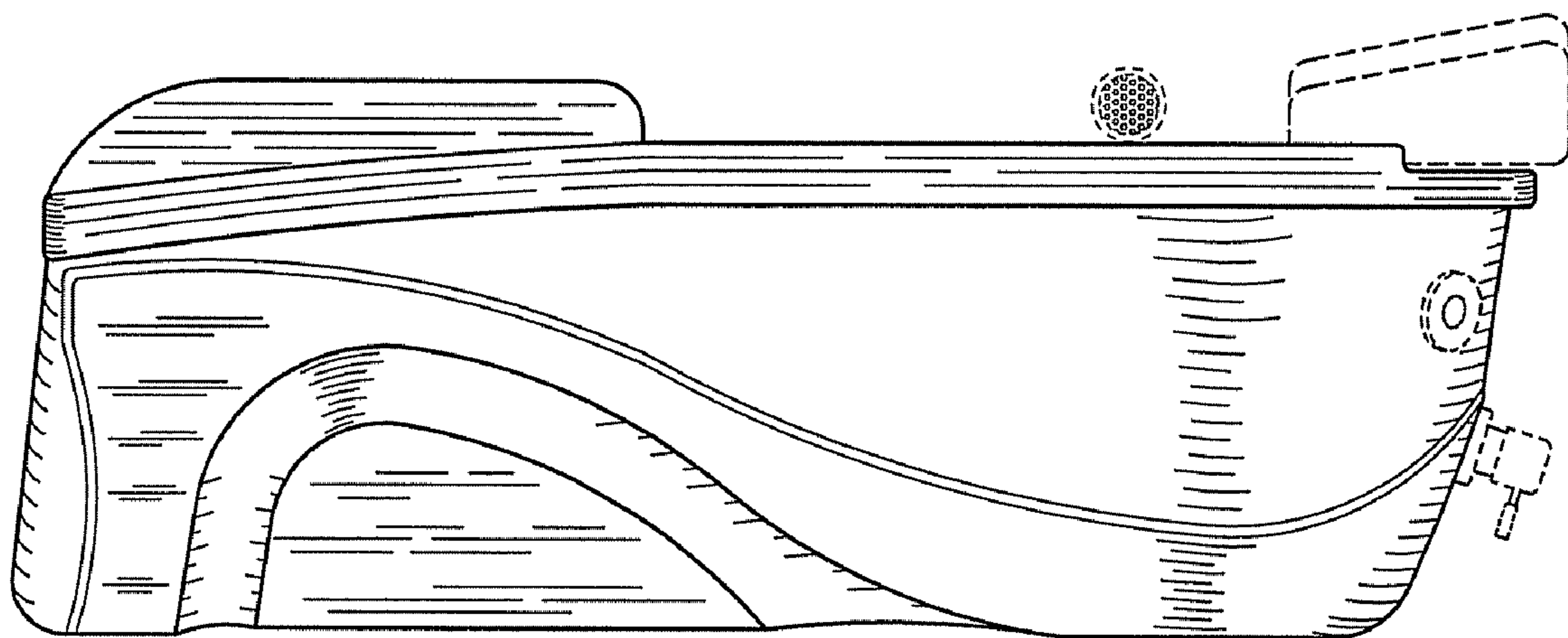


FIG. 9