



US00D608895S

(12) **United States Design Patent**
Farrell et al.

(10) **Patent No.:** **US D608,895 S**
(45) **Date of Patent:** **** Jan. 26, 2010**

(54) **DYNAMIC SPLINT ASSEMBLY**

(75) Inventors: **John Fletcher Farrell**, Charlotte, NC (US); **Henry B. Hoffman**, Charlotte, NC (US); **Ian D. Kovacevich**, Charlotte, NC (US)

(73) Assignee: **Saebo, Inc.**, Charlotte, NC (US)

(**) Term: **14 Years**

(21) Appl. No.: **29/328,026**

(22) Filed: **Nov. 18, 2008**

4,772,012 A	9/1988	Chesher	
4,790,301 A	12/1988	Silfverskiold	
4,840,168 A *	6/1989	Lonardo	602/22
4,858,903 A	8/1989	Tari	
4,865,285 A	9/1989	Gaggianese	
4,875,469 A	10/1989	Brook et al.	
4,881,275 A	11/1989	Cazares	
4,945,902 A	8/1990	Dorer et al.	
4,949,711 A	8/1990	Gyovai et al.	
4,960,114 A	10/1990	Dale	
4,977,890 A	12/1990	Mann	
5,056,504 A	10/1991	Mann	
5,121,743 A *	6/1992	Bishop	602/22

Related U.S. Application Data

(63) Continuation of application No. 11/306,519, filed on Dec. 30, 2005, now Pat. No. 7,458,947.

(51) **LOC (9) Cl.** **24-01**

(52) **U.S. Cl.** **D24/190**

(58) **Field of Classification Search** D24/189-190; 602/3-6, 13, 16, 19-22, 64; D29/120.1, D29/121.1, 113; 601/5, 33; 128/877, 878, 128/881, 882, 892, DIG. 19; 473/458; 248/118; 482/44, 46, 47, 124, 135, 901; 2/16, 22, 2/424, 161.2

See application file for complete search history.

(56) **References Cited**

U.S. PATENT DOCUMENTS

867,981 A	10/1907	Krizek	
3,256,880 A *	6/1966	Caypinar	128/877
3,769,970 A	11/1973	Swanson	
D230,895 S *	3/1974	Lehnel	D24/190
3,911,497 A *	10/1975	Lewis et al.	2/16
D239,143 S *	3/1976	Arluck et al.	D24/190
3,957,266 A	5/1976	Rice	
4,173,021 A	10/1979	Zuchner et al.	
4,190,902 A *	3/1980	Rhee	2/16
4,373,517 A *	2/1983	Criscuolo	602/5
4,523,586 A *	6/1985	Couri	602/3
4,602,620 A	7/1986	Marx	
4,765,320 A	8/1988	Lindemann et al.	

(Continued)

Primary Examiner—Philip S Hyder

Assistant Examiner—Susan E Krakower

(74) *Attorney, Agent, or Firm*—Nelson Mullins Riley & Scarborough, LLP

(57) **CLAIM**

The ornamental design for a dynamic splint assembly, substantially as shown and described.

DESCRIPTION

FIG. 1 is a left side view of a dynamic splint assembly showing the design of the present invention;

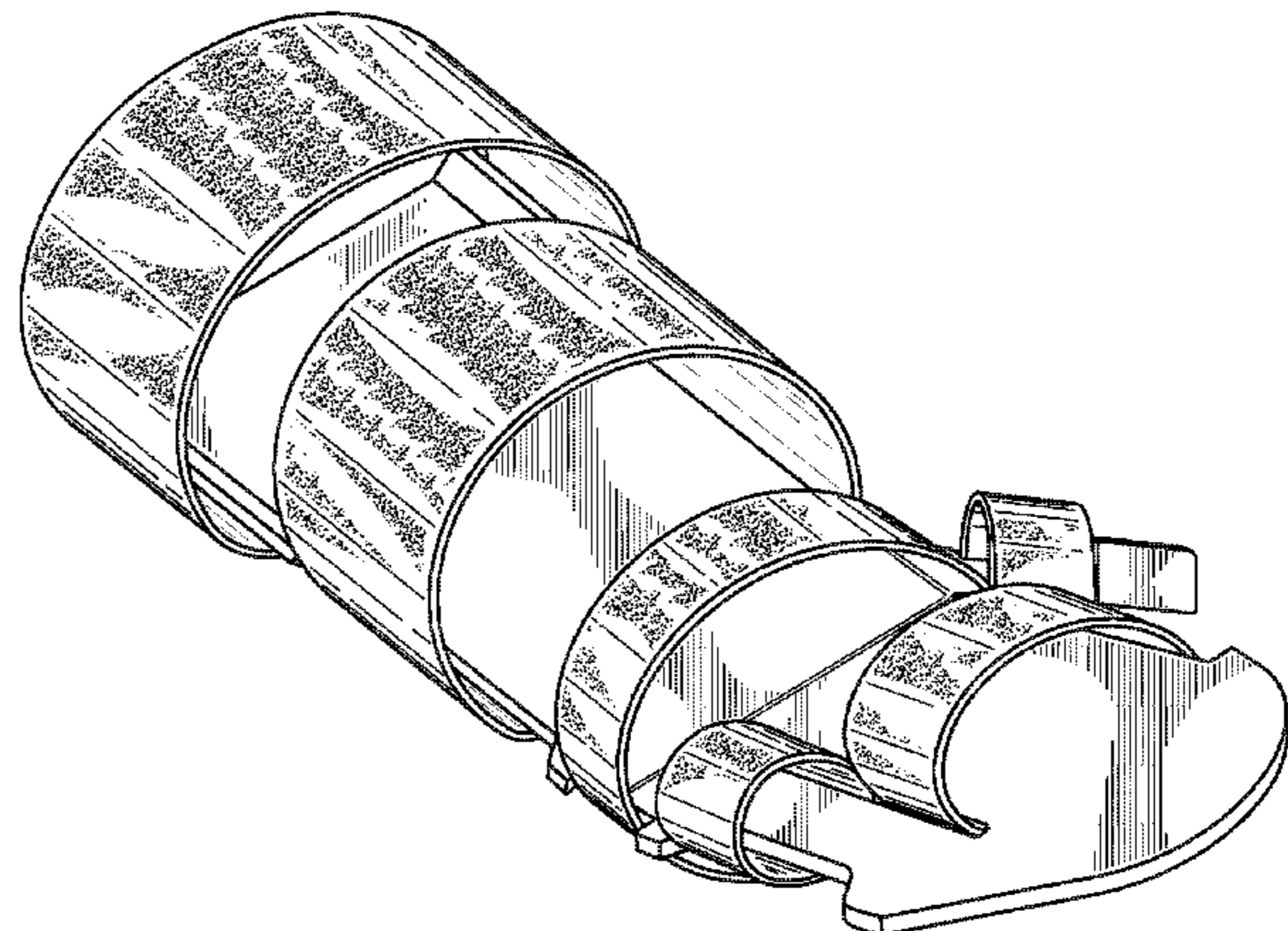
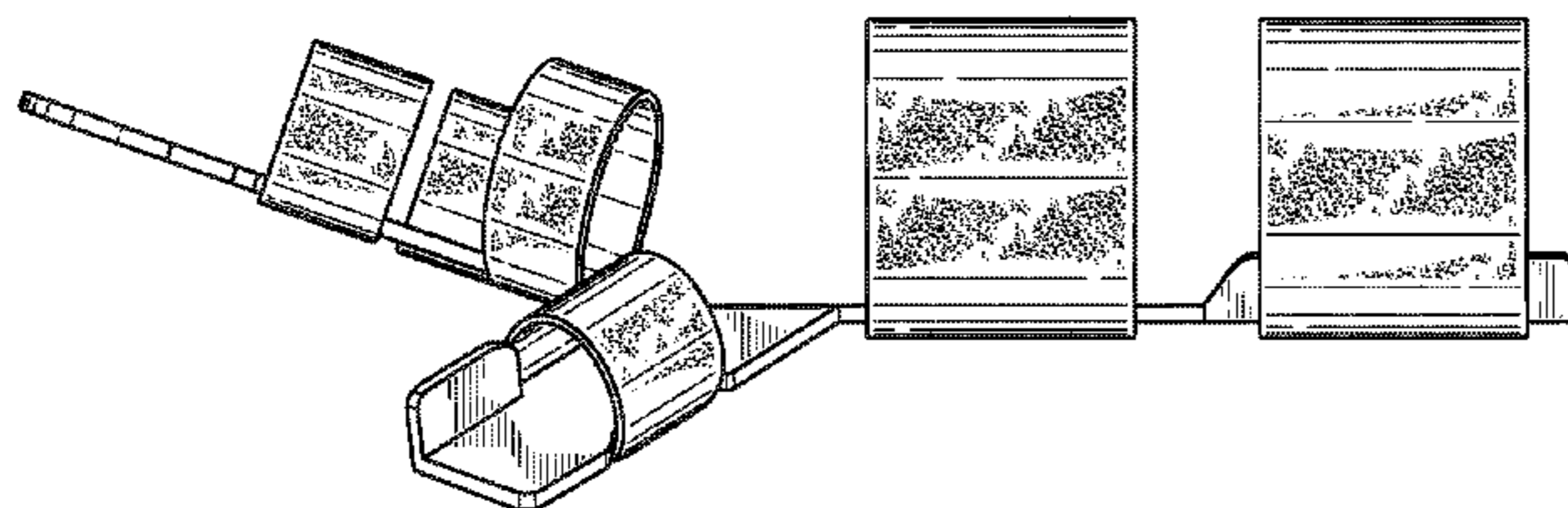
FIG. 2 is a right side view of the dynamic splint assembly illustrated in FIG. 1;

FIG. 3 is a front perspective view of the dynamic splint assembly illustrated in FIG. 1;

FIG. 4 is a rear perspective view of the dynamic splint assembly illustrated in FIG. 1; and,

FIG. 5 is a top view of the dynamic splint assembly illustrated in FIG. 1.

1 Claim, 5 Drawing Sheets



US D608,895 S

Page 2

U.S. PATENT DOCUMENTS								
5,162,030	A	11/1992	Tanski	5,782,784	A *	7/1998	Wassermann	602/21
D333,520	S *	2/1993	Mann	5,807,293	A	9/1998	Wedge, Jr.	
5,205,812	A	4/1993	Wasserman	5,820,577	A	10/1998	Taylor	
D340,990	S *	11/1993	Kawamura	5,836,902	A	11/1998	Gray	
5,263,593	A	11/1993	Aida	5,921,945	A	7/1999	Gray	
5,295,948	A	3/1994	Gray	6,033,139	A	3/2000	Dutcher	
5,415,623	A	5/1995	Cherubini	D427,383	S *	6/2000	Inman	D29/113
5,415,624	A	5/1995	Williams	6,120,471	A *	9/2000	Varn	602/21
5,453,064	A	9/1995	Williams, Jr.	6,165,148	A *	12/2000	Carr-Stock	602/21
5,456,650	A	10/1995	Williams, Jr. et al.	6,261,253	B1 *	7/2001	Katzin	602/21
5,505,553	A	4/1996	Saviano et al.	6,422,975	B1 *	7/2002	Chermak	482/46
5,514,052	A	5/1996	Charles et al.	6,575,926	B2	6/2003	Bonutti et al.	
D371,845	S *	7/1996	Varn	D486,610	S *	2/2004	Alivo, Jr.	D29/120.1
5,538,488	A	7/1996	Villepigue	6,702,725	B2	3/2004	Hoffman et al.	
5,542,667	A	8/1996	Lezdey et al.	6,773,410	B2 *	8/2004	Varn	602/13
5,560,375	A	10/1996	Kabanek	6,854,913	B2	2/2005	Farrell et al.	
5,584,799	A	12/1996	Gray	6,945,252	B2 *	9/2005	Mengato	128/878
5,599,123	A	2/1997	Still	7,001,352	B2	2/2006	Farrell et al.	
5,637,078	A	6/1997	Varn	D581,539	S *	11/2008	Rotter et al.	D24/190
5,697,103	A	12/1997	Wiggins	7,458,947	B2 *	12/2008	Farrell et al.	602/21
				2003/0195093	A1	10/2003	White	

* cited by examiner

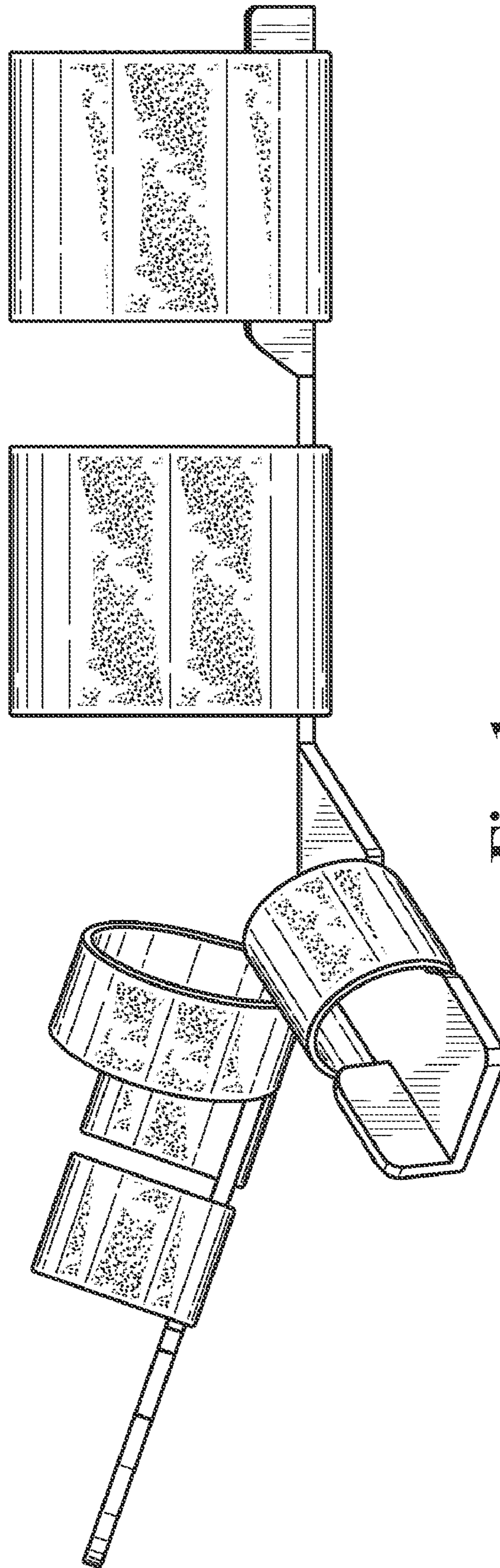


Fig. 1

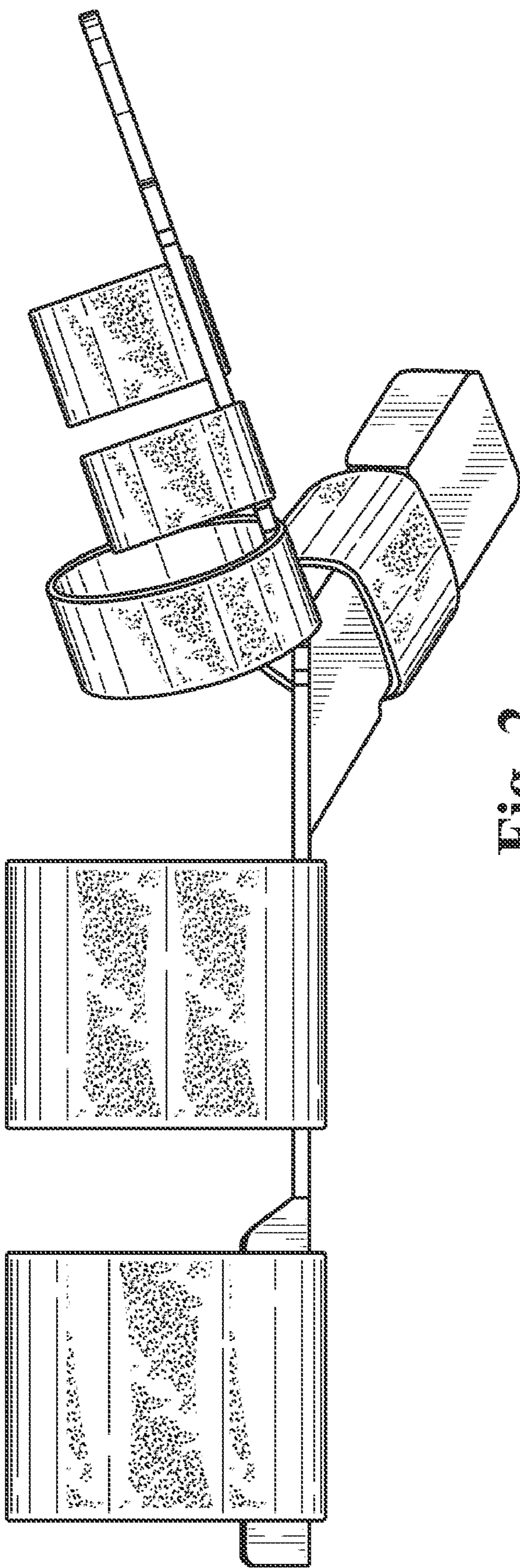


Fig. 2

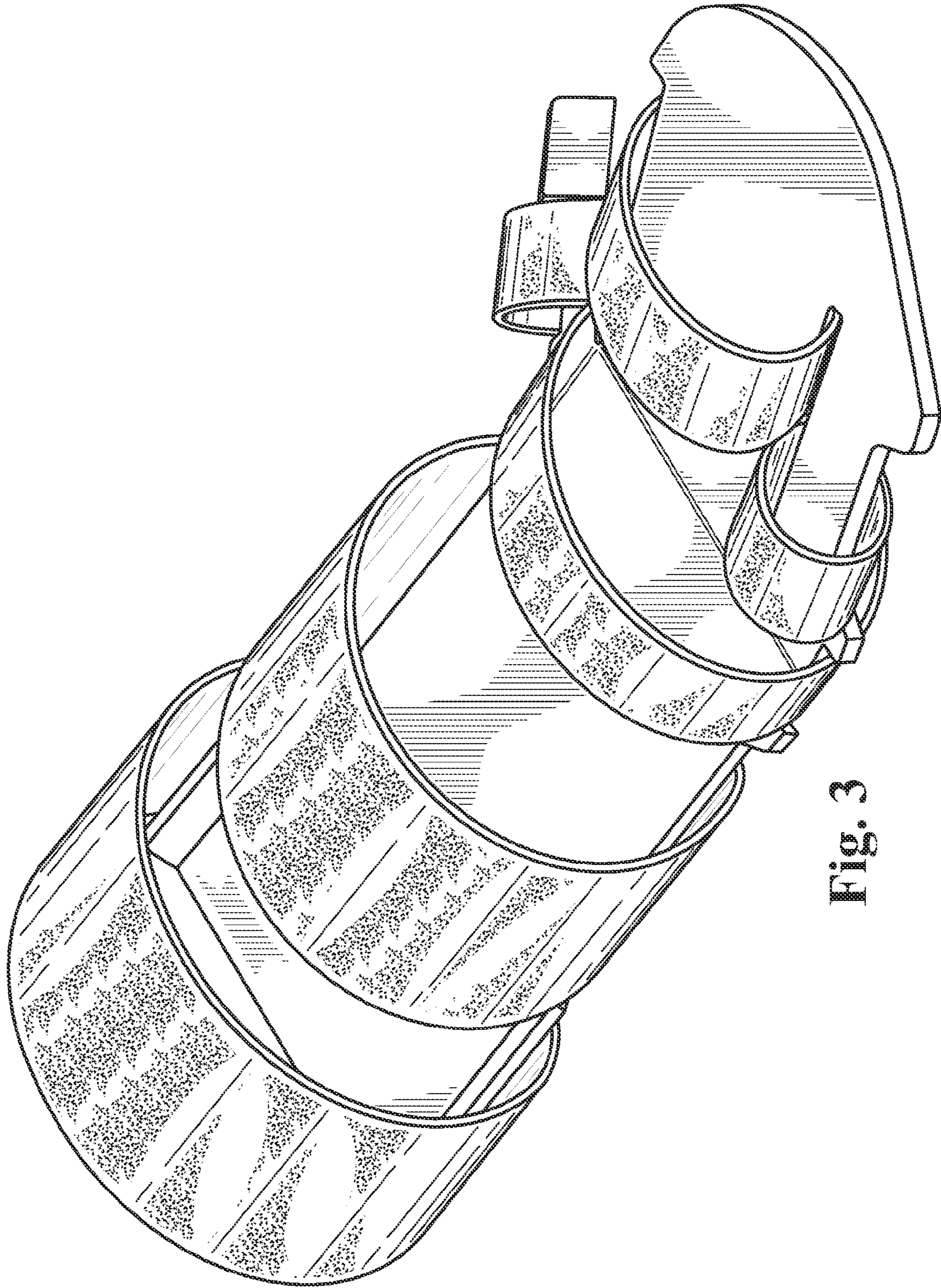


Fig. 3

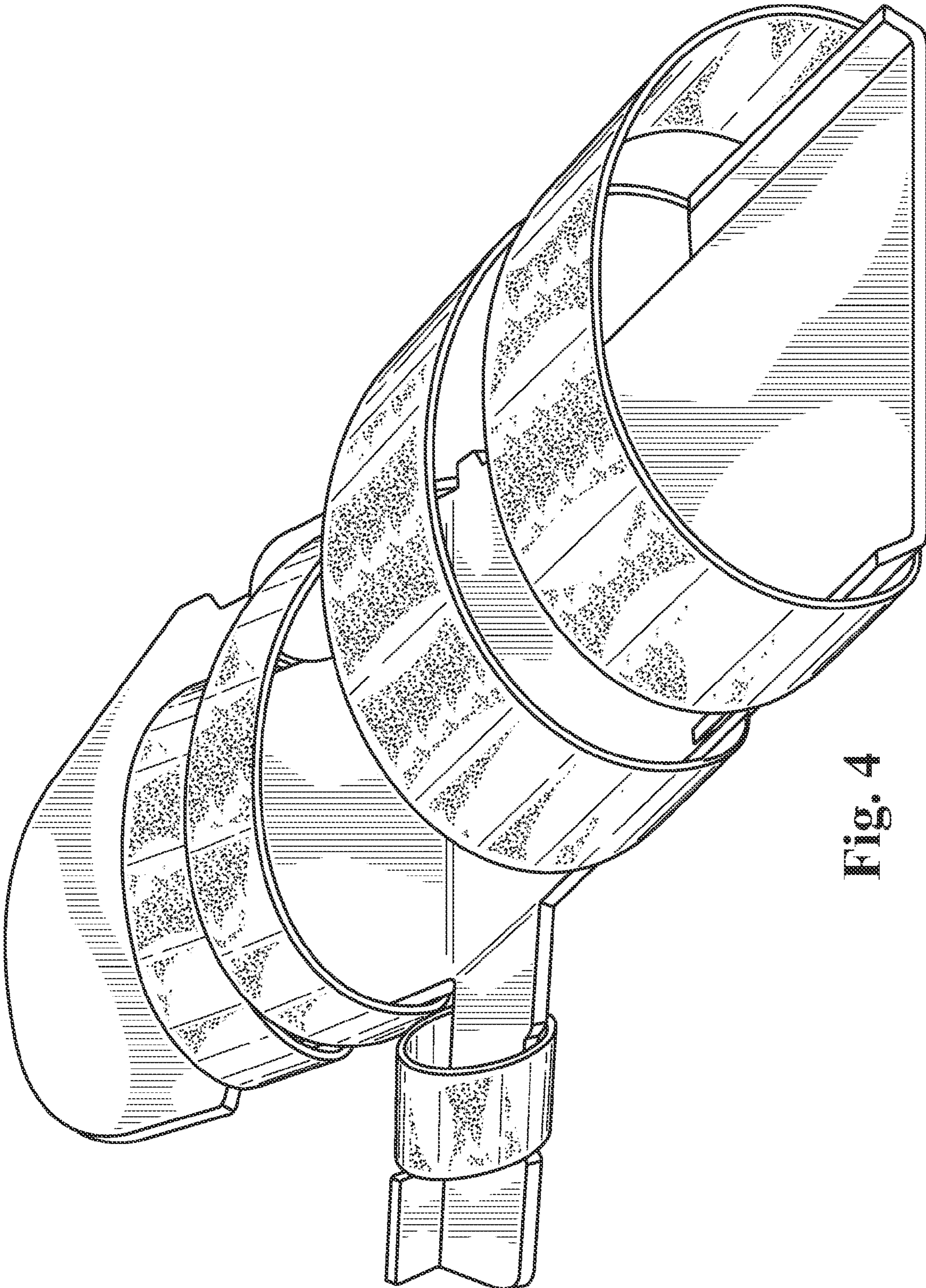


Fig. 4

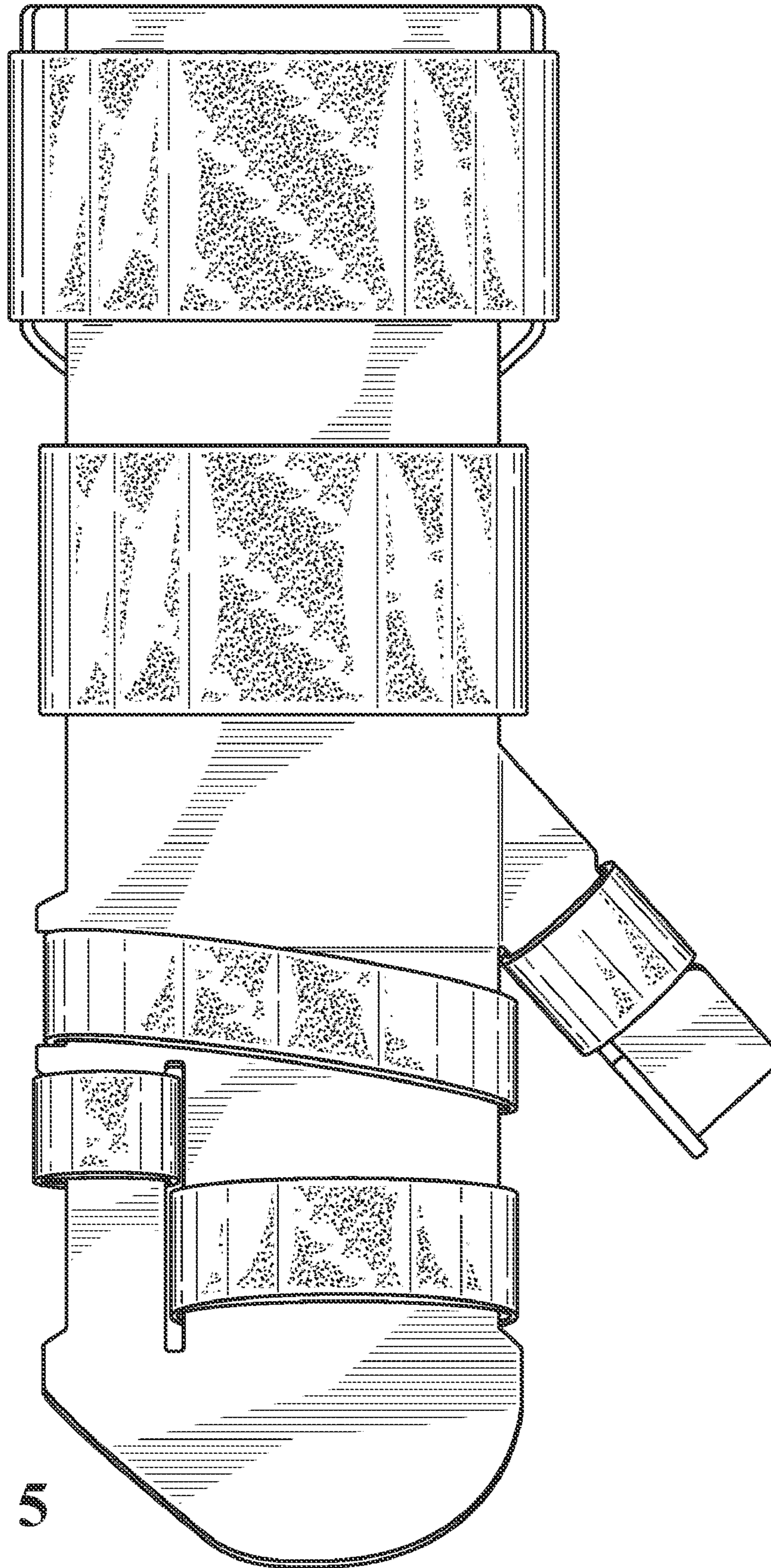


Fig. 5