



US00D608889S

(12) **United States Design Patent**
Tenger et al.

(10) **Patent No.:** **US D608,889 S**
(45) **Date of Patent:** **** Jan. 26, 2010**

(54) **LARYNGOSCOPE**

D541,937 S * 5/2007 Yee D24/137
D547,449 S * 7/2007 Ashraf D24/137

(75) Inventors: **James P. Tenger**, Carlsbad, CA (US);
Leslie A. Tenger, Carlsbad, CA (US);
John R. Hicks, Carlsbad, CA (US)

(Continued)

FOREIGN PATENT DOCUMENTS

(73) Assignee: **Intubrite, LLC**, Rancho Santa Fe, CA (US)

KR 1020070044379 4/2007

(Continued)

(**) Term: **14 Years**

OTHER PUBLICATIONS

(21) Appl. No.: **29/332,193**

International Search Report and Written Opinion for PCT/US08/074878 dated Mar. 19, 2009.

(22) Filed: **Feb. 10, 2009**

Primary Examiner—Charles A. Rademaker

Assistant Examiner—Charles D Hanson

(51) **LOC (9) Cl.** **24-02**

(52) **U.S. Cl.** **D24/137**

(58) **Field of Classification Search** D24/133,
D24/135, 176, 152, 156, 140, 141, 143, 137,
D24/138; 600/206, 214, 164, 157, 156, 200,
600/113, 135, 138, 121, 131, 153; 606/191,
606/196, 197, 198; D8/32

(74) *Attorney, Agent, or Firm*—Stephen C. Beuerle; Procopio Cory Hargreaves & Savitch LLP

See application file for complete search history.

(57) **CLAIM**

The ornamental design for a laryngoscope, as shown and described.

(56) **References Cited**

DESCRIPTION

U.S. PATENT DOCUMENTS

D185,398 S *	6/1959	Todt	D24/138
D271,135 S *	10/1983	Greenblatt	D24/138
D297,363 S *	8/1988	Salerno et al.	D24/138
4,782,819 A	11/1988	Adair		
D337,384 S *	7/1993	Schucman	D24/138
D449,499 S *	10/2001	Voges	D8/32
6,459,919 B1	10/2002	Lys et al.		
6,569,089 B1	5/2003	Covington et al.		
D491,267 S *	6/2004	Ashraf	D24/137
6,809,499 B2	10/2004	Solingen		
6,876,446 B2	4/2005	Taylor et al.		
D512,778 S *	12/2005	Ashraf	D24/138
7,052,456 B2	5/2006	Simon		

FIG. 1 is a perspective view of an embodiment of the laryngoscope.

FIG. 2 is a bottom plan view of the laryngoscope.

FIG. 3 is a front elevational view of the laryngoscope.

FIG. 4 is a right side elevational view of the laryngoscope.

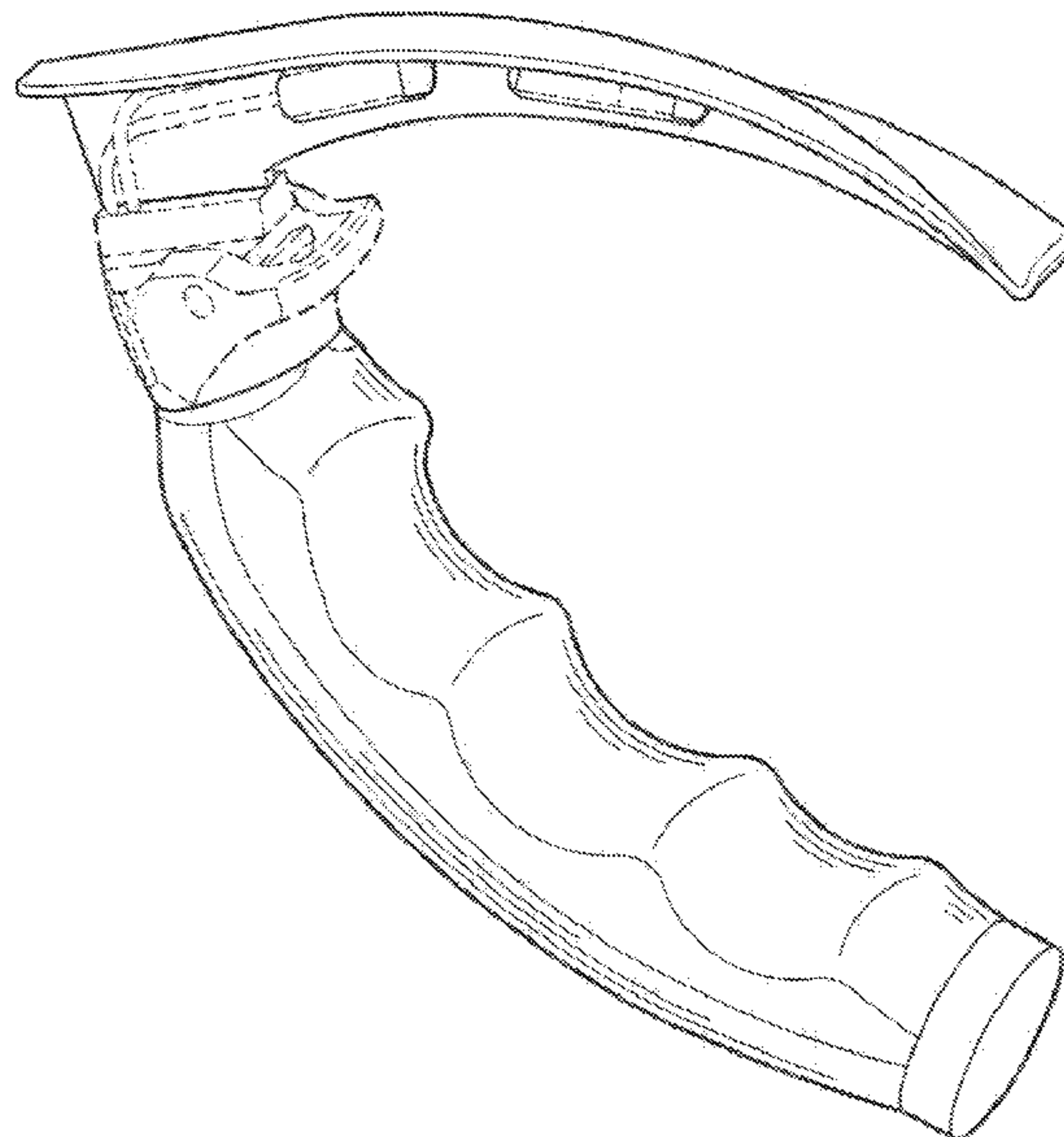
FIG. 5 is a left elevational view of the laryngoscope.

FIG. 6 is a rear elevational view of the laryngoscope; and,

FIG. 7 is a top plan view of the laryngoscope.

The broken lines shown in FIGS. 1–7 are included for the purpose of illustrating environmental elements only and form no part of the claimed design.

1 Claim, 3 Drawing Sheets



US D608,889 S

Page 2

U.S. PATENT DOCUMENTS

D550,841 S * 9/2007 Berci et al. D24/137
D554,255 S * 10/2007 Iqbal D24/137
7,308,296 B2 12/2007 Lys et al.
D559,982 S * 1/2008 Iqbal D24/137
D581,532 S * 11/2008 Cranton et al. D24/137
2003/0191459 A1 10/2003 Ganz et al.
2006/0069314 A1 3/2006 Farr

2007/0276185 A1 11/2007 Gono et al.
2007/0276191 A1 11/2007 Selover et al.
2008/0015560 A1 1/2008 Gowda et al.
2008/0045800 A2 2/2008 Farr

FOREIGN PATENT DOCUMENTS

WO 93/11700 6/1993

* cited by examiner

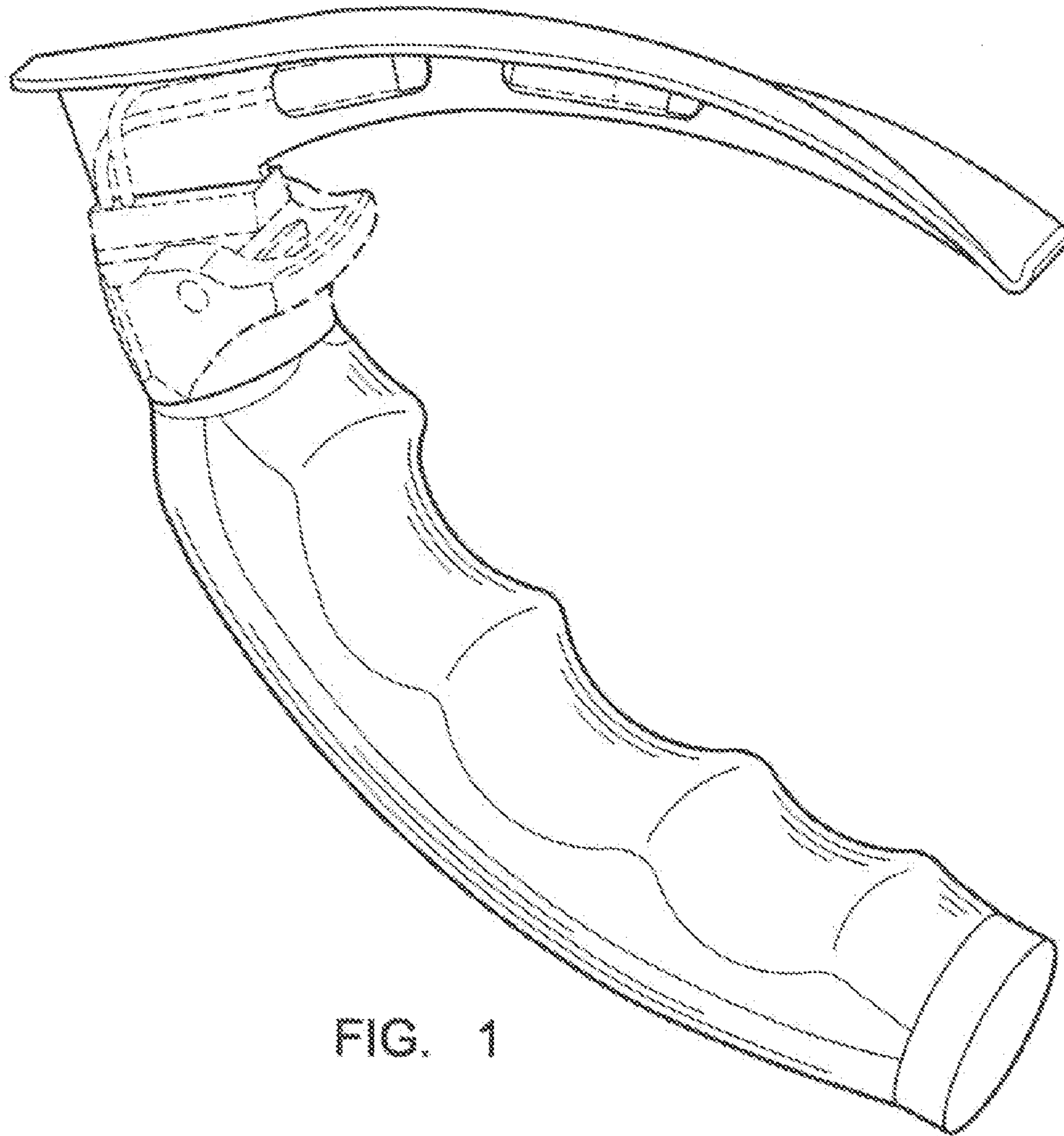


FIG. 1

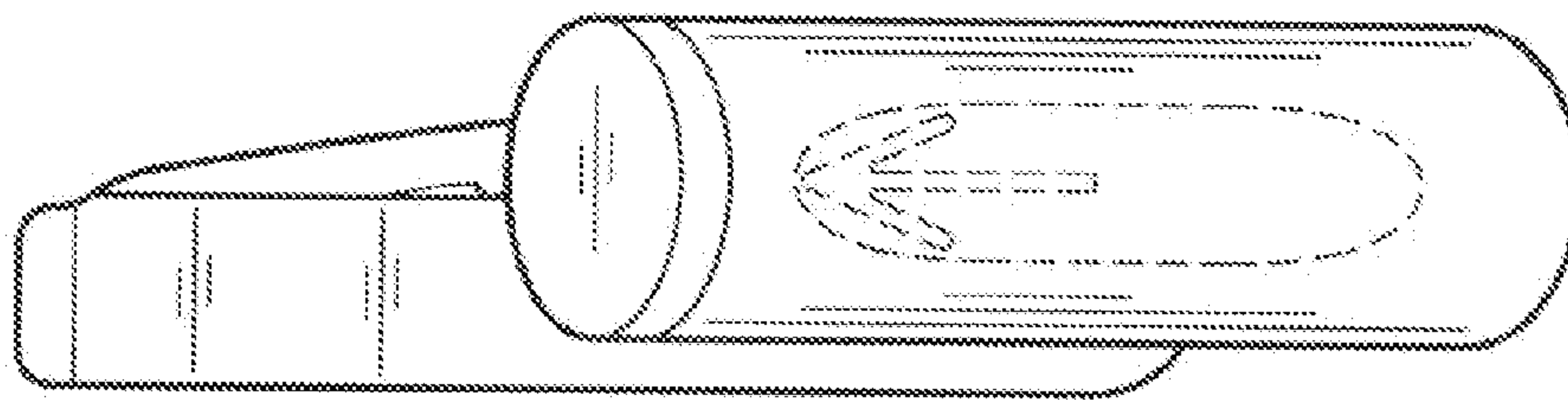


FIG. 2

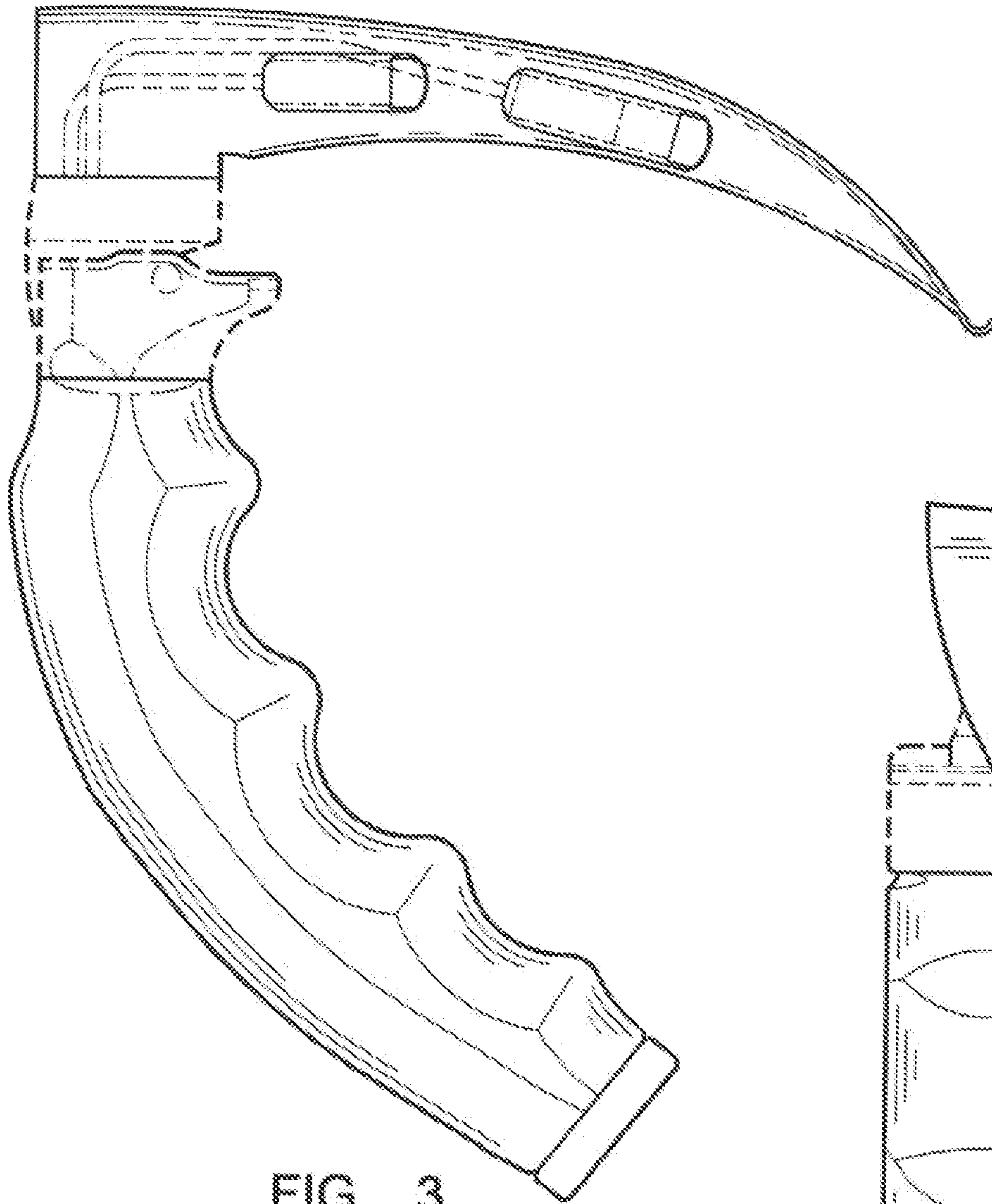


FIG. 3

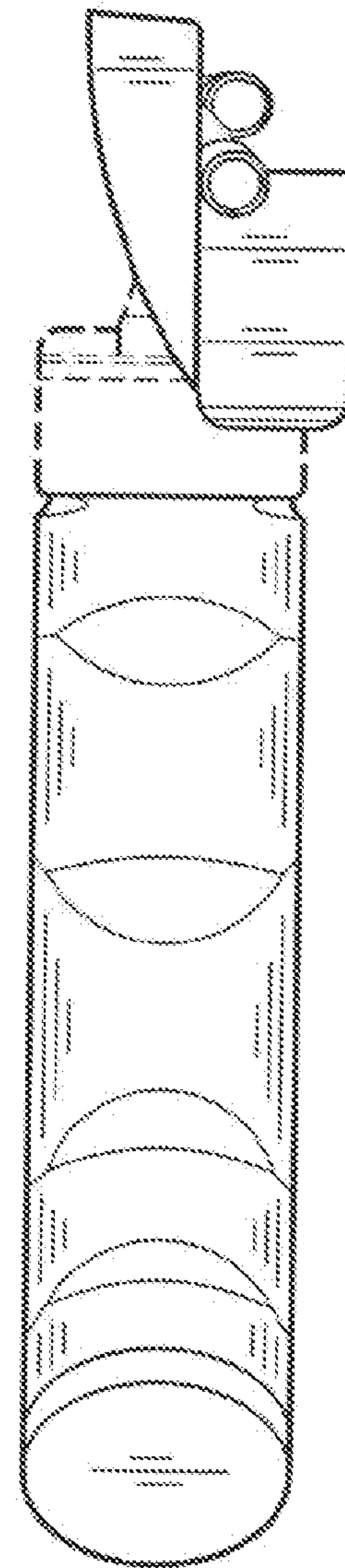


FIG. 4

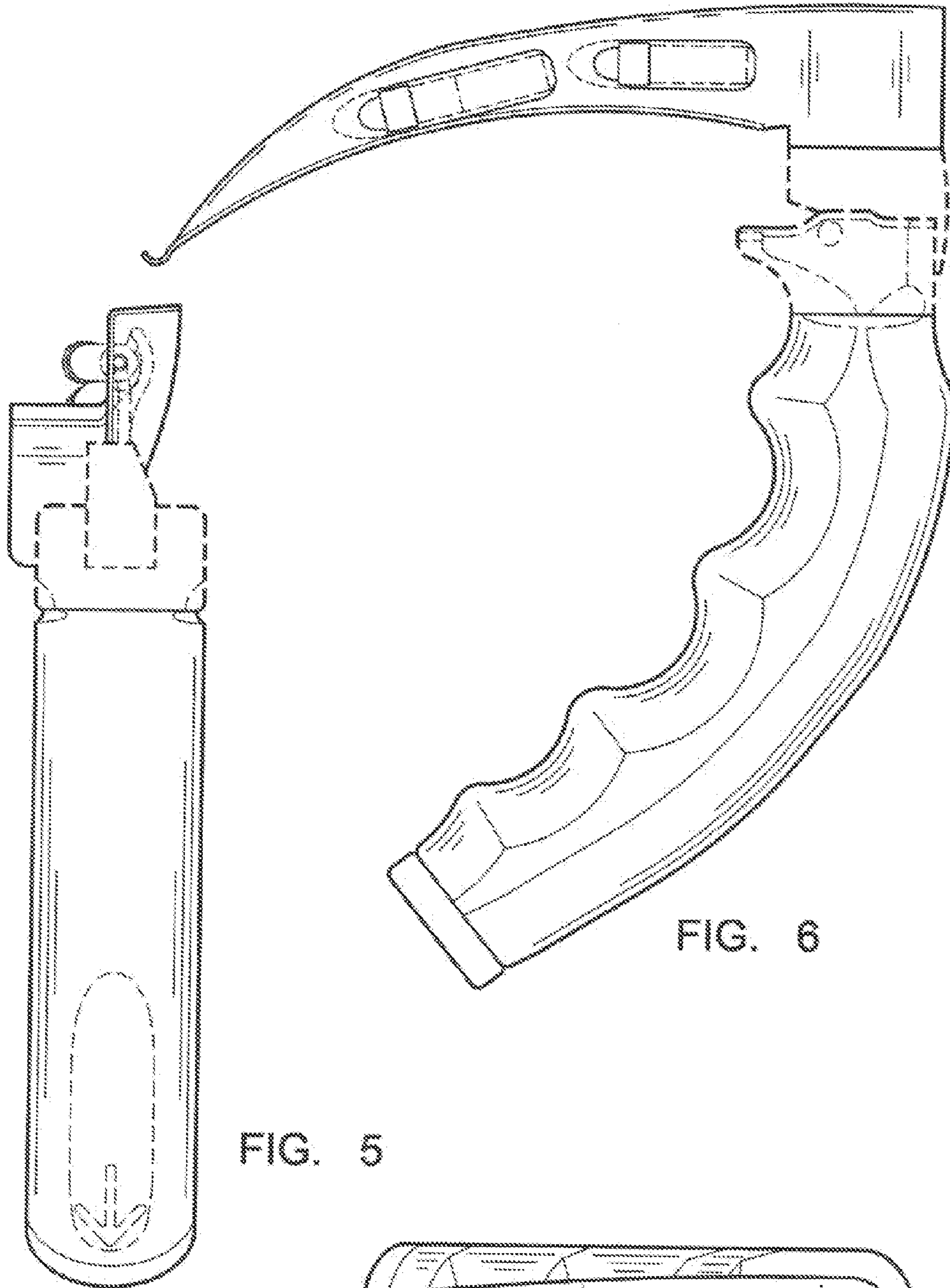


FIG. 5

FIG. 6

FIG. 7