



US00D608888S

(12) **United States Design Patent**  
**Braynin et al.**

(10) **Patent No.:** **US D608,888 S**

(45) **Date of Patent:** **\*\* \*Jan. 26, 2010**

(54) **REMOVABLE TIP OF A HANDPIECE FOR A DERMATOLOGICAL OPTICAL DELIVERY SYSTEM**

(75) Inventors: **Boris Braynin**, San Jose, CA (US);  
**Jeffrey L. Sobiech**, San Jose, CA (US)

(73) Assignee: **Reliant Technologies, Inc.**, Mountain View, CA (US)

(\*) Notice: This patent is subject to a terminal disclaimer.

(\*\*) Term: **14 Years**

(21) Appl. No.: **29/305,884**

(22) Filed: **Mar. 28, 2008**

(51) **LOC (9) Cl.** ..... **24-02**

(52) **U.S. Cl.** ..... **D24/133; D24/107**

(58) **Field of Classification Search** ..... D24/107,  
D24/133; 606/4, 9, 131, 80; 604/410  
See application file for complete search history.

(56) **References Cited**

U.S. PATENT DOCUMENTS

|              |         |                |       |         |
|--------------|---------|----------------|-------|---------|
| D320,279 S * | 9/1991  | McQueen        | ..... | D24/215 |
| D481,463 S * | 10/2003 | Cook et al.    | ..... | D24/200 |
| D495,054 S * | 8/2004  | Laun et al.    | ..... | D24/146 |
| D510,158 S * | 9/2005  | Cheung         | ..... | D28/58  |
| D546,470 S * | 7/2007  | Wu             | ..... | D24/215 |
| D562,451 S   | 2/2008  | Braynin et al. |       |         |

OTHER PUBLICATIONS

U.S. Appl. No. 29/305,886, filed Mar. 28, 2008, first named Inventor Boris Braynin.

U.S. Appl. No. 29/296,766, filed Oct. 26, 2007, first named Inventor Boris Braynin.

\* cited by examiner

*Primary Examiner*—Ian Simmons

*Assistant Examiner*—Anna J Burmeister

(74) *Attorney, Agent, or Firm*—Wood, Herron & Evans, LLP

(57) **CLAIM**

The ornamental design for a removable tip of a handpiece for a dermatological optical delivery system, as shown and described.

**DESCRIPTION**

FIG. 1 is a perspective view showing the top, front side, and right side of a removable tip of a handpiece for a dermatological optical delivery system according to our new design;

FIG. 2 is a perspective view showing the top, rear side, and left side thereof;

FIG. 3 is a front view thereof;

FIG. 4 is a rear view thereof;

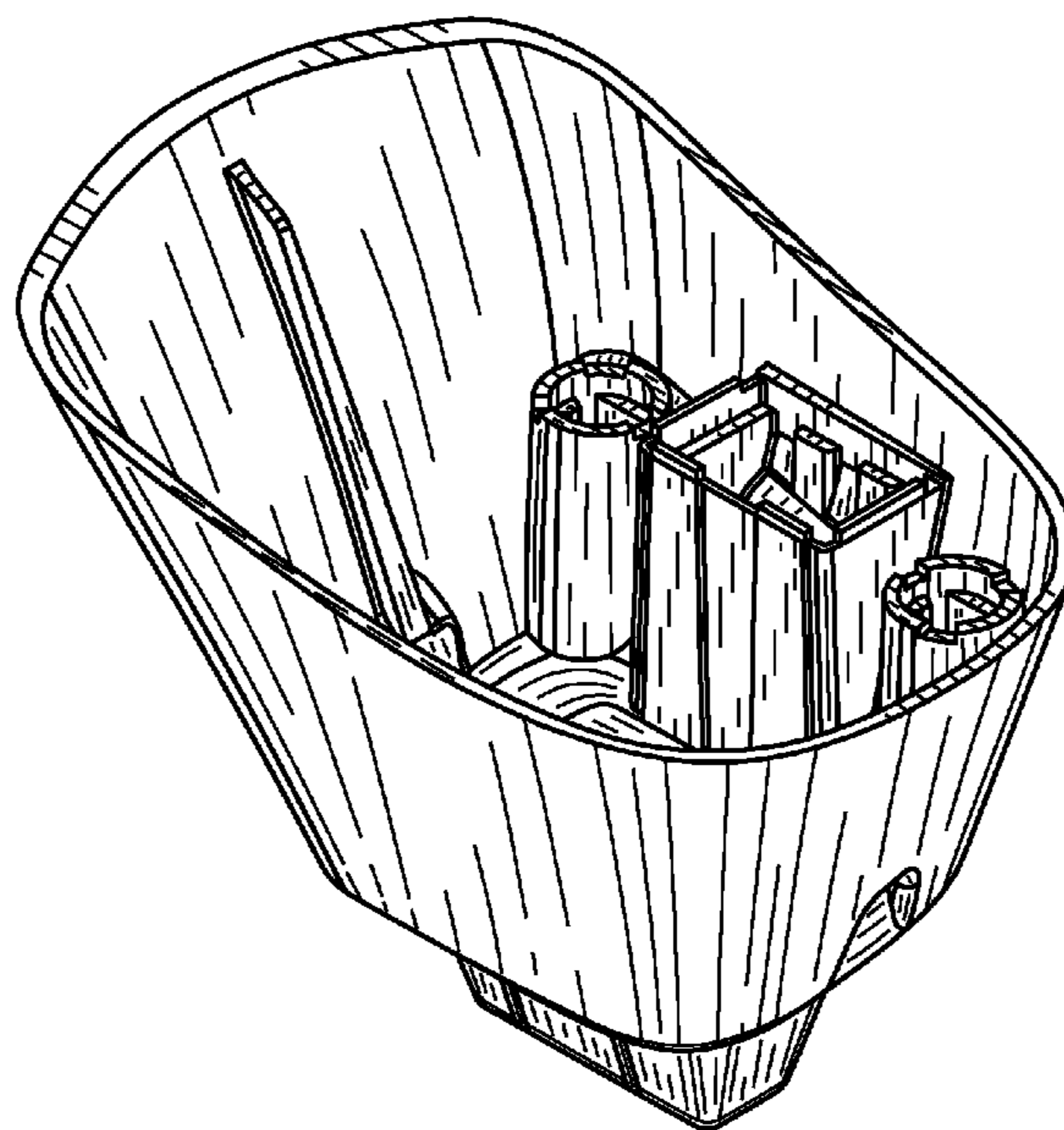
FIG. 5 is a left side view thereof;

FIG. 6 is a right side view thereof;

FIG. 7 is a top view thereof; and,

FIG. 8 is a bottom view thereof.

**1 Claim, 4 Drawing Sheets**



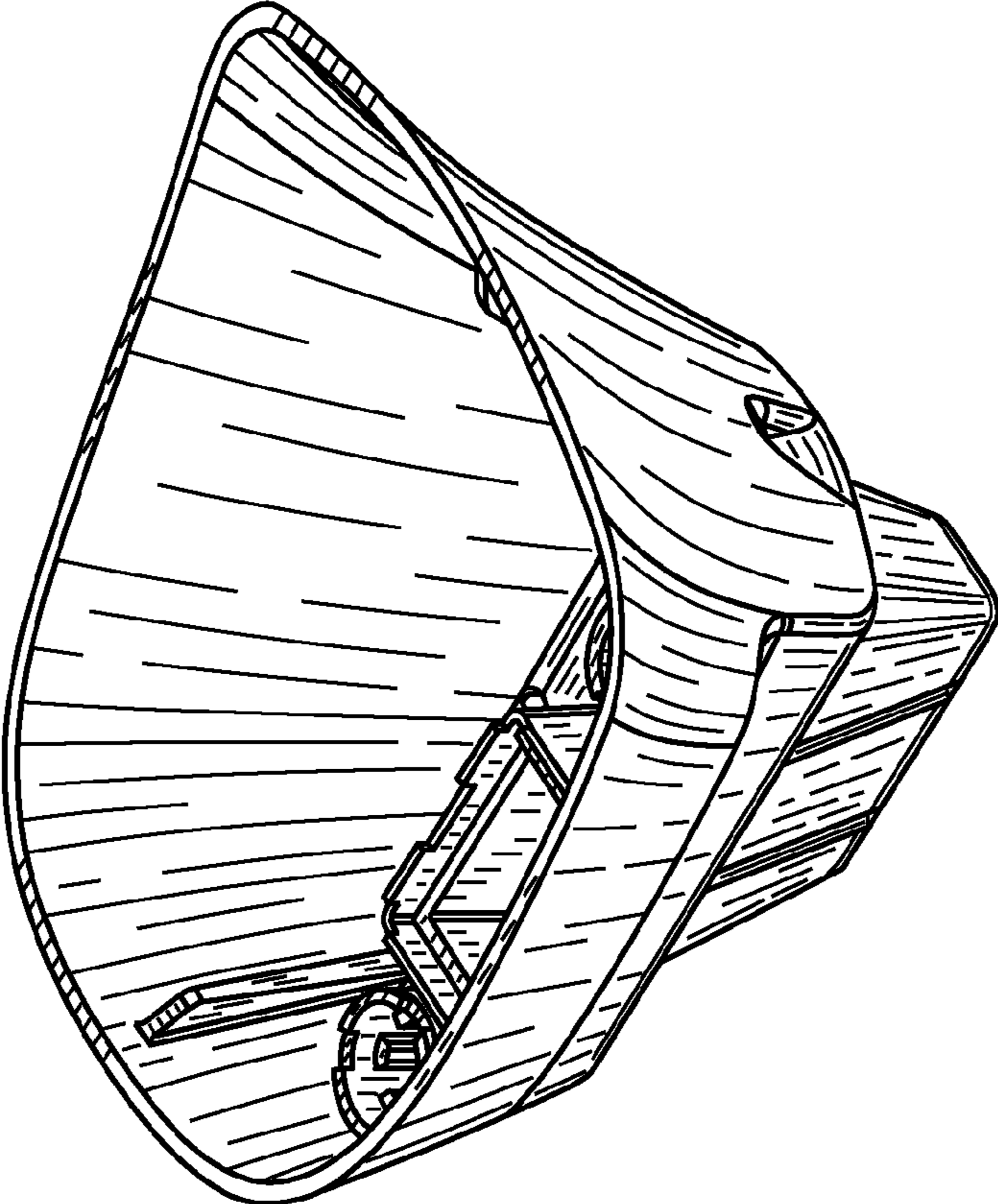


FIG. 2

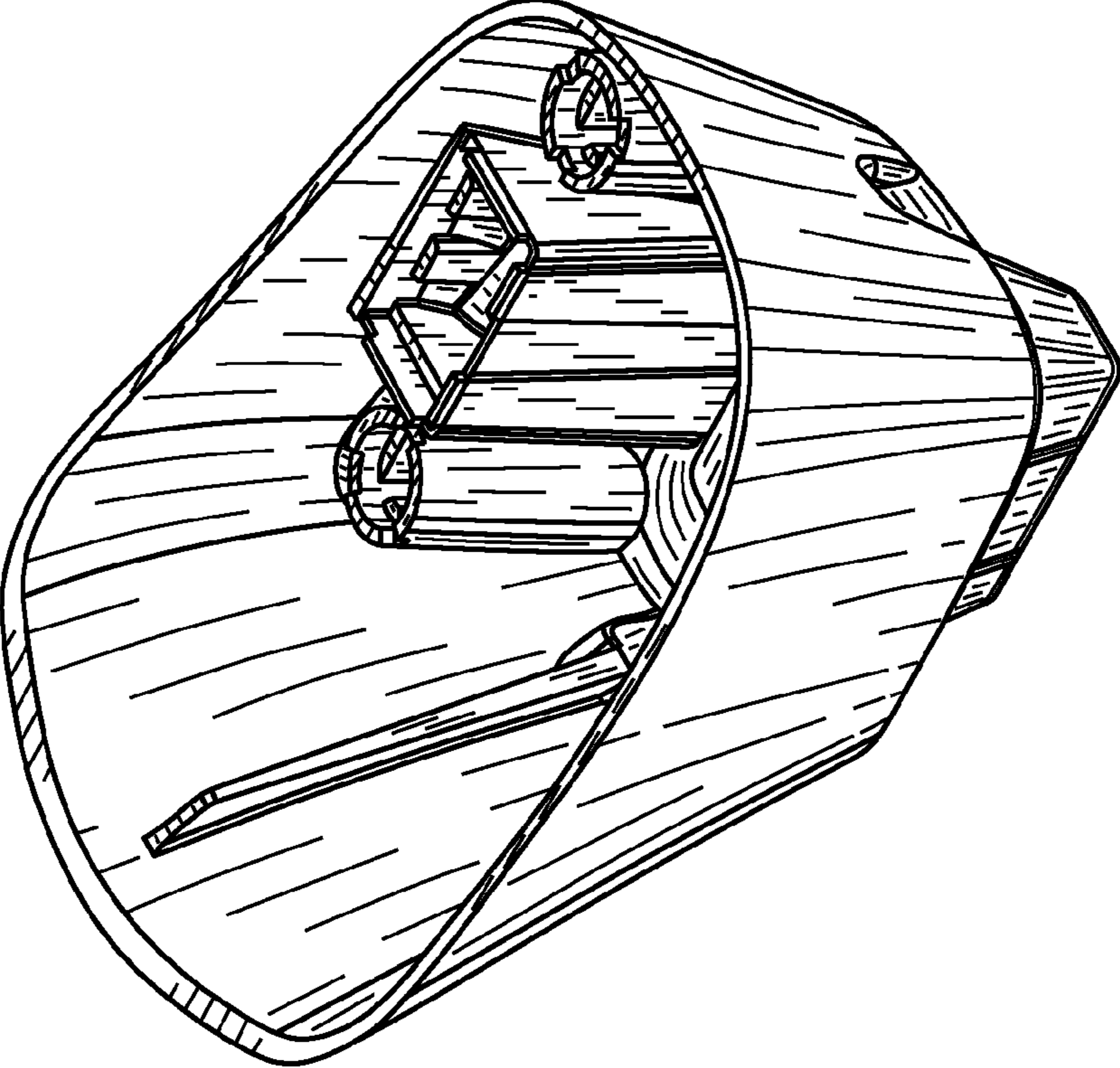


FIG. 1

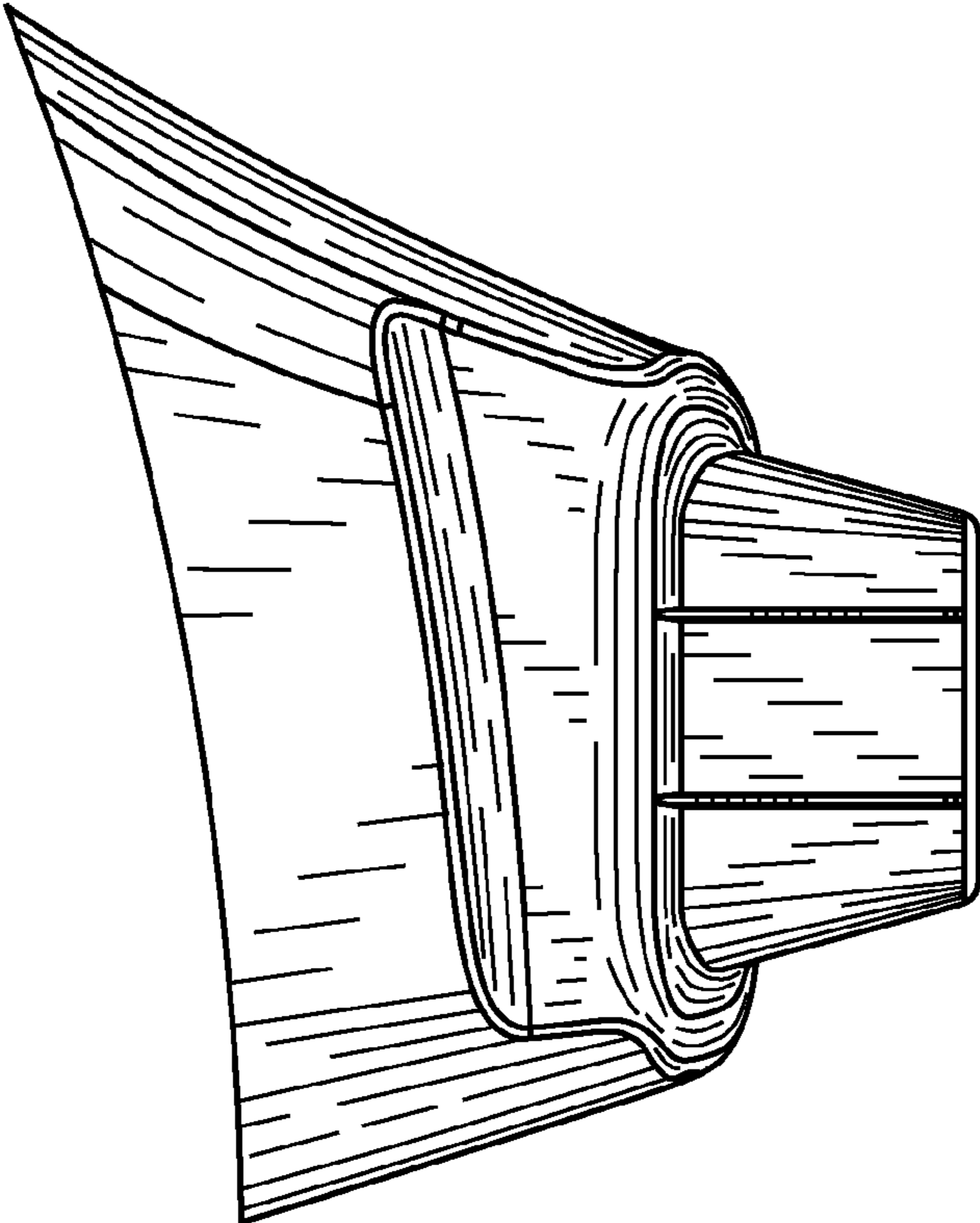


FIG. 4

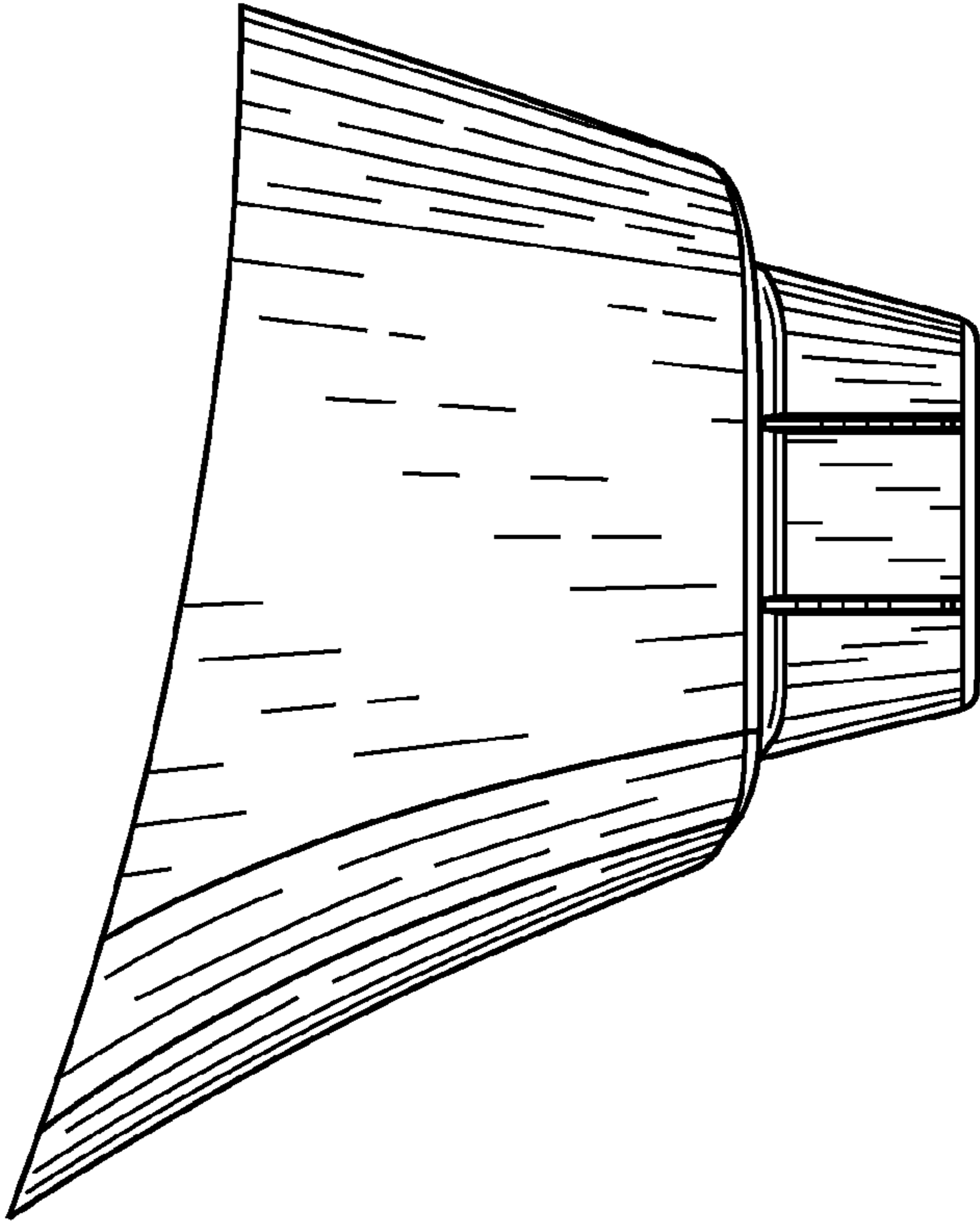


FIG. 3

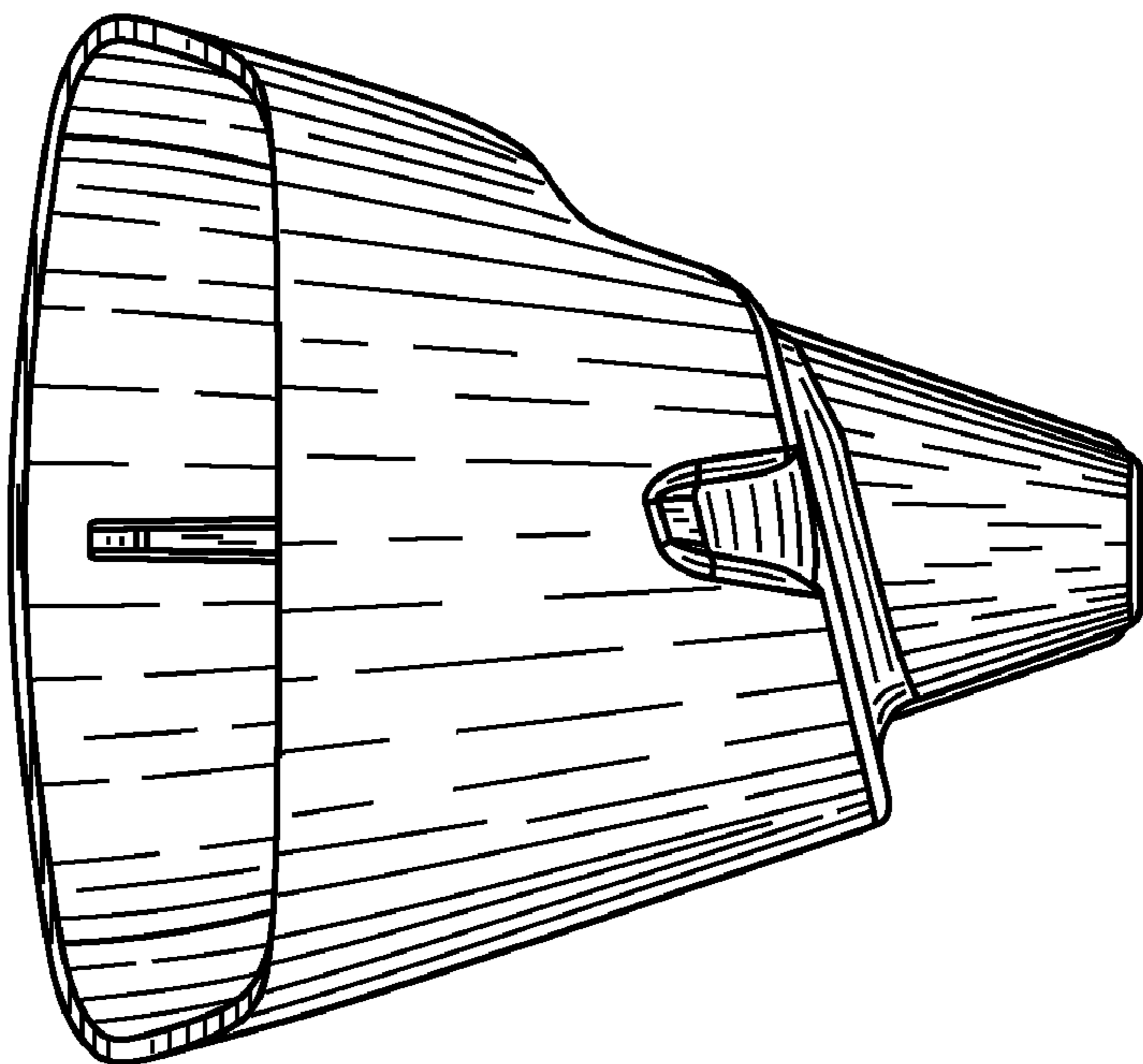


FIG. 6

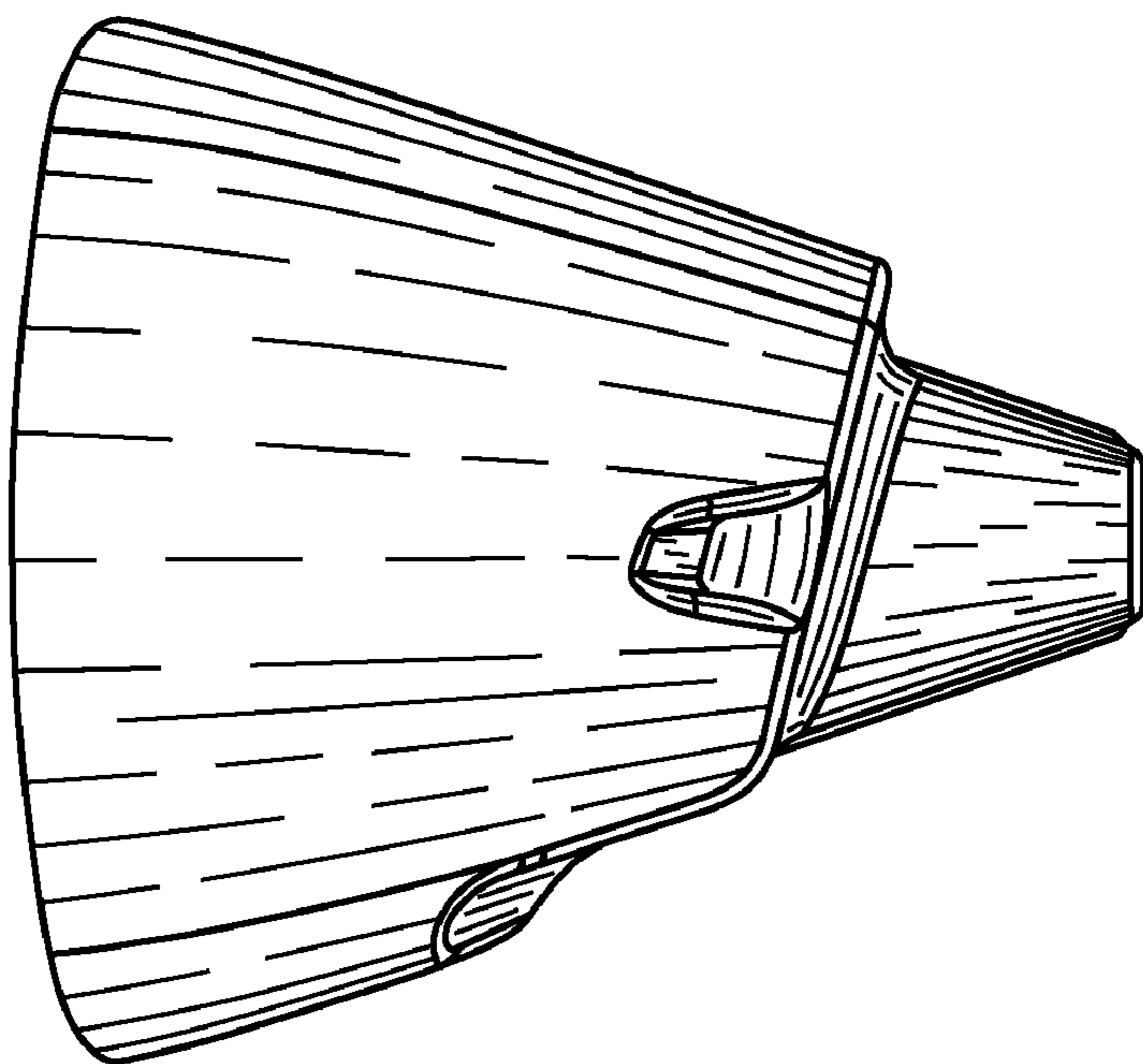


FIG. 5

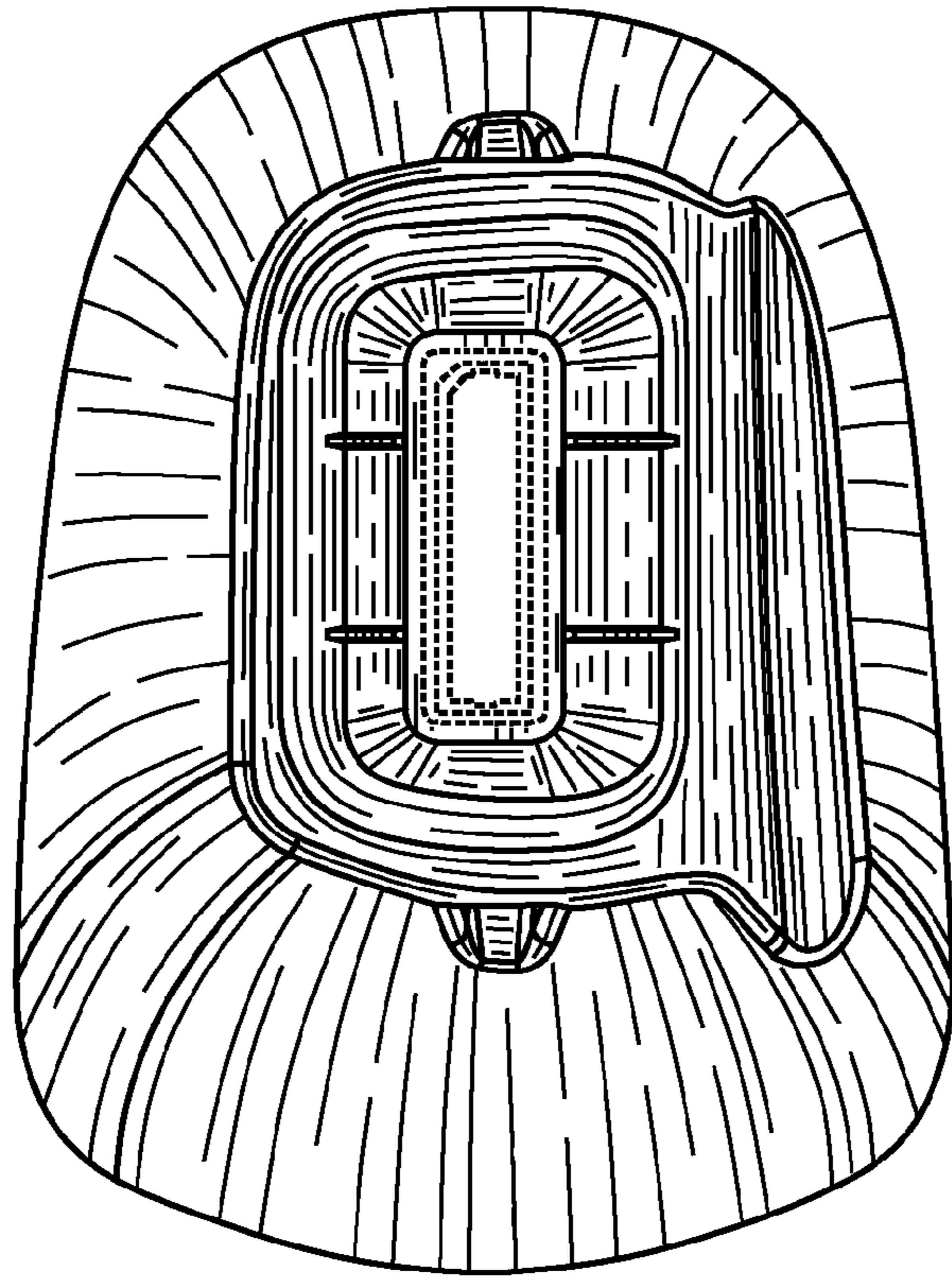


FIG. 8

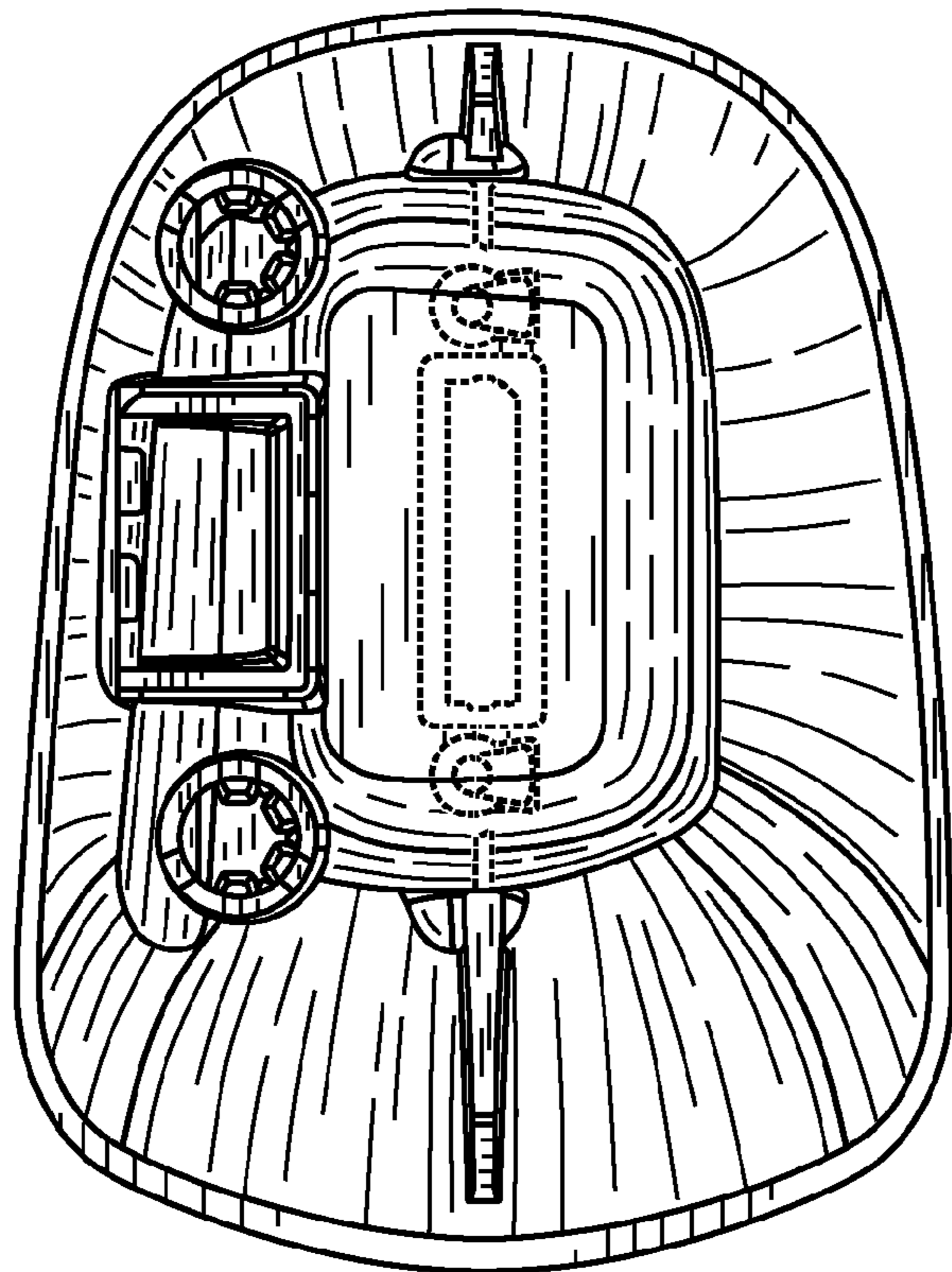


FIG. 7