



US00D608886S

(12) **United States Design Patent**
Rueckert et al.

(10) **Patent No.:** **US D608,886 S**
(45) **Date of Patent:** **** Jan. 26, 2010**

(54) **SYRINGE**

(75) Inventors: **Ralf Rueckert**, Wurmlingen (DE);
Stefan Knefel, Steisslingen (DE)

(73) Assignee: **Henke-Sass, Wolf GmbH**, Tuttlingen
(DE)

(**) Term: **14 Years**

(21) Appl. No.: **29/301,281**

(22) Filed: **Feb. 20, 2008**

(30) **Foreign Application Priority Data**

Nov. 22, 2007 (EM) 000830468

(51) **LOC (9) Cl.** **24-02**

(52) **U.S. Cl.** **D24/130**

(58) **Field of Classification Search** D24/112,
D24/114, 130, 141; 604/192, 218, 187, 173;
600/573, 577-578, 570

See application file for complete search history.

(56) **References Cited**

U.S. PATENT DOCUMENTS

D202,754 S *	11/1965	Naftolin	D24/114
4,840,619 A *	6/1989	Hughes	604/187
D306,069 S *	2/1990	Kelly et al.	D24/114
5,112,307 A *	5/1992	Haber et al.	604/110
5,137,528 A *	8/1992	Cröse	604/415
5,306,258 A *	4/1994	de la Fuente	604/198
5,695,477 A *	12/1997	Sfikas	604/241
2002/0068921 A1 *	6/2002	McWethy et al.	604/506
2004/0199124 A1 *	10/2004	Conte	604/192
2006/0116645 A1 *	6/2006	Whitfield et al.	604/187
2007/0060897 A1 *	3/2007	Wang	604/232
2007/0208310 A1 *	9/2007	Stadick	604/187
2008/0051729 A1 *	2/2008	Cheng	604/232

* cited by examiner

Primary Examiner—T. Chase Nelson

Assistant Examiner—Eric L Goodman

(74) *Attorney, Agent, or Firm*—Patterson, Thuente, Skaar &
Christensen, P.A.

(57) **CLAIM**

The ornamental design for a syringe, as shown and described.

DESCRIPTION

FIG. 1 is a perspective view of a syringe according to a first embodiment of the invention;

FIG. 2 is a side elevation view of the syringe of FIG. 1;

FIG. 3 is a front elevation view of the syringe of FIG. 1;

FIG. 4 is a rear elevation view of the syringe of FIG. 1;

FIG. 5 is a top plan view of the syringe of FIG. 1;

FIG. 6 is a bottom plan view of the syringe of FIG. 1;

FIG. 7 is a perspective view of a syringe according to a second embodiment of the invention;

FIG. 8 is a side elevation view of the syringe of FIG. 7;

FIG. 9 is a front elevation view of the syringe of FIG. 7;

FIG. 10 is a rear elevation view of the syringe of FIG. 7;

FIG. 11 is a top plan view of the syringe of FIG. 7;

FIG. 12 is a bottom plan view of the syringe of FIG. 7;

FIG. 13 is a perspective view of a syringe according to a third embodiment of the invention;

FIG. 14 is a side elevation view of the syringe of FIG. 13;

FIG. 15 is a front elevation view of the syringe of FIG. 13;

FIG. 16 is a rear elevation view of the syringe of FIG. 13;

FIG. 17 is a top plan view of the syringe of FIG. 13;

FIG. 18 is a bottom plan view of the syringe of FIG. 13;

FIG. 19 is a perspective view of a syringe according to a fourth embodiment of the invention;

FIG. 20 is a side elevation view of the syringe of FIG. 19;

FIG. 21 is a front elevation view of the syringe of FIG. 19;

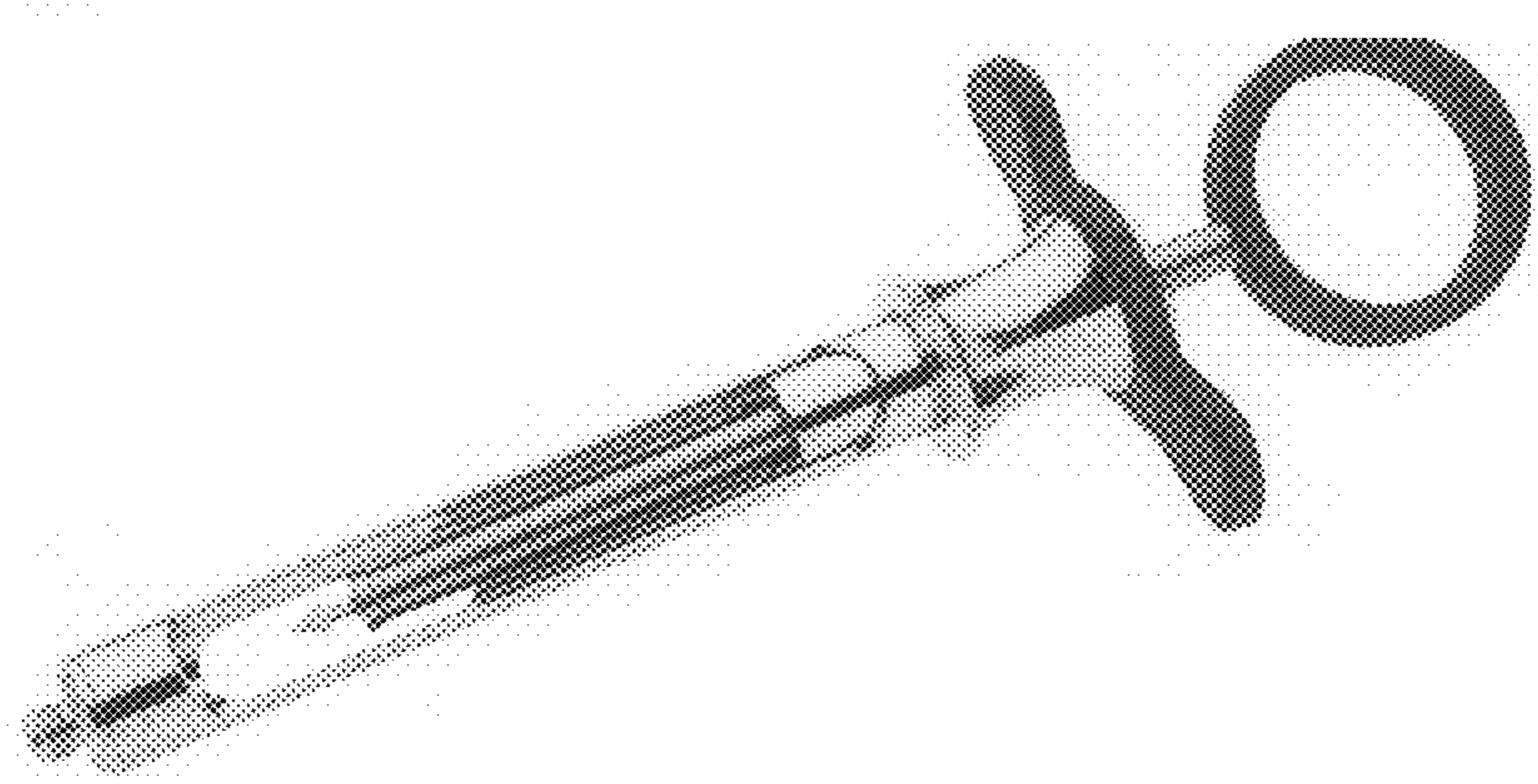
FIG. 22 is a rear elevation view of the syringe of FIG. 19;

FIG. 23 is a top plan view of the syringe of FIG. 19; and,

FIG. 24 is a bottom plan view of the syringe of FIG. 19.

The opposing side elevation views for each of the four depicted embodiments are the mirror image of FIGS. 2, 8, 14, and 20 respectively.

1 Claim, 8 Drawing Sheets



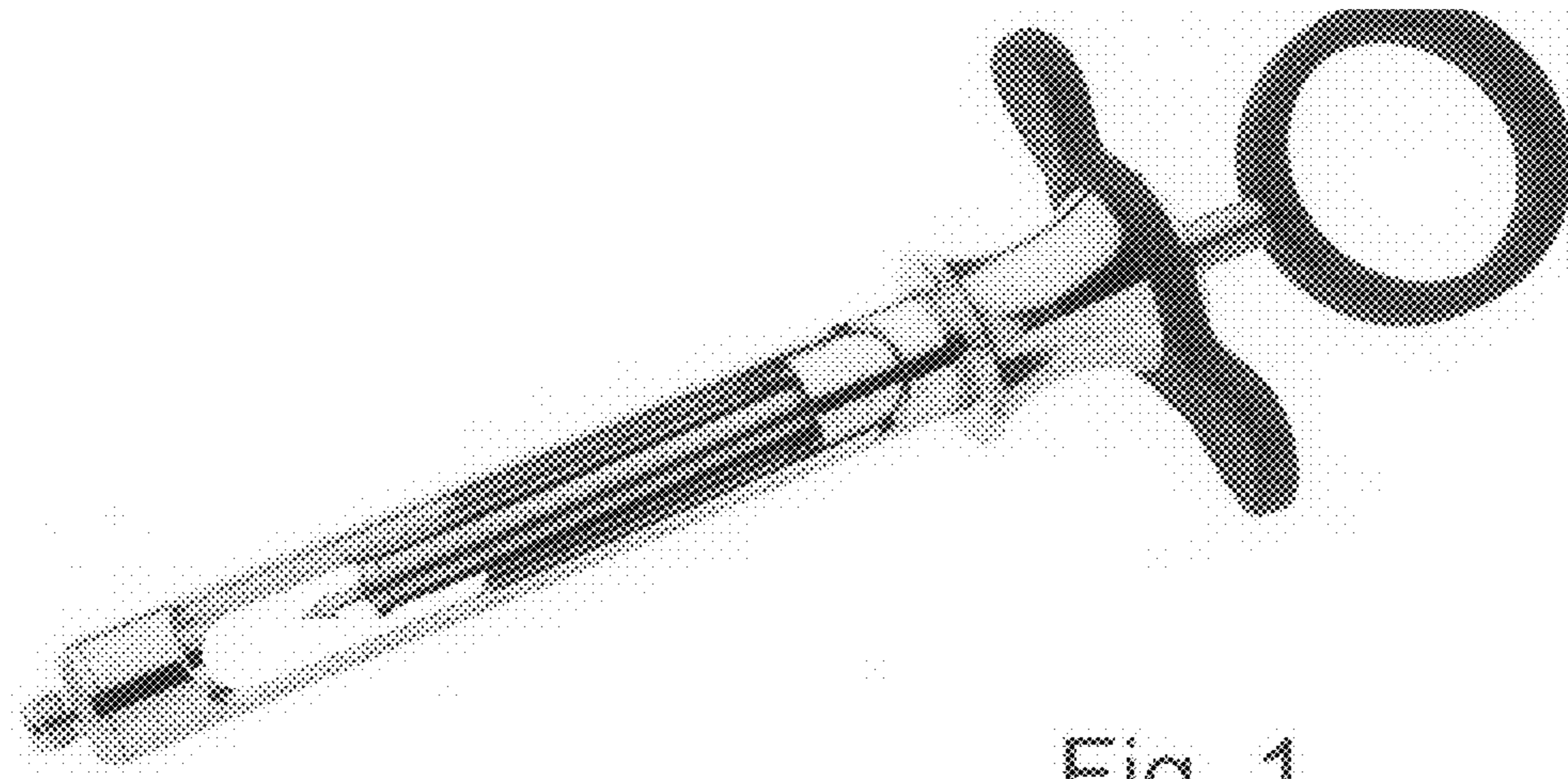


Fig. 1.

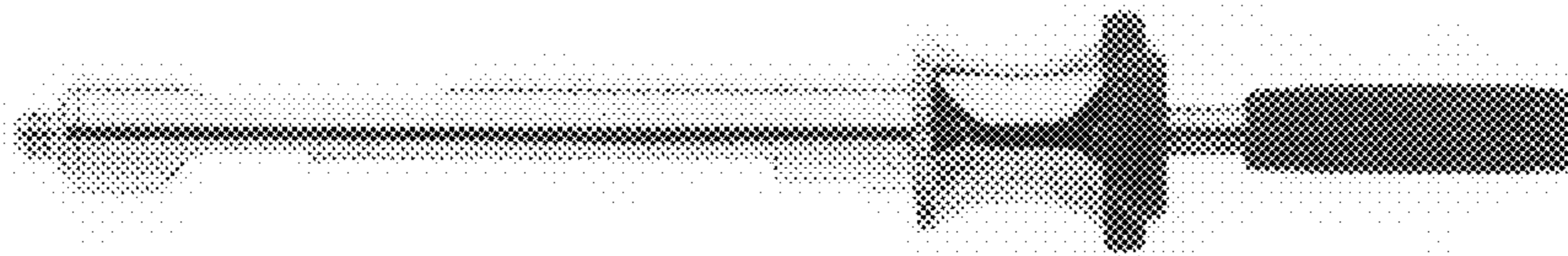


Fig. 2.

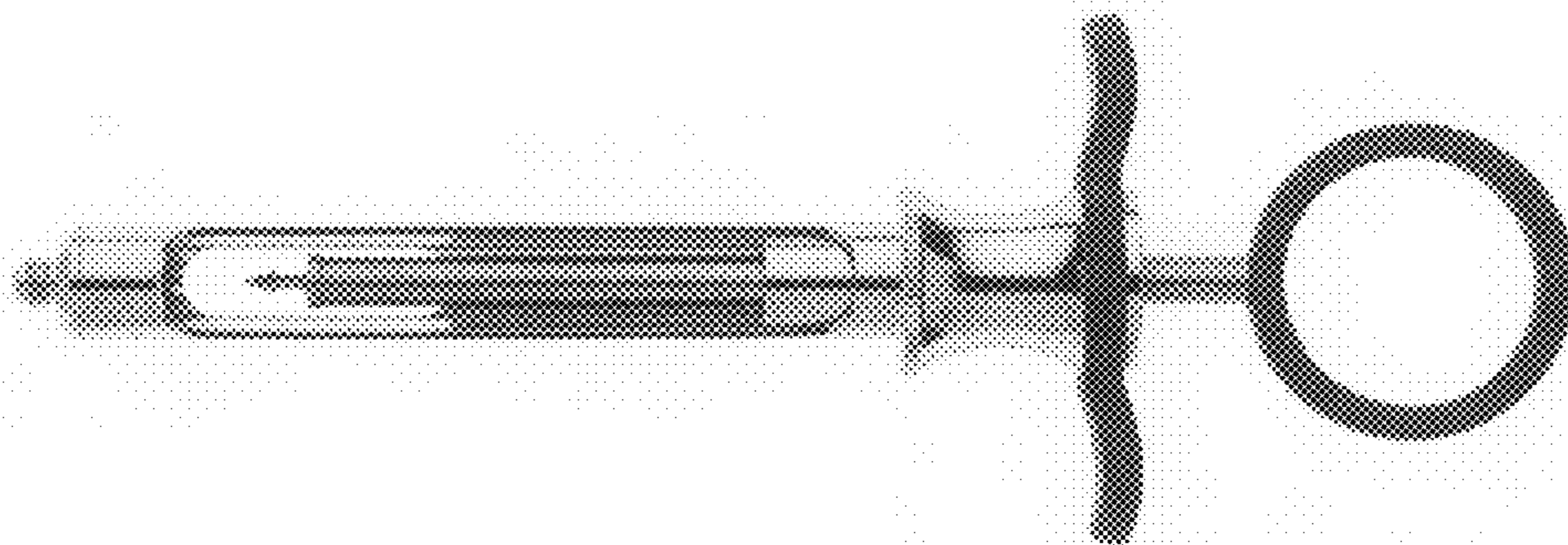


Fig. 3.

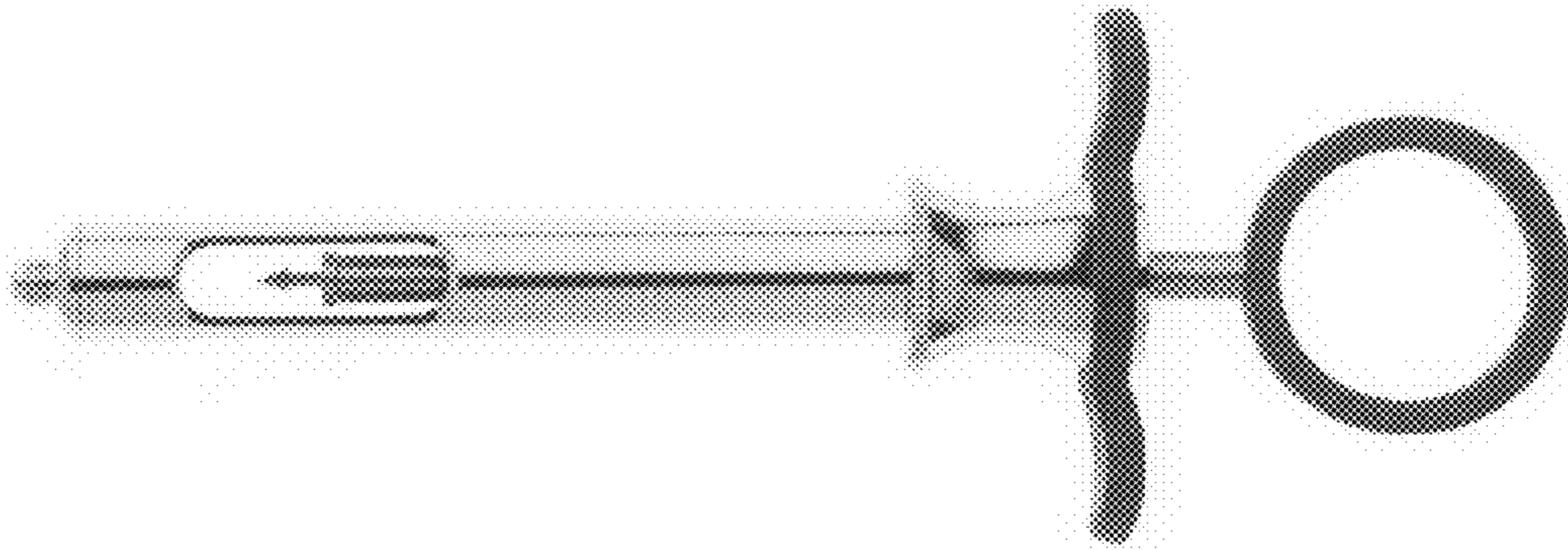


Fig. 4.

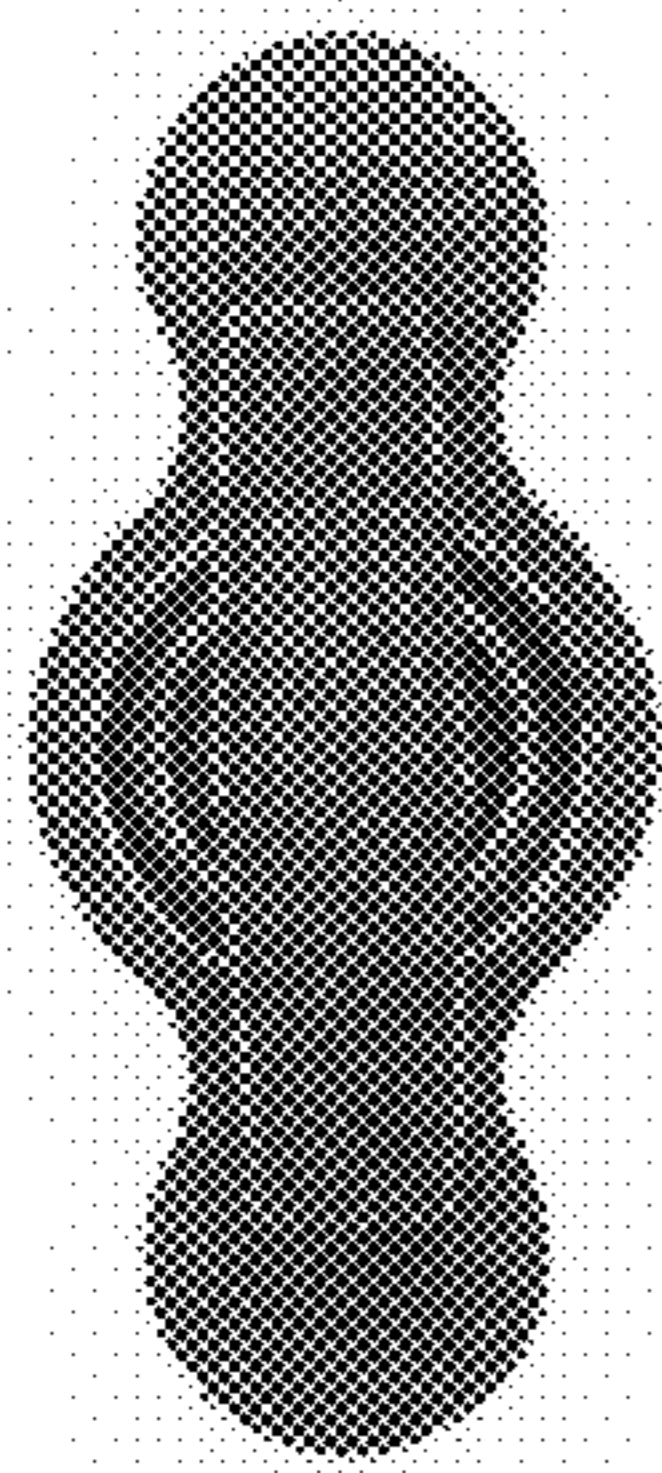


Fig. 5.

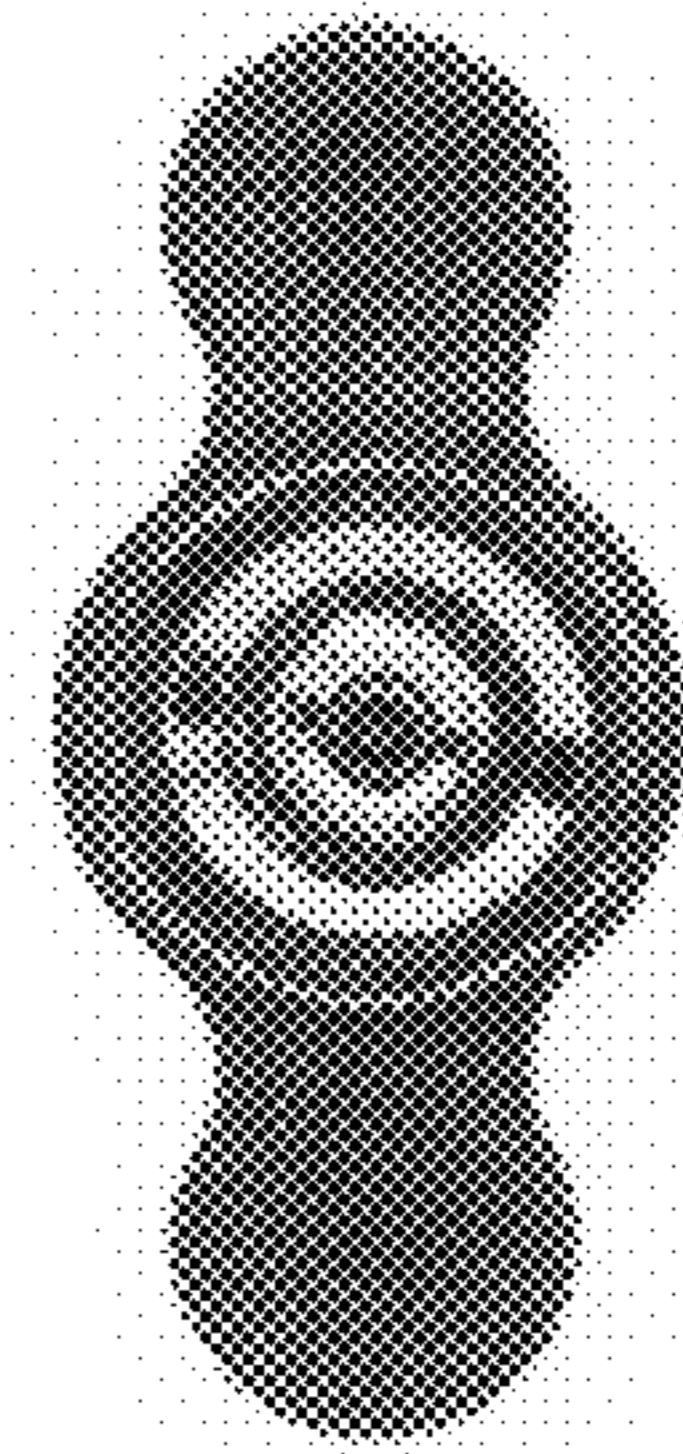


Fig. 6.

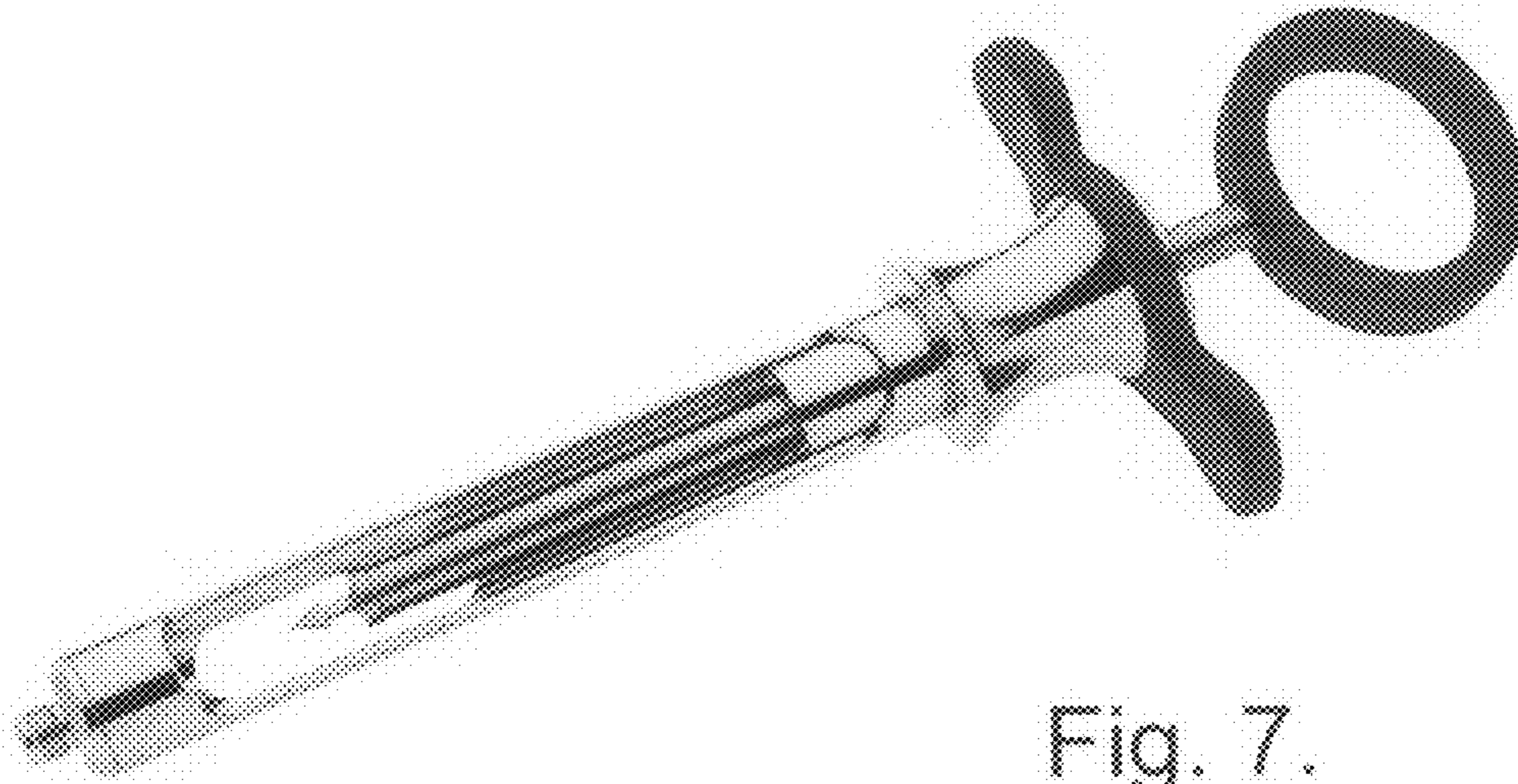


Fig. 7.

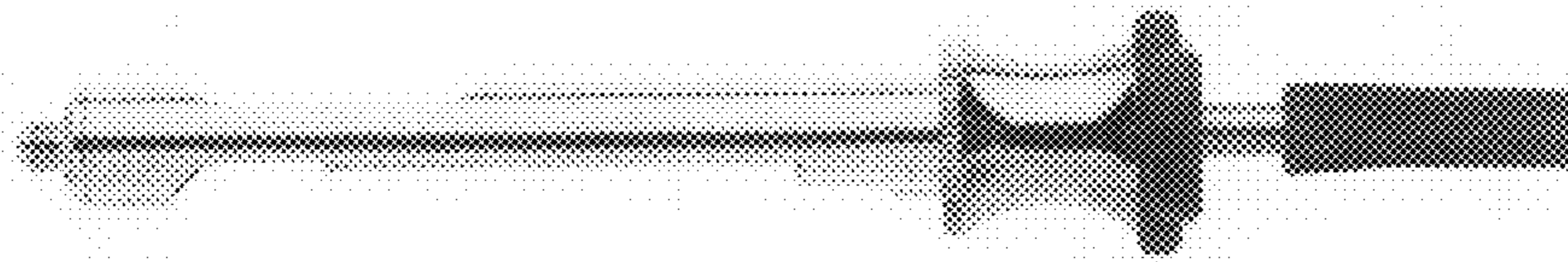


Fig. 8.

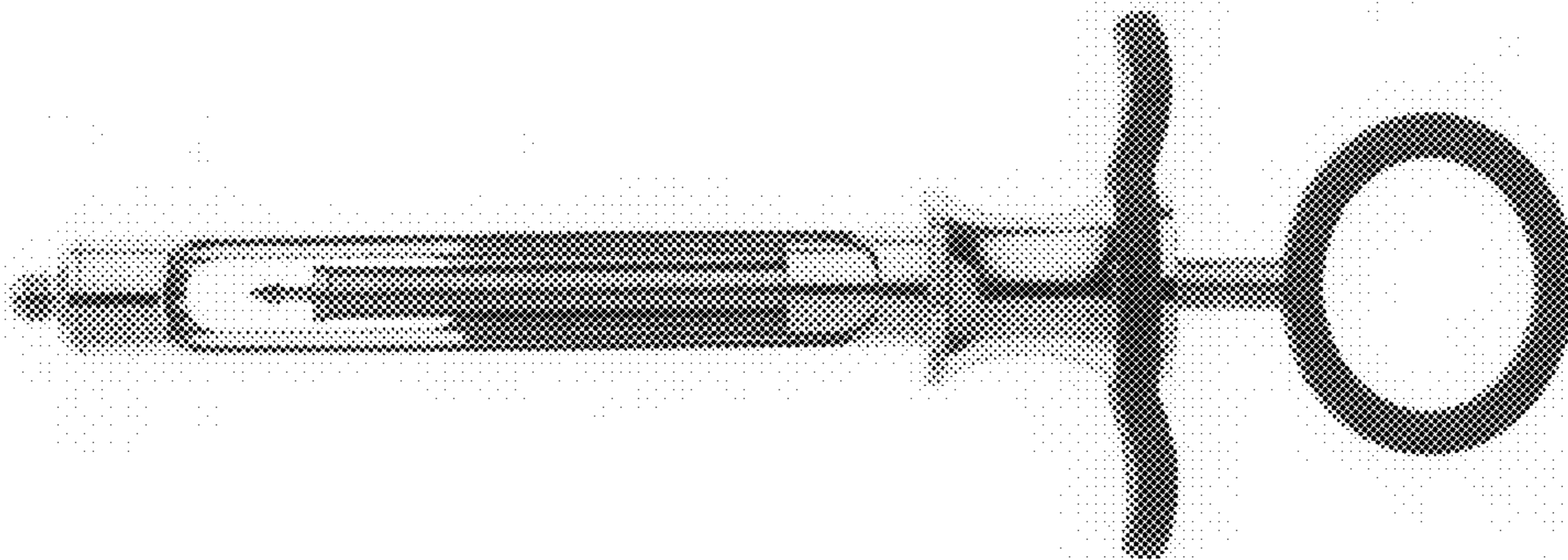


Fig. 9.

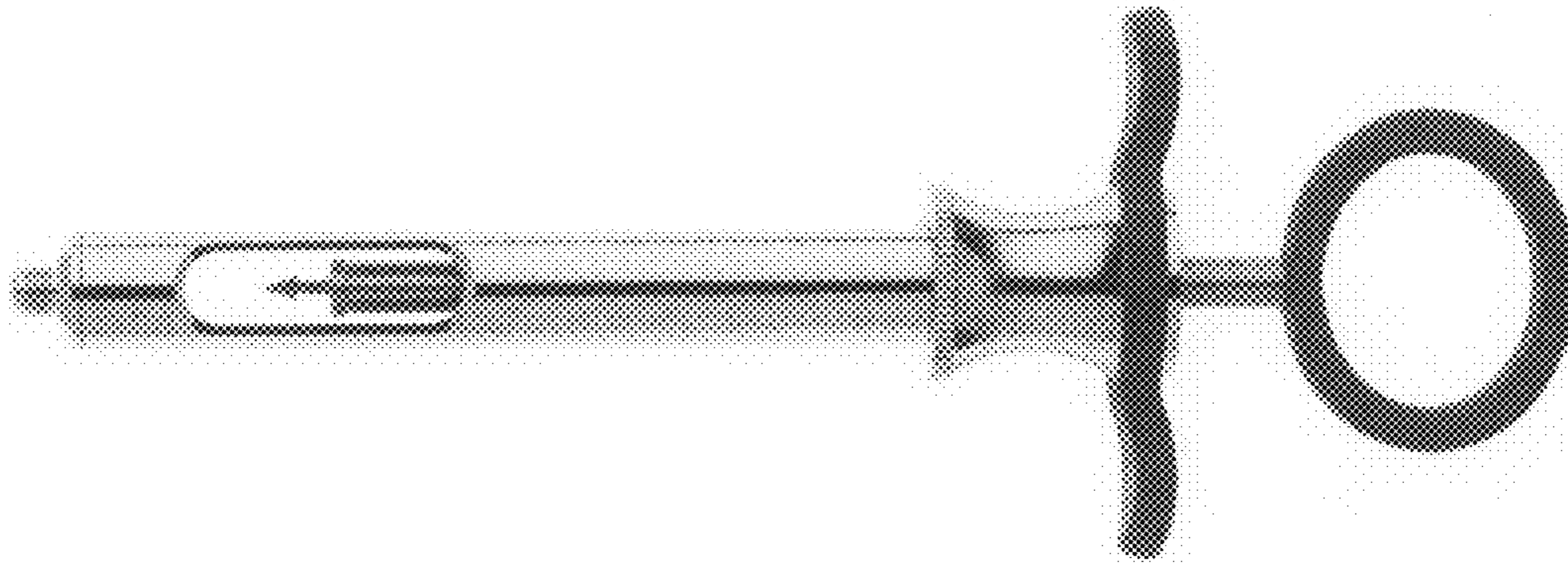


Fig. 10.

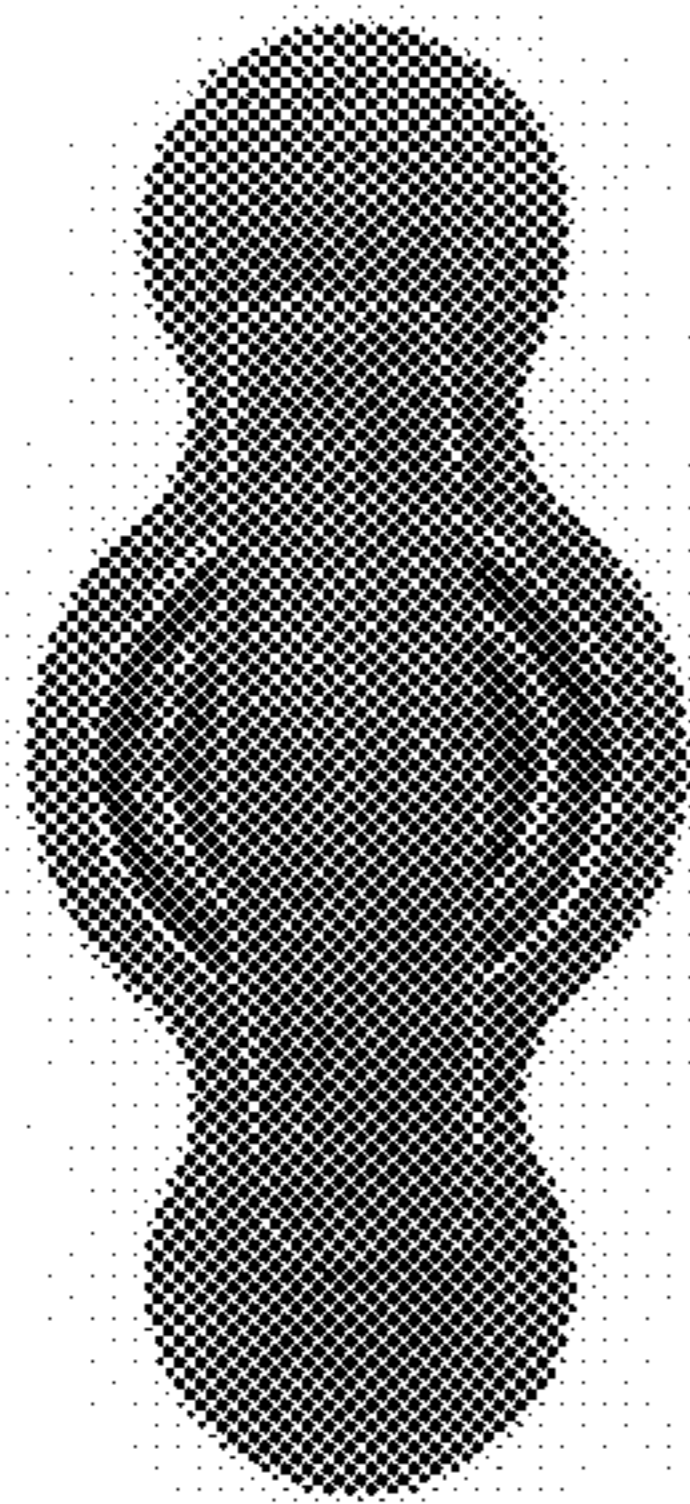


Fig. 11.

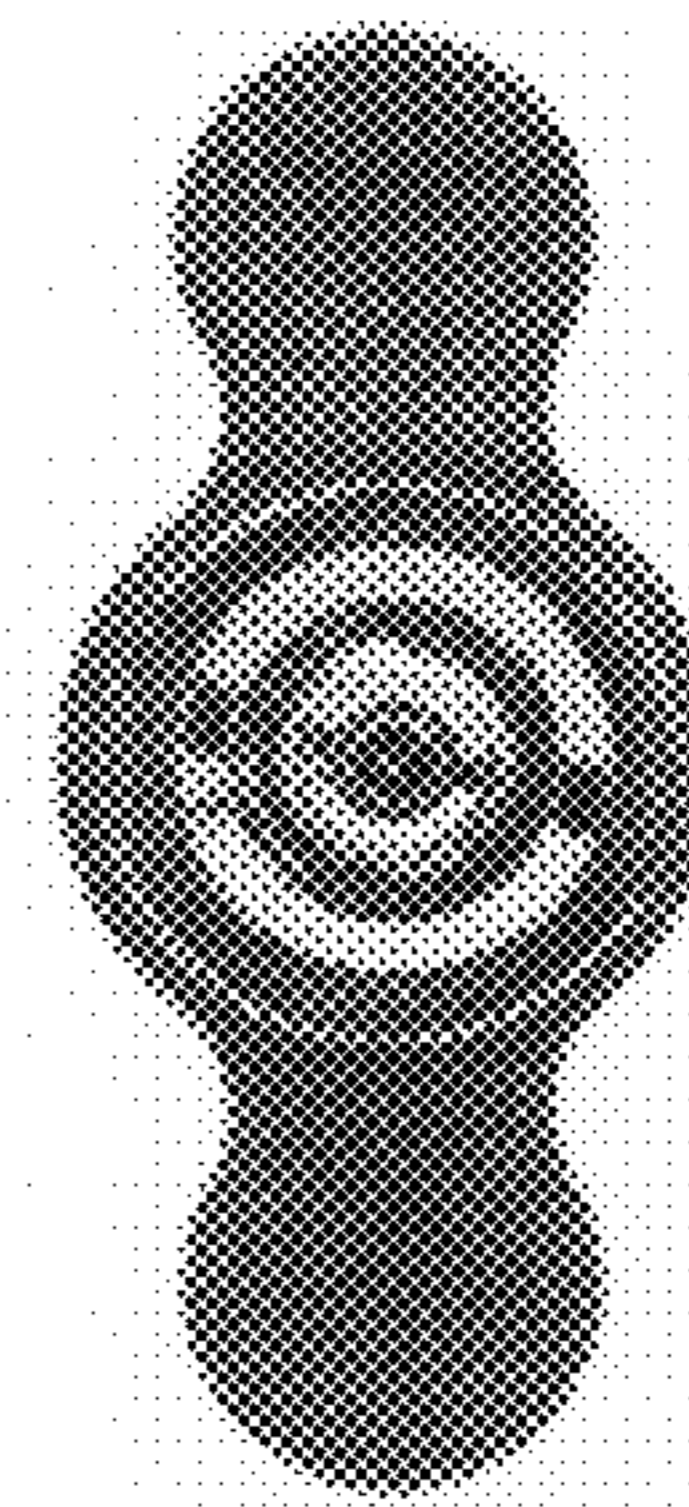


Fig. 12.

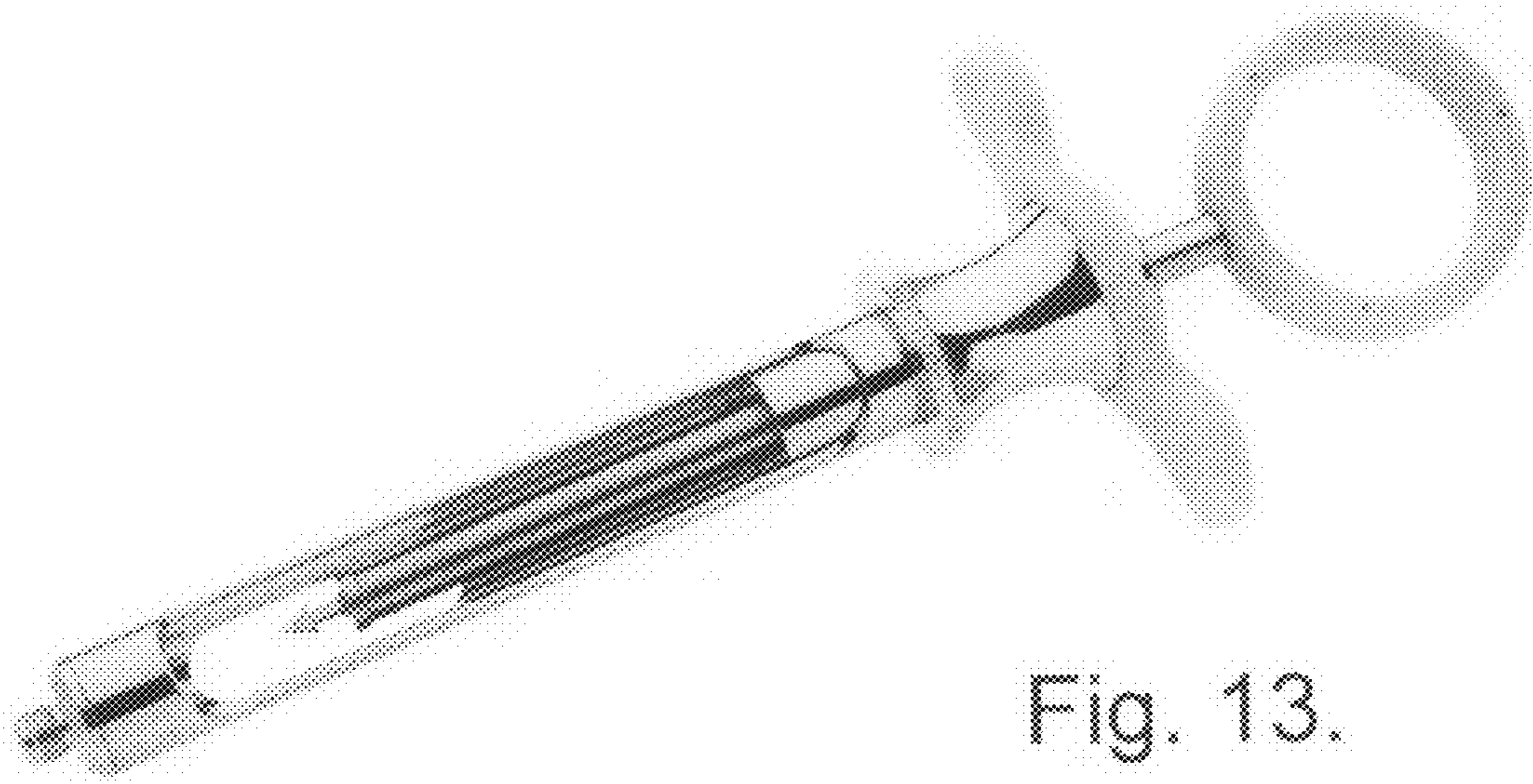


Fig. 13.

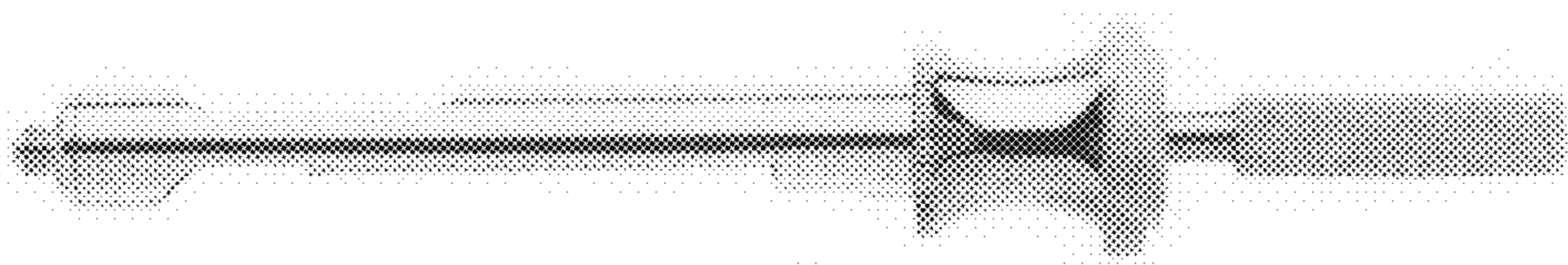


Fig. 14.

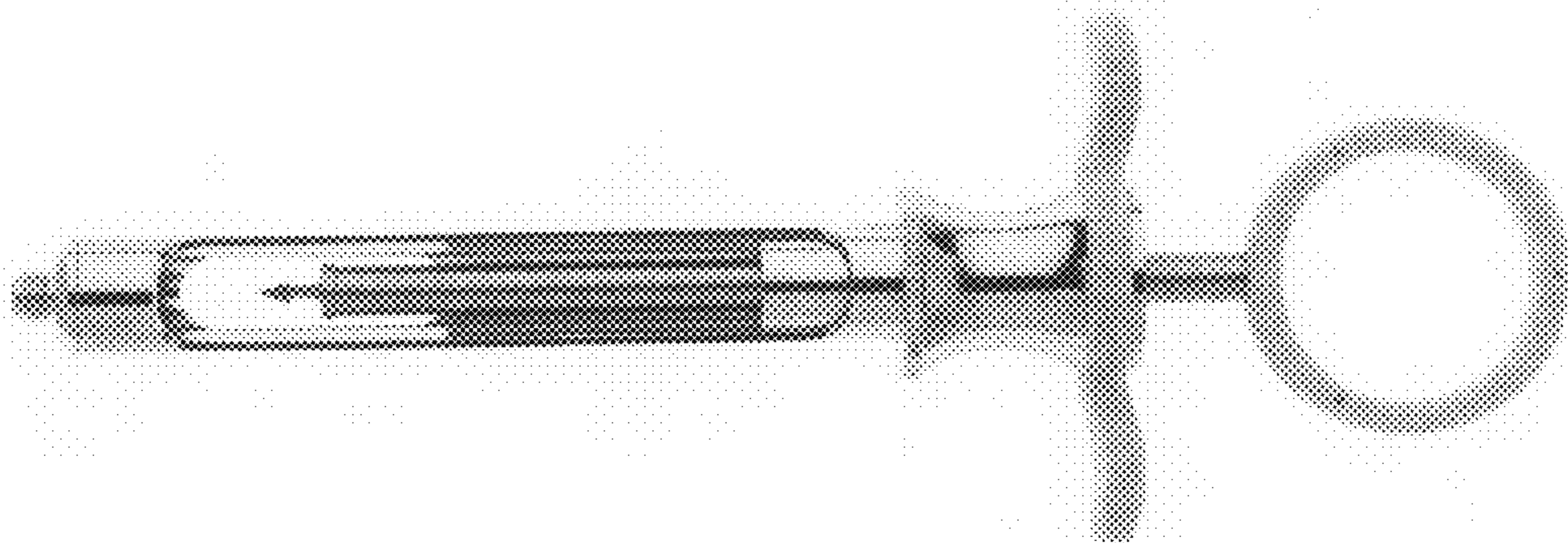


Fig. 15.

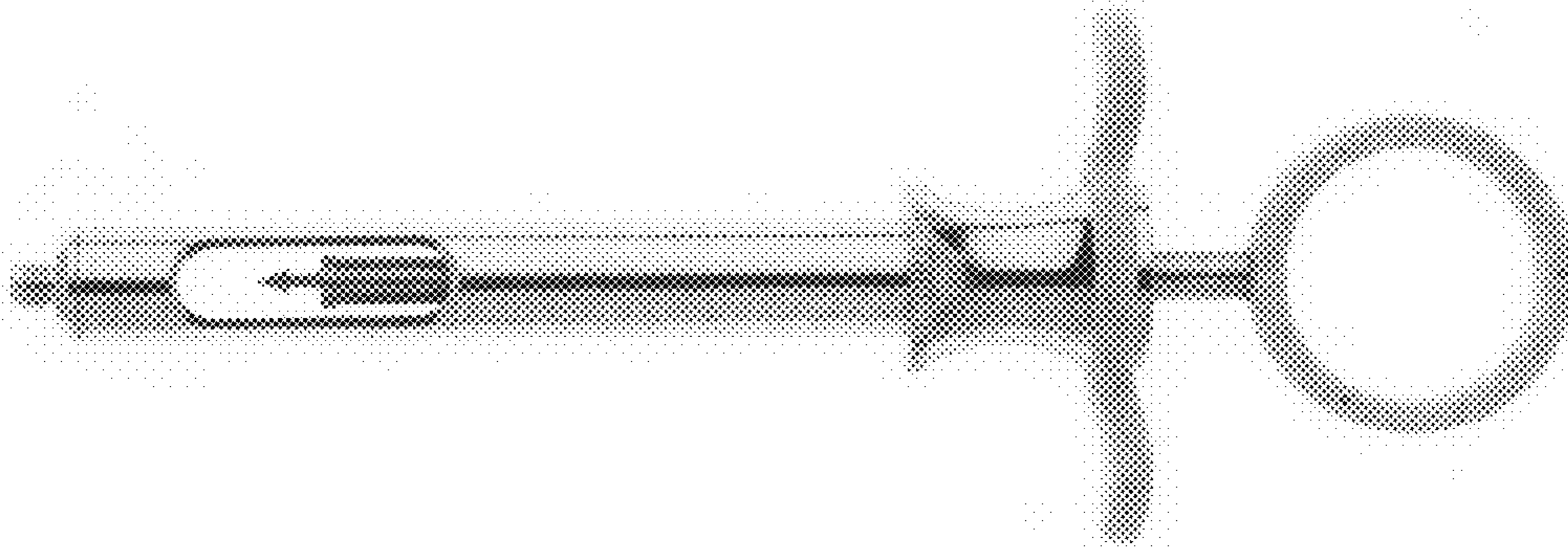


Fig. 16.

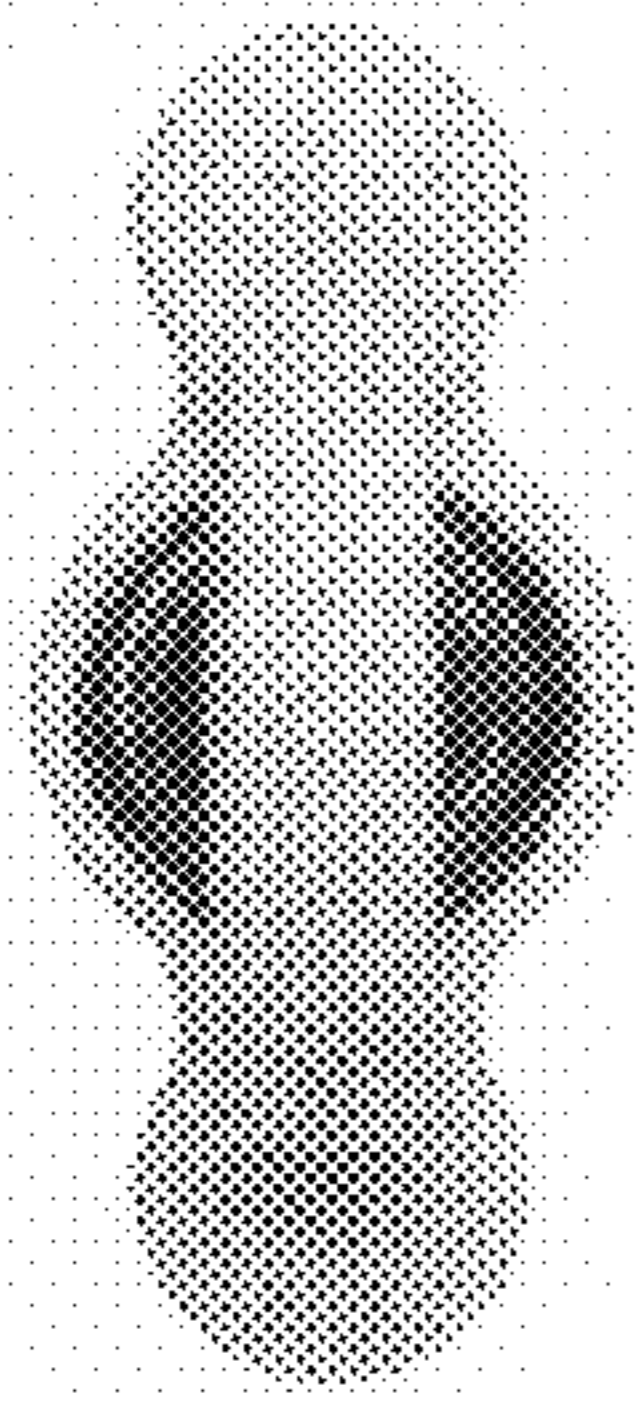


Fig. 17.

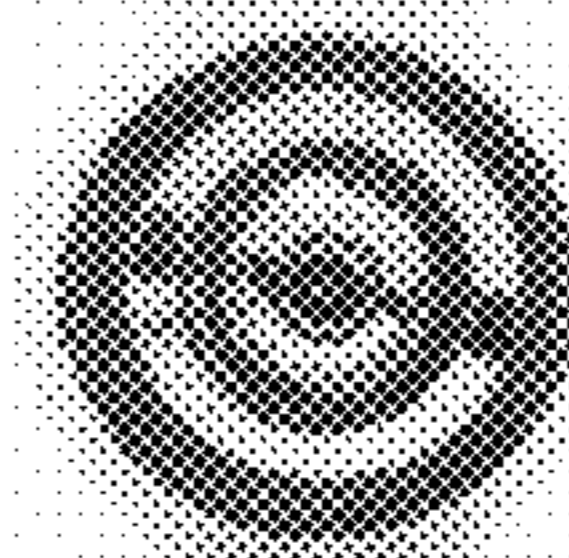


Fig. 18.

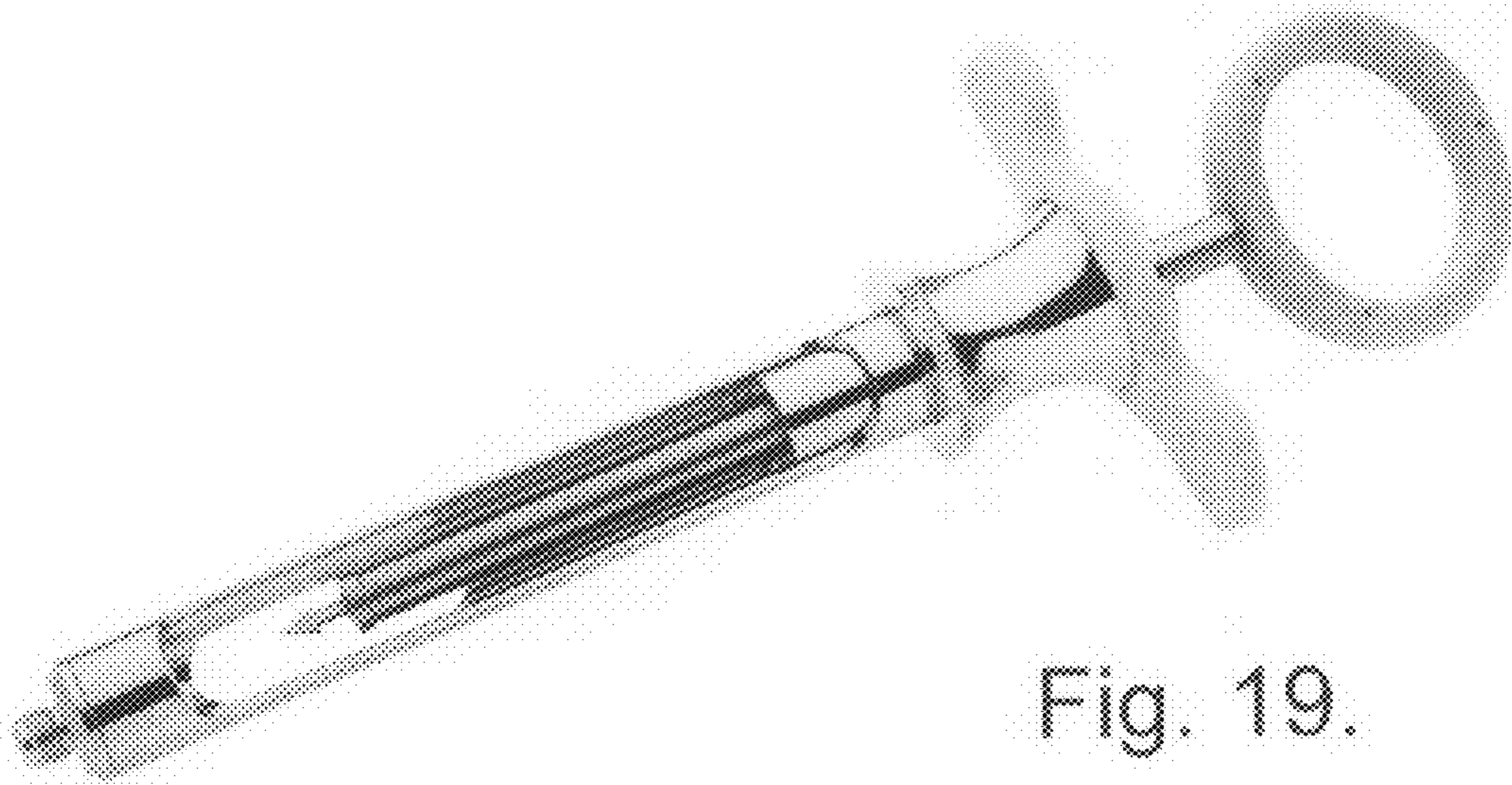


Fig. 19.

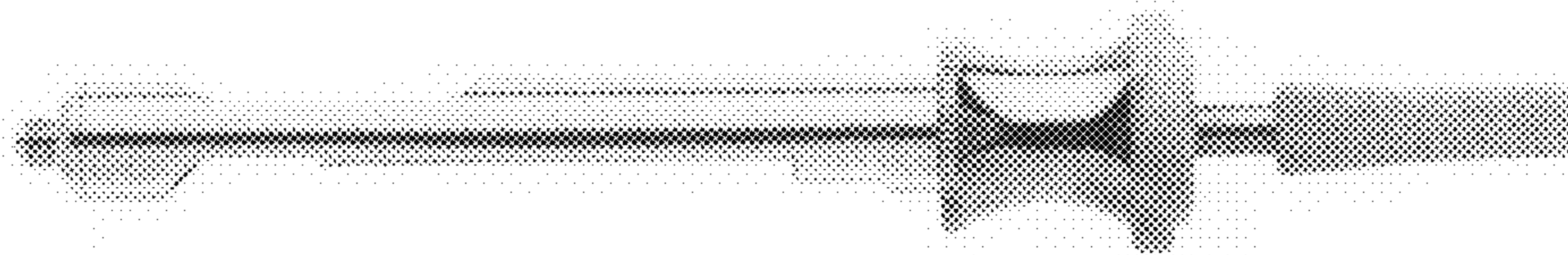


Fig. 20.

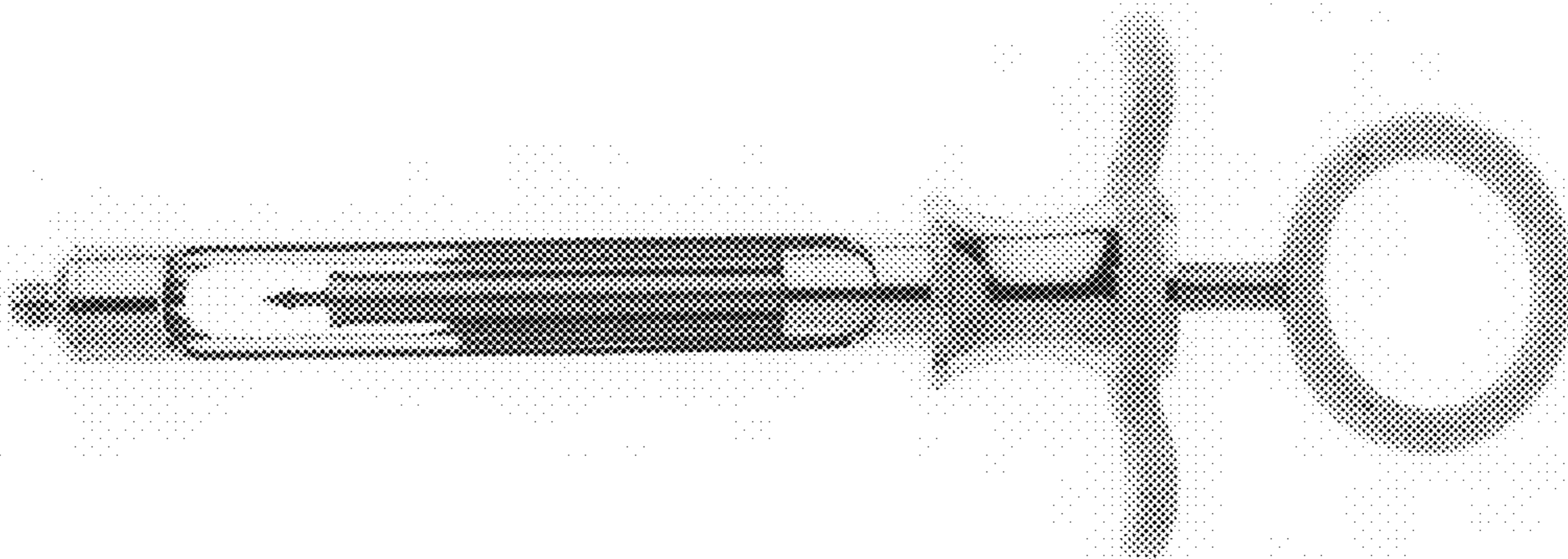


Fig. 21.

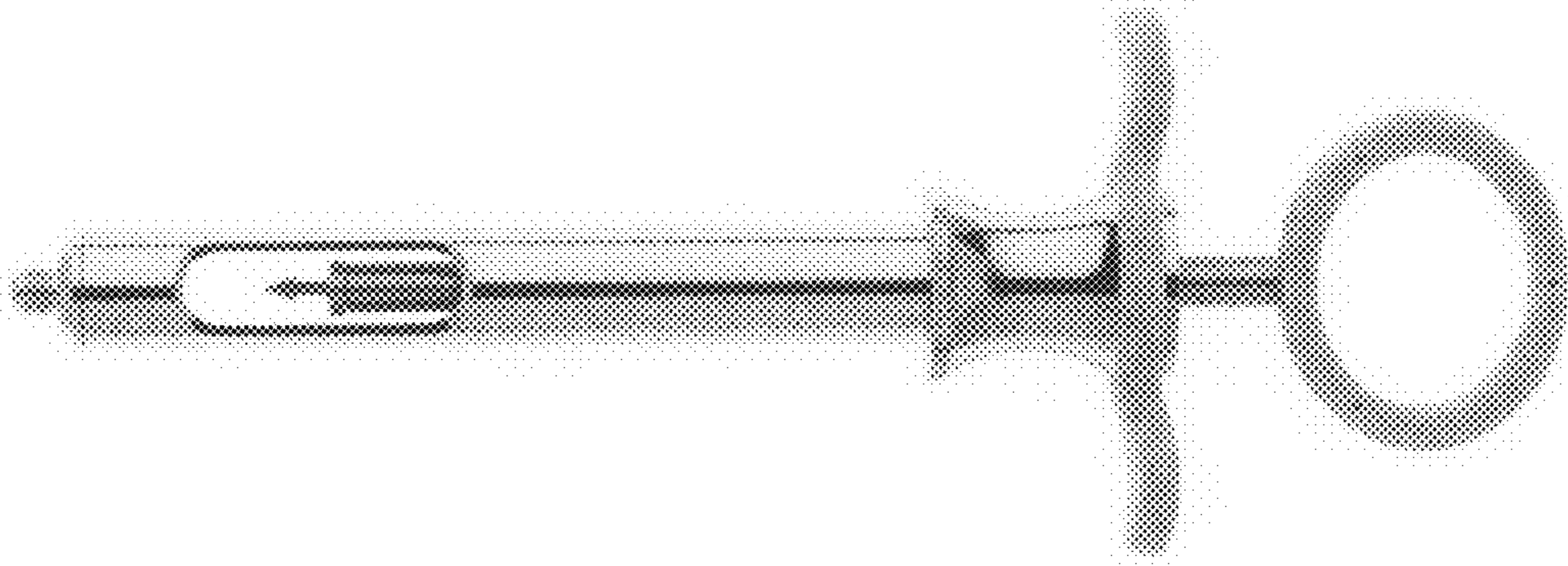


Fig. 22.

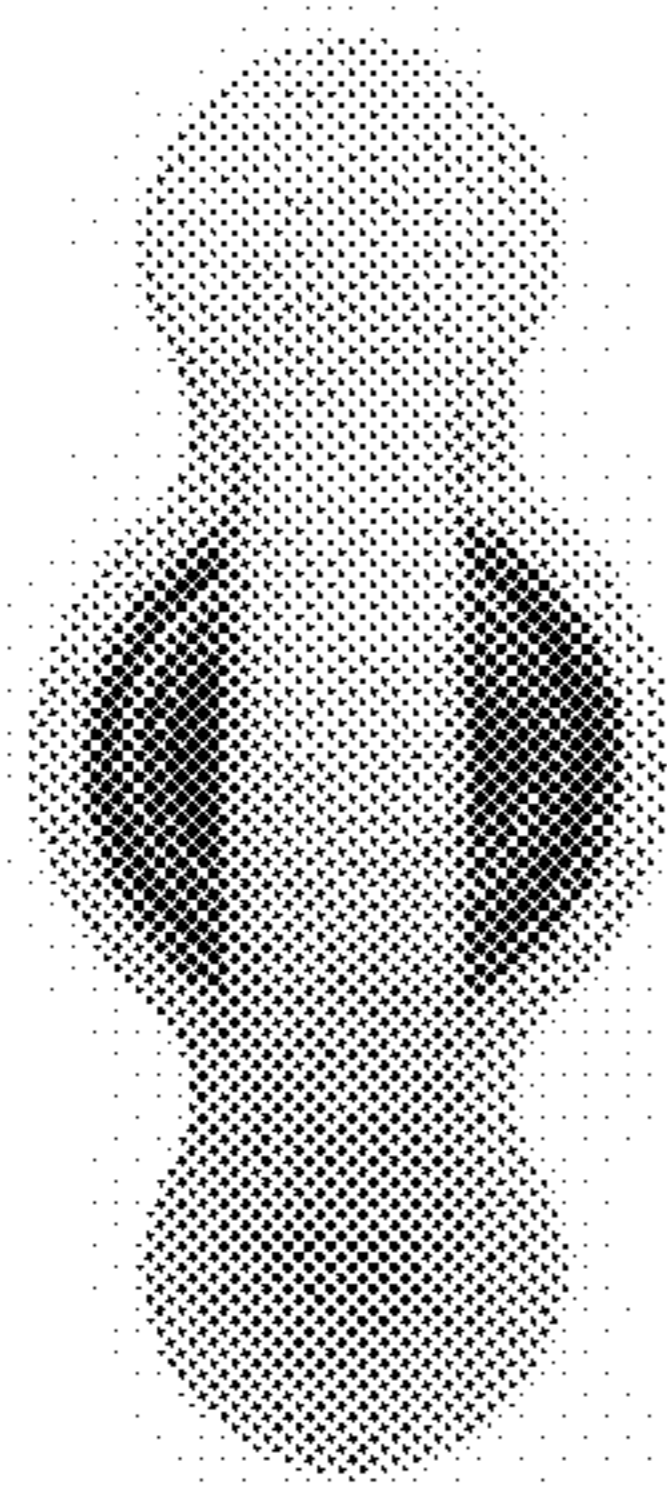


Fig. 23.

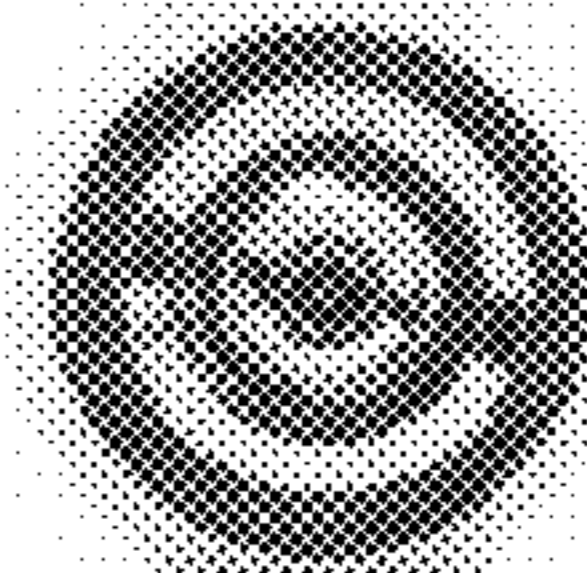


Fig. 24.