



US00D608882S

(12) **United States Design Patent**
Hitchcock et al.

(10) **Patent No.:** **US D608,882 S**
(45) **Date of Patent:** **** Jan. 26, 2010**

(54) **TUBE RETAINER**

(75) Inventors: **Robin G. Hitchcock**, North Parramatta (AU); **Lee James Veliss**, West Ryde (AU); **Richard Sokolov**, Earlwood (AU); **Donald Darkin**, Dural (AU); **Rachael Elizabeth Moore**, North Bondi (AU)

(73) Assignee: **ResMed Limited**, Bella Vista (AU)

(**) Term: **14 Years**

(21) Appl. No.: **29/265,319**

(22) Filed: **Aug. 30, 2006**

Related U.S. Application Data

(62) Division of application No. 29/213,882, filed on May 28, 2004, now Pat. No. Des. 542,912.

(51) **LOC (9) Cl.** **29-02**

(52) **U.S. Cl.** **D24/110; D24/110.5**

(58) **Field of Classification Search** D24/110, D24/110.2-110.5, 127, 128; D29/100; 2/170, 2/338; 128/201.11, 201.27; 606/203; 604/179; D8/367

See application file for complete search history.

(56) **References Cited**

U.S. PATENT DOCUMENTS

2,763,263	A	9/1956	Ellman	
3,086,529	A *	4/1963	Munz et al.	606/203
3,513,844	A	5/1970	Smith	
D237,220	S *	10/1975	Stackhouse	D24/110.3
4,782,832	A	11/1988	Trimble et al.	
D383,204	S *	9/1997	Lomas	D24/110
6,119,694	A	9/2000	Correa et al.	
6,318,363	B1 *	11/2001	Monnich	128/201.11
6,431,172	B1	8/2002	Bordewick	
6,595,215	B2	7/2003	Wood	

6,889,689	B1 *	5/2005	Neuman	128/201.22
6,907,882	B2	6/2005	Ging et al.	
2001/0049505	A1 *	12/2001	Byrd	604/180

OTHER PUBLICATIONS

U.S. Appl. No. 29/213,882, filed May 2004, Gunaratnam et al.
InnoMed Technologies, "Nasal-Pap Freestyle™" Brochure, 2004, 2 pages.
InnoMed Technologies, "Nasal Aire™" Brochure 2003, 1 page.
Viasys Healthcare, "LYRA Nasal CPAP Interface" Brochure, 2004, 2 pages.

* cited by examiner

Primary Examiner—Ian Simmons

Assistant Examiner—Christopher Lee

(74) *Attorney, Agent, or Firm*—Nixon & Vanderhye P.C.

(57) **CLAIM**

The ornamental design of a tube retainer, as shown and described.

DESCRIPTION

FIG. 1 is a perspective view illustrating a tube retainer for a respiratory mask according to our design;

FIG. 2 is a front view thereof;

FIG. 3 is a rear view thereof;

FIG. 4 is a left side view thereof;

FIG. 5 is a right side view thereof;

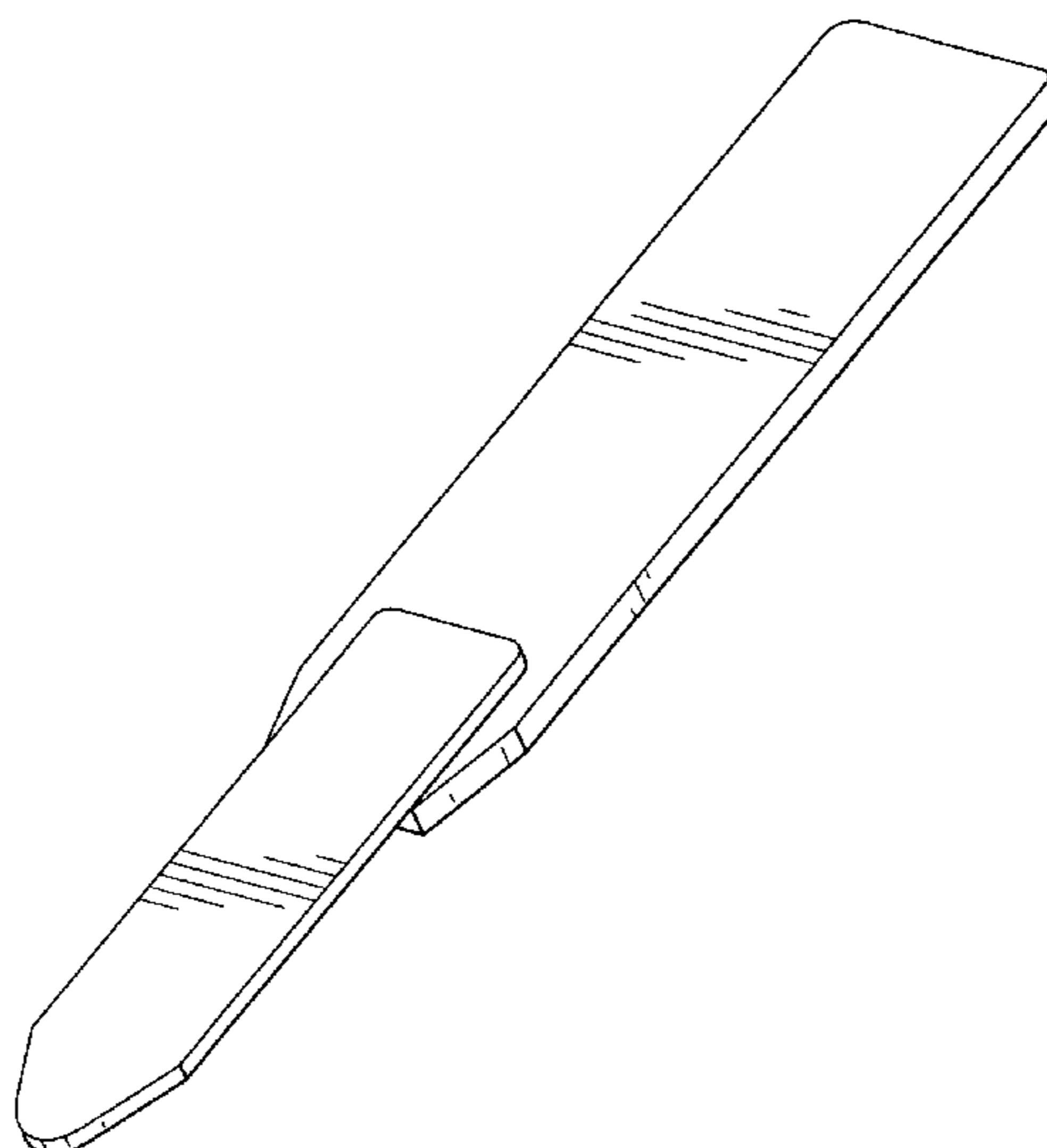
FIG. 6 is a top view thereof;

FIG. 7 is a bottom view thereof; and,

FIG. 8 is a perspective view thereof showing the tube retainer in use.

The broken lines showing the books and loops of the tube retainer, environment or structure are for illustrative purposes only and form no part of the claimed design.

1 Claim, 2 Drawing Sheets



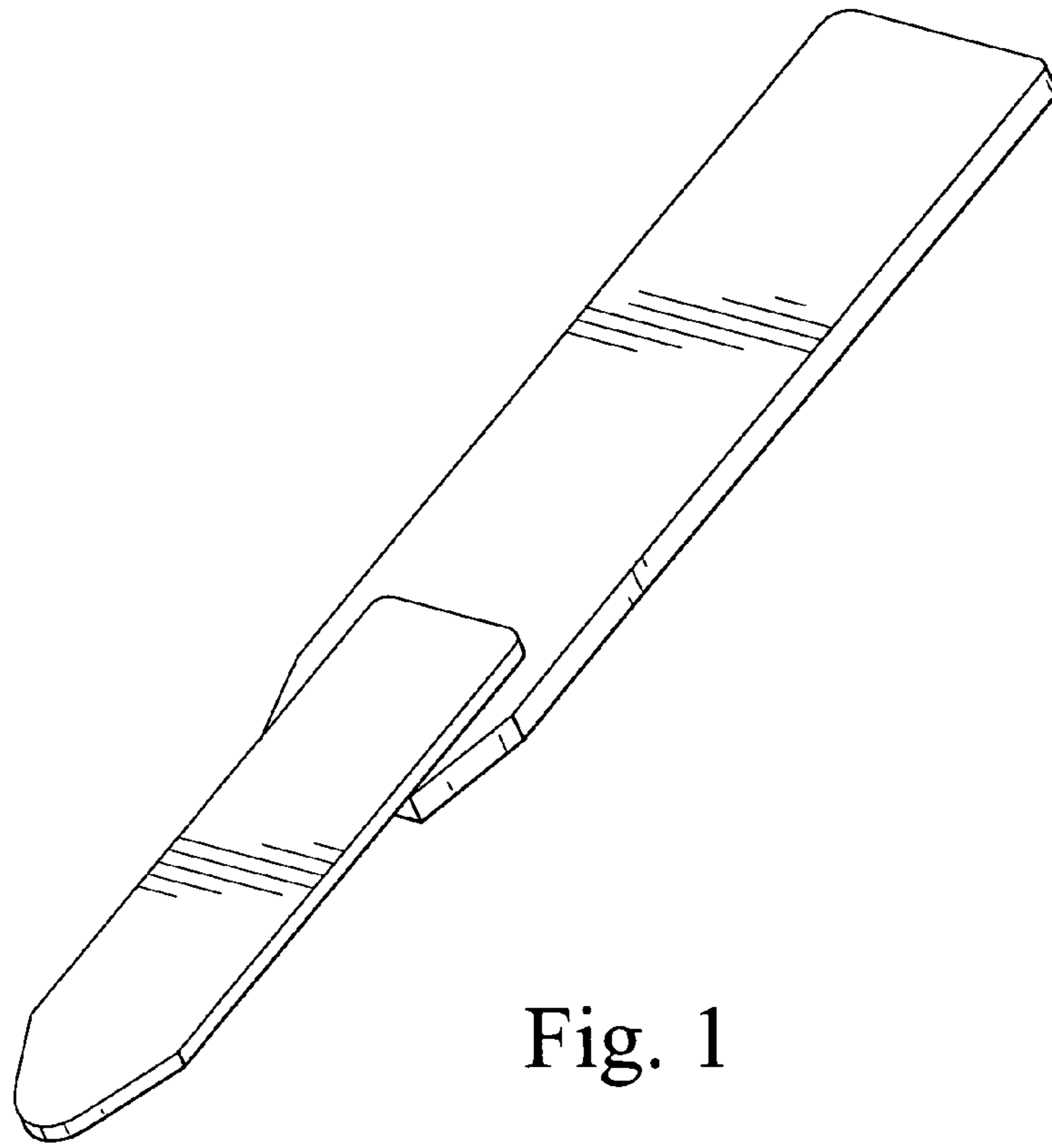


Fig. 1

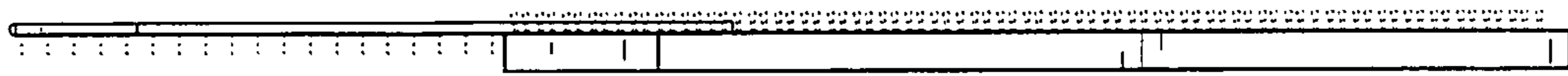


Fig. 2

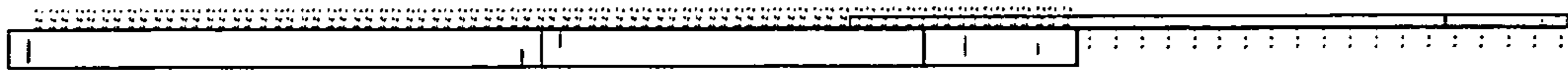


Fig. 3

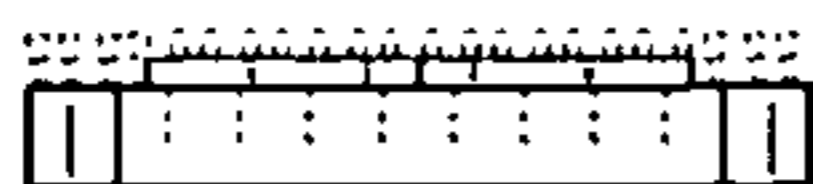


Fig. 4

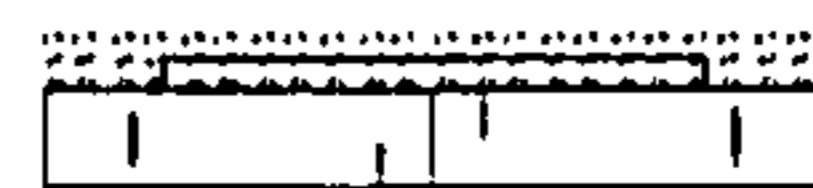


Fig. 5

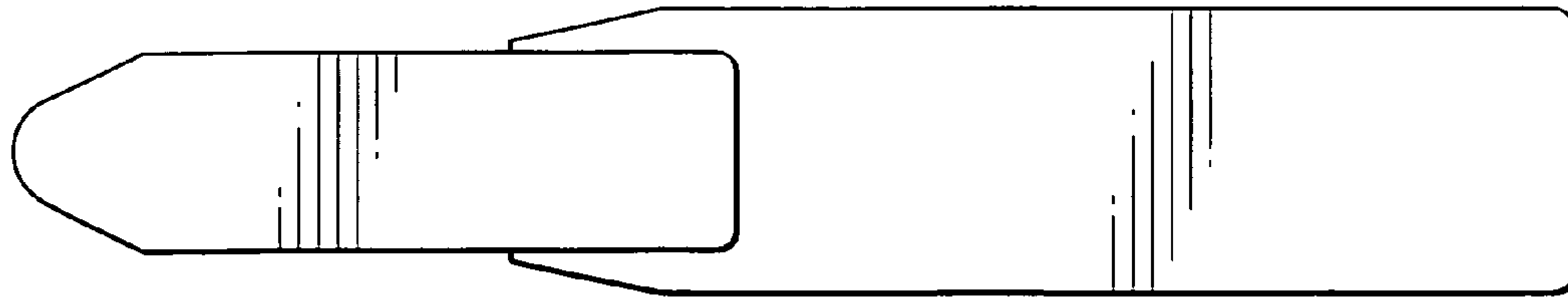


Fig. 6

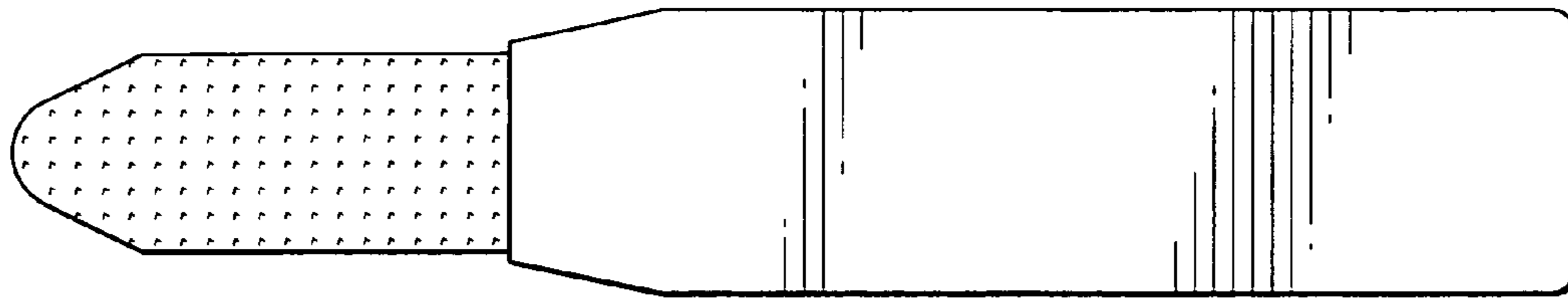


Fig. 7

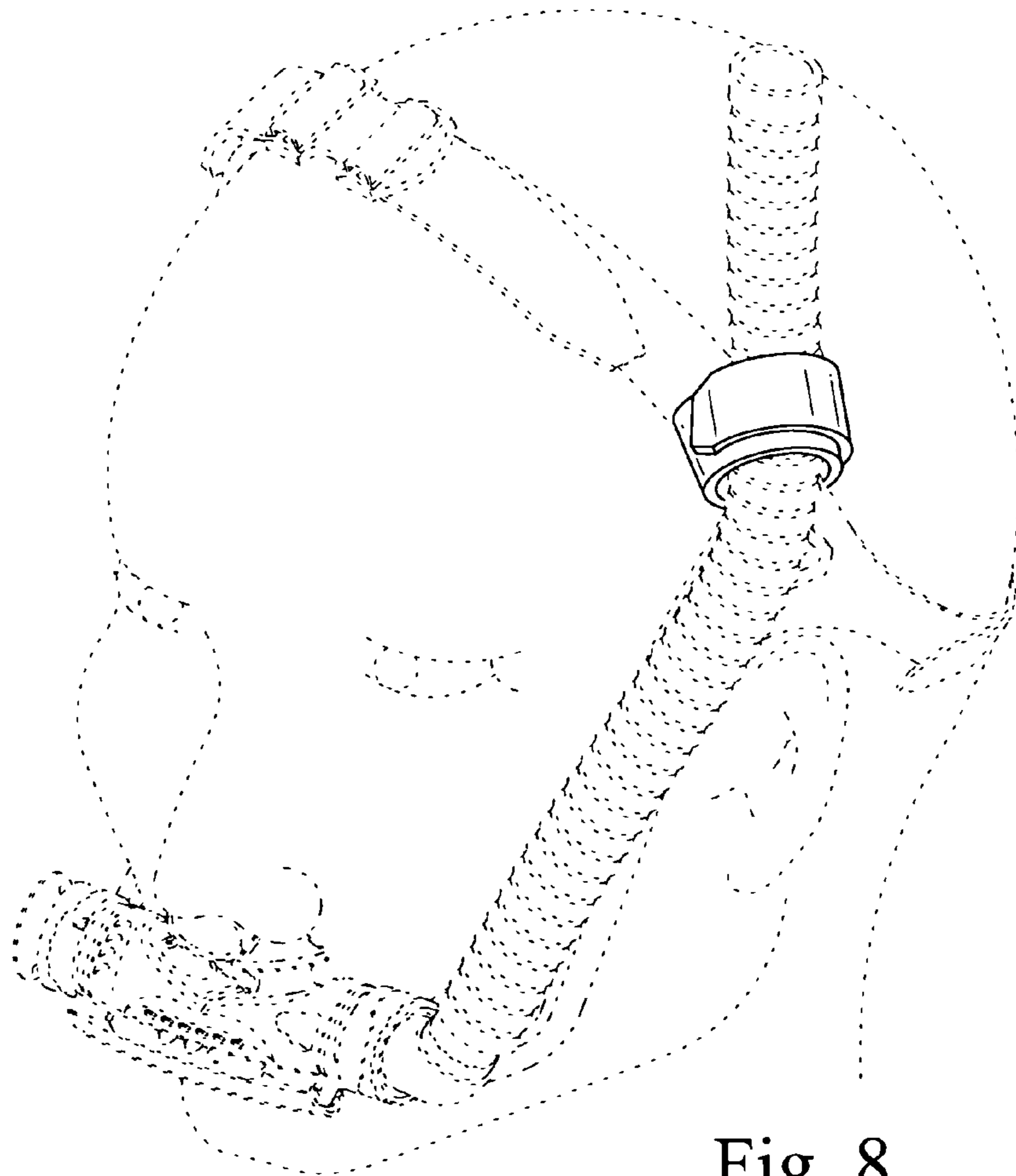


Fig. 8