



US00D608881S

(12) **United States Design Patent**
Ramstad et al.

(10) **Patent No.:** **US D608,881 S**
(45) **Date of Patent:** **** *Jan. 26, 2010**

(54) **DISPOSABLE TIP**

(75) Inventors: **Paul O. Ramstad**, San Jose, CA (US);
Donna S. Levy, Los Gatos, CA (US);
Alexis A. Mataban, Pleasanton, CA
(US); **Stephen Derek Smithson**,
Redwood City, CA (US); **Daniel K.**
Childs, Chicago, IL (US); **Matthew**
William Tivnon, Ladera Ranch, CA
(US)

6,942,658	B1 *	9/2005	Rizoiu et al.	606/16
7,022,121	B2 *	4/2006	Stern et al.	606/41
7,232,450	B2 *	6/2007	Gorans et al.	606/164
7,270,657	B2 *	9/2007	Rizoiu et al.	606/16
7,384,419	B2 *	6/2008	Jones et al.	606/16
D581,050	S *	11/2008	Cottier	D24/133
2002/0081080	A1	6/2002	Balle-Petersen et al.	385/93
2004/0030325	A1 *	2/2004	Cahir et al.	606/9
2006/0095096	A1	5/2006	DeBenedictis et al.	607/88
2008/0119830	A1 *	5/2008	Ramstad et al.	606/13

(73) Assignee: **Lumenis Ltd.**, Yokneam (IL)

(*) Notice: This patent is subject to a terminal disclaimer.

(**) Term: **14 Years**

(21) Appl. No.: **29/267,974**

(22) Filed: **Oct. 26, 2006**

(51) **LOC (9) Cl.** **24-01**

(52) **U.S. Cl.** **D24/108**

(58) **Field of Classification Search** D24/133,
D24/108, 137-138, 112, 122; D15/7; 606/1,
606/2, 9, 10, 11, 13, 131, 31, 16; 604/35,
604/39-40, 131, 275

See application file for complete search history.

(56) **References Cited**

U.S. PATENT DOCUMENTS

5,100,417	A *	3/1992	Cerier et al.	606/139
D443,059	S *	5/2001	Endo	D24/146
D453,829	S *	2/2002	McMahon et al.	D24/108
6,454,763	B1	9/2002	Motter et al.	606/16
6,458,094	B1 *	10/2002	McMahon et al.	604/35

OTHER PUBLICATIONS

International Search Report and the Written Opinion of the International Searching Authority, or the Declaration, for PCT/US2007/023091, mailed on May 12, 2008.

* cited by examiner

Primary Examiner—Ian Simmons

Assistant Examiner—Wan Laymon

(74) *Attorney, Agent, or Firm*—Mintz, Levin, Cohn, Ferris, Glovsky and Popeo, P.C.

(57) **CLAIM**

The ornamental design for a disposable tip, as shown and described.

DESCRIPTION

FIG. 1 is a perspective view of a disposable tip showing our new design;

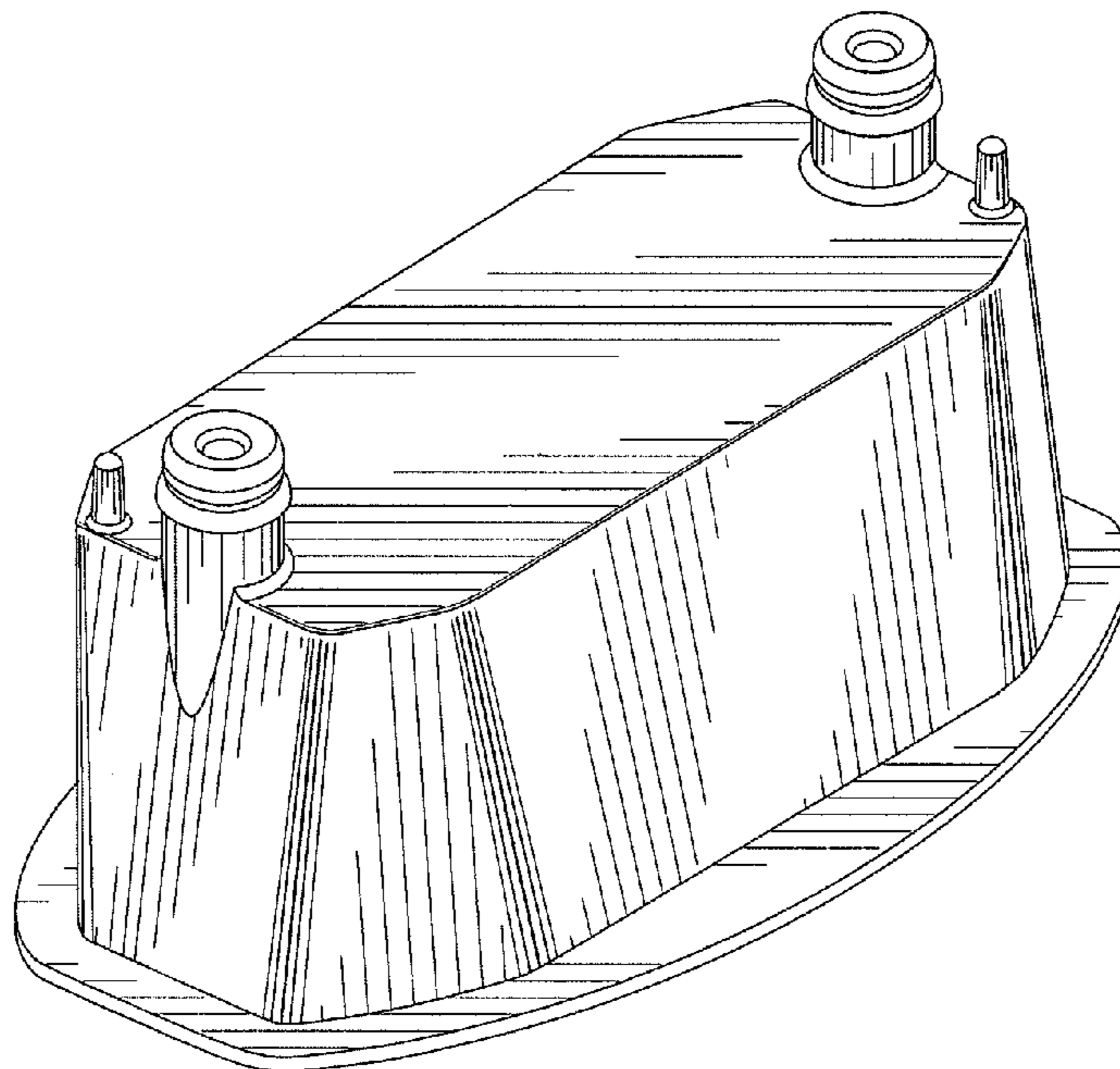
FIG. 2 is a front view thereof;

FIG. 3 is a side view thereof;

FIG. 4 is a bottom view thereof; and,

FIG. 5 is a top view thereof.

1 Claim, 3 Drawing Sheets



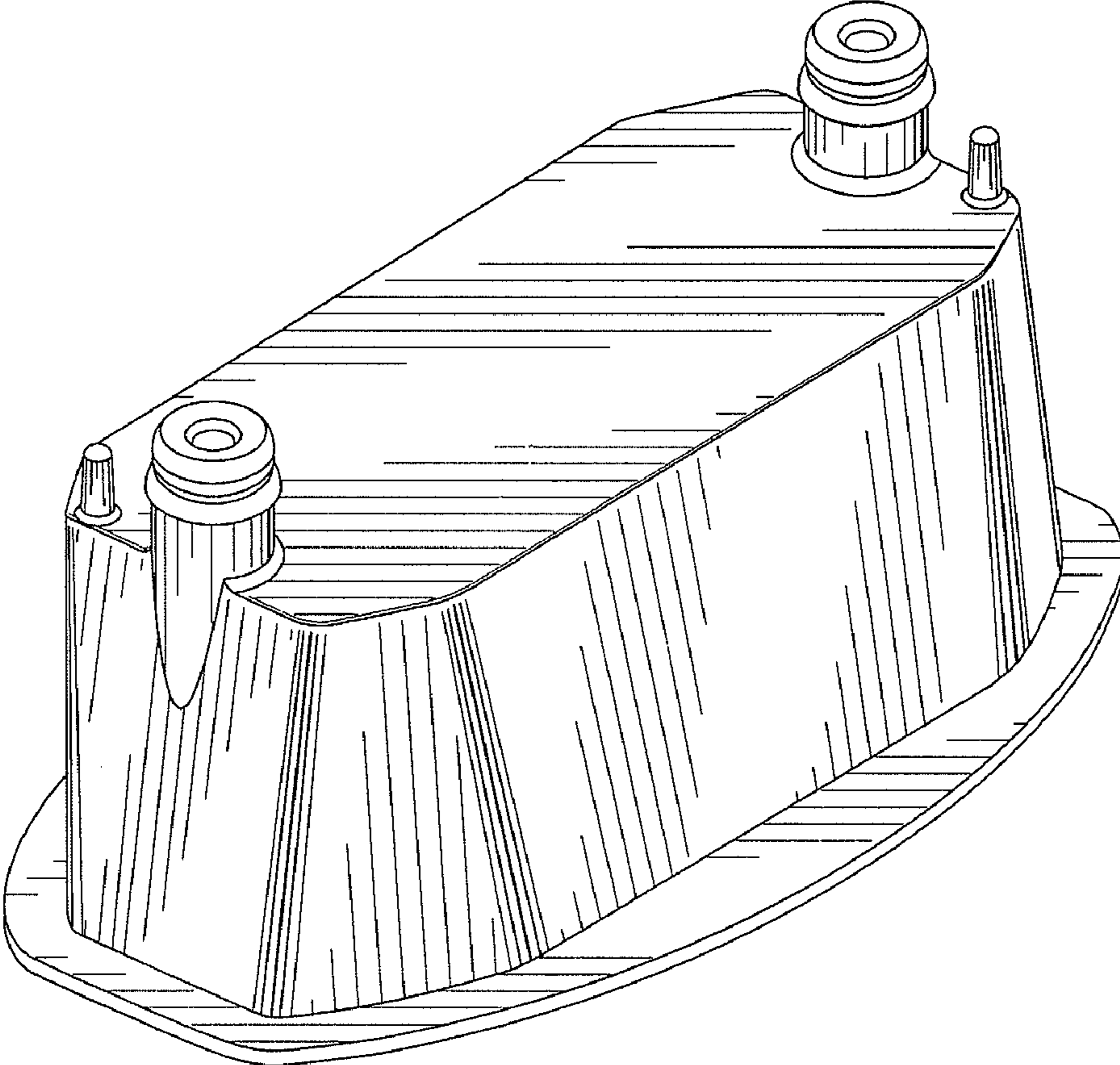


Fig. 1

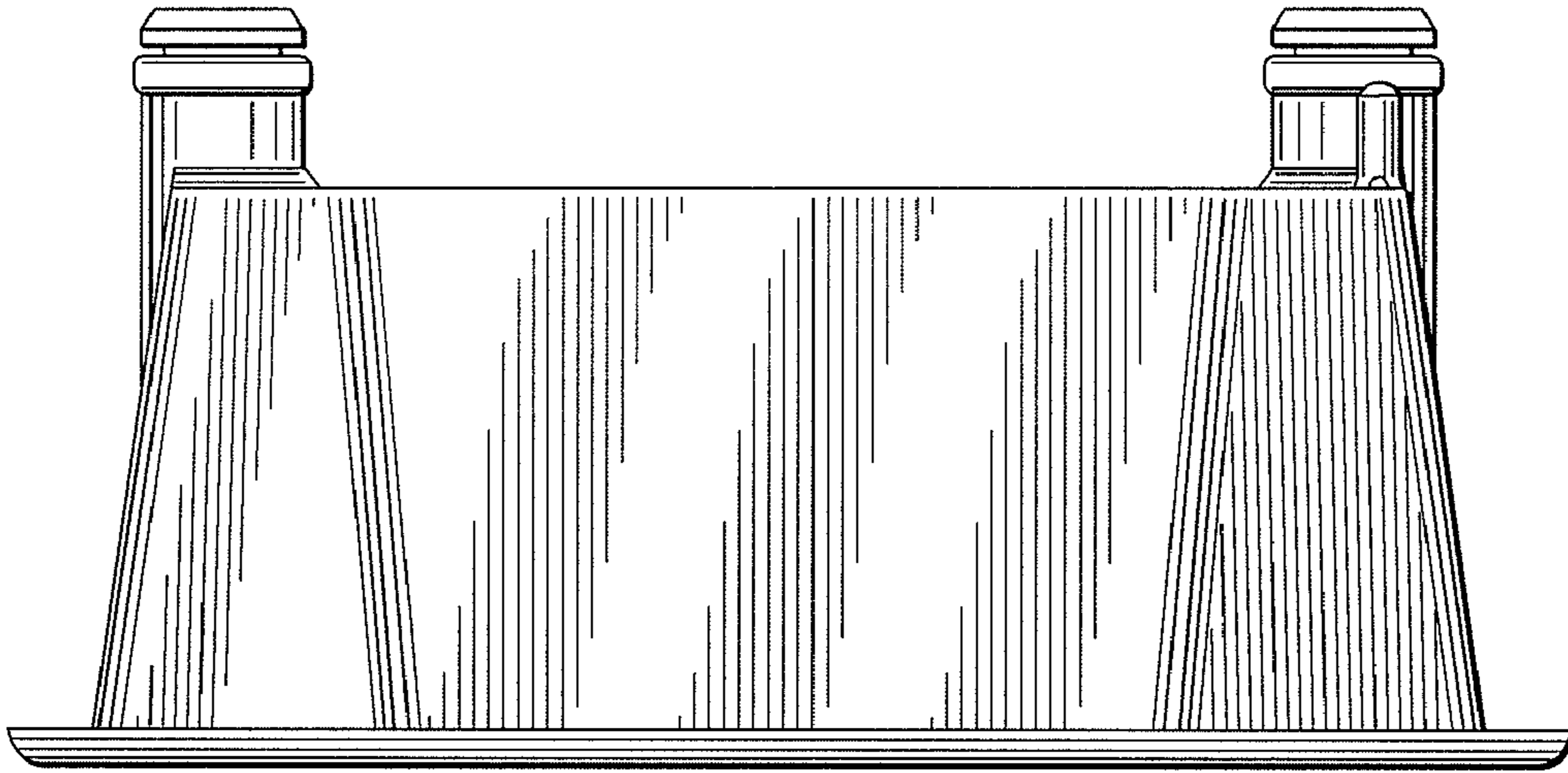


Fig. 2

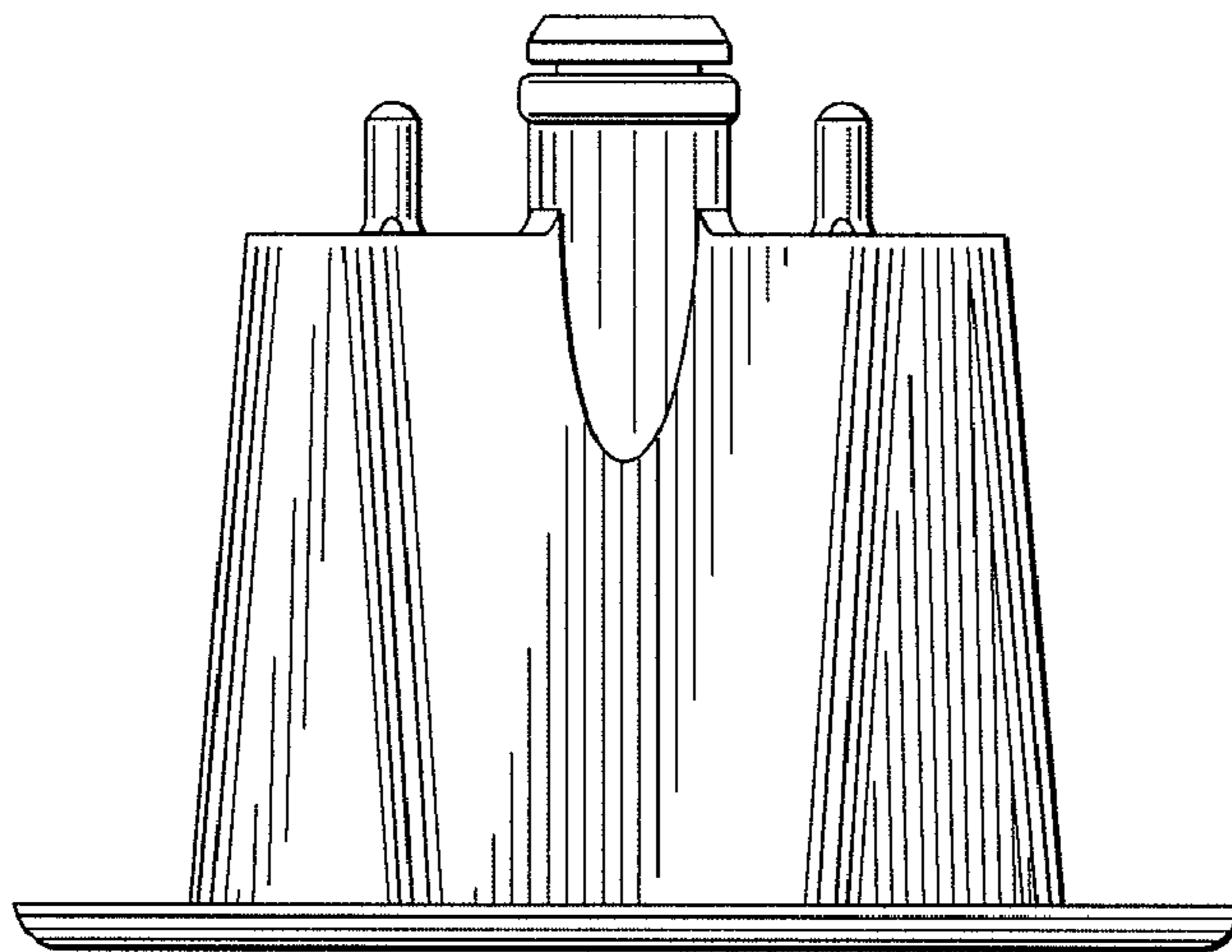


Fig. 3

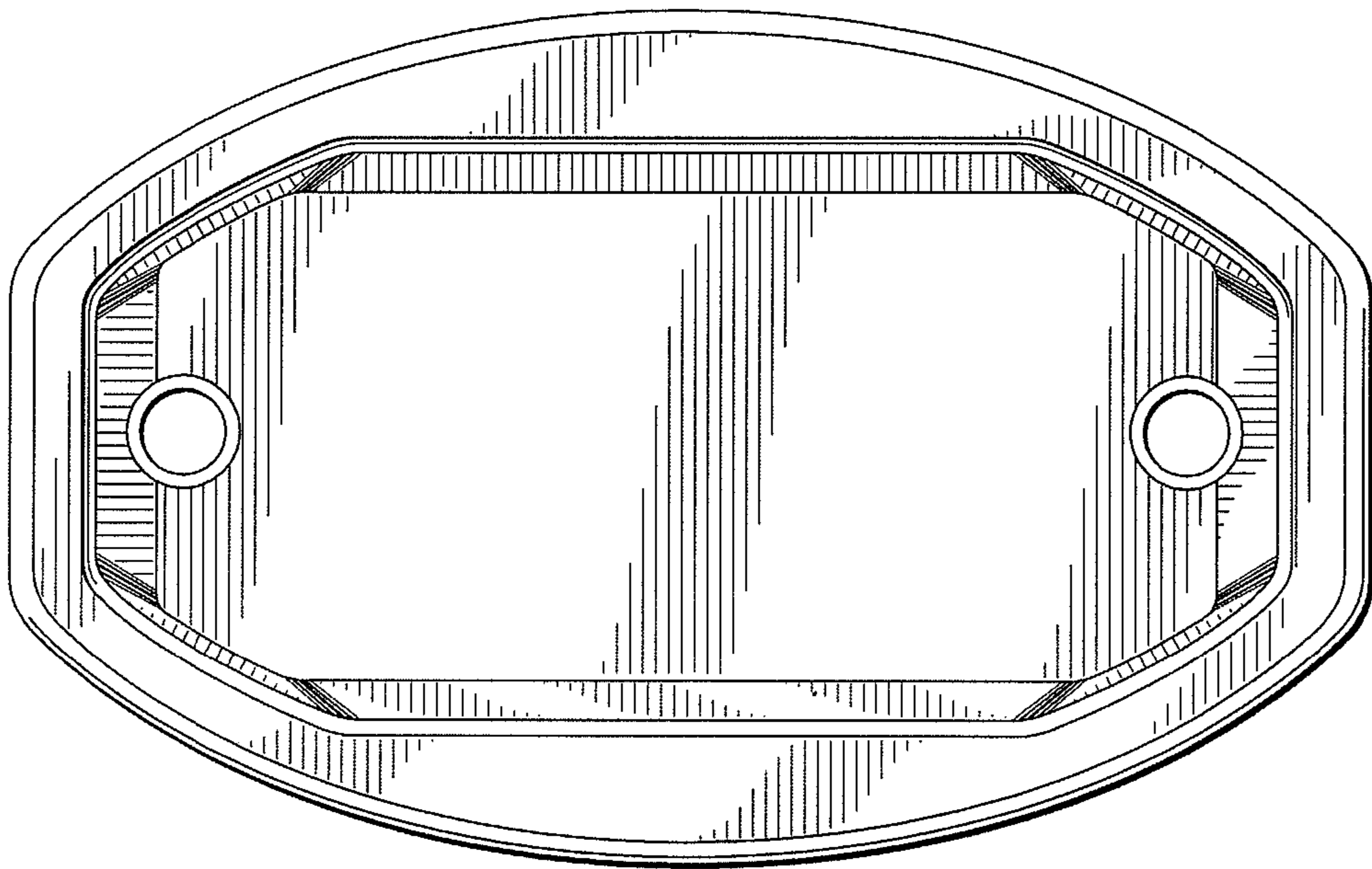


Fig. 4

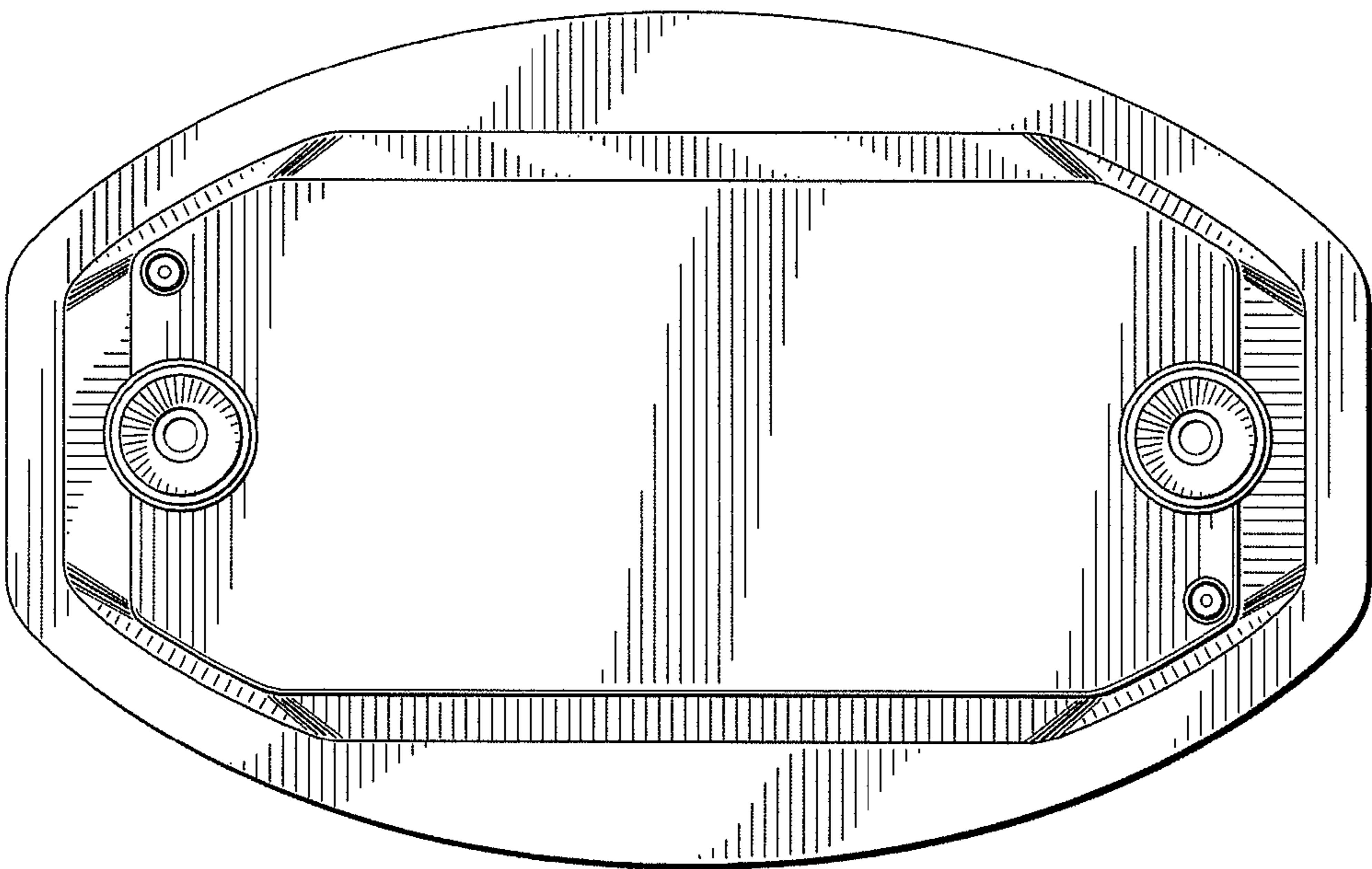


Fig. 5