



US00D608879S

(12) **United States Design Patent**
Colombo et al.

(10) **Patent No.:** **US D608,879 S**
(45) **Date of Patent:** **** Jan. 26, 2010**

(54) **LIQUID-EVAPORATE DELIVERY DEVICE**

(75) Inventors: **Joseph G. Colombo**, Hackensack, NJ (US); **Anthony J. Leardi**, Monroe, NY (US); **John E. Lando**, Wayne, NJ (US)

(73) Assignee: **Takasago International Corporation**, Tokyo (JP)

(**) Term: **14 Years**

(21) Appl. No.: **29/334,914**

(22) Filed: **Apr. 3, 2009**

Related U.S. Application Data

(62) Division of application No. 29/320,784, filed on Jul. 3, 2008, now abandoned.

(51) **LOC (9) Cl.** **28-99**

(52) **U.S. Cl.** **D23/366**

(58) **Field of Classification Search** D23/355-396;
261/DIG. 17, DIG. 43, DIG. 65, DIG. 88,
261/DIG. 89; 239/34, 35, 53, 56, 57, 60,
239/136, 326; 392/386, 394, 395; D28/5,
D28/6

See application file for complete search history.

(56) **References Cited**

U.S. PATENT DOCUMENTS

1,984,055	A	12/1934	Carter
D224,783	S	9/1972	Jones
D289,678	S	5/1987	Kwiatkowski
4,928,881	A	5/1990	Barlics et al.
D380,821	S	7/1997	Chen
D393,063	S	3/1998	Wefler
D397,460	S	8/1998	Chambers et al.
D437,636	S	2/2001	Basaganas
6,371,450	B1	4/2002	Davis et al.
D460,544	S	7/2002	Garcia

D469,862	S	2/2003	Cruver et al.
D473,638	S	4/2003	Cruver et al.
D477,065	S	7/2003	Lonczak et al.
D491,256	S	6/2004	Fellows et al.
D501,546	S	2/2005	Cruver et al.
D502,540	S	3/2005	Cruver et al.
D509,894	S	9/2005	Hoyt et al.
D510,134	S	9/2005	Lablaine
D510,423	S	10/2005	Caserta et al.
D512,136	S	11/2005	Wefler
D512,769	S	12/2005	Wefler
D523,129	S	6/2006	Caserta et al.
7,093,949	B2	8/2006	Hart et al.
D533,930	S	12/2006	Keller et al.
D567,921	S *	4/2008	Bellofatto et al. D23/366
D577,428	S *	9/2008	Sun D23/366
D588,687	S *	3/2009	Drucker et al. D23/366

* cited by examiner

Primary Examiner—Sandra Snapp

(74) *Attorney, Agent, or Firm*—Baker Botts L.L.P.

(57) **CLAIM**

The ornamental design for a liquid-evaporate delivery device, as shown and described.

DESCRIPTION

FIG. 1 is a perspective view of a liquid-evaporate delivery device;

FIG. 2 is a front view of the embodiment of FIG. 1.

FIG. 3 is a rear view of the embodiment of FIG. 1.

FIG. 4 is a right side view of the embodiment of FIG. 1.

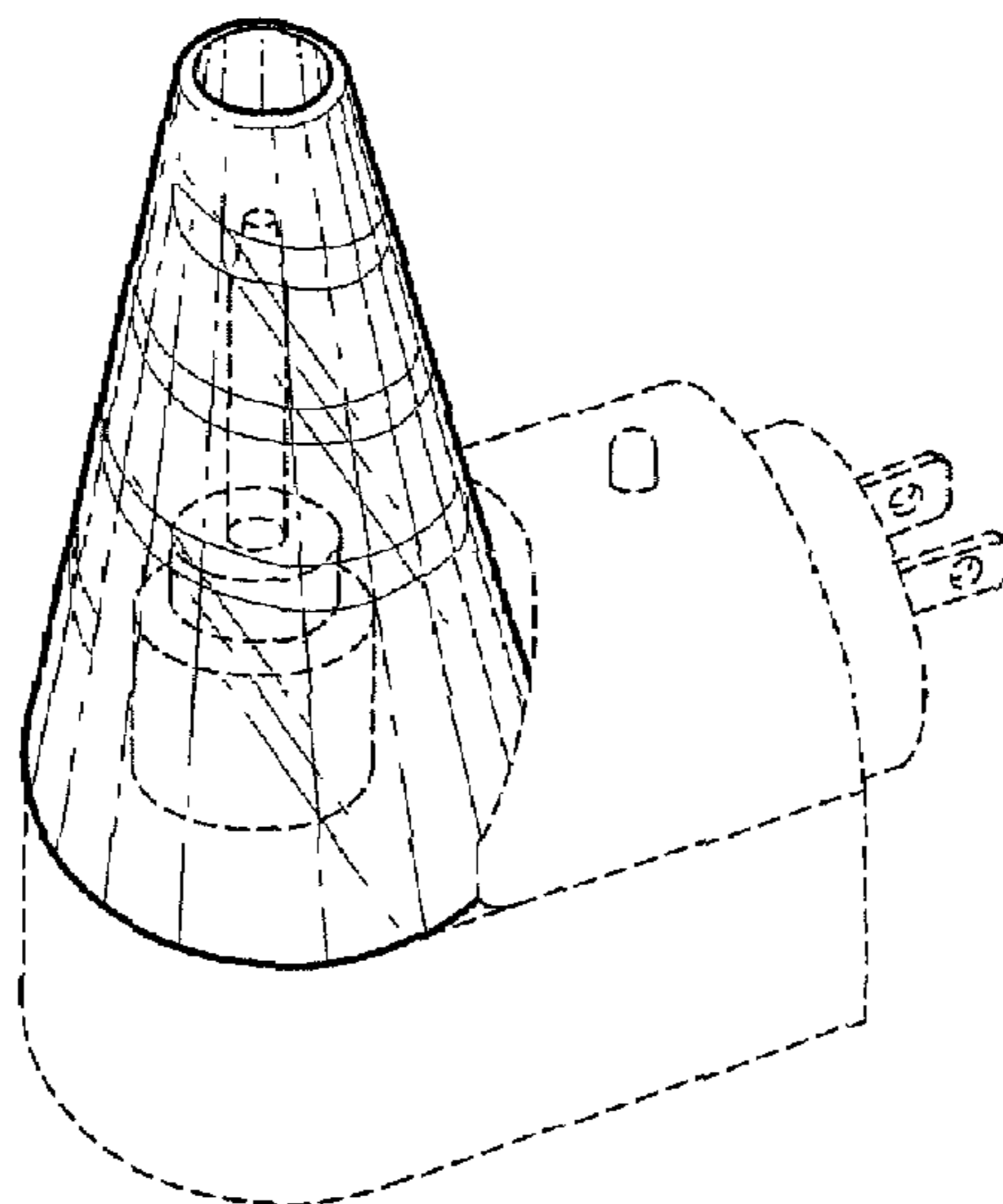
FIG. 5 is a left side view of the embodiment of FIG. 1.

FIG. 6 is a top view of the embodiment of FIG. 1; and,

FIG. 7 is a bottom view of the embodiment of FIG. 1.

The broken lines are provided for illustrative purposes only and form no part of the claimed design.

1 Claim, 7 Drawing Sheets



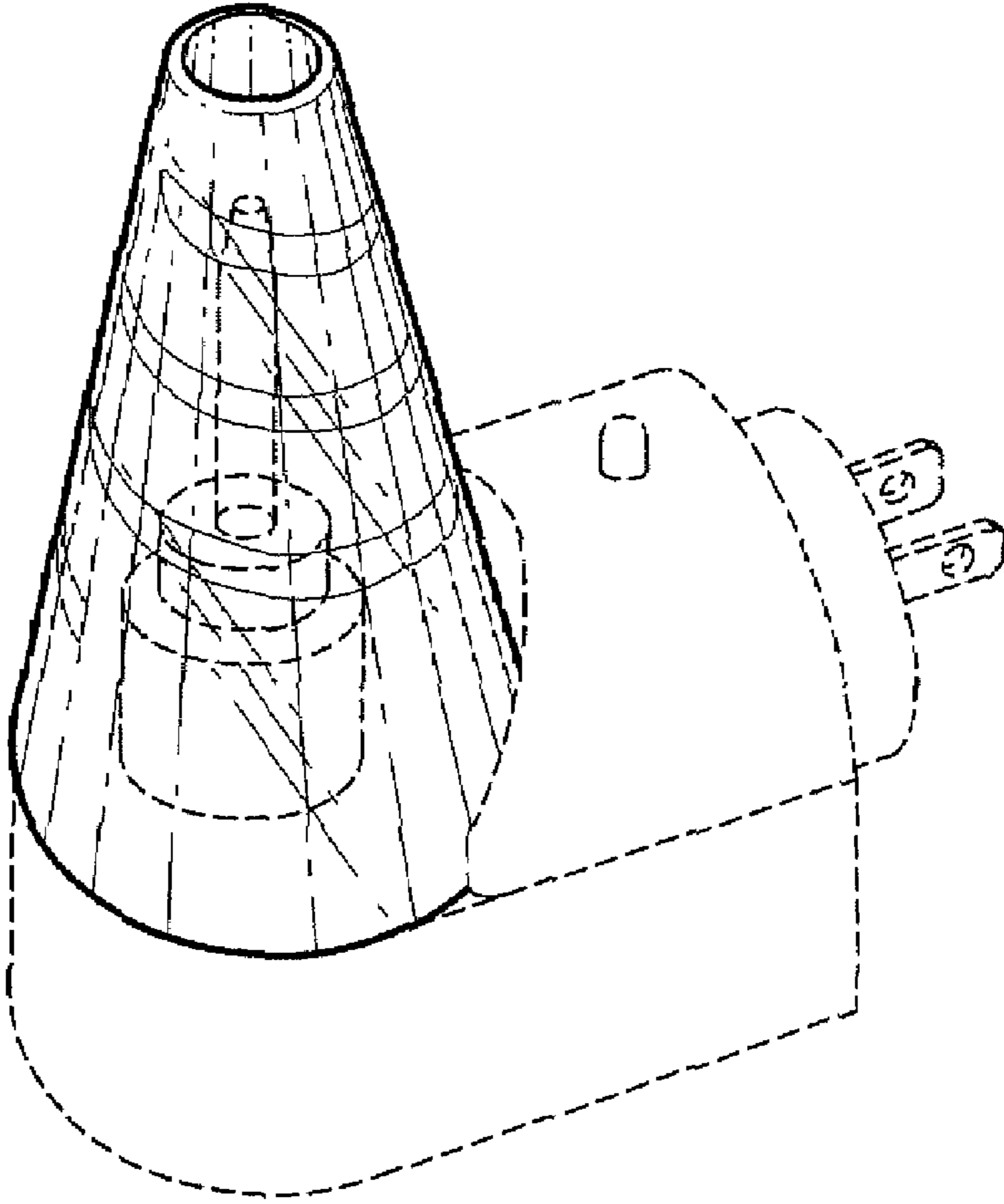


FIG. 1

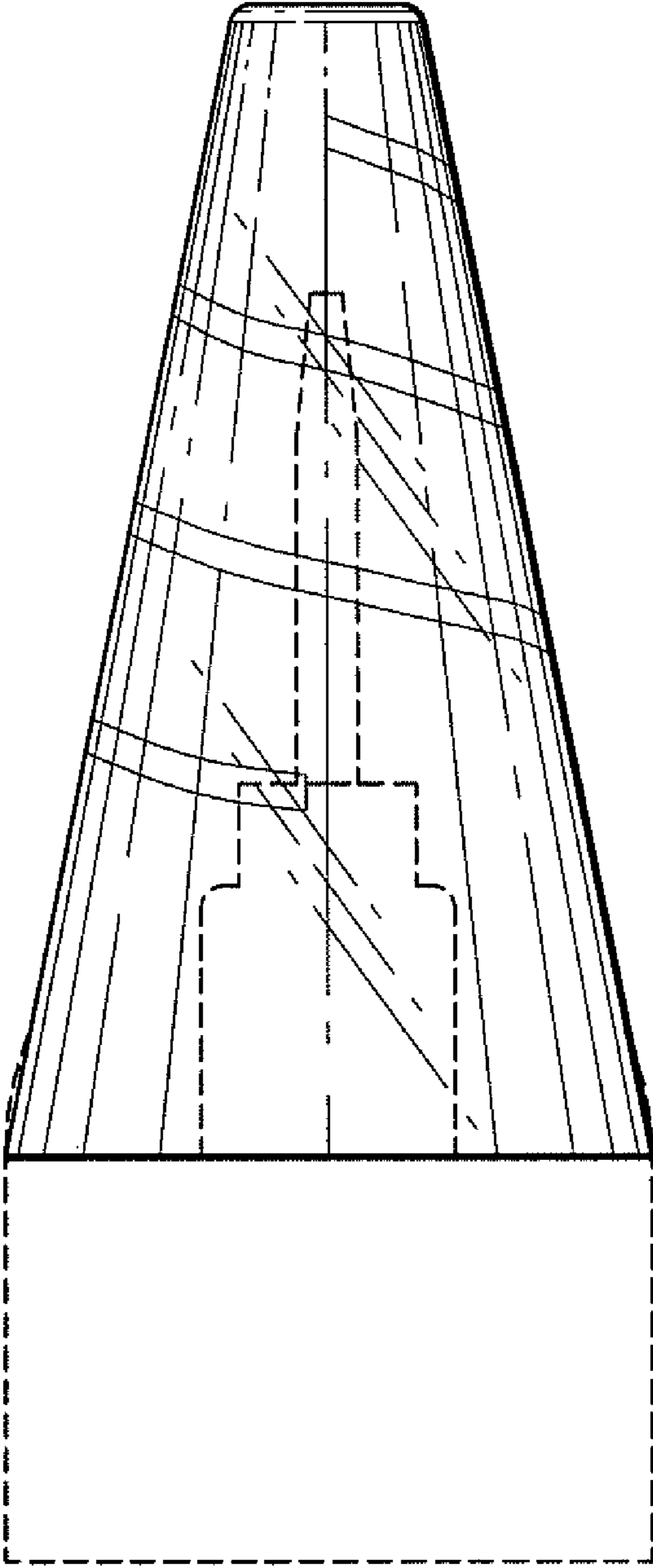


FIG. 2

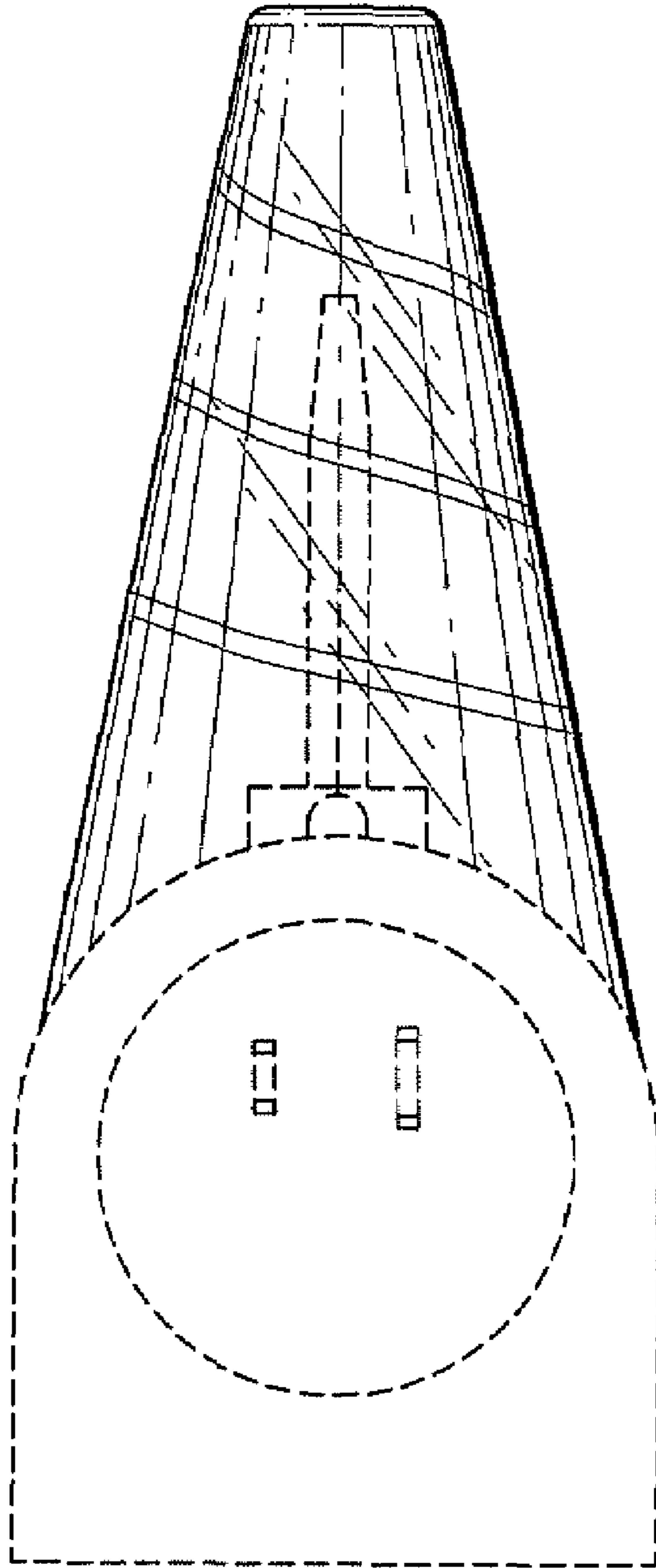


FIG. 3

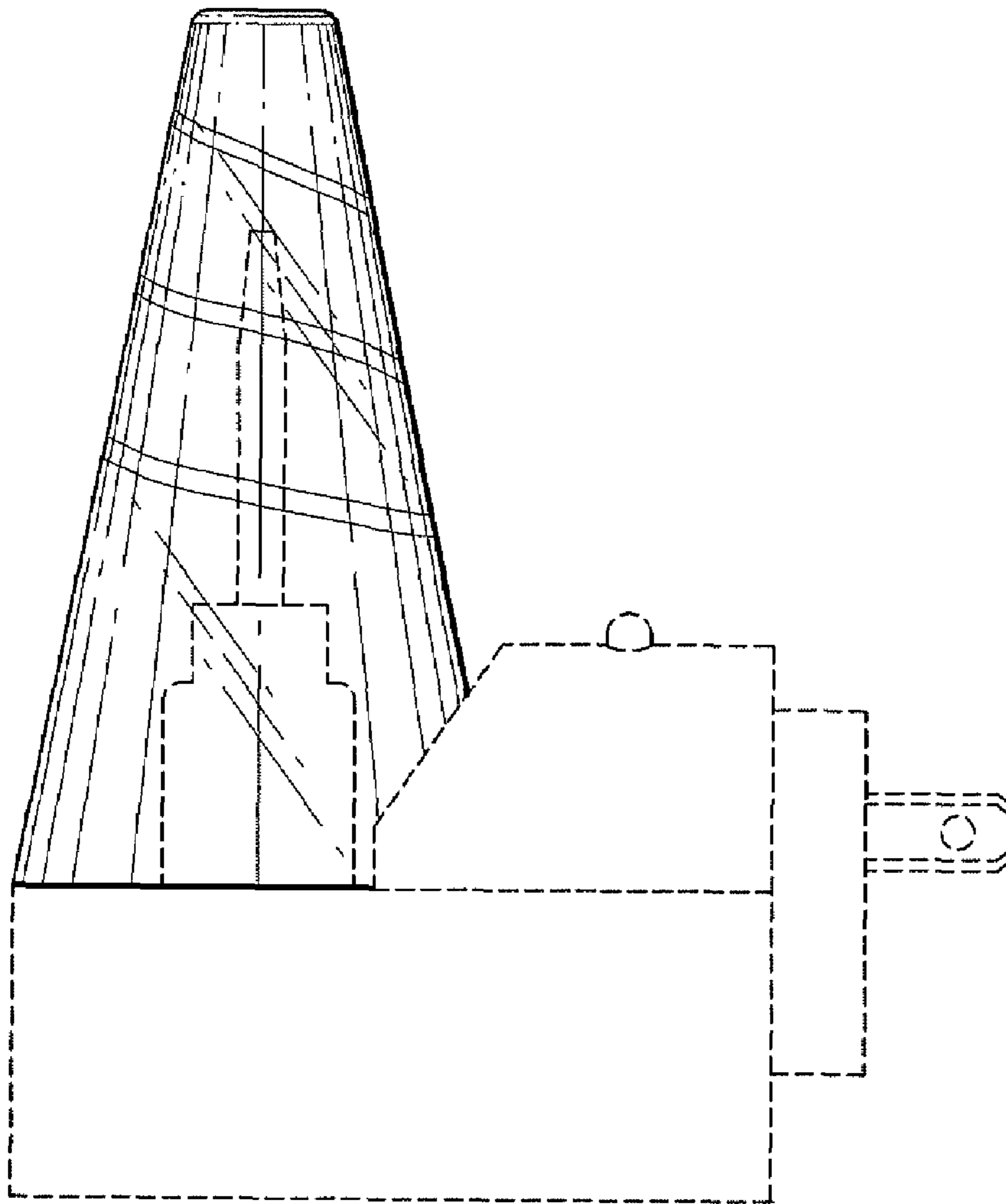


FIG. 4

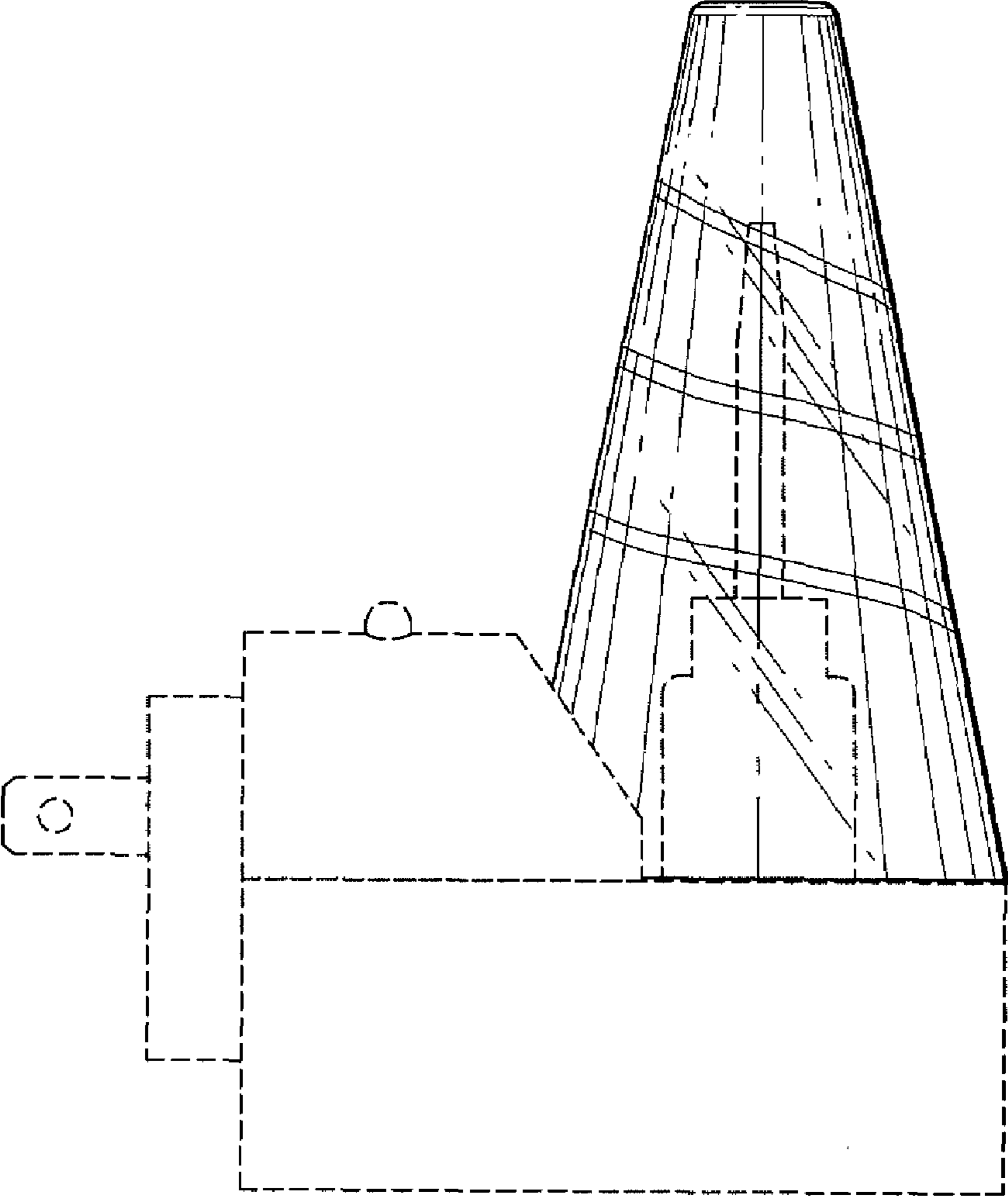


FIG. 5

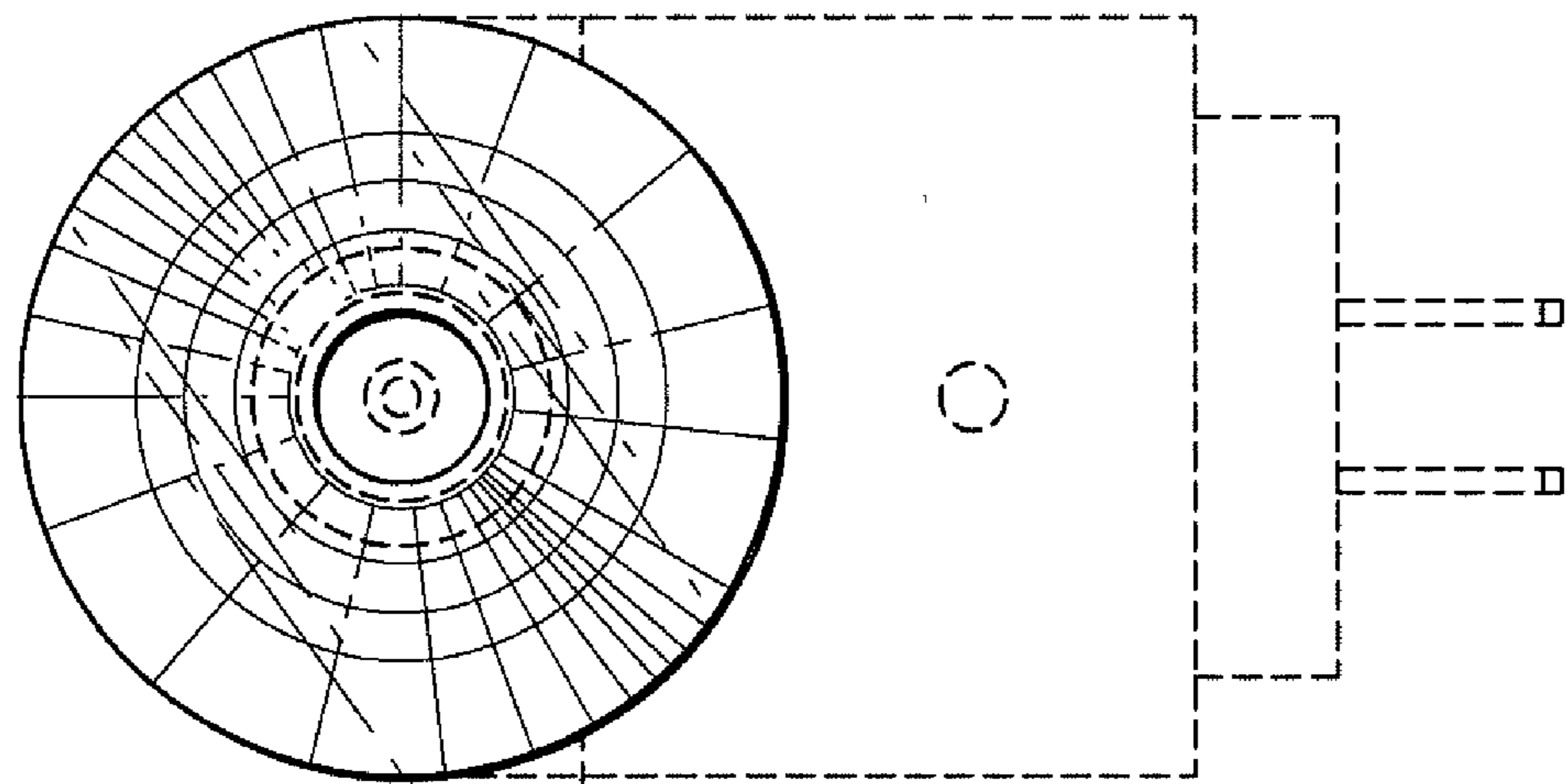


FIG. 6

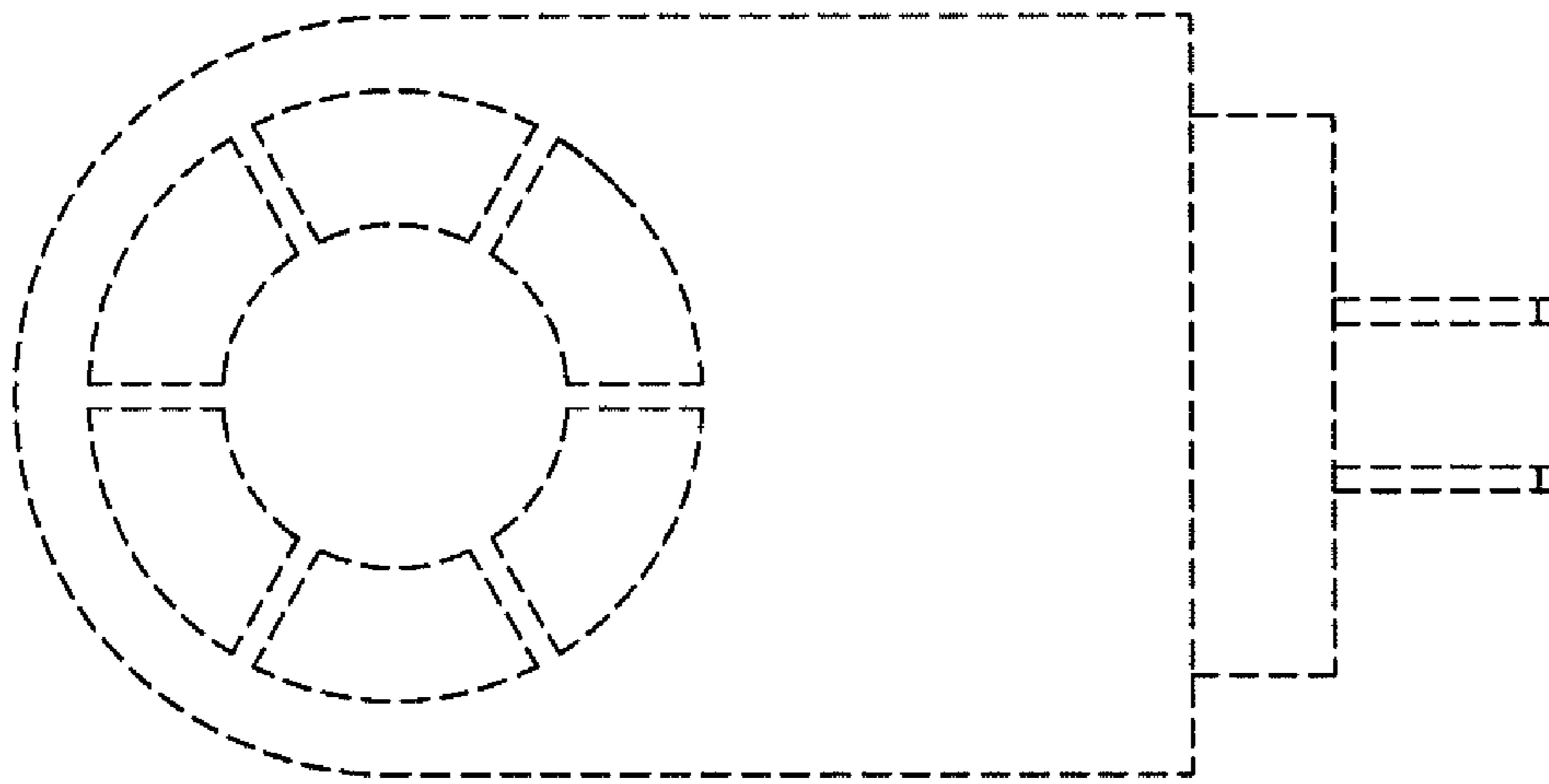


FIG. 7