



US00D608878S

(12) **United States Design Patent**
Mattis et al.

(10) **Patent No.:** **US D608,878 S**
(45) **Date of Patent:** **** Jan. 26, 2010**

(54) **OVEN**

(75) Inventors: **Hans-Werner Mattis**, Darmstadt (DE);
Eberhard Friemel, Darmstadt (DE);
Joseph Michael Neustifter,
Eggenfelden (DE)

(73) Assignee: **Ulrich Brunner GmbH**, Eggenfelden
(DE)

(**) Term: **14 Years**

(21) Appl. No.: **29/311,959**

(22) Filed: **Aug. 7, 2009**

Related U.S. Application Data

(60) Continuation-in-part of application No. 29/309,339,
filed on Jul. 29, 2008, which is a division of application
No. 29/287,747, filed on Sep. 14, 2007.

(51) **LOC (9) Cl.** **23-01**

(52) **U.S. Cl.** **D23/346**

(58) **Field of Classification Search** D23/346;
D7/339, 340, 348; 126/39 R, 60, 65, 19 R,
126/39 B, 211, 214 R, 39 C; 219/391-392
See application file for complete search history.

(56) **References Cited**

U.S. PATENT DOCUMENTS

D64,307 S * 3/1924 O'Dowd D7/340
D86,123 S * 2/1932 Hobson D7/340

D112,135 S * 11/1938 Tullis D7/340
D116,954 S * 10/1939 Heym D7/340
D117,946 S * 12/1939 Criddle D7/340
4,394,857 A * 7/1983 Iannone 126/60
D397,776 S * 9/1998 Heger D23/347
D408,072 S * 4/1999 Smith et al. D23/350

* cited by examiner

Primary Examiner—T. Chase Nelson

Assistant Examiner—Eric L Goodman

(74) *Attorney, Agent, or Firm*—Duane Morris LLP

(57) **CLAIM**

The ornamental design for an oven, as shown and described.

DESCRIPTION

FIG. 1 is a first perspective view as seen from the top, front
and right sides, showing my new design, with retracted upper
shelves;

FIG. 2 is a front elevational view thereof, with retracted upper
shelves;

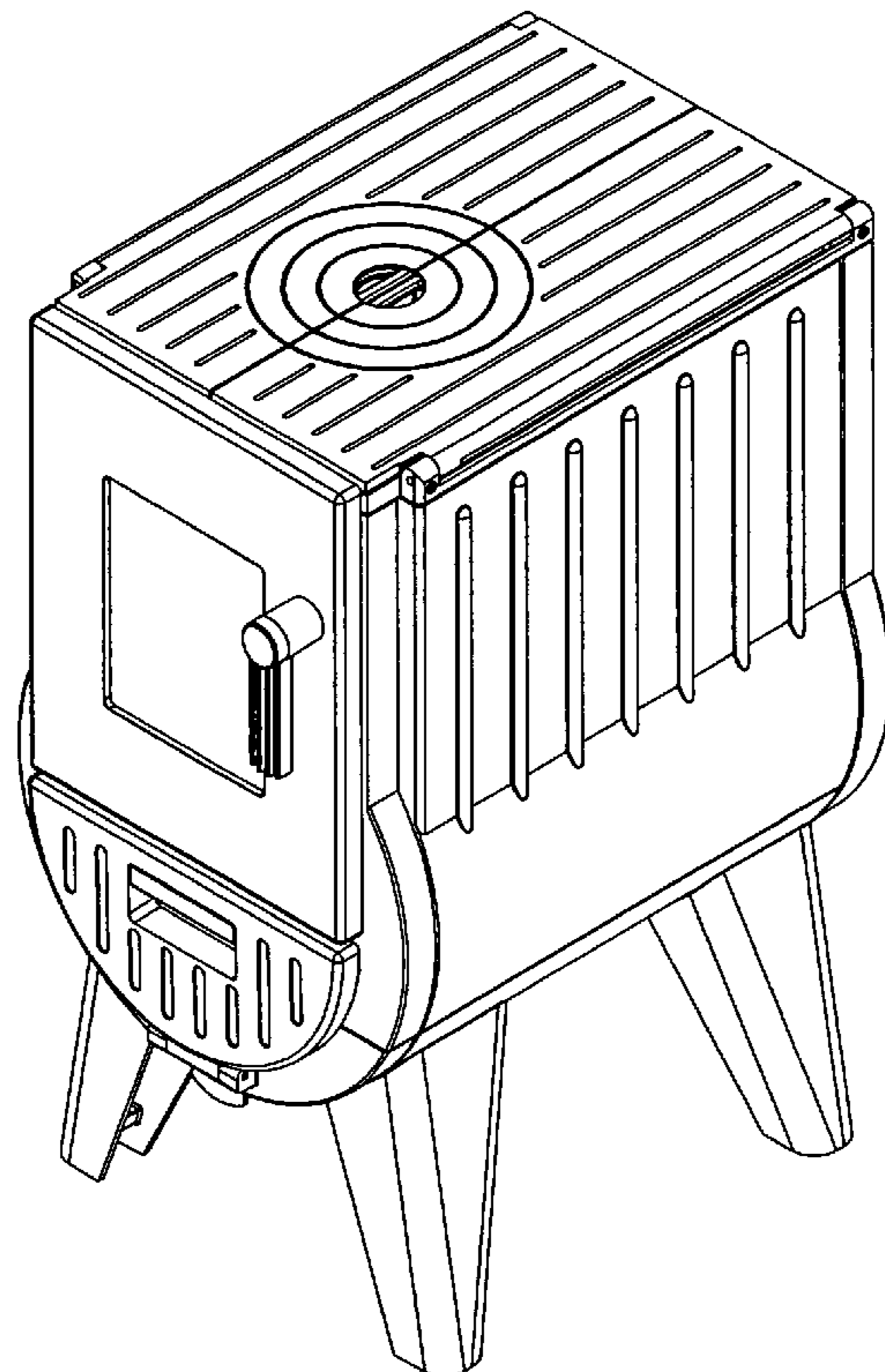
FIG. 3 is a second perspective view as seen from the top side
thereof, with retracted upper shelves;

FIG. 4 is a left side elevational view thereof, with retracted
upper shelves;

FIG. 5 is a right side elevational view thereof, with retracted
upper shelves; and,

FIG. 6 is a second front elevational view thereof, with
deployed upper shelves and an open lower door.

1 Claim, 6 Drawing Sheets



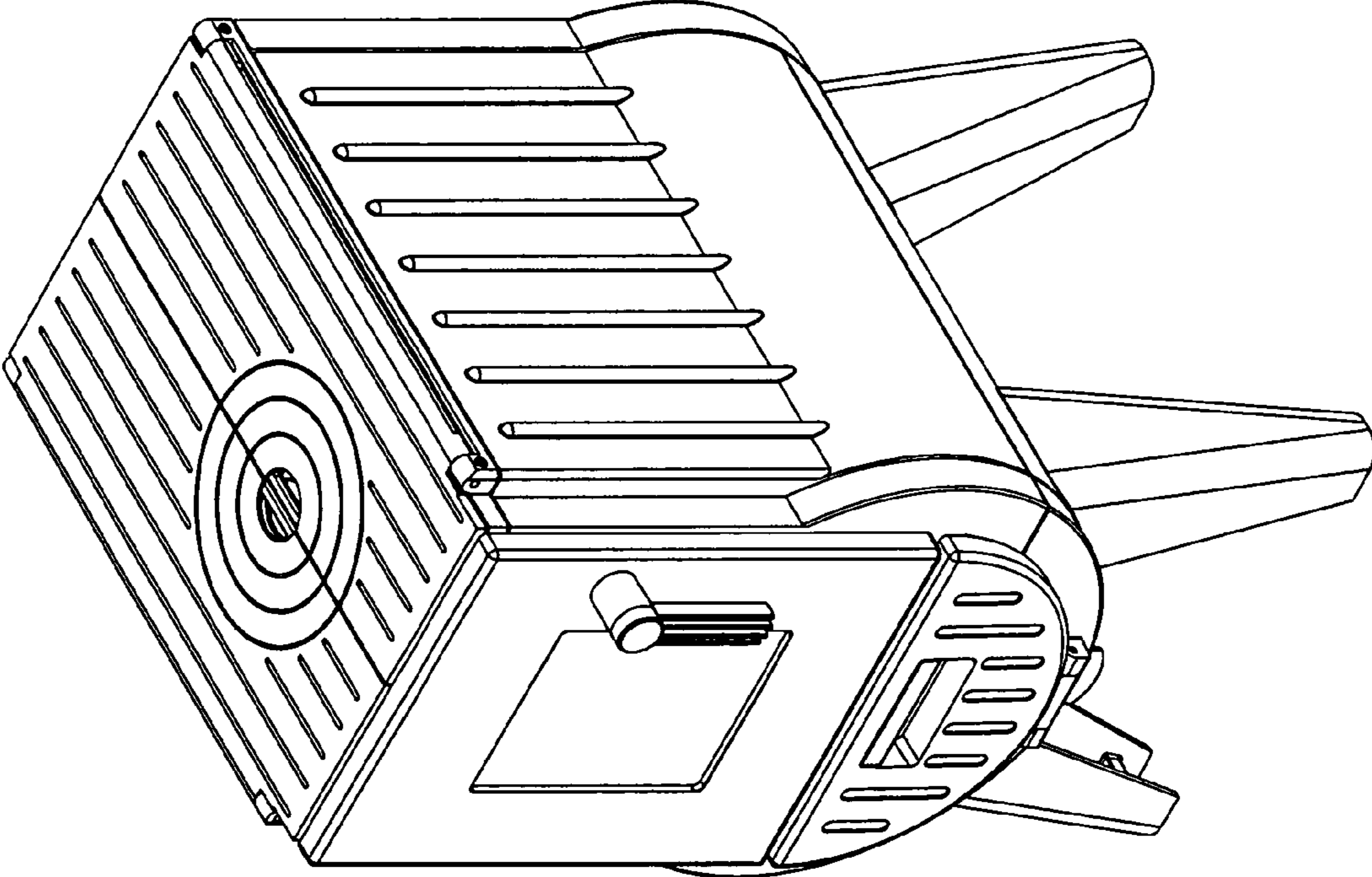


Figure 1

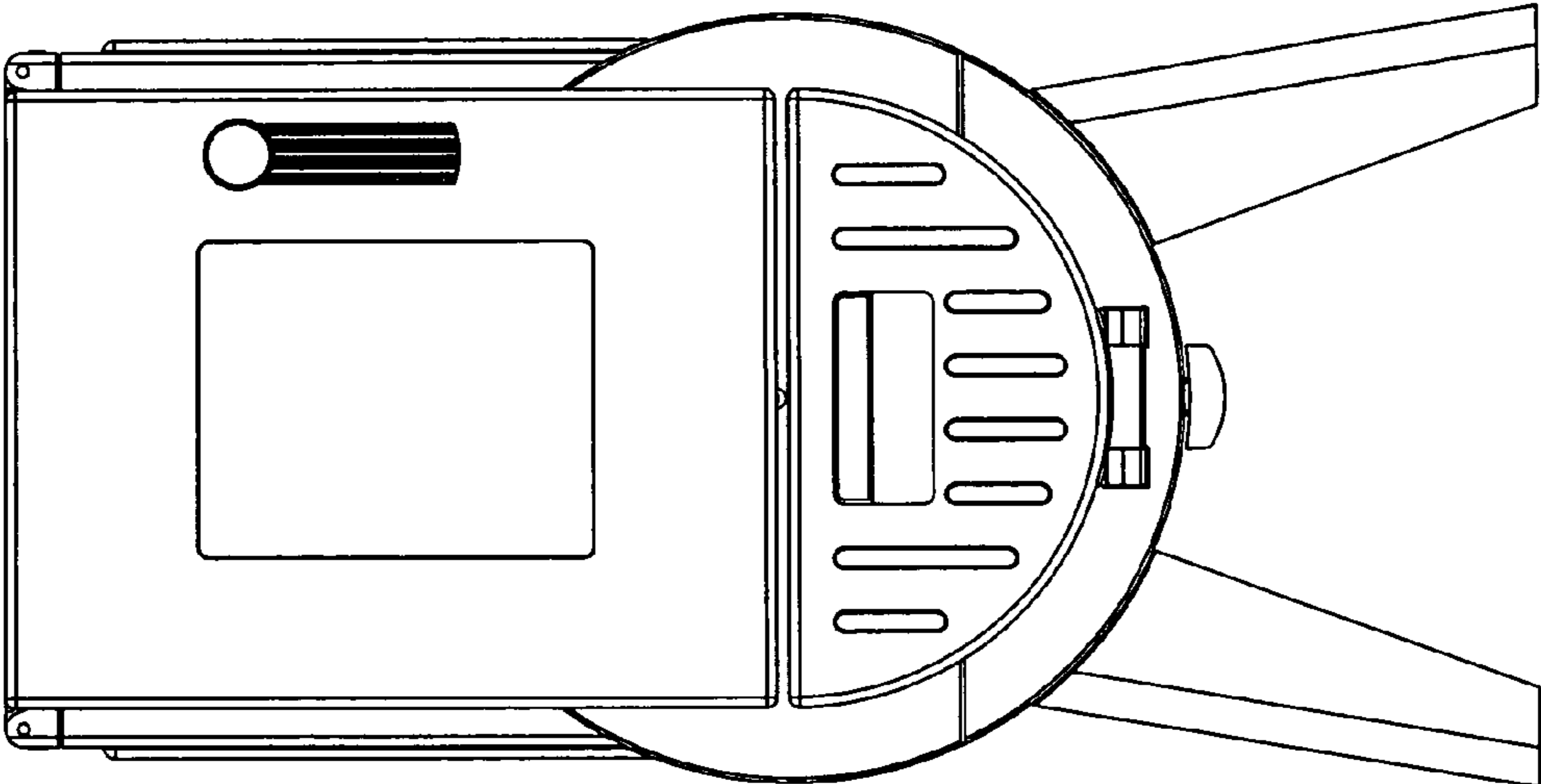


Figure 2

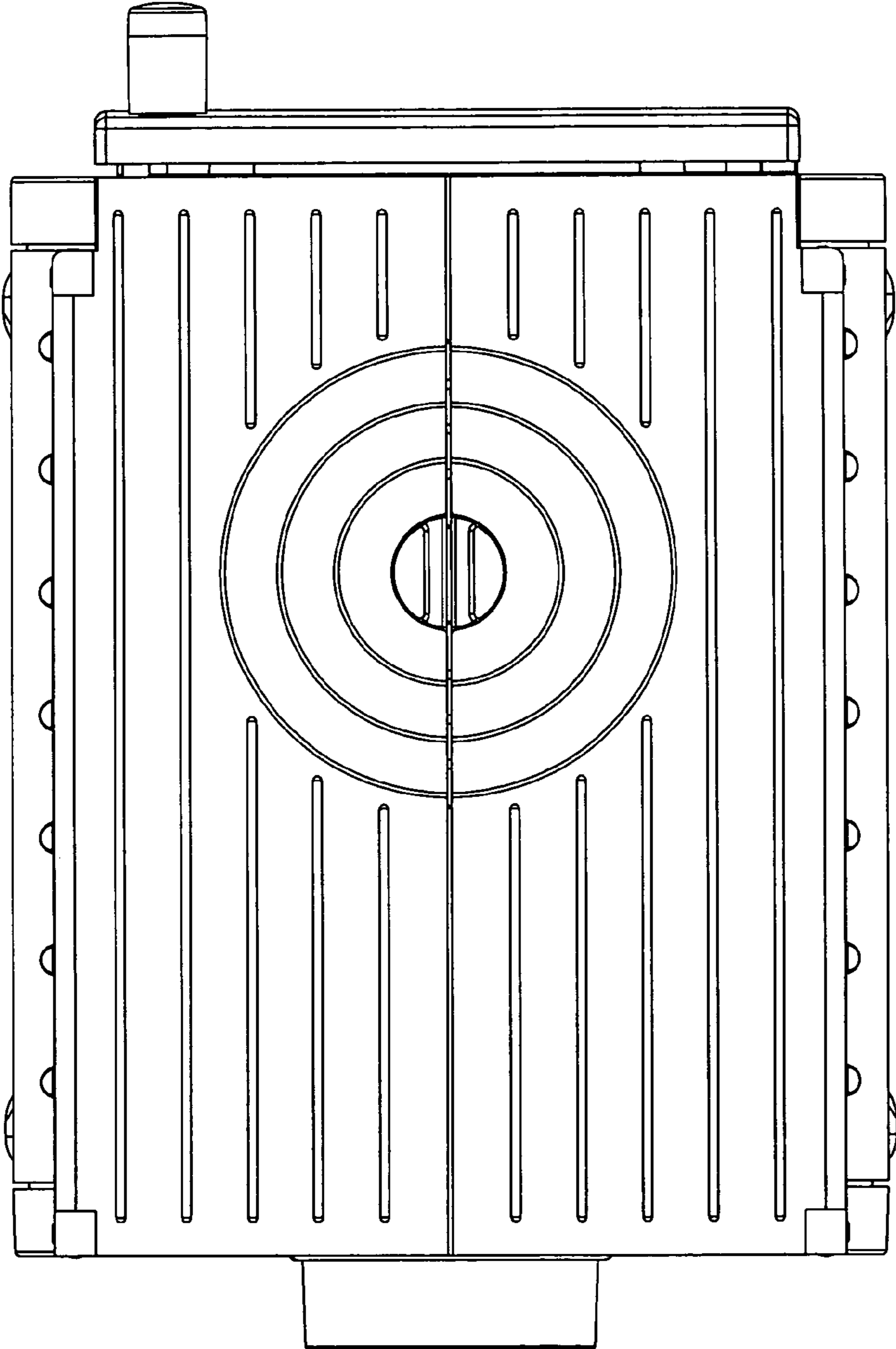


Figure 3

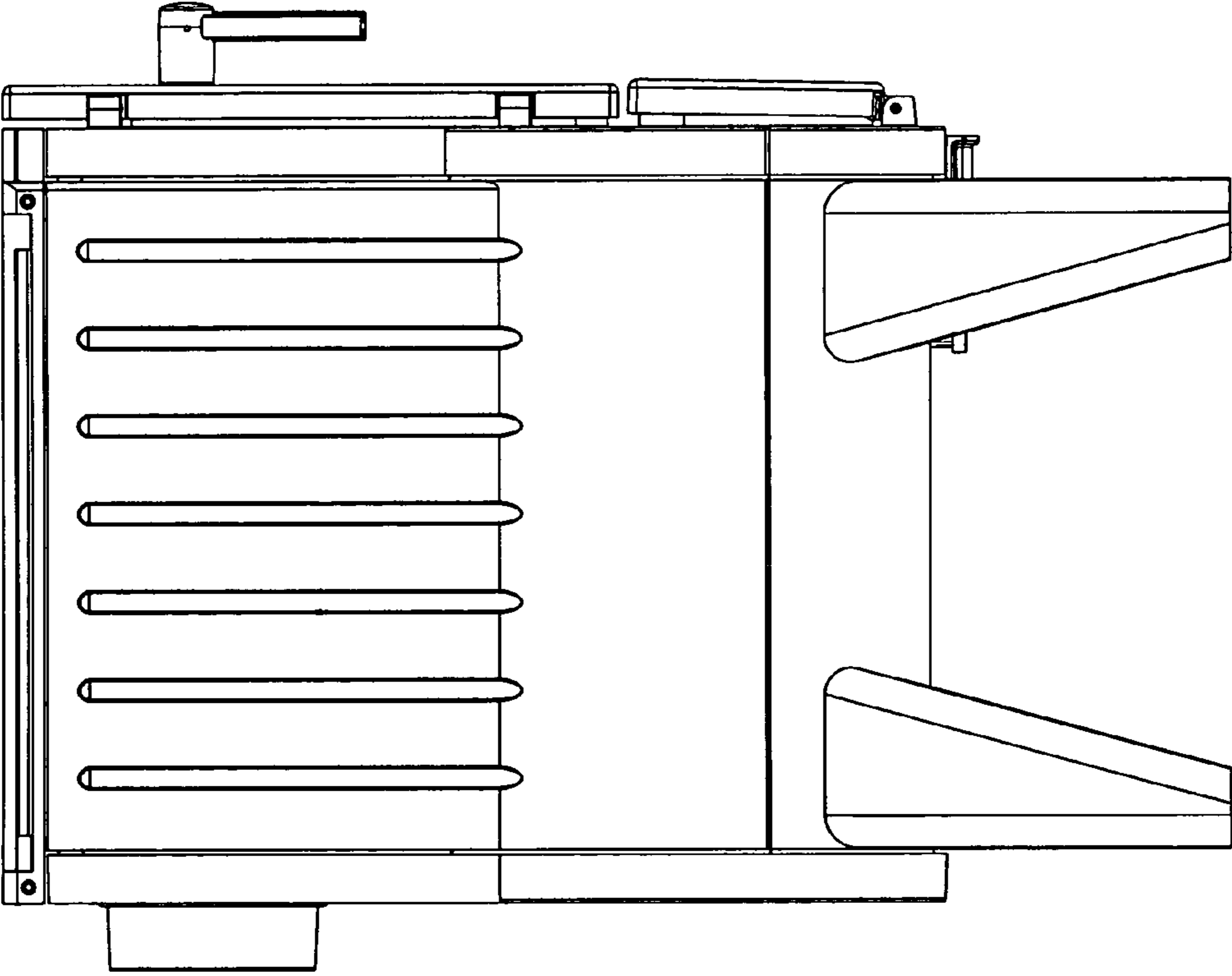


Figure 4

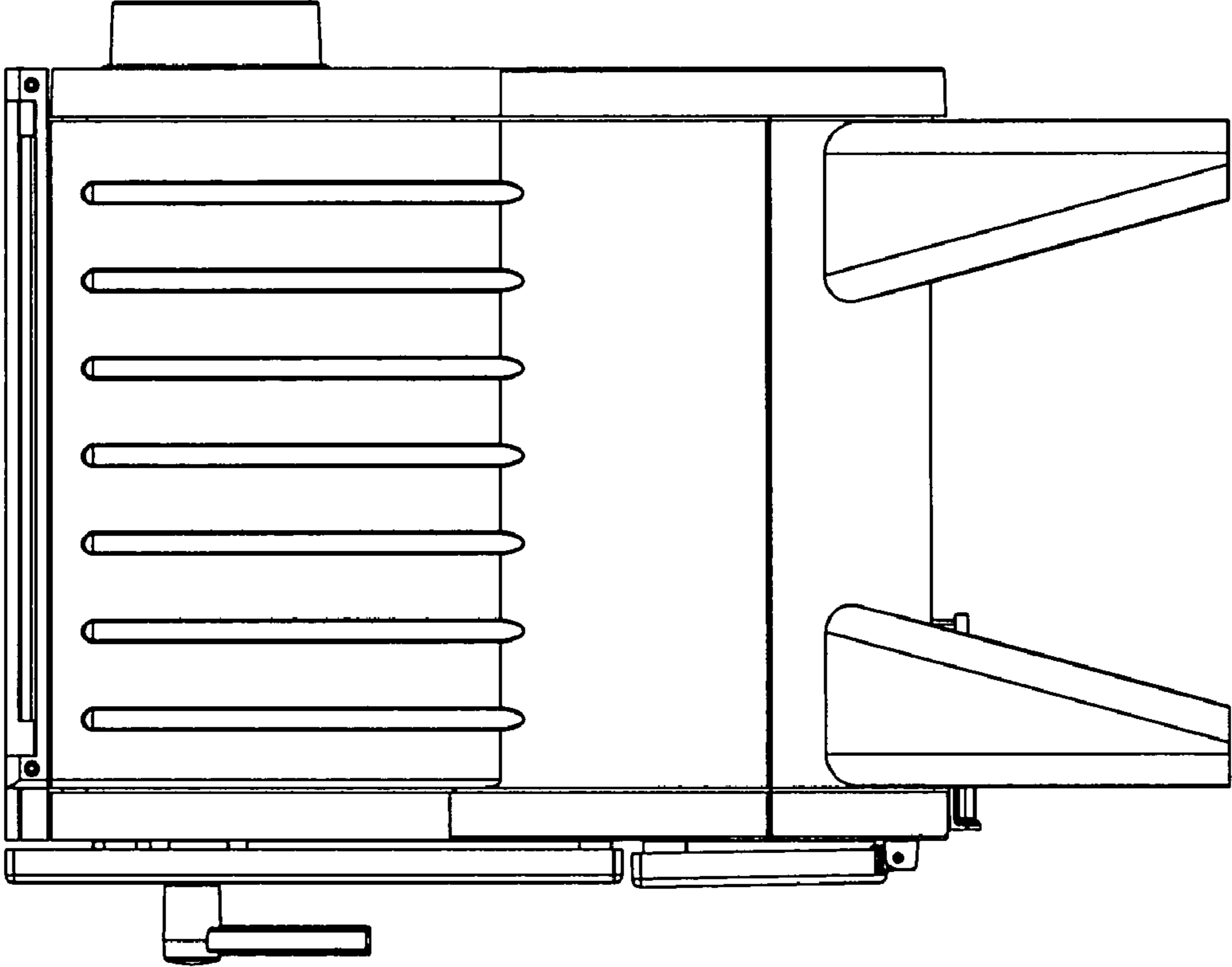


Figure 5

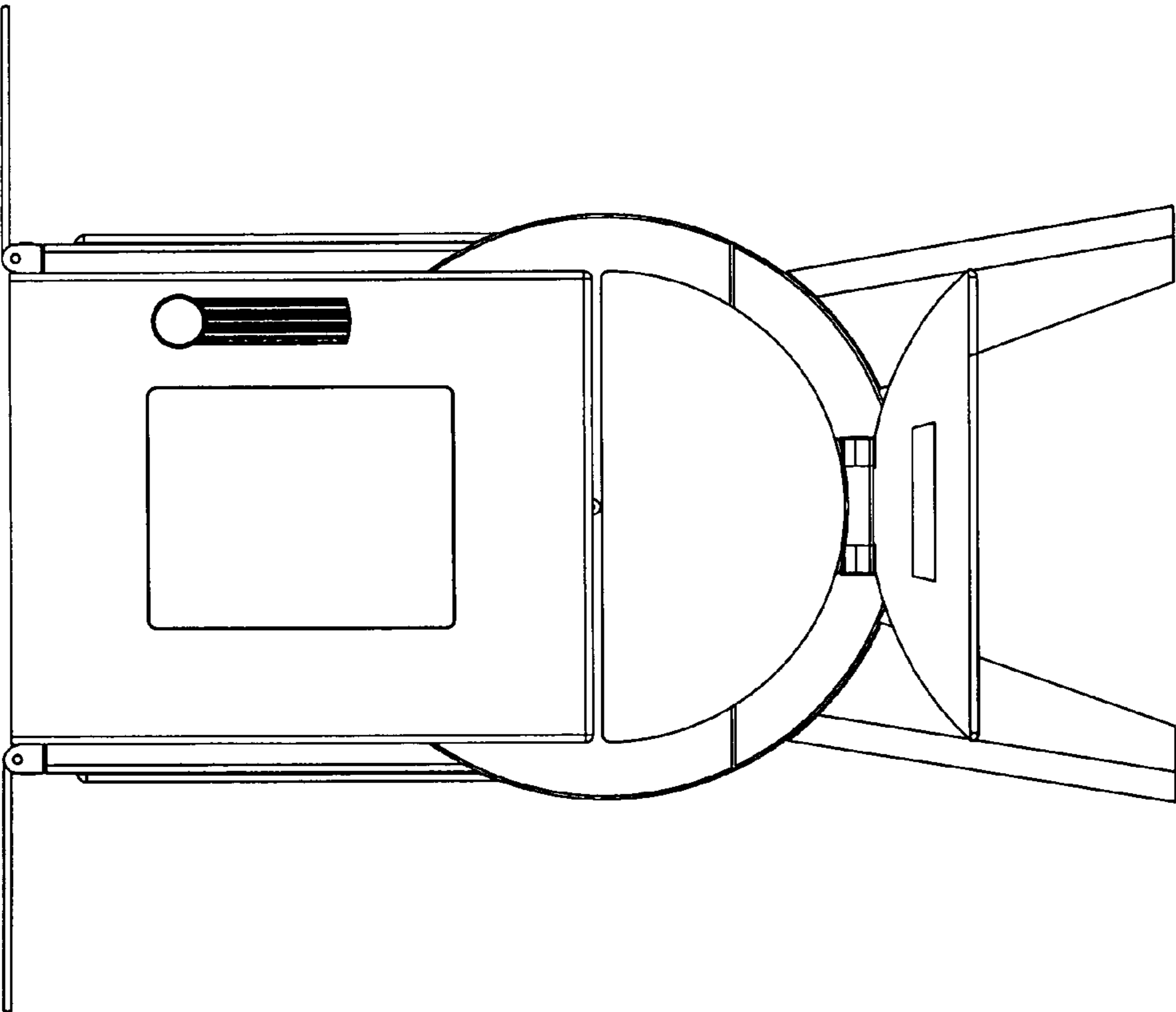


Figure 6