



US00D608875S

(12) **United States Design Patent**
Pilgaard et al.

(10) **Patent No.:** **US D608,875 S**

(45) **Date of Patent:** **** Jan. 26, 2010**

(54) **HEAT TRANSFER APPLIANCE**

(76) Inventors: **Ole Pilgaard**, 4910 Seaport Ave.,
Richmond, CA (US) 94804; **Michael**
Starkey, 4910 Seaport Ave., Richmond,
CA (US) 94804

(**) Term: **14 Years**

(21) Appl. No.: **29/331,879**

(22) Filed: **Feb. 3, 2009**

(51) **LOC (9) Cl.** **23-03**

(52) **U.S. Cl.** **D23/322**

(58) **Field of Classification Search** D23/318,
D23/322, 319, 320, 321, 334; 126/361, 35 R;
122/13.2, 14, 15, 19.2, 13.01, 14.3; 392/449,
392/451, 454; D10/75, 46, 52
See application file for complete search history.

(56) **References Cited**

U.S. PATENT DOCUMENTS

6,480,257 B2 * 11/2002 Cassidy et al. 392/470
D505,087 S * 5/2005 Ricci et al. D10/75
7,290,502 B2 * 11/2007 Kidd et al. 122/14.2

* cited by examiner

Primary Examiner—T. Chase Nelson
Assistant Examiner—Ania K Dworzecka

(74) *Attorney, Agent, or Firm*—John C. Merchant

(57) **CLAIM**

The ornamental design for the heat transfer appliance, as shown and described.

DESCRIPTION

FIG. 1 is a front elevation view of the heat transfer appliance showing our new design.

FIG. 2 is a top plan view of the heat transfer appliance.

FIG. 3 is a left side elevation view of the heat transfer appliance.

FIG. 4 is a right side elevation view of the heat transfer appliance.

FIG. 5 is a rear elevation view of the heat transfer appliance.

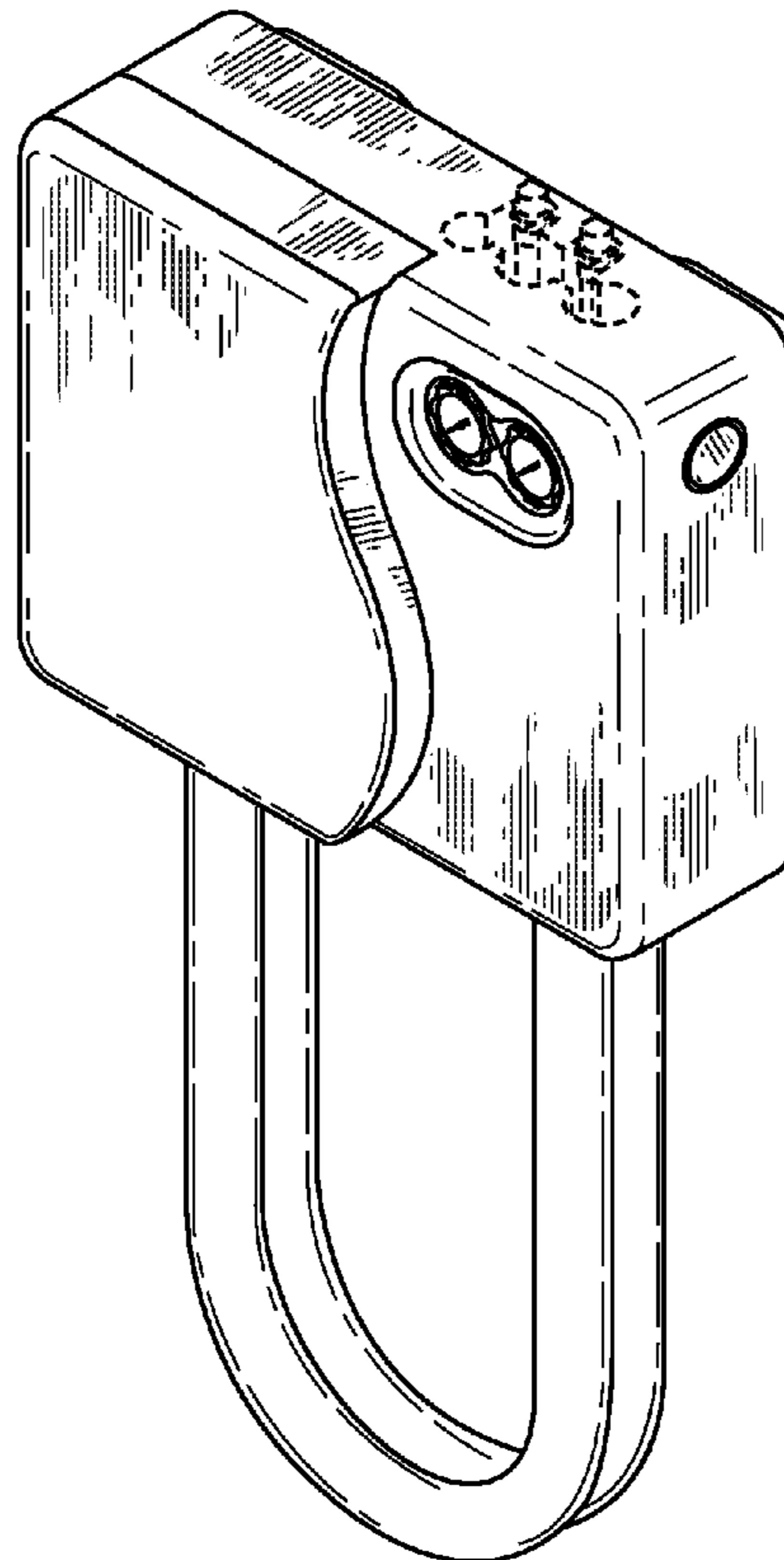
FIG. 6 is a bottom plan view of the heat transfer appliance.

FIG. 7 is a front perspective view of the heat transfer appliance; and,

FIG. 8 is a front perspective view of the heat transfer appliance attached to a standard water heater.

In the drawings, the broken lines depict environmental subject matter only and form no part of the claimed design.

1 Claim, 5 Drawing Sheets



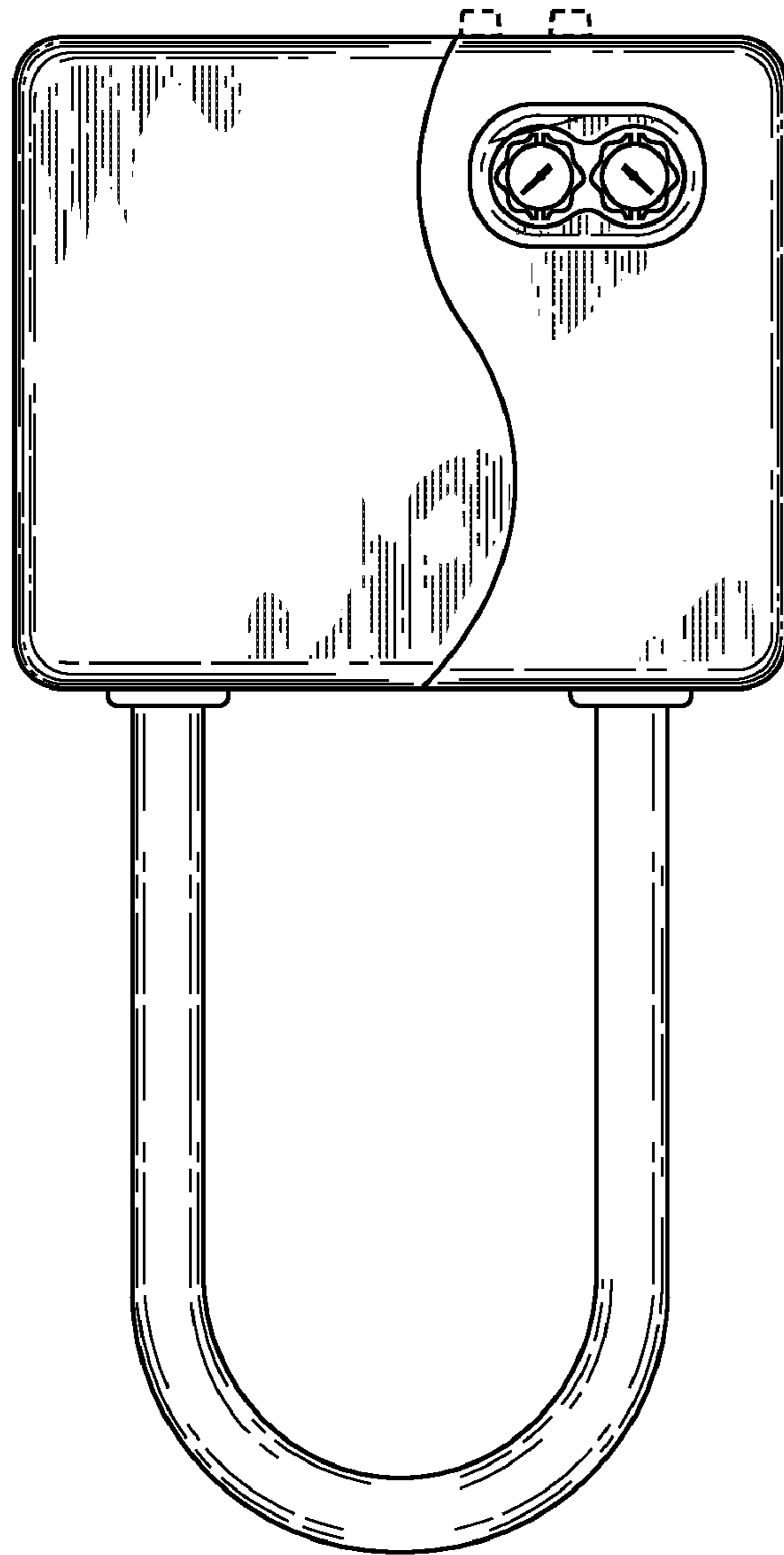


FIG. 1

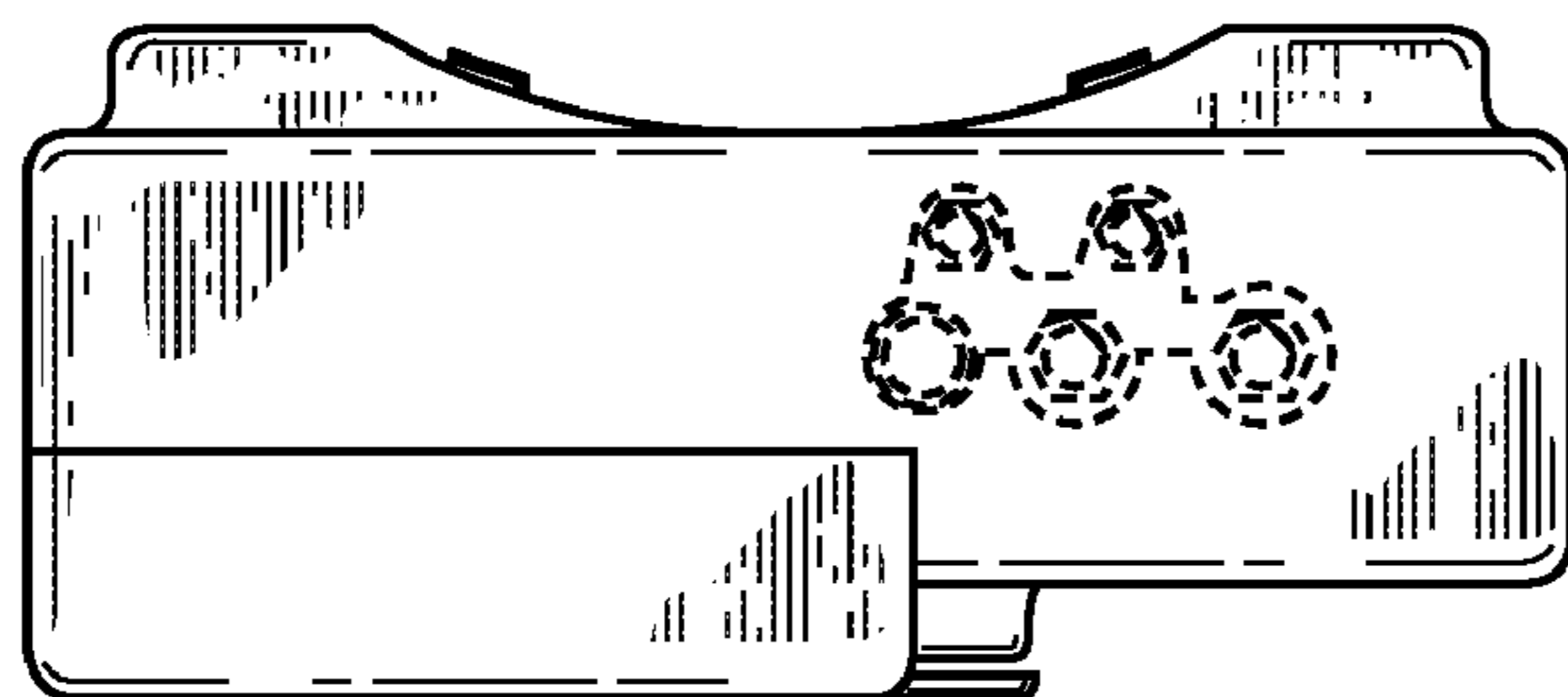


FIG. 2

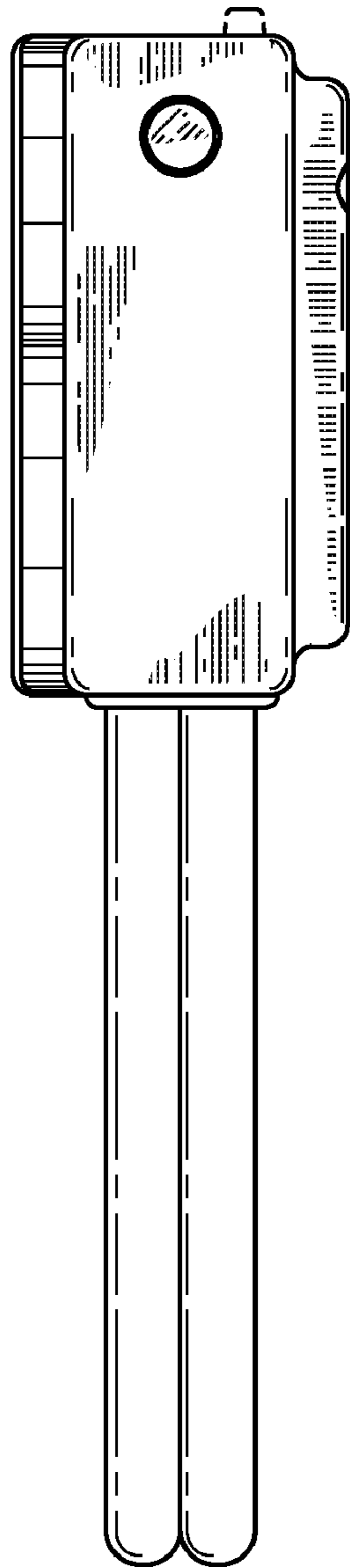


FIG. 3

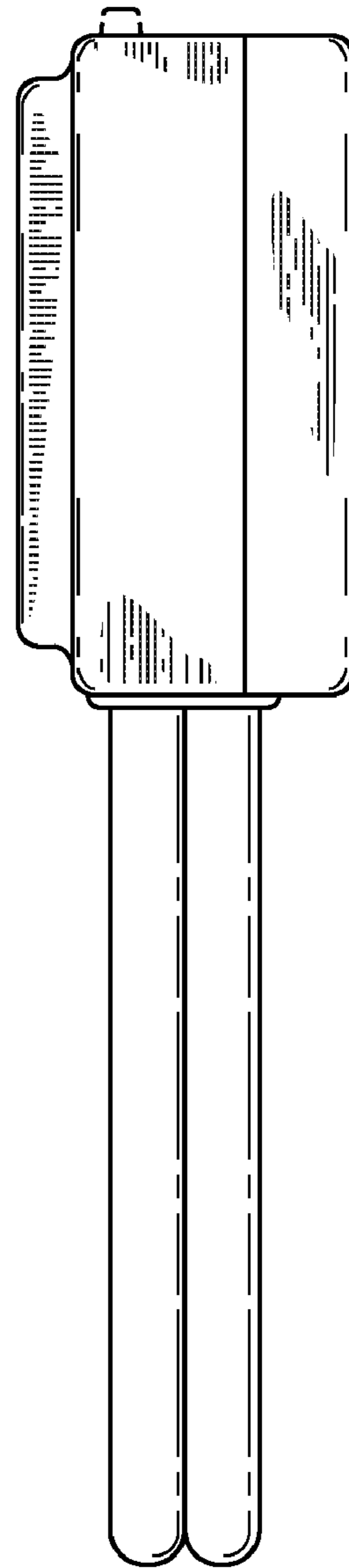


FIG. 4

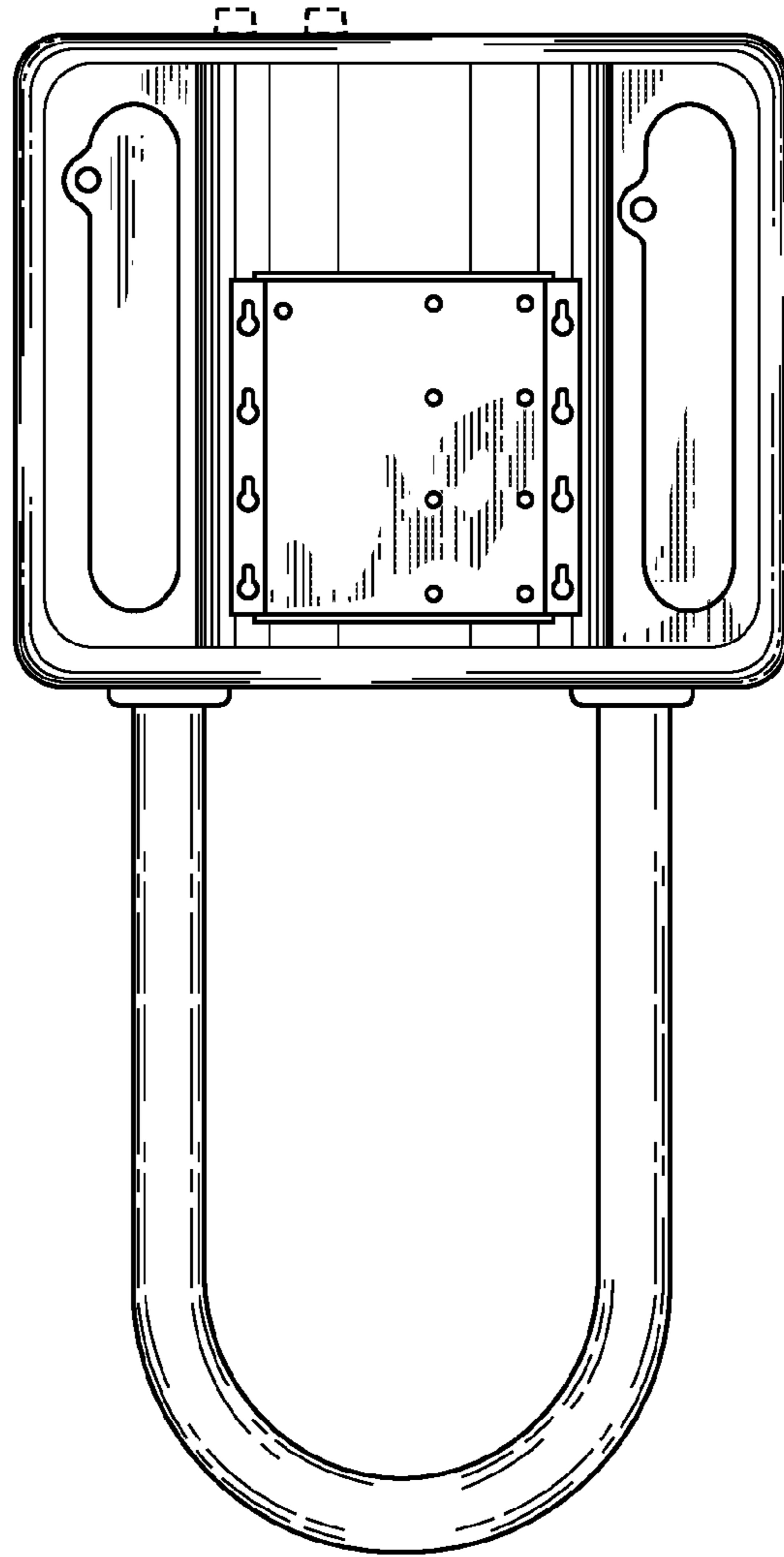


FIG. 5

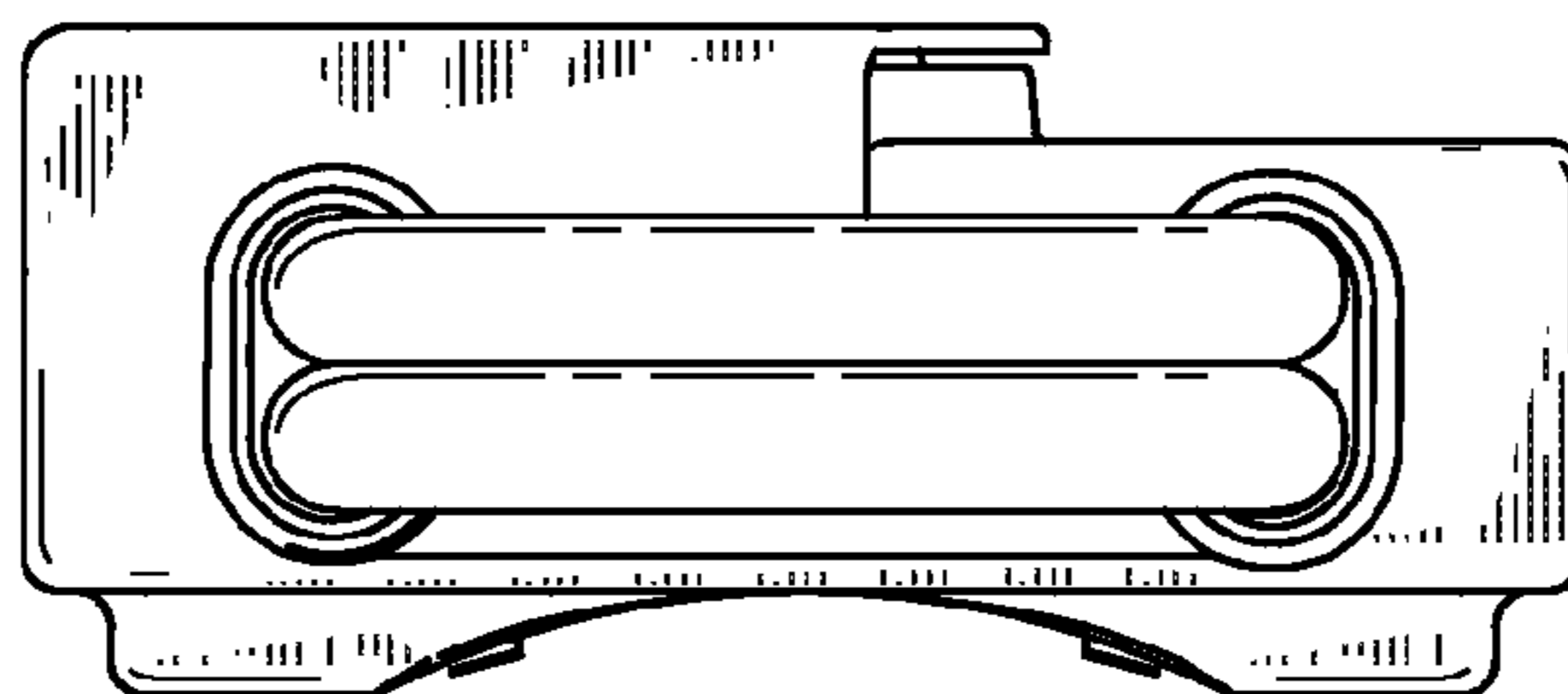


FIG. 6

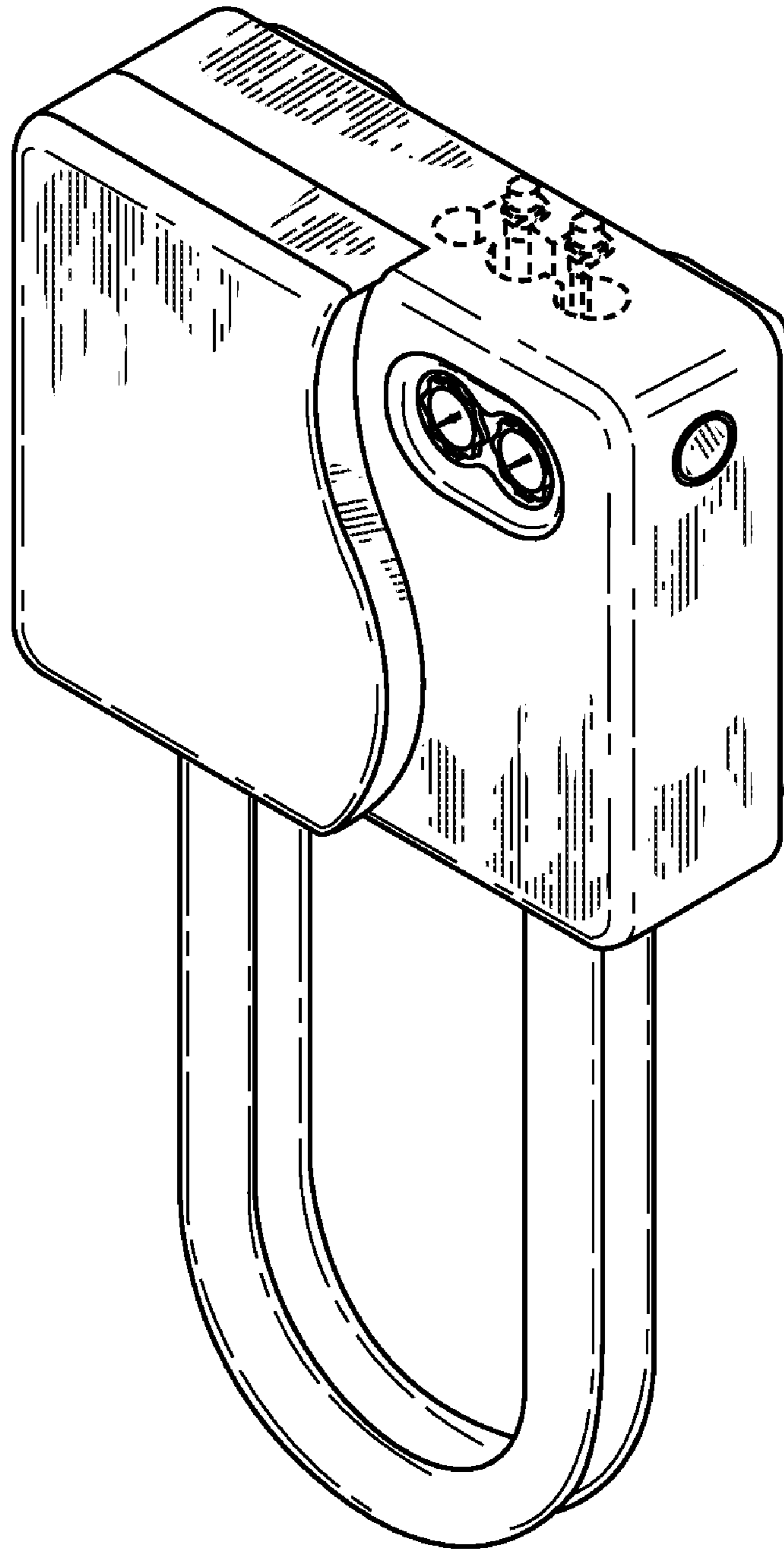


FIG. 7

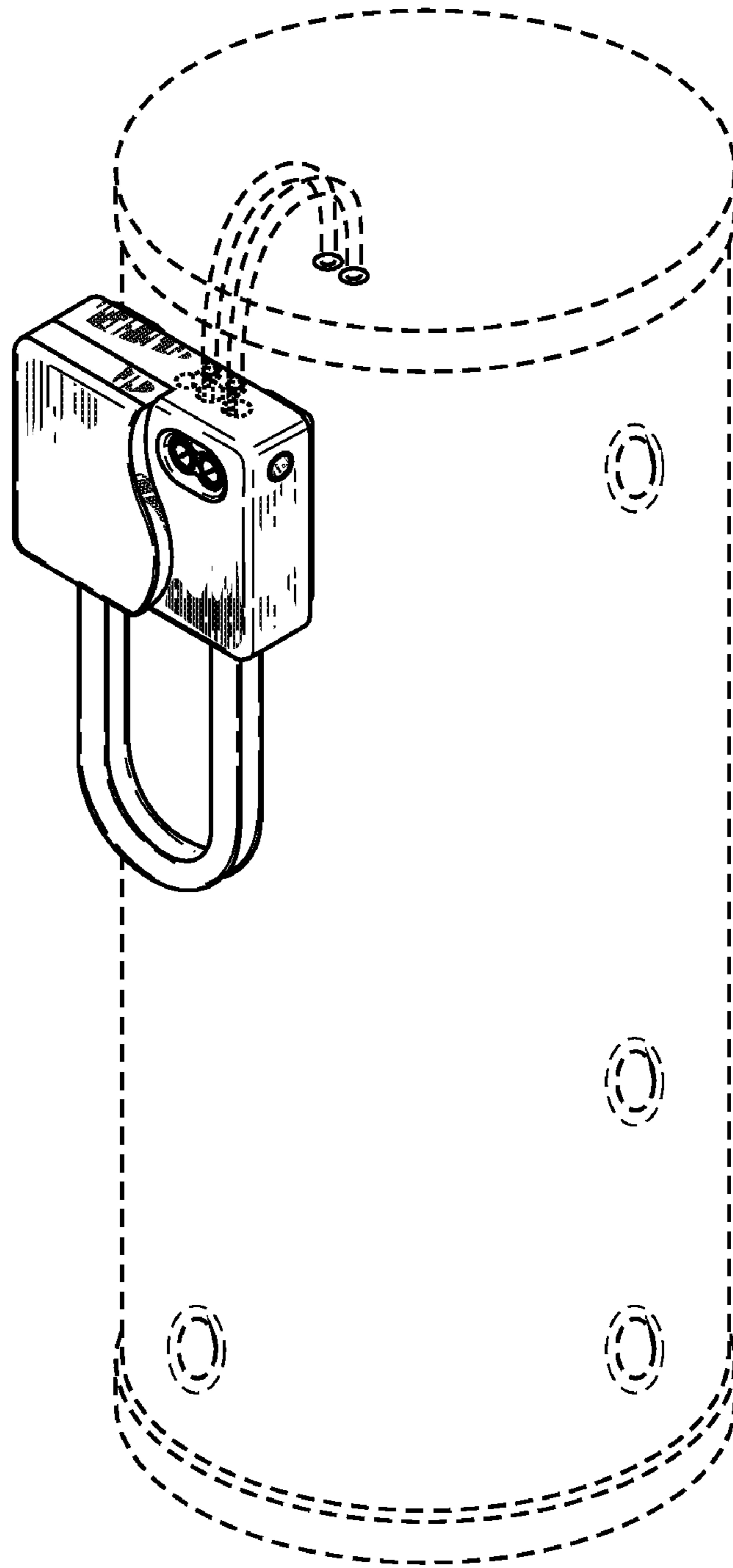


FIG. 8