



US00D608862S

(12) **United States Design Patent**
Bailey

(10) **Patent No.:** **US D608,862 S**

(45) **Date of Patent:** **** Jan. 26, 2010**

(54) **FAUCET BRIDGE ASSEMBLY**

(75) Inventor: **Jordan Bailey**, Noblesville, IN (US)

(73) Assignee: **Masco Corporation of Indiana**,
Indianapolis, IN (US)

(**) Term: **14 Years**

(21) Appl. No.: **29/334,615**

(22) Filed: **Mar. 30, 2009**

(51) **LOC (9) Cl.** **23-01**

(52) **U.S. Cl.** **D23/250**

(58) **Field of Classification Search** D23/238-243;
4/676-678; 137/801; D6/550

See application file for complete search history.

(56) **References Cited**

U.S. PATENT DOCUMENTS

D601,664 S * 10/2009 Bailey D23/241

* cited by examiner

Primary Examiner—Robert A Delehanty

(74) *Attorney, Agent, or Firm*—Edgar A. Zarins; Nirav D. Parikh

(57) **CLAIM**

The ornamental design for a faucet bridge assembly, as shown and described.

DESCRIPTION

FIG. 1 is a front perspective view of a faucet bridge assembly showing my new design;

FIG. 2 is a rear perspective view thereof;

FIG. 3 is a front elevational view thereof;

FIG. 4 is a rear elevational view thereof;

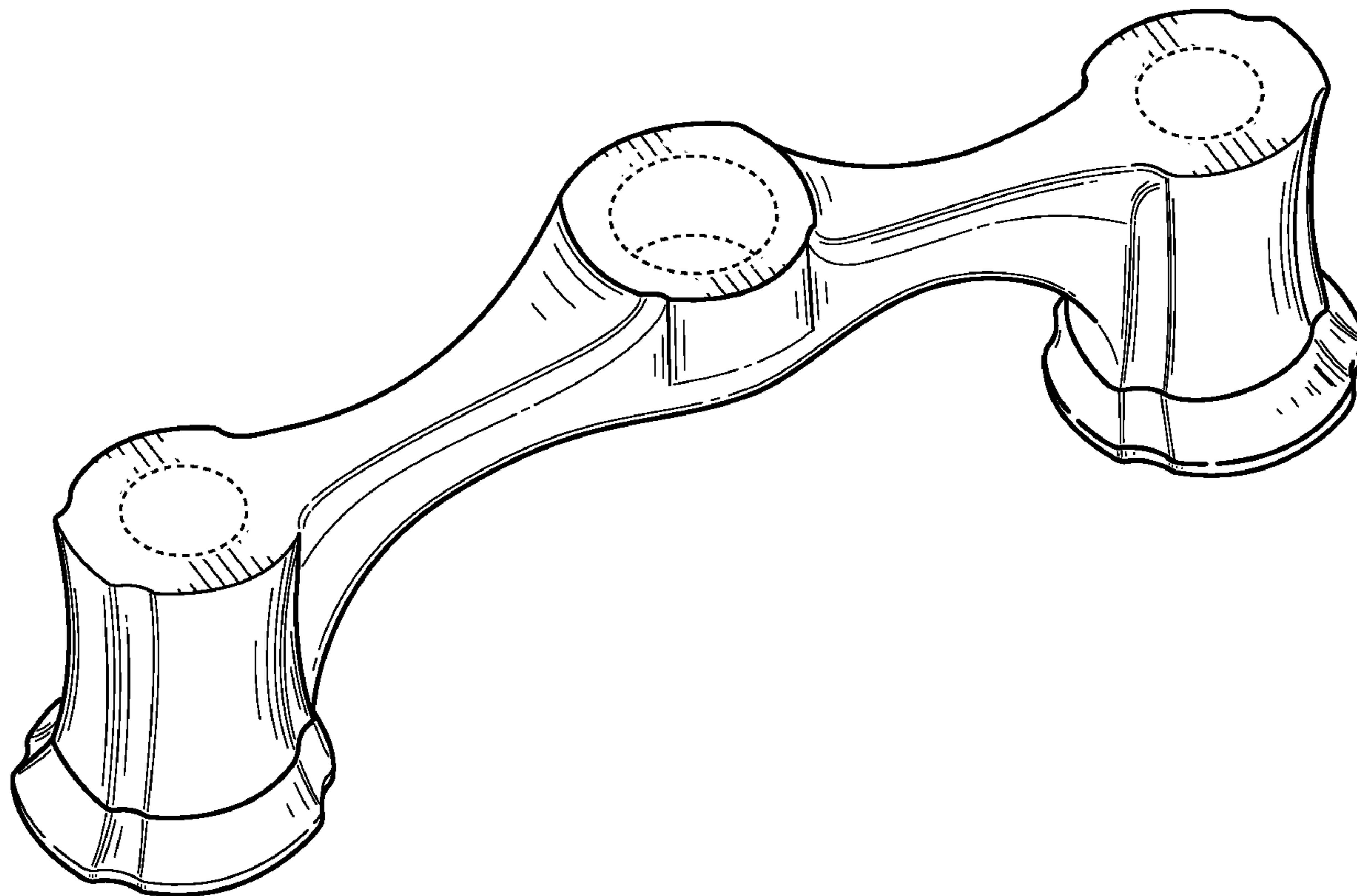
FIG. 5 is a top plan view thereof;

FIG. 6 is a right side elevational view thereof; and,

FIG. 7 is a left side elevational view thereof.

The broken lines in the drawings represent unclaimed portions of the faucet bridge assembly and form no part thereof.

1 Claim, 7 Drawing Sheets



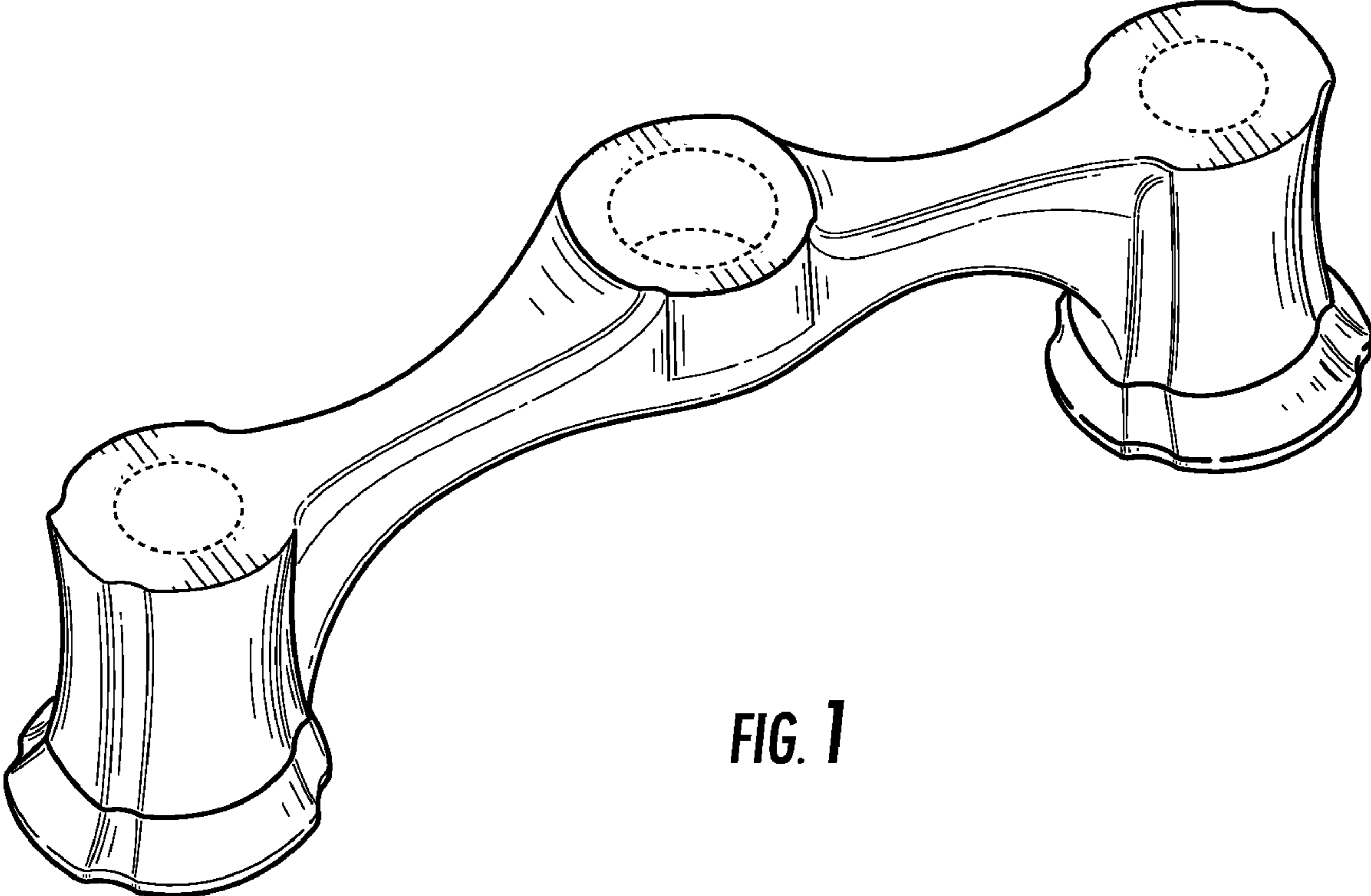


FIG. 1

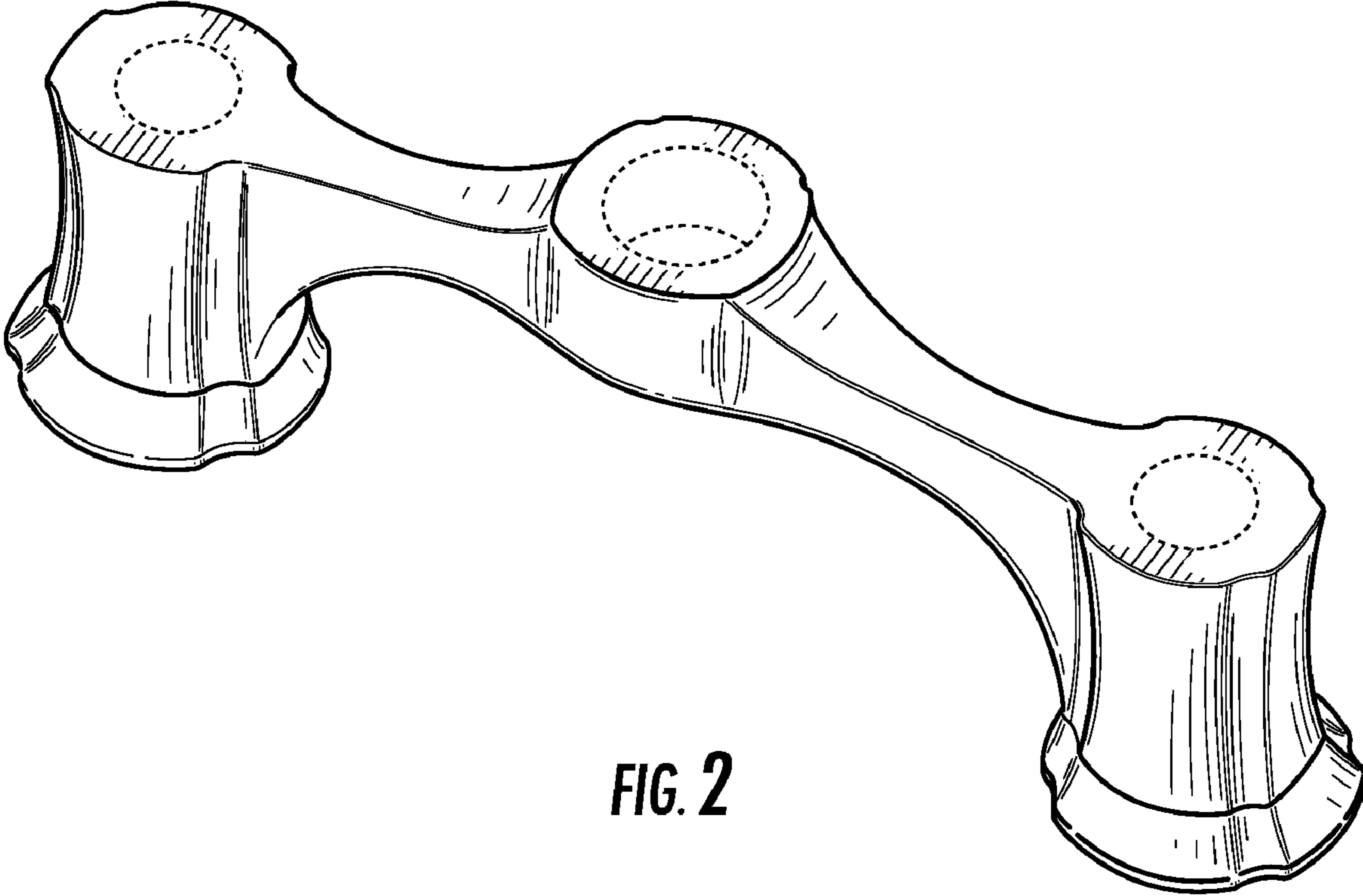


FIG. 2

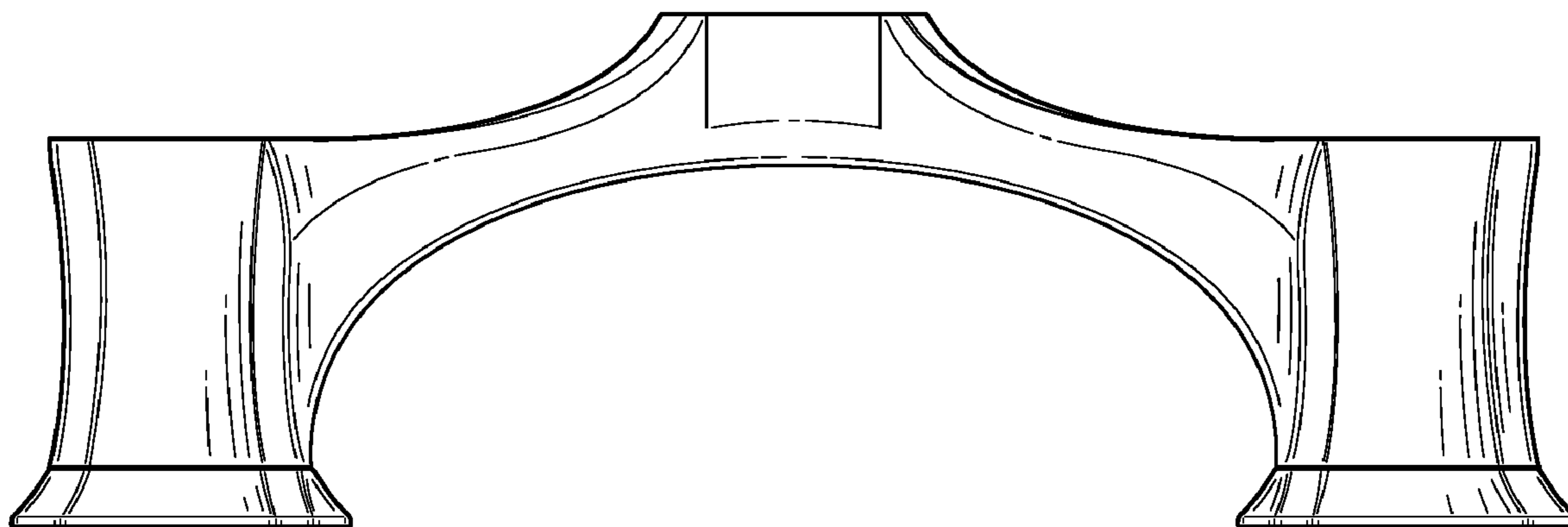


FIG. 3

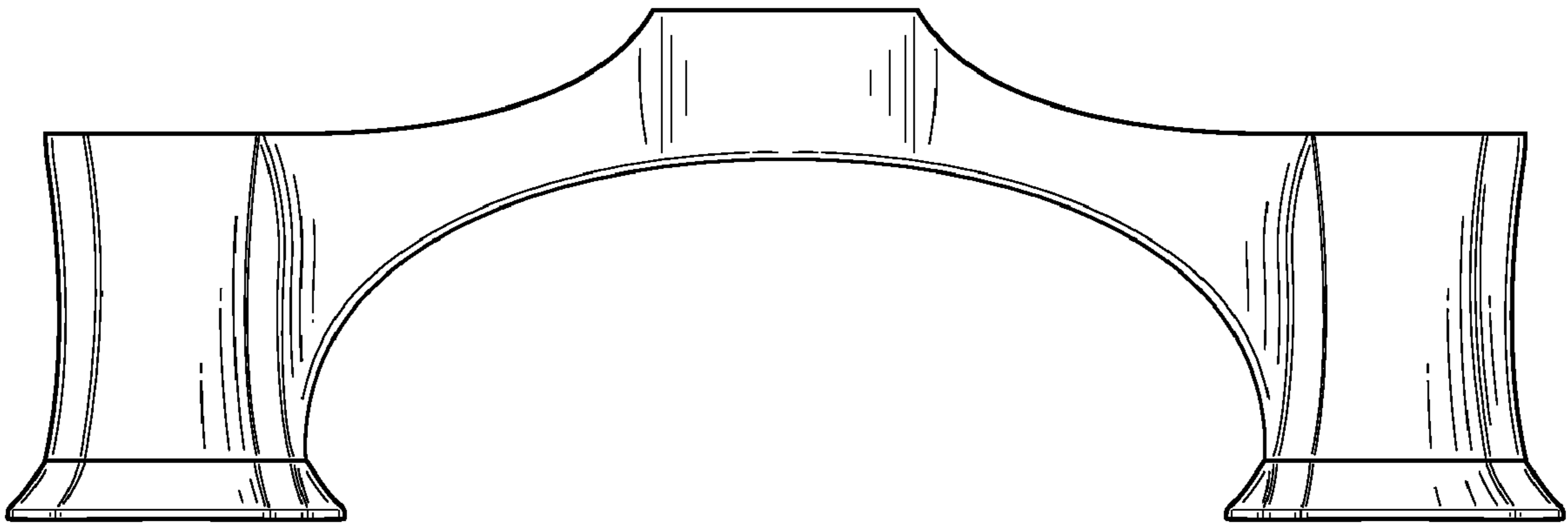


FIG. 4

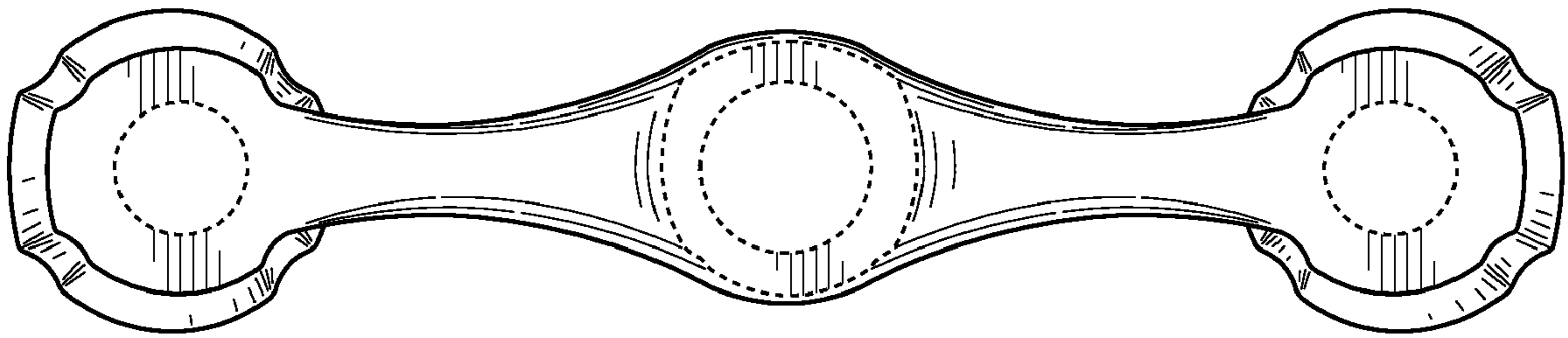


FIG. 5

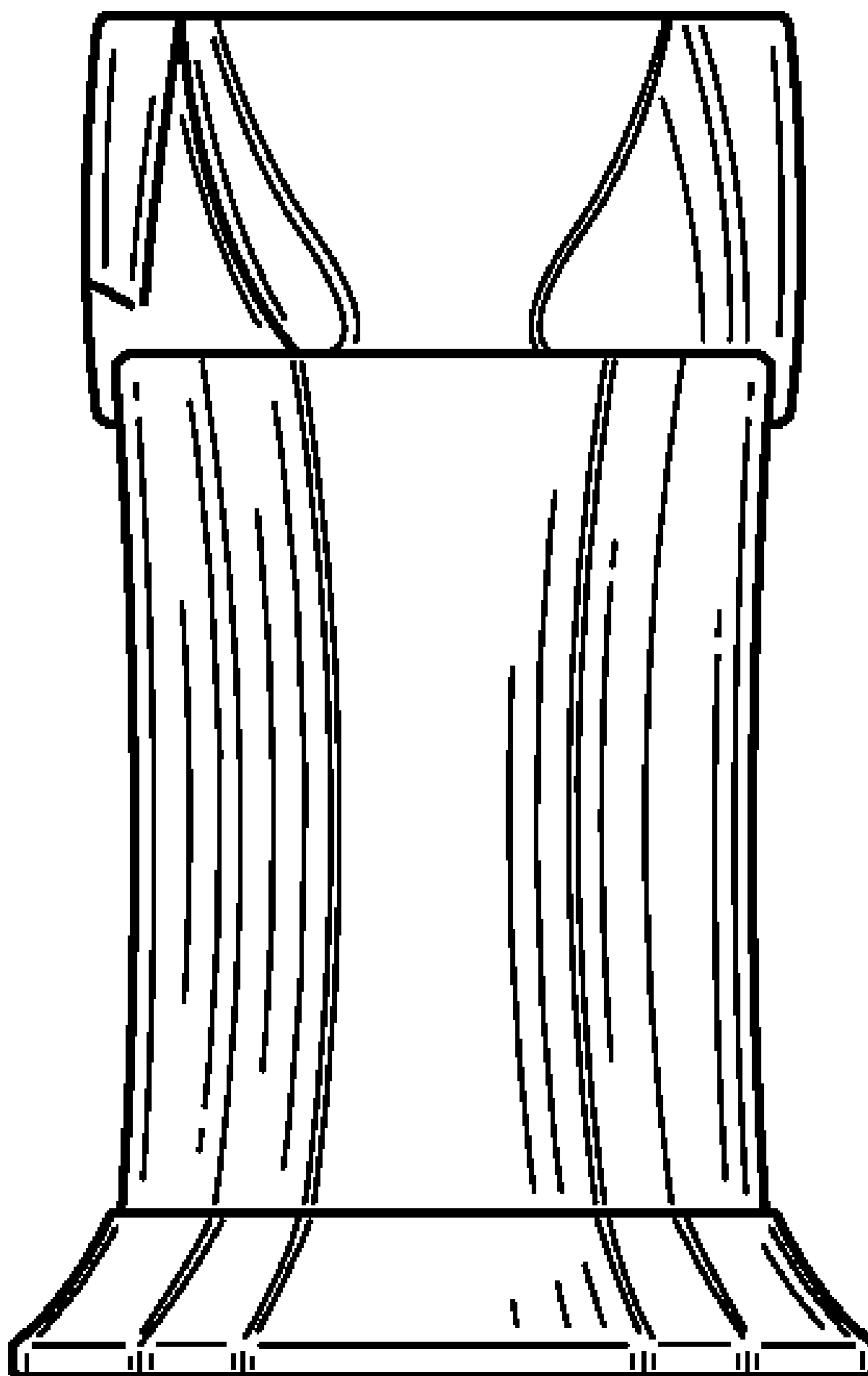


FIG. 6

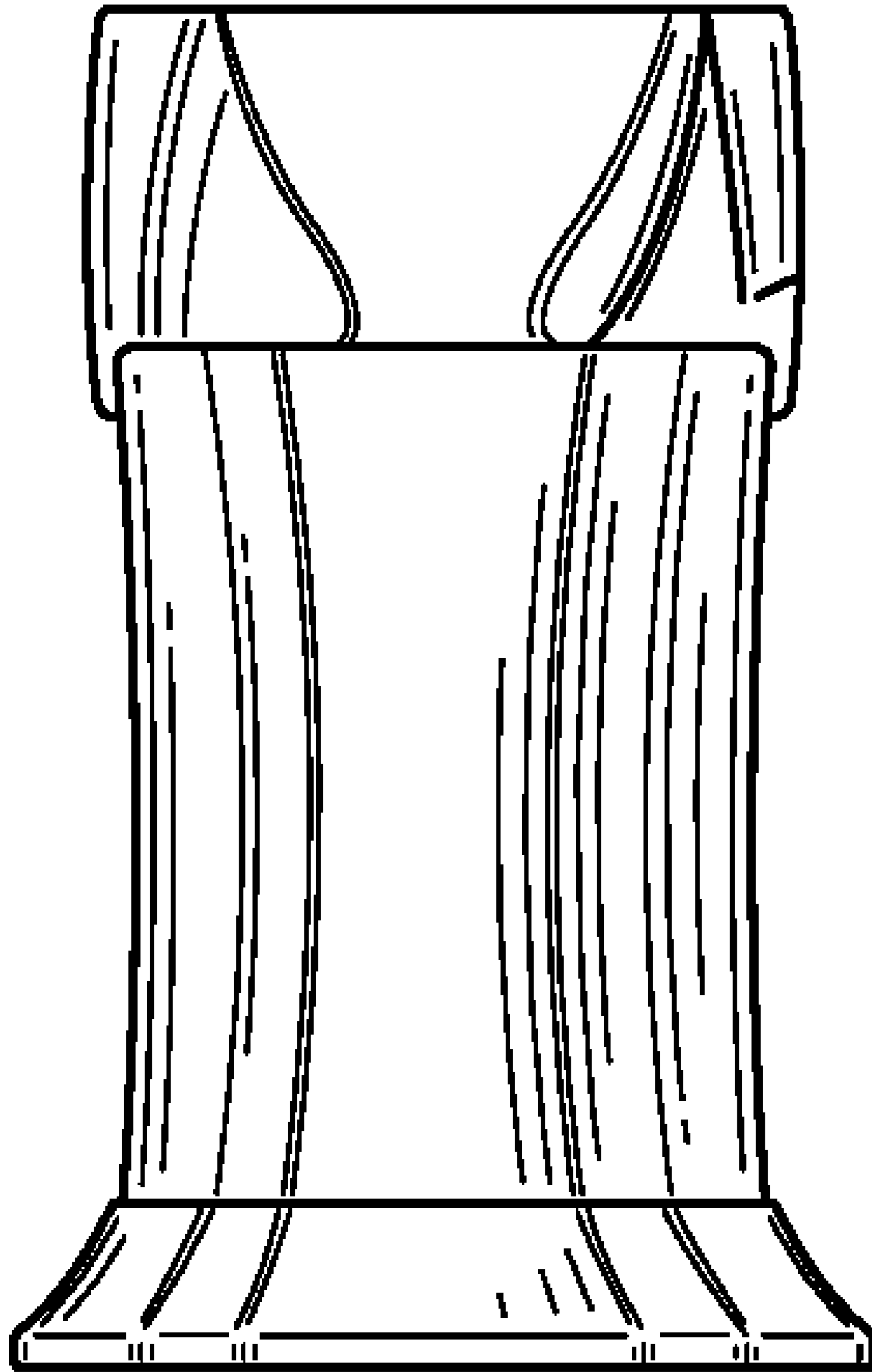


FIG. 7