

US00D608859S

(12) **United States Design Patent**
Schoenherr et al.

(10) **Patent No.:** **US D608,859 S**
(45) **Date of Patent:** **** Jan. 26, 2010**

(54) **FAUCET**

(75) Inventors: **Tom Schoenherr**, Stuttgart (DE);
Fabian Kollmann, Stuttgart (DE);
Erkan Bilgic, Stuttgart (DE)

(73) Assignee: **Hansgrohe AG**, Schiltach (DE)

(**) Term: **14 Years**

(21) Appl. No.: **29/335,268**

(22) Filed: **Apr. 13, 2009**

(30) **Foreign Application Priority Data**

Oct. 20, 2008 (EP) 001023352-0006

(51) **LOC (9) Cl.** **23-01**

(52) **U.S. Cl.** **D23/242**

(58) **Field of Classification Search** D23/238-243,
D23/250, 252-254; 4/676-678; 137/801,
137/359; 16/110.1; D8/350-353; D6/550
See application file for complete search history.

(56) **References Cited**

U.S. PATENT DOCUMENTS

D488,539 S * 4/2004 McKeone D23/255

D508,977 S * 8/2005 Otero D23/238
D518,153 S * 3/2006 Theberge D23/255
D529,589 S * 10/2006 Veltz et al. D23/255
D530,793 S * 10/2006 Sutopo D23/255
D532,872 S * 11/2006 Miyamoto D23/241
D567,907 S * 4/2008 Kohler et al. D23/238

* cited by examiner

Primary Examiner—Robert A Delehanty

(74) *Attorney, Agent, or Firm*—Nirav D. Parikh; Edgar A. Zarins

(57) **CLAIM**

The ornamental design for a faucet, as shown and described.

DESCRIPTION

FIG. 1 is a perspective view of a faucet showing our design;

FIG. 2 is a front elevational view thereof;

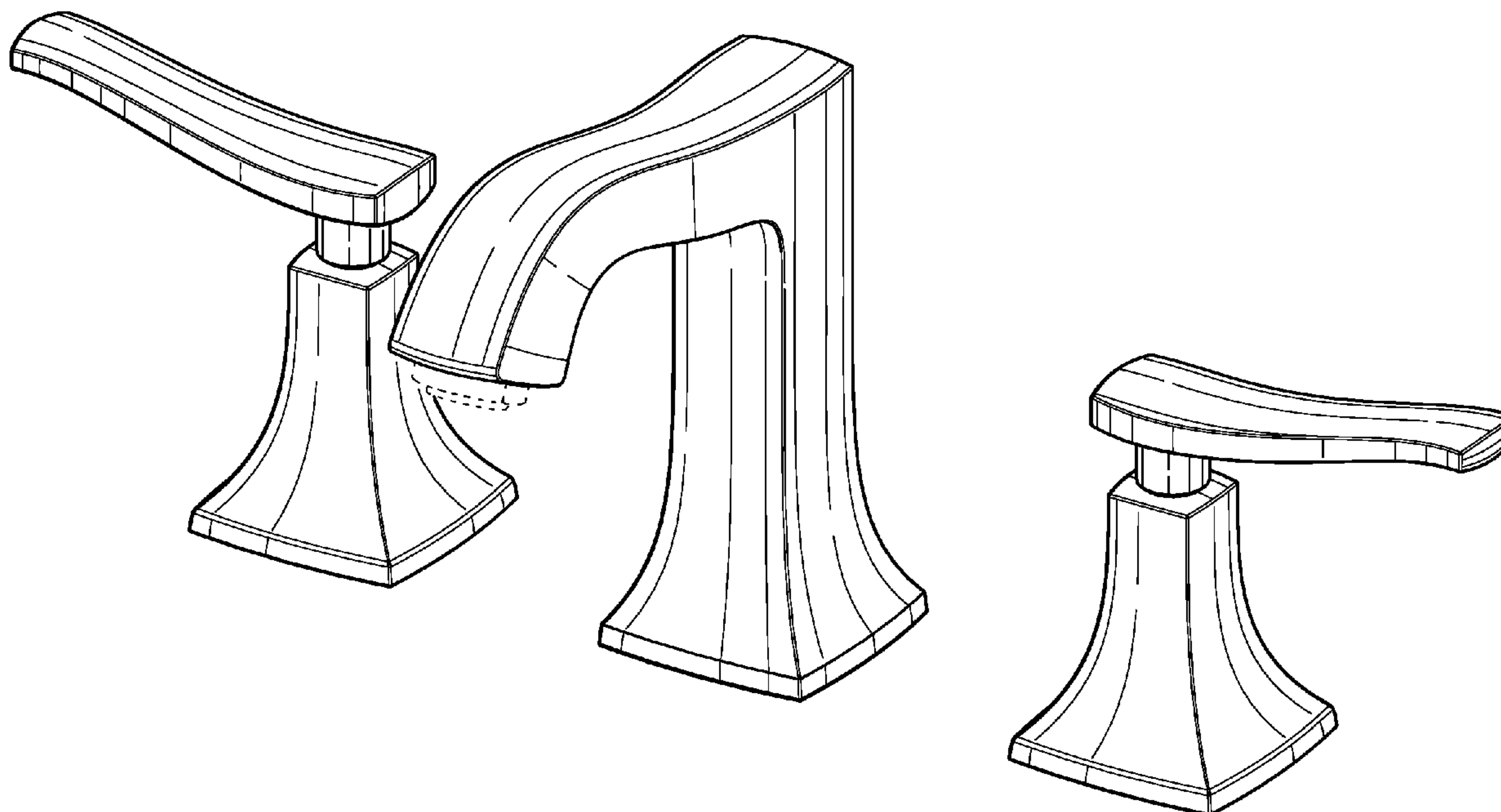
FIG. 3 is a rear elevational view thereof;

FIG. 4 is a left side elevational view thereof; the right side elevational view being a mirror image thereof; and,

FIG. 5 is a top plan view thereof.

The broken lines in the drawings represent unclaimed portions of the faucet and form no part thereof.

1 Claim, 5 Drawing Sheets



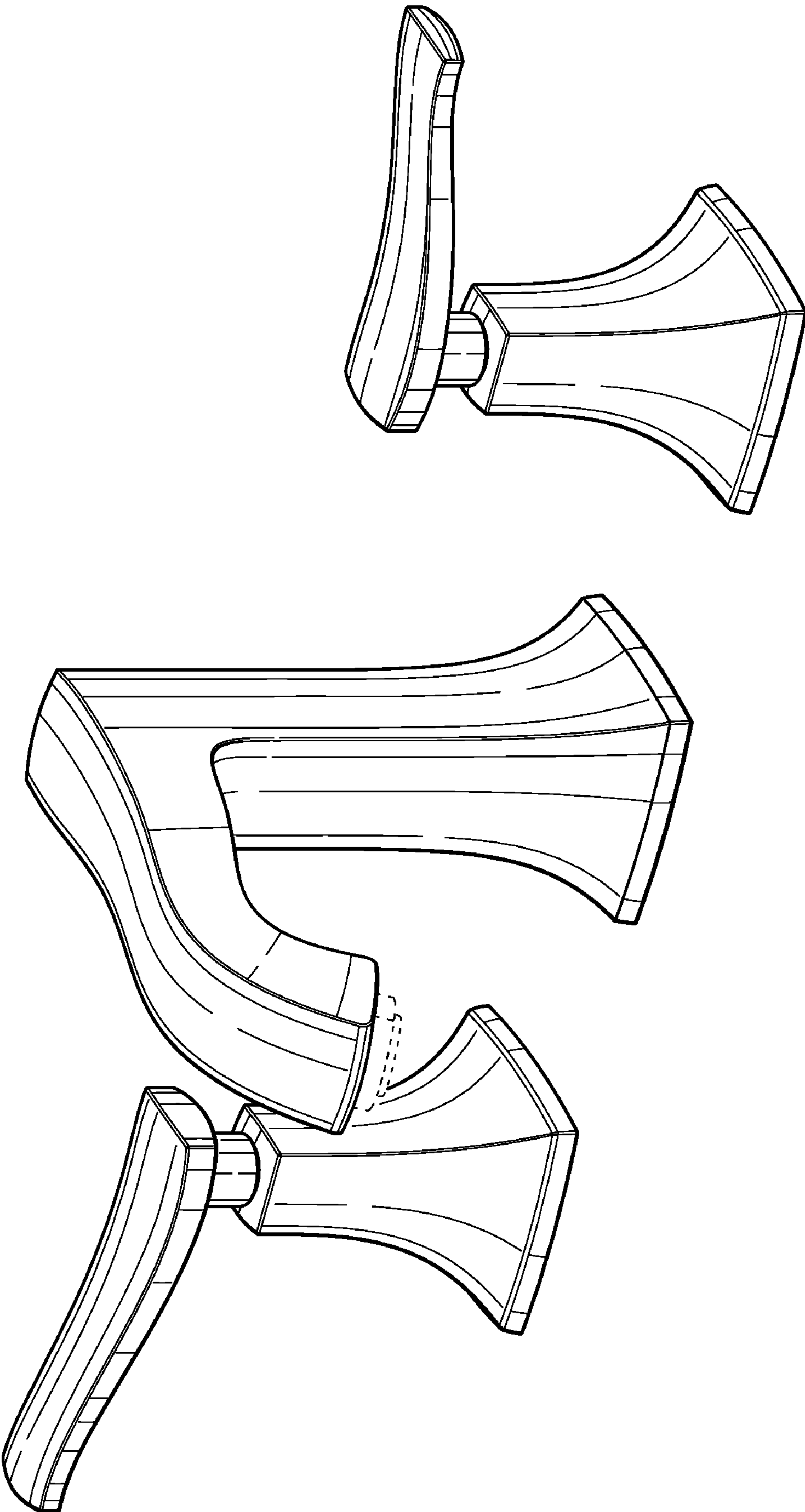


FIG. 1

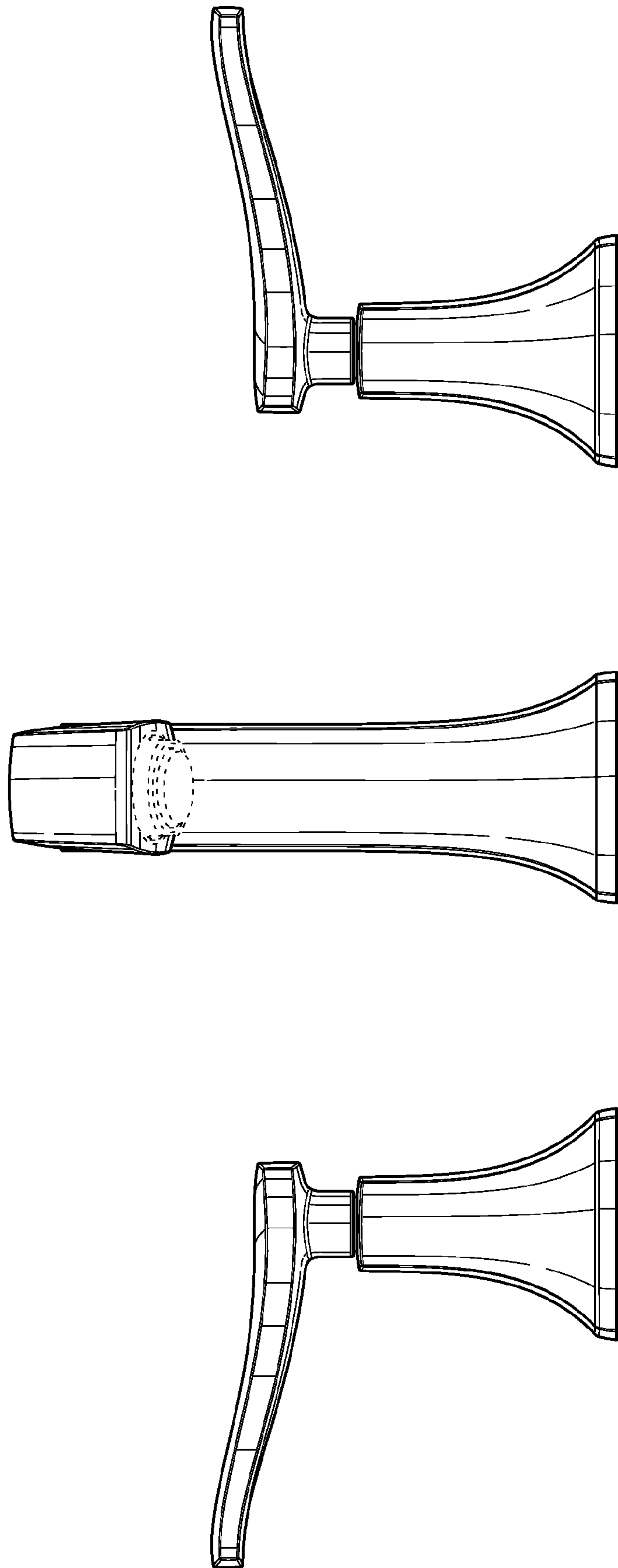


FIG. 2

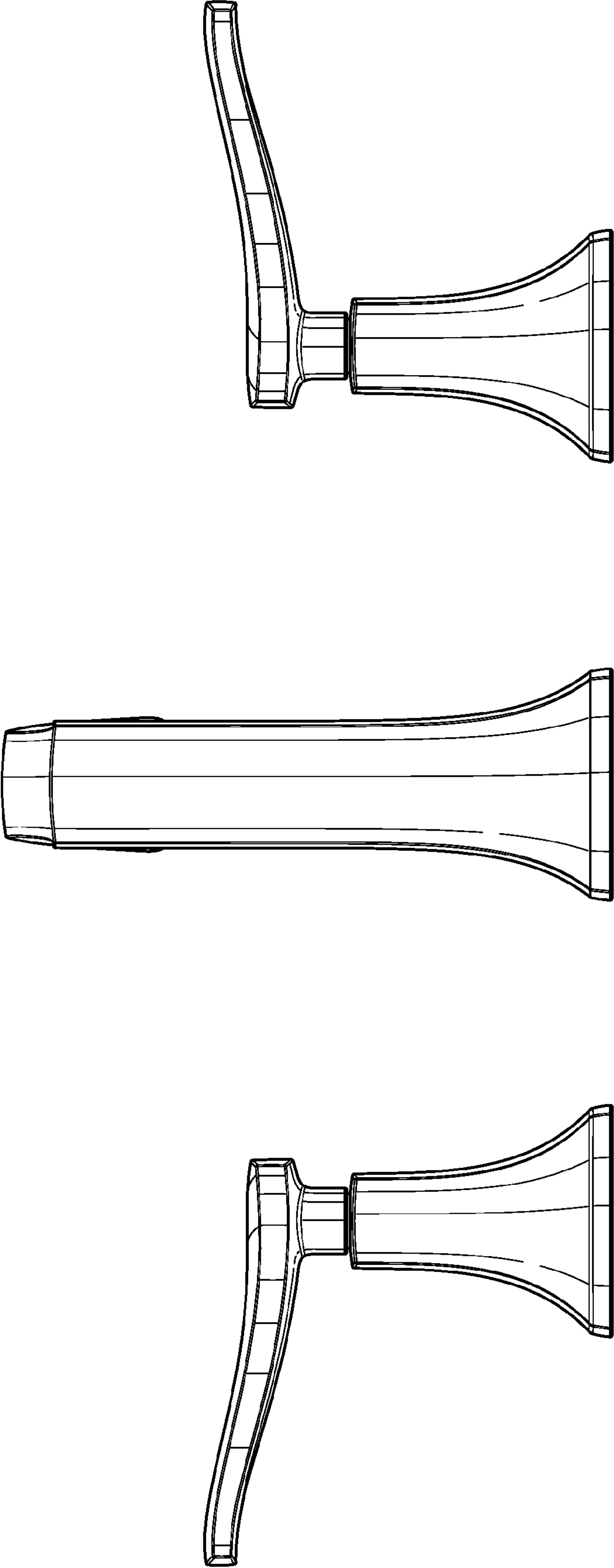


FIG. 3

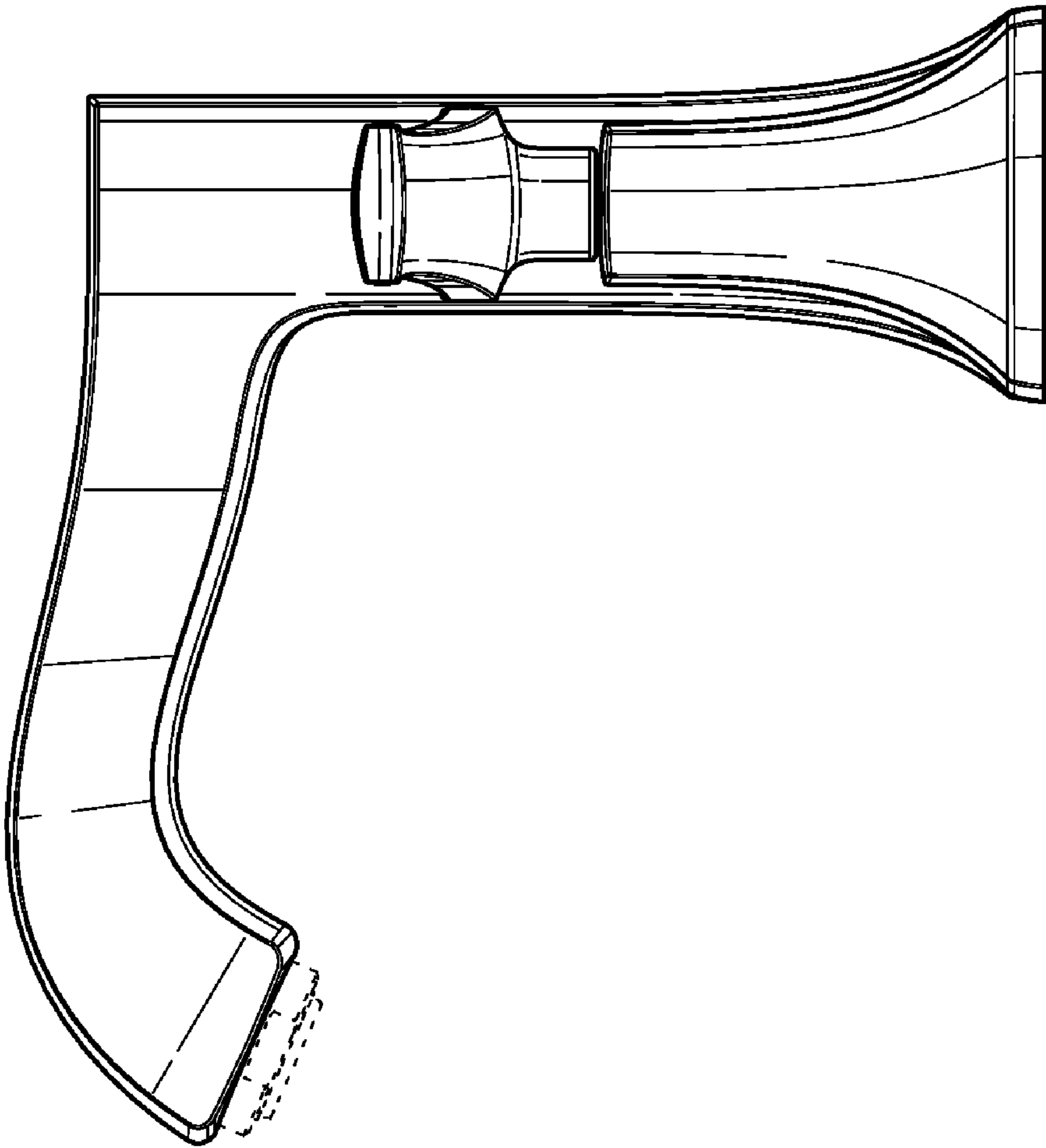


FIG. 4

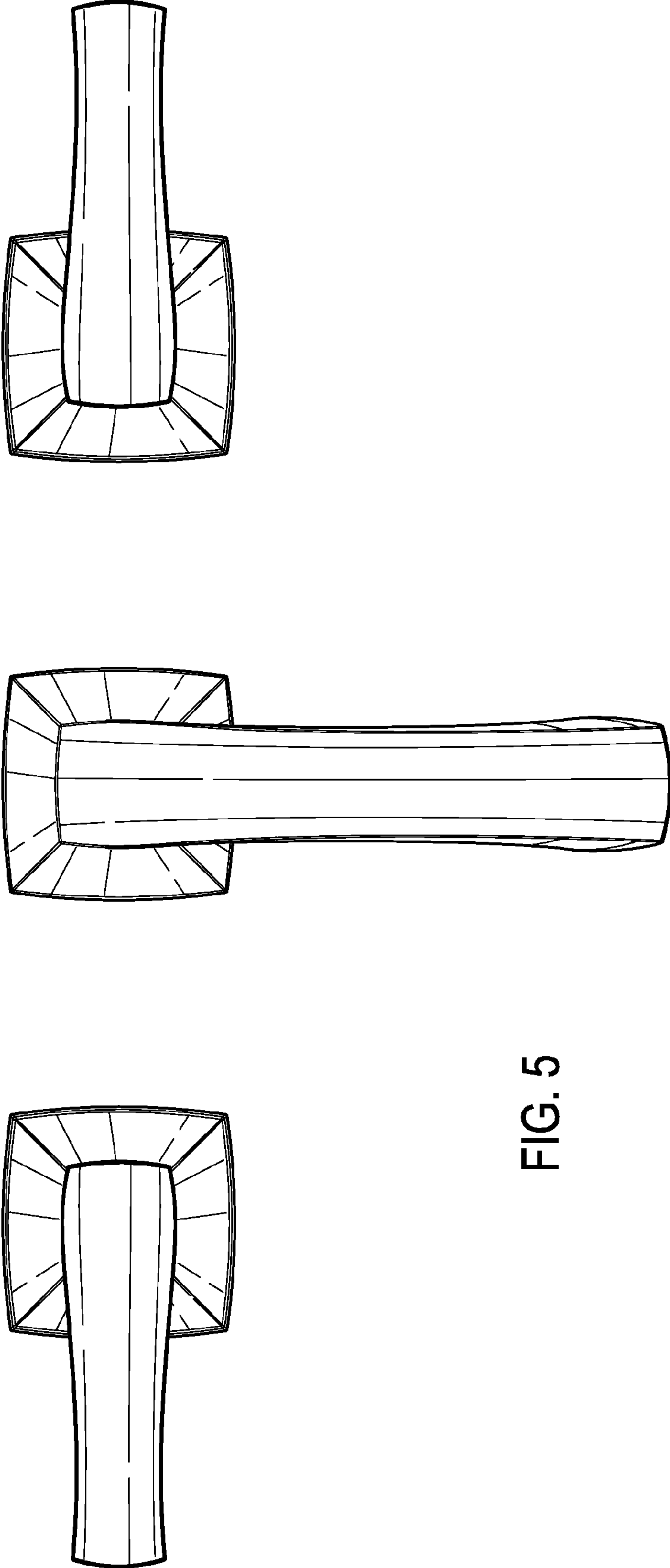


FIG. 5