



US00D608858S

(12) **United States Design Patent**
Baltz et al.

(10) **Patent No.:** **US D608,858 S**
(45) **Date of Patent:** **** Jan. 26, 2010**

(54) **COATING MATERIAL DISPENSING DEVICE**

(75) Inventors: **James P. Baltz**, Waterville, OH (US);
John Vanderhoef, Hyannis, MA (US)

(73) Assignee: **Illinois Tool Works Inc.**, Glenview, IL
(US)

(**) Term: **14 Years**

(21) Appl. No.: **29/304,894**

(22) Filed: **Mar. 10, 2008**

(51) **LOC (9) Cl.** **23-01**

(52) **U.S. Cl.** **D23/226**

(58) **Field of Classification Search** D23/213,
D23/223, 226, 229-230; 239/690-691, DIG. 14,
239/525-526; D8/29.1

See application file for complete search history.

(56) **References Cited**

U.S. PATENT DOCUMENTS

3,169,882 A	2/1965	Juvinall et al.
3,169,883 A	2/1965	Juvinall
3,557,821 A	1/1971	Siegel et al.
3,932,071 A	1/1976	Schaedler
3,940,061 A	2/1976	Gimple et al.
3,949,266 A	4/1976	Vogts et al.
3,964,683 A	6/1976	Gimple
3,990,609 A	11/1976	Grant
4,001,935 A	1/1977	Krohn et al.
4,002,777 A	1/1977	Juvinall et al.
4,020,393 A	4/1977	Porter
4,030,857 A	6/1977	Smith, Jr.
4,037,561 A	7/1977	LaFave et al.
4,066,041 A	1/1978	Buschor et al.
4,081,904 A	4/1978	Krohn et al.
4,105,164 A	8/1978	Lau et al.

(Continued)

FOREIGN PATENT DOCUMENTS

EP 0 734 777 A2 10/1996

GB	2 153 260 A	8/1985
WO	01/85353 A1	11/2001
WO	2005/014177 A1	2/2005

OTHER PUBLICATIONS

“REA-IV and REA-IVL Delta Electrostatic Spray Guns, Dual Atomization Technology”, Service Manual, ITW Ransburg Electrostatic Systems, 1998, 27 pages, Addendum, 2005, 4 pages.

(Continued)

Primary Examiner—Robin V Webster

(74) *Attorney, Agent, or Firm*—Barnes & Thornburg LLP

(57) **CLAIM**

The ornamental design for a coating material dispensing device, as shown and described.

DESCRIPTION

FIG. 1 illustrates a perspective view, from the front right side, of a coating material dispensing device showing our new design;

FIG. 2 illustrates a right side elevational view of the COATING material dispensing device illustrated in FIG. 1;

FIG. 3 illustrates a left side elevational view of the COATING material dispensing device illustrated in FIGS. 1-2;

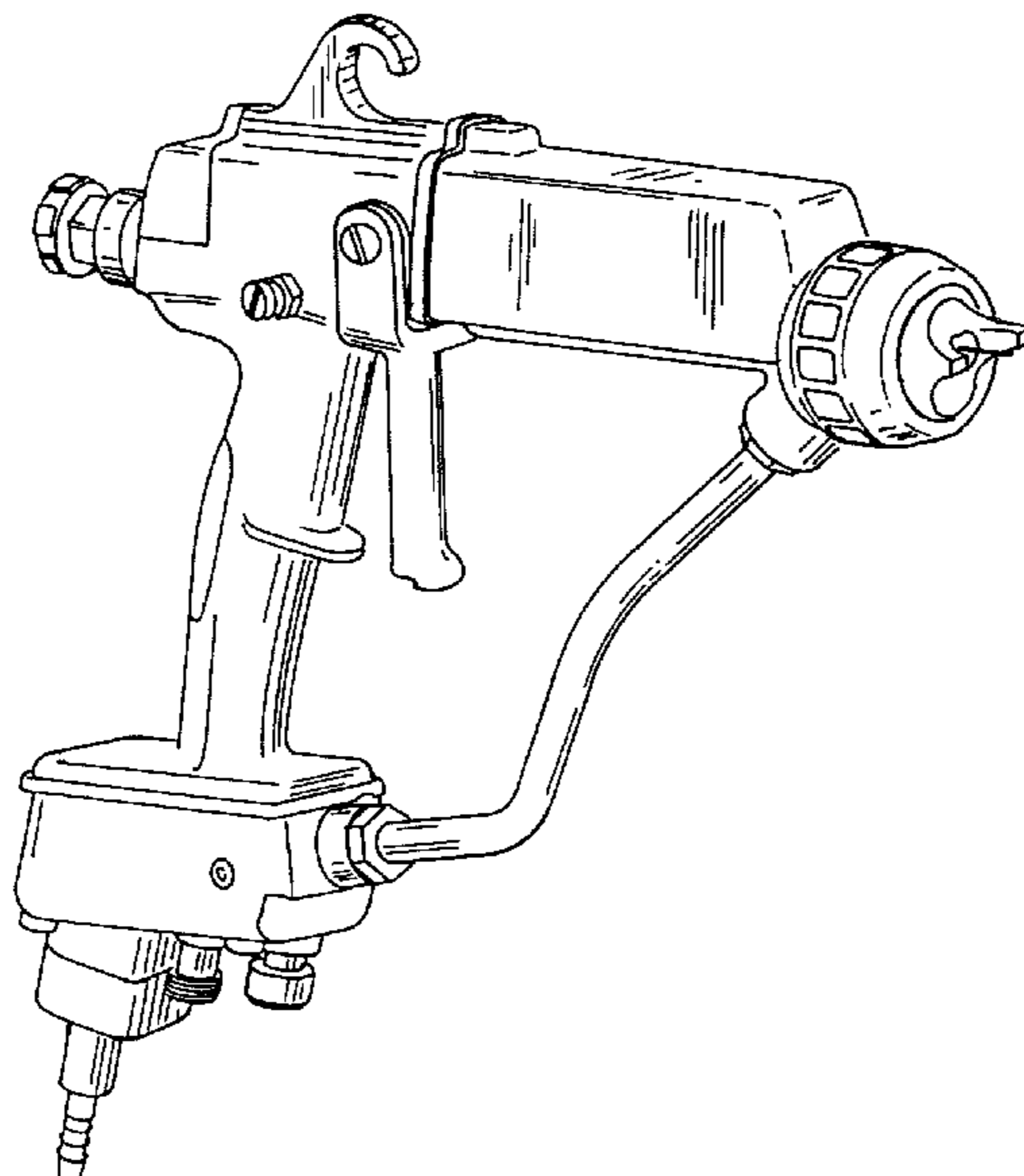
FIG. 4 illustrates a top plan view of the coating material dispensing device illustrated in FIGS. 1-3;

FIG. 5 illustrates a bottom plan view of the coating material dispensing device illustrated in FIGS. 1-4;

FIG. 6 illustrates a rear elevational view of the coating material dispensing device illustrated in FIGS. 1-5; and,

FIG. 7 illustrates a front elevational view of the coating material dispensing device illustrated in FIGS. 1-6.

1 Claim, 3 Drawing Sheets



US D608,858 S

U.S. PATENT DOCUMENTS					
			5,093,625 A	3/1992	Lunzer
			D325,241 S	4/1992	Buschor
4,116,364 A	9/1978	Culbertson et al.	5,118,080 A	6/1992	Hartmann
4,122,327 A	10/1978	Vogts et al.	5,119,992 A	6/1992	Grime
4,133,483 A	1/1979	Henderson	5,178,330 A	1/1993	Rodgers
4,144,564 A	3/1979	Lamb	5,180,104 A	1/1993	Mellette
D252,097 S	6/1979	Probst et al.	5,209,365 A	5/1993	Wood
4,165,022 A	8/1979	Bentley et al.	5,209,405 A	5/1993	Robinson et al.
4,169,545 A	10/1979	Decker	5,209,740 A	5/1993	Bryant et al.
4,171,100 A	10/1979	Benedek et al.	5,218,305 A	6/1993	Lunzer
4,174,070 A	11/1979	Lau et al.	5,236,129 A	8/1993	Grime et al.
4,174,071 A	11/1979	Lau et al.	5,236,425 A	8/1993	Kurtz et al.
4,214,709 A	7/1980	Scull et al.	5,284,299 A	2/1994	Medlock
4,216,915 A	8/1980	Hengartner et al.	5,284,301 A	2/1994	Kieffer
4,219,865 A	8/1980	Malcolm	5,289,974 A	3/1994	Grime et al.
4,248,386 A	2/1981	Morle	5,289,977 A	3/1994	Lind et al.
4,266,721 A	5/1981	Sickles	5,303,865 A	4/1994	Bert
4,285,446 A	8/1981	Rapp et al.	5,330,108 A	7/1994	Grime et al.
4,289,278 A	9/1981	Itoh	5,332,156 A	7/1994	Wheeler
4,290,091 A	9/1981	Malcolm	5,332,159 A	7/1994	Grime et al.
4,331,298 A	5/1982	Bentley et al.	D349,387 S	8/1994	Crabbe
RE30,968 E	6/1982	Grant	D350,387 S	9/1994	Feitel et al.
4,361,283 A	11/1982	Hetherington et al.	5,351,887 A	10/1994	Heterington et al.
4,377,838 A	3/1983	Levey et al.	5,395,054 A	3/1995	Wheeler
D270,179 S	8/1983	Grime	5,400,971 A	3/1995	Maugans et al.
D270,180 S	8/1983	Grime	5,553,788 A	9/1996	Del Gaone et al.
D270,367 S	8/1983	Grime	5,582,350 A	12/1996	Kosmyna et al.
D270,368 S	8/1983	Grime	5,618,001 A	4/1997	Del Gaone et al.
4,401,268 A	8/1983	Pomponi, Jr.	5,639,027 A	6/1997	Fritz
4,433,812 A	2/1984	Grime	5,647,543 A	7/1997	Ma
4,437,614 A	3/1984	Garcowski	RE35,769 E	4/1998	Grime et al.
4,453,670 A	6/1984	Sirovy	5,803,313 A	9/1998	Flatt et al.
4,483,483 A	11/1984	Grime	5,829,679 A	11/1998	Strong
4,491,276 A	1/1985	Reeves	5,836,517 A	11/1998	Burns et al.
4,513,913 A	4/1985	Smith	5,857,625 A *	1/1999	Klein et al. 239/289
4,529,131 A	7/1985	Rutz	5,868,840 A *	2/1999	Klein et al. 118/300
4,537,357 A	8/1985	Culbertson et al.	RE36,378 E	11/1999	Mellette
4,567,911 A	2/1986	Kedem	6,179,223 B1	1/2001	Sherman et al.
4,572,438 A	2/1986	Traylor	6,189,809 B1	2/2001	Schwebemeyer
4,606,501 A	8/1986	Bate et al.	6,276,616 B1	8/2001	Jenkins
4,613,082 A	9/1986	Gimple et al.	D457,599 S *	5/2002	Karwoski et al. D23/226
D287,266 S	12/1986	Knetl et al.	6,402,058 B2	6/2002	Kaneko et al.
4,702,420 A	10/1987	Rath, deceased	6,460,787 B1	10/2002	Hartle et al.
4,747,546 A	5/1988	Talacko	6,488,264 B2	12/2002	Wiklund
4,759,502 A	7/1988	Pomponi, Jr. et al.	6,572,029 B1	6/2003	Holt
4,760,962 A	8/1988	Wheeler	6,669,112 B2	12/2003	Reetz, III et al.
4,770,117 A	9/1988	Hetherington et al.	6,679,193 B2	1/2004	Shutic et al.
4,819,879 A	4/1989	Sharpless et al.	6,698,670 B1	3/2004	Gosis et al.
4,828,218 A	5/1989	Medlock	6,712,292 B1	3/2004	Gosis et al.
4,844,342 A	7/1989	Foley	RE38,526 E	6/2004	Hansinger et al.
D303,139 S	8/1989	Morgan	6,758,425 B2	7/2004	Michael
D305,057 S	12/1989	Morgan	6,776,362 B2	8/2004	Kawamoto et al.
4,890,190 A	12/1989	Hemming	6,790,285 B2	9/2004	Matsumoto
D305,452 S	1/1990	Morgan	6,796,519 B1	9/2004	Knobbe et al.
D305,453 S	1/1990	Morgan	6,817,553 B2	11/2004	Steur
4,911,367 A	3/1990	Lasley	6,854,672 B2	2/2005	Allen
4,921,172 A	5/1990	Belmain et al.	6,877,681 B2	4/2005	Hartle et al.
4,927,079 A	5/1990	Smith	6,916,023 B2	7/2005	Alexander et al.
4,934,603 A	6/1990	Lasley	6,929,698 B2	8/2005	Shutic et al.
4,934,607 A	6/1990	Lasley	6,951,309 B2	10/2005	Buschor et al.
D313,064 S *	12/1990	Lind et al. D23/226	6,955,724 B2	10/2005	Dankert
4,978,075 A	12/1990	Lind et al.	6,964,382 B2 *	11/2005	Alexander et al. 239/526
4,993,645 A	2/1991	Buschor	7,143,963 B2	12/2006	Tani et al.
5,022,590 A	6/1991	Buschor	7,166,164 B2	1/2007	Shutic et al.
D318,712 S	7/1991	Buschor	7,217,442 B2	5/2007	Wilt et al.
5,039,019 A	8/1991	Weinstein et al.	D545,943 S *	7/2007	Rodgers et al. D23/226
5,054,687 A	10/1991	Burns et al.	7,247,205 B2	7/2007	Shutic et al.
5,063,350 A	11/1991	Hemming et al.	7,292,322 B2	11/2007	Boroditsky et al.
5,064,119 A	11/1991	Mellette	7,296,759 B2	11/2007	Alexander et al.
5,073,709 A	12/1991	Lunzer et al.	7,296,760 B2	11/2007	Alexander et al.
5,074,466 A	12/1991	Santiago	2003/0006322 A1	1/2003	Hartle et al.
5,080,289 A	1/1992	Lunzer	2004/0195405 A1	10/2004	Healy
5,090,623 A	2/1992	Burns et al.	2006/0081729 A1	4/2006	Nagai

2006/0283386 A1 12/2006 Alexander et al.

OTHER PUBLICATIONS

“Automatic R-E-A III Electrostatic Spray or R-E-A III-L Electrostatic HVLP Spray”, ITW Ransburg Electrostatic Systems, 1996, 2 pages.

“Automatic R-E-M Air-Assisted Airless Electrostatic Spray Gun”, ITW Ransburg Electrostatic Systems, 1995, 2 pages.

REA-90A and REA-90LA Automatic Electrostatic Spray Guns, Service Manual, ITW Ransburg, 2006, 44 pages.

“M90 Handguns”, Service Manual, Ransburg, 2005, 48 pages.

“REA-70 and REA-70L Electrostatic Spray Guns Dual Atomization Technology”, Service Manual, Ransburg, 41 pages.

* cited by examiner

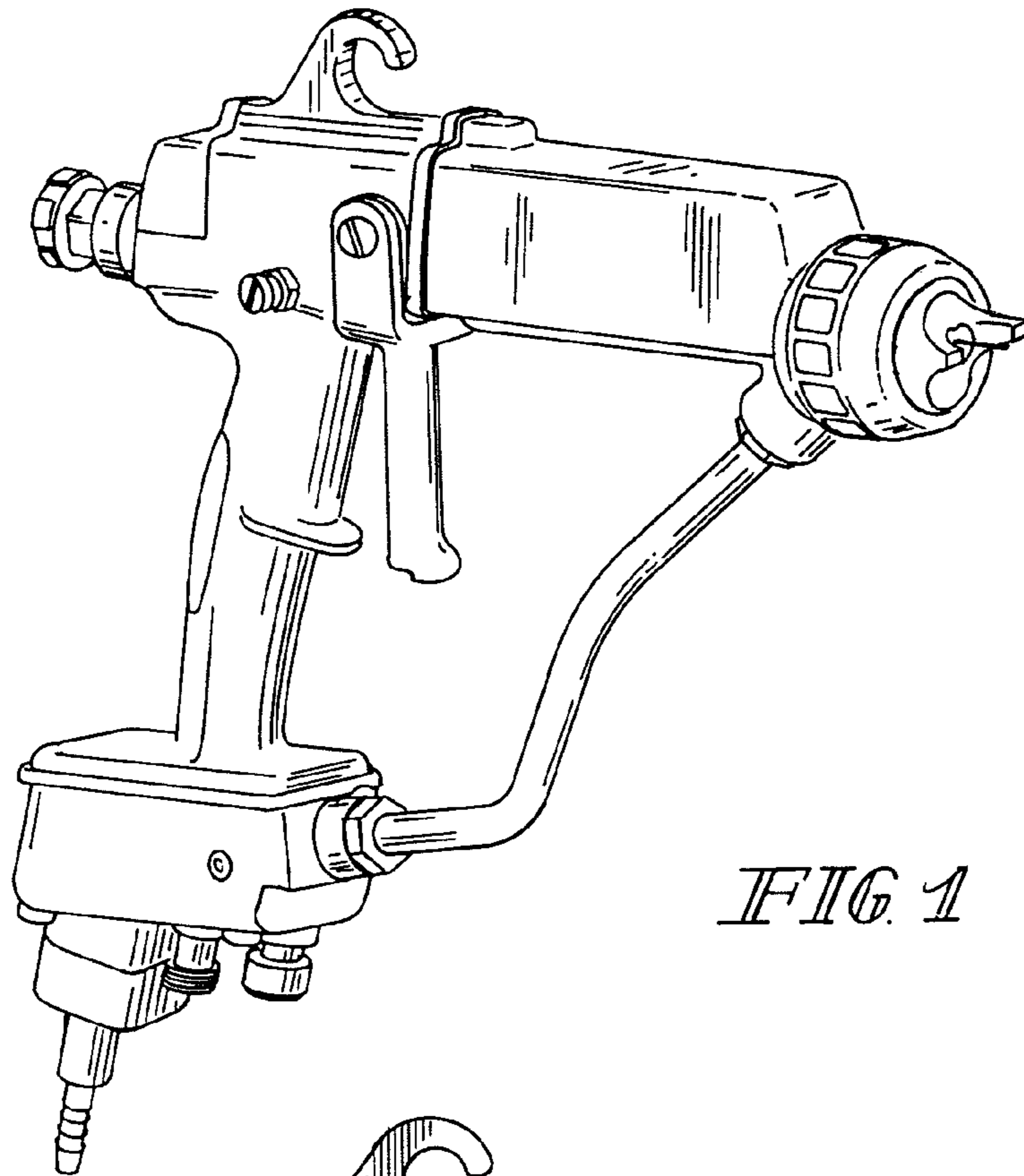


FIG. 1

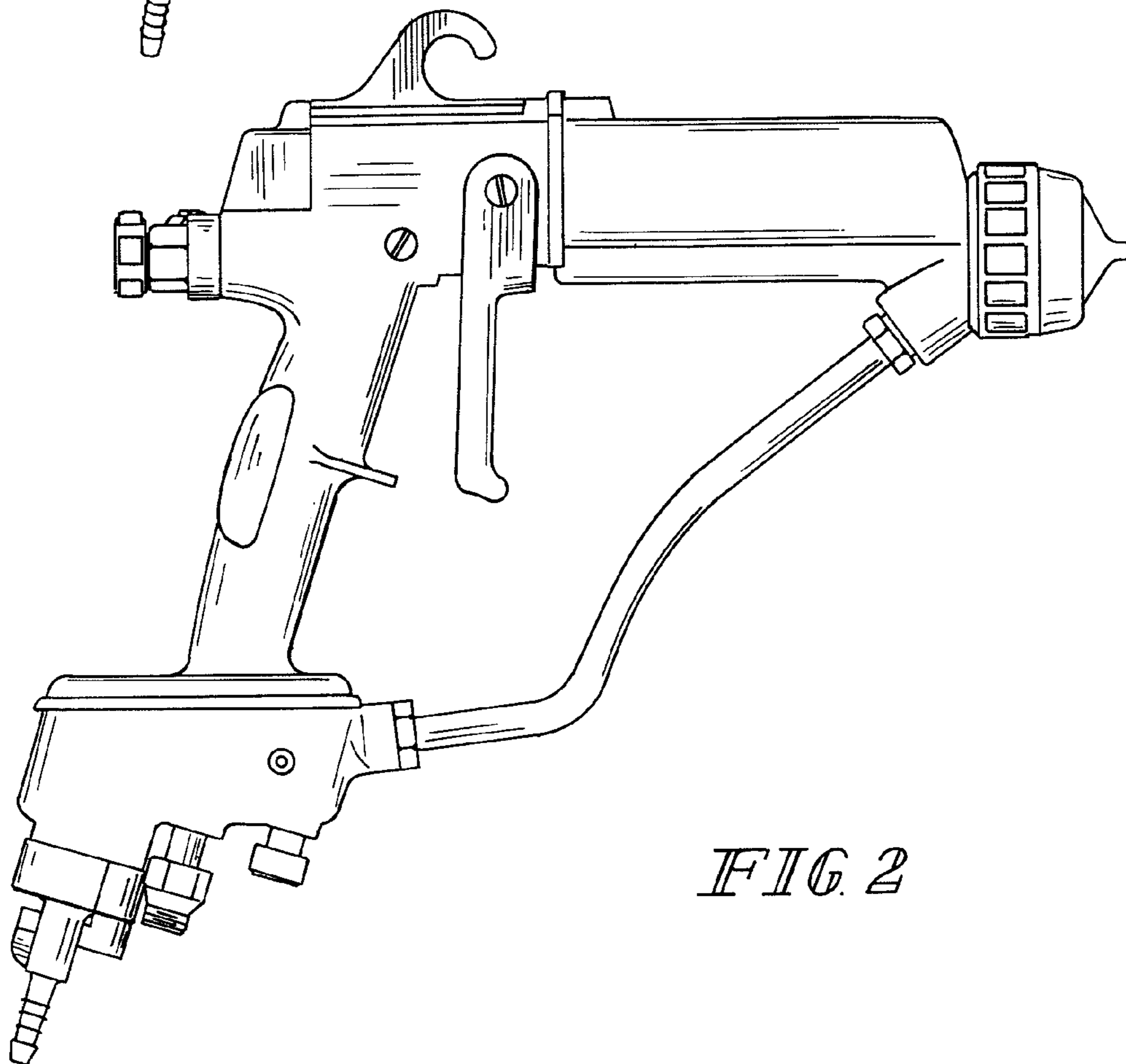
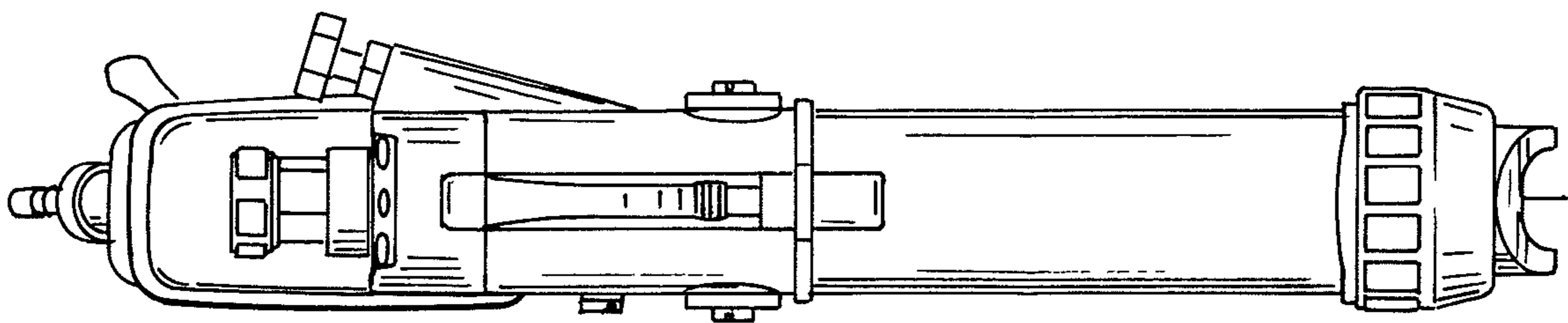
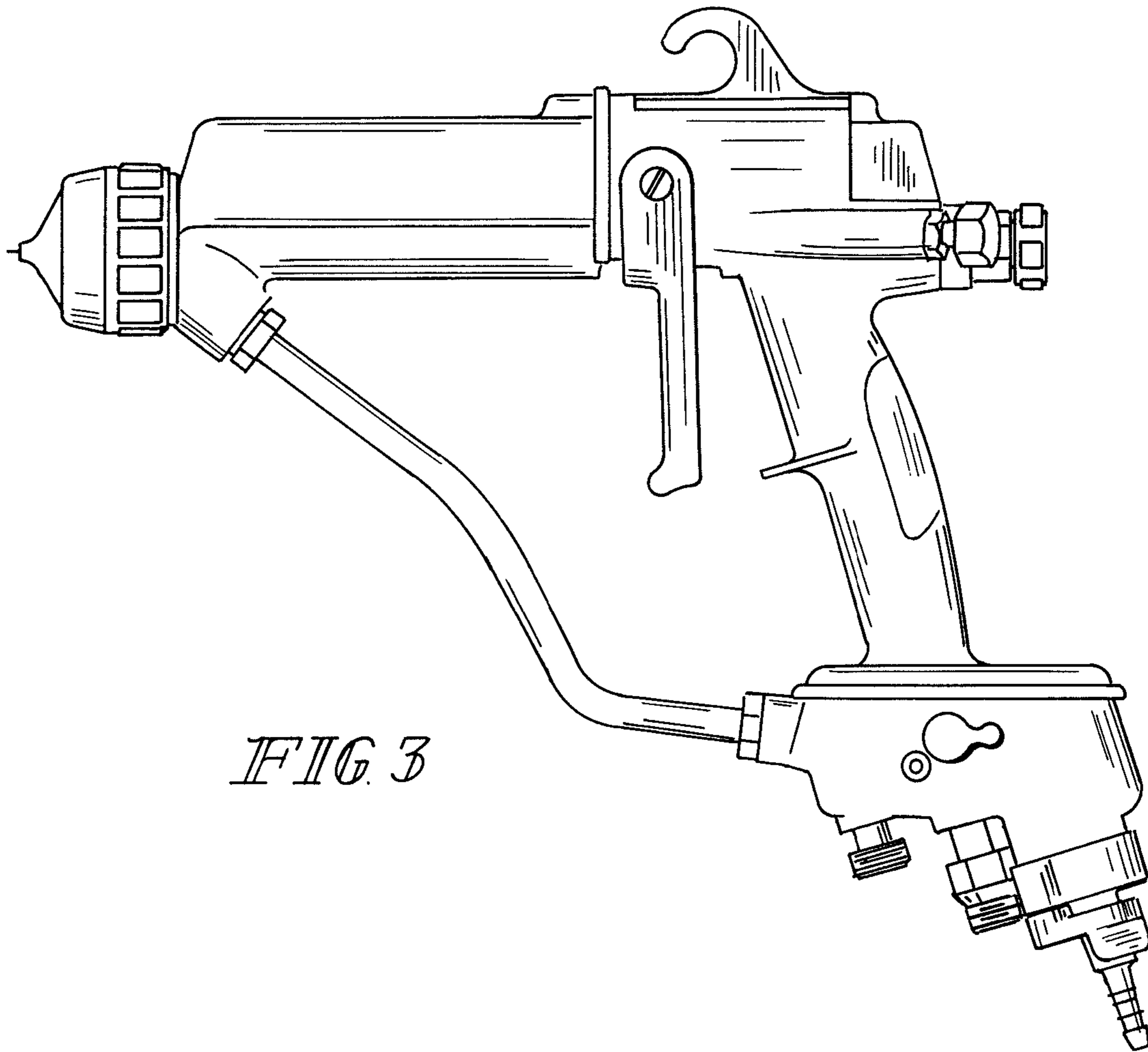


FIG. 2



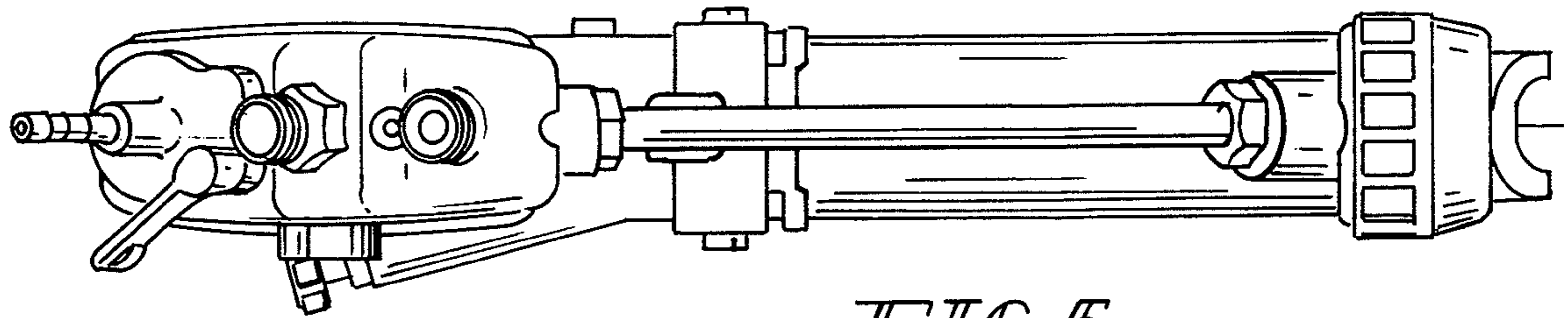


FIG. 5

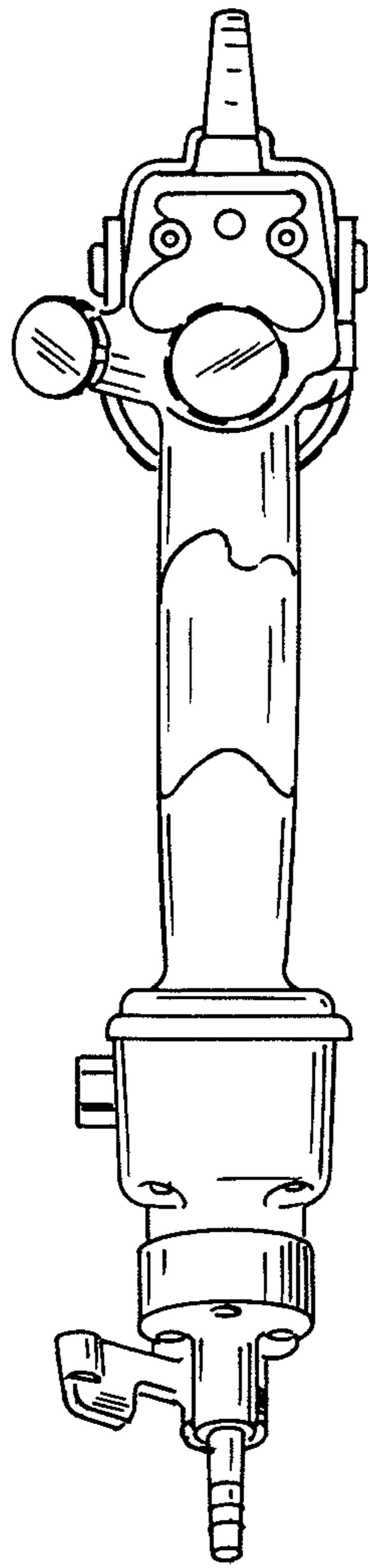


FIG. 6

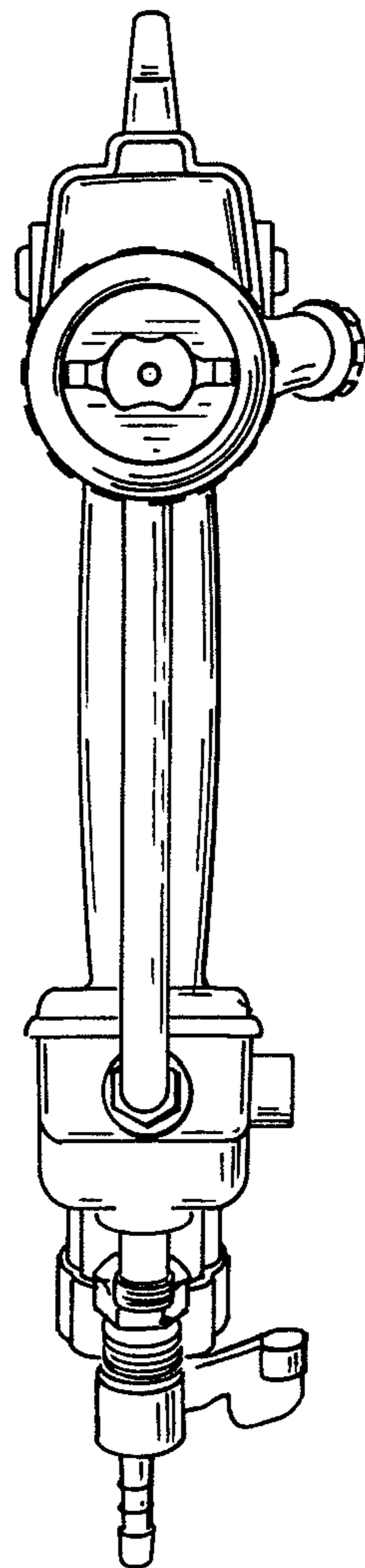


FIG. 7