



US00D608857S

(12) **United States Design Patent**
Chou

(10) **Patent No.:** **US D608,857 S**

(45) **Date of Patent:** **** Jan. 26, 2010**

(54) **MAIN BODY OF POWER GUN**

(76) Inventor: **Alex Chou**, No. 8, Lane 191, Xinfang Rd., Tali City, Taichung Hsien (TW)

(**) Term: **14 Years**

(21) Appl. No.: **29/336,804**

(22) Filed: **May 8, 2009**

(51) **LOC (9) Cl.** **23-01**

(52) **U.S. Cl.** **D23/223**

(58) **Field of Classification Search** D23/213,
D23/223, 226, 229–230; 239/690–691, DIG. 14,
239/525–526

See application file for complete search history.

(56) **References Cited**

U.S. PATENT DOCUMENTS

D358,450 S *	5/1995	Casey	D23/223
D372,517 S *	8/1996	Farnsteiner	D23/223
D542,378 S *	5/2007	Jou	D23/223
D565,153 S *	3/2008	Downey et al.	D23/223
7,341,504 B1 *	3/2008	Chen	451/90
D574,059 S *	7/2008	Huang	D23/223

D582,511 S * 12/2008 Downey et al. D23/223

* cited by examiner

Primary Examiner—Robin V Webster

(74) *Attorney, Agent, or Firm*—Banger Shia

(57) **CLAIM**

The ornamental design for the main body of power gun, as show and described.

DESCRIPTION

FIG. 1 is an upper rear perspective view of the main body of power gun showing the new design thereof;

FIG. 2 is a bottom front perspective view of the main body of power gun showing the new design thereof;

FIG. 3 is a right side view thereof;

FIG. 4 is a left plan view thereof;

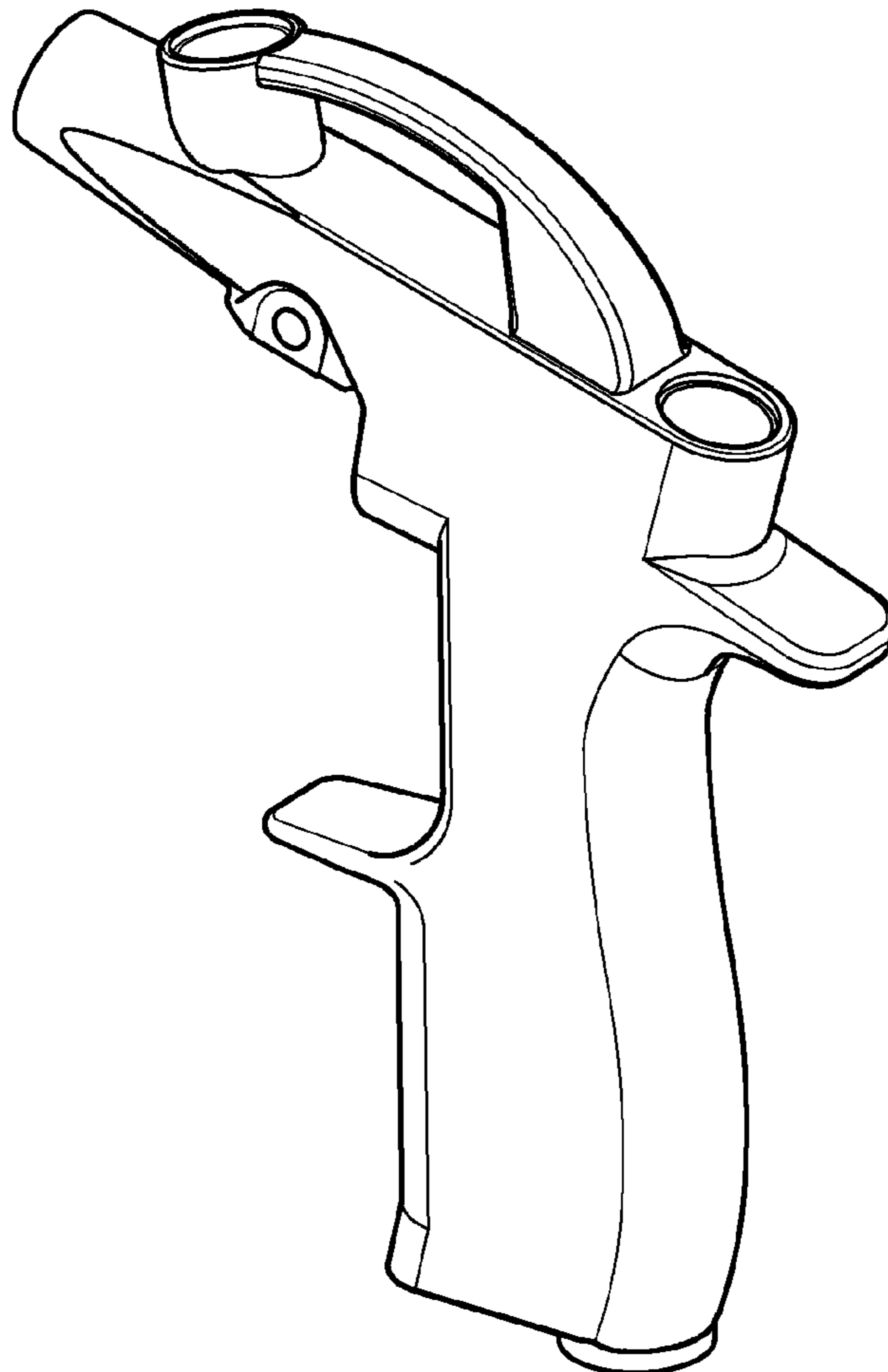
FIG. 5 is a front view thereof;

FIG. 6 is a rear view thereof;

FIG. 7 is a top plan view thereof; and,

FIG. 8 is a bottom plan view thereof.

1 Claim, 6 Drawing Sheets



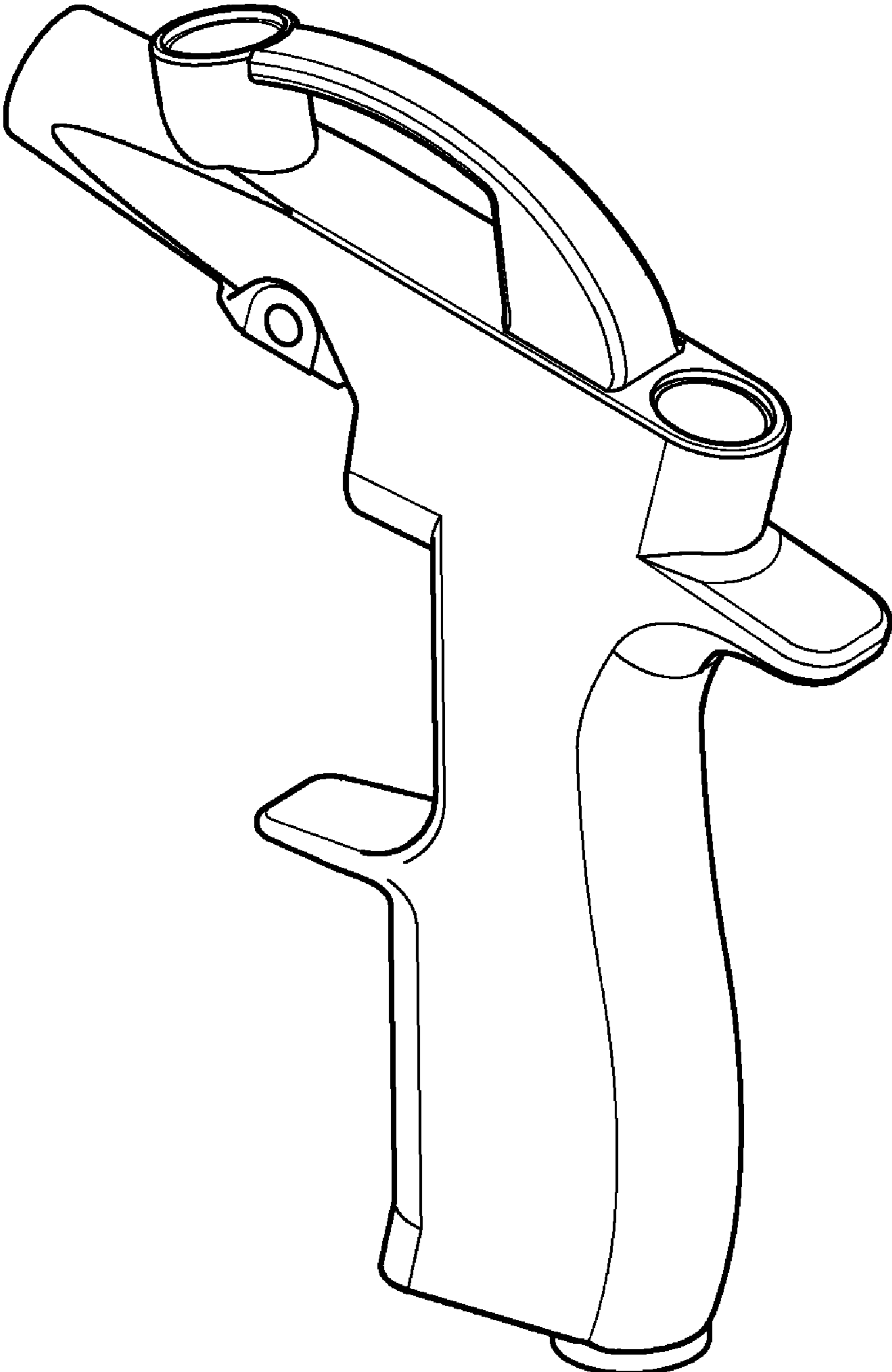


FIG. 1

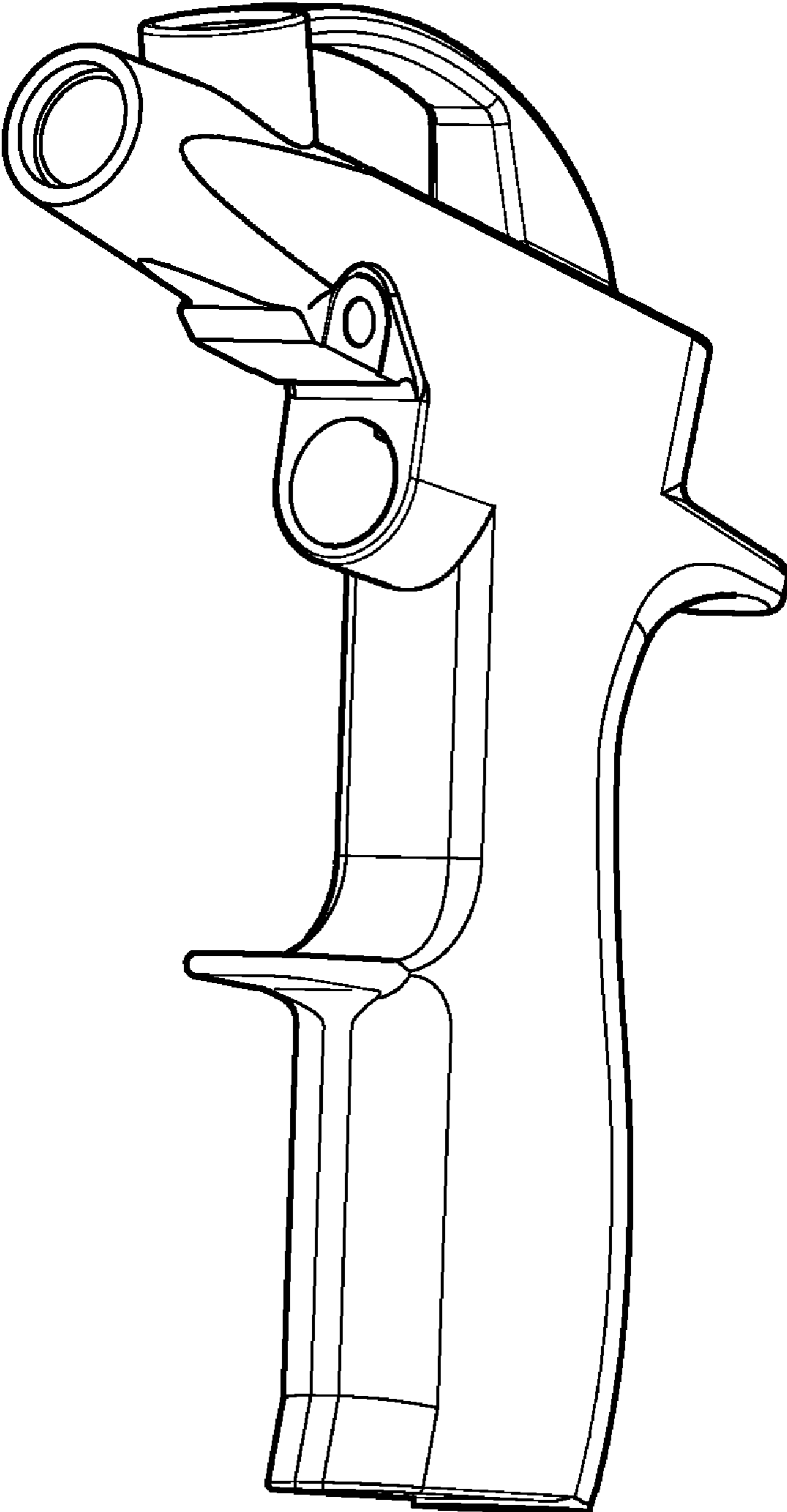


FIG.2

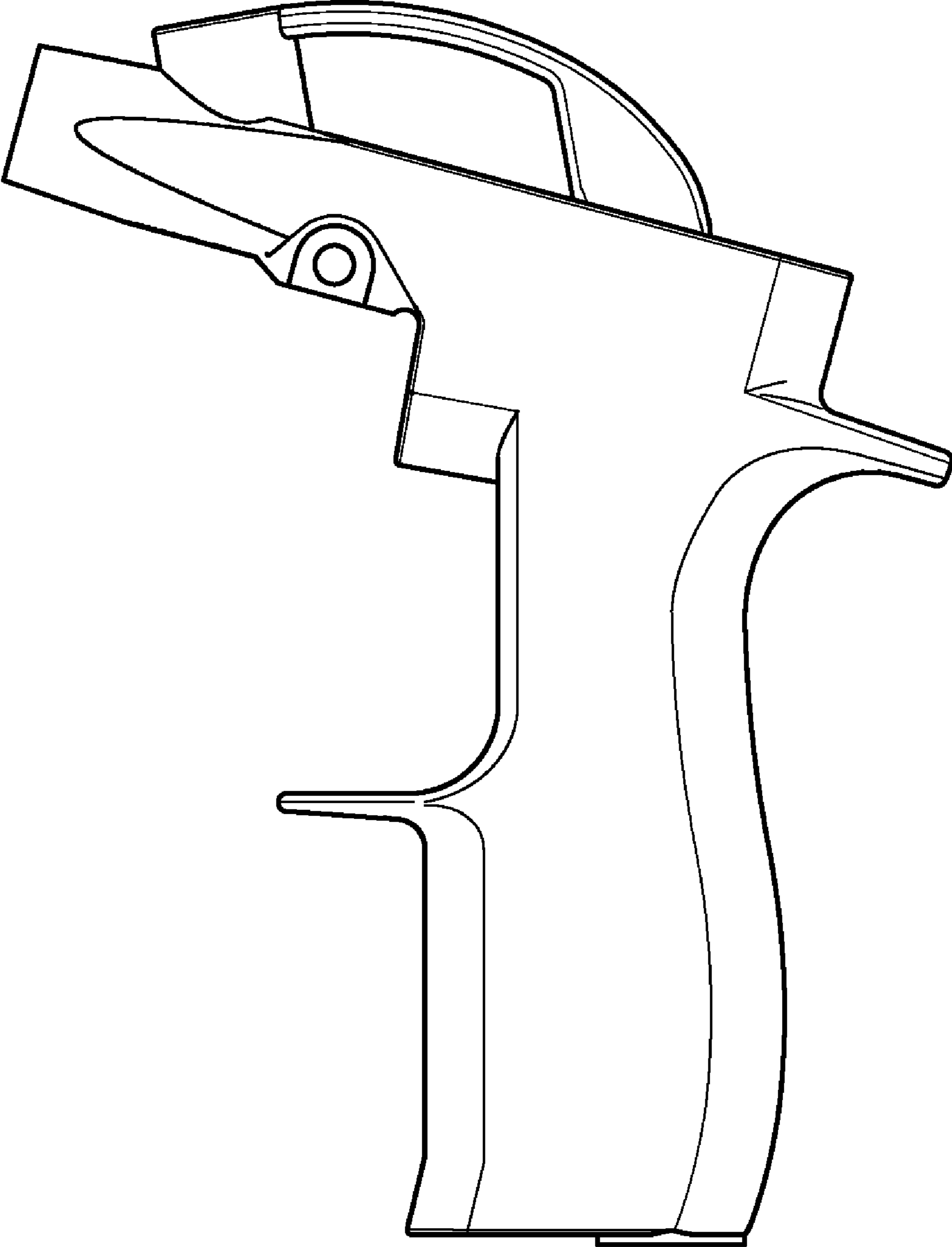


FIG.3

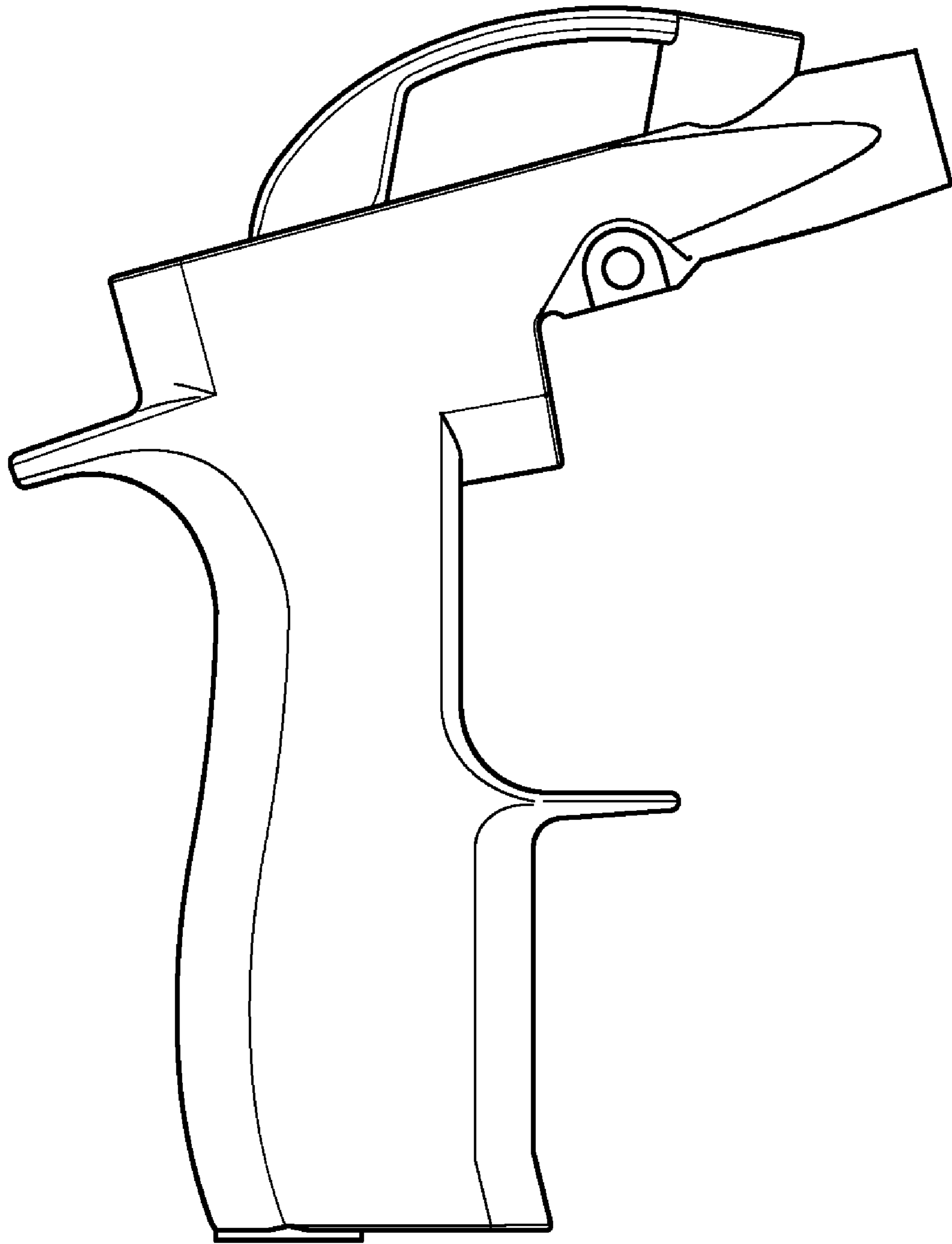


FIG.4

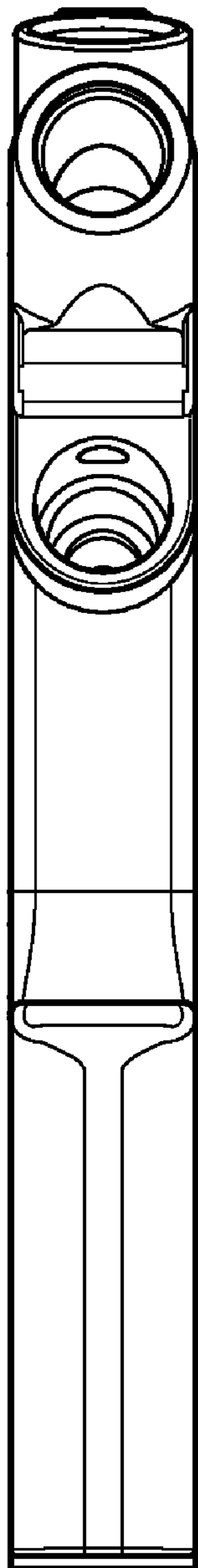


FIG.5

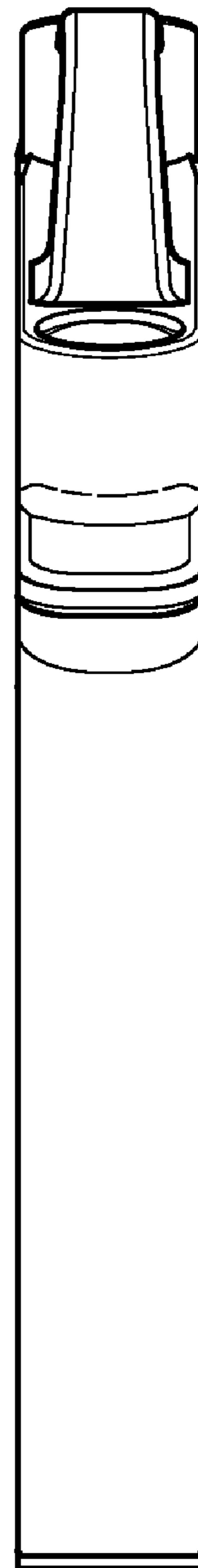


FIG.6

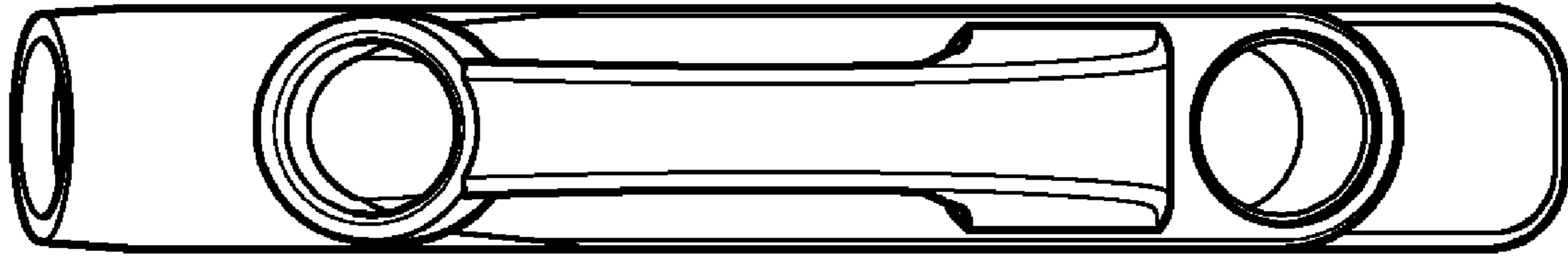


FIG. 7

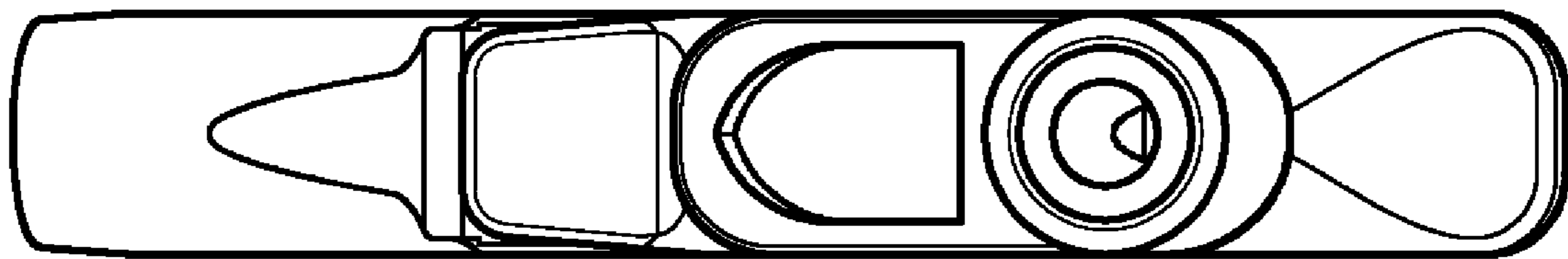


FIG. 8