



US00D608856S

(12) **United States Design Patent**
Dammkoehler

(10) **Patent No.:** **US D608,856 S**
(45) **Date of Patent:** **** Jan. 26, 2010**

(54) **HAND-OPERATED SPRAY GUN FOR DRY-ICE BLASTING DEVICE**

D552,443 S * 10/2007 Aglassinger et al. D8/29.1

OTHER PUBLICATIONS

Extract from catalog of Alfred Kaercher GmbH & Co. KG, "Programme 2007", cover, p. 294 and last page (Jan. 2007).

* cited by examiner

Primary Examiner—Robin V Webster

(74) *Attorney, Agent, or Firm*—Lipsitz & McAllister LLC

(75) **Inventor:** **Denis Dammkoehler**, Backnang (DE)

(73) **Assignee:** **Alfred Kaercher GmbH & Co. KG**, Winnenden (DE)

(**) **Term:** **14 Years**

(21) **Appl. No.:** **29/314,136**

(22) **Filed:** **Mar. 4, 2009**

(30) **Foreign Application Priority Data**

Sep. 5, 2008 (WO) DM/070 644

(51) **LOC (9) Cl.** **23-01**

(52) **U.S. Cl.** **D23/223**; D8/29.1

(58) **Field of Classification Search** D23/213,
D23/223, 226; 239/525–526, 600–601, 291;
D8/29.1

See application file for complete search history.

(56) **References Cited**

U.S. PATENT DOCUMENTS

D296,070 S * 6/1988 Cunningham D8/29.1
D459,786 S * 7/2002 Sweeton D23/226
D499,167 S * 11/2004 Sweeton D23/213
D519,800 S * 5/2006 Glover et al. D8/29.1
D526,709 S * 8/2006 Engelen D23/360

(57) **CLAIM**

The ornamental design for a hand-operated spray gun for dry-ice blasting device, as shown and described.

DESCRIPTION

FIG. 1 is a front, top and left side perspective view showing the design;

FIG. 2 is a front, top and right side perspective view showing the design;

FIG. 3 is a front elevational view of the design;

FIG. 4 is a rear elevational view of the design;

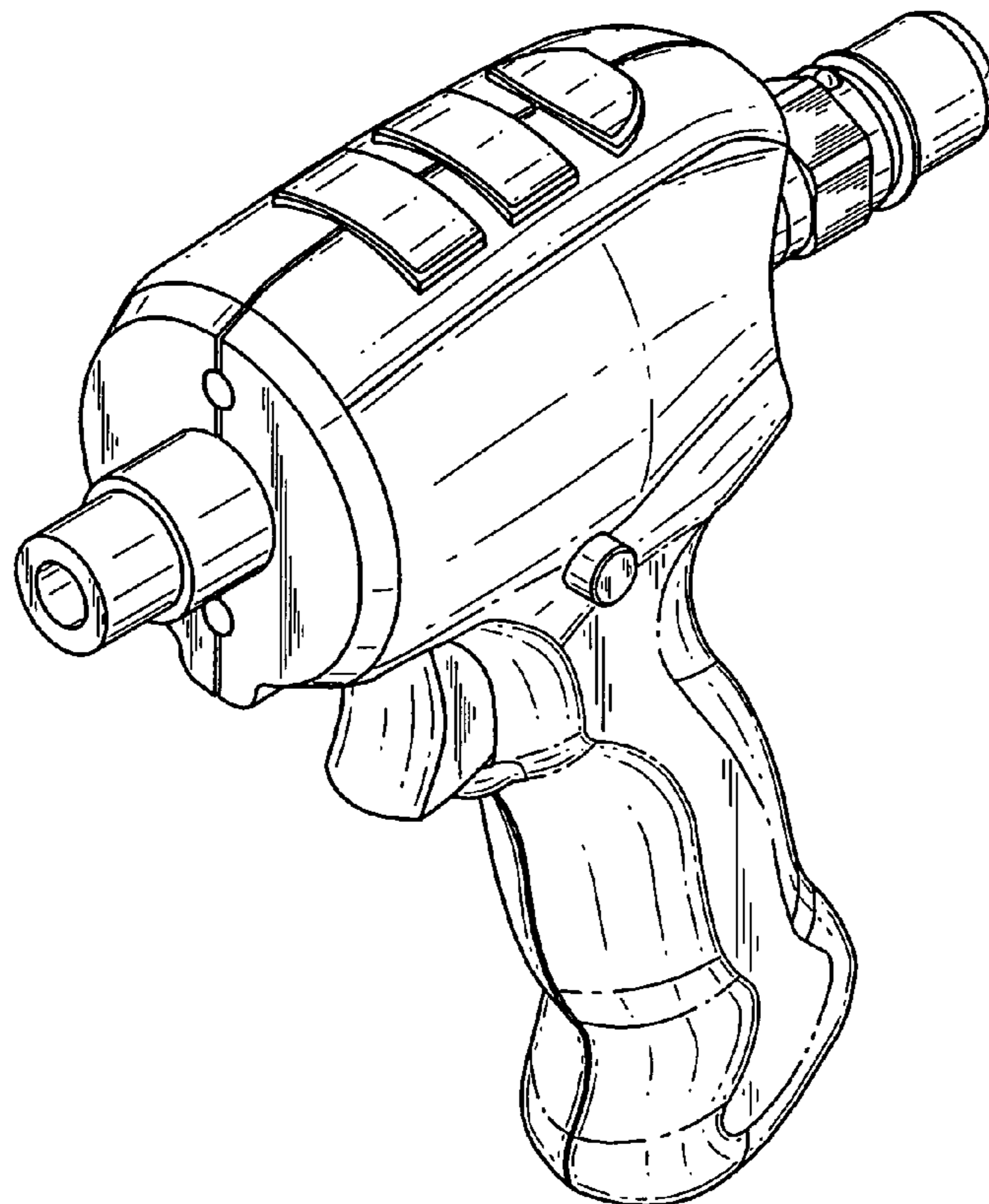
FIG. 5 is a left side elevational view of the design;

FIG. 6 is a right side elevational view of the design;

FIG. 7 is a top plan view of the design; and,

FIG. 8 is a bottom plan view of the design, wherein the broken line showing of a circle is for the purpose of illustrating an opening and forms no part of the claimed design.

1 Claim, 5 Drawing Sheets



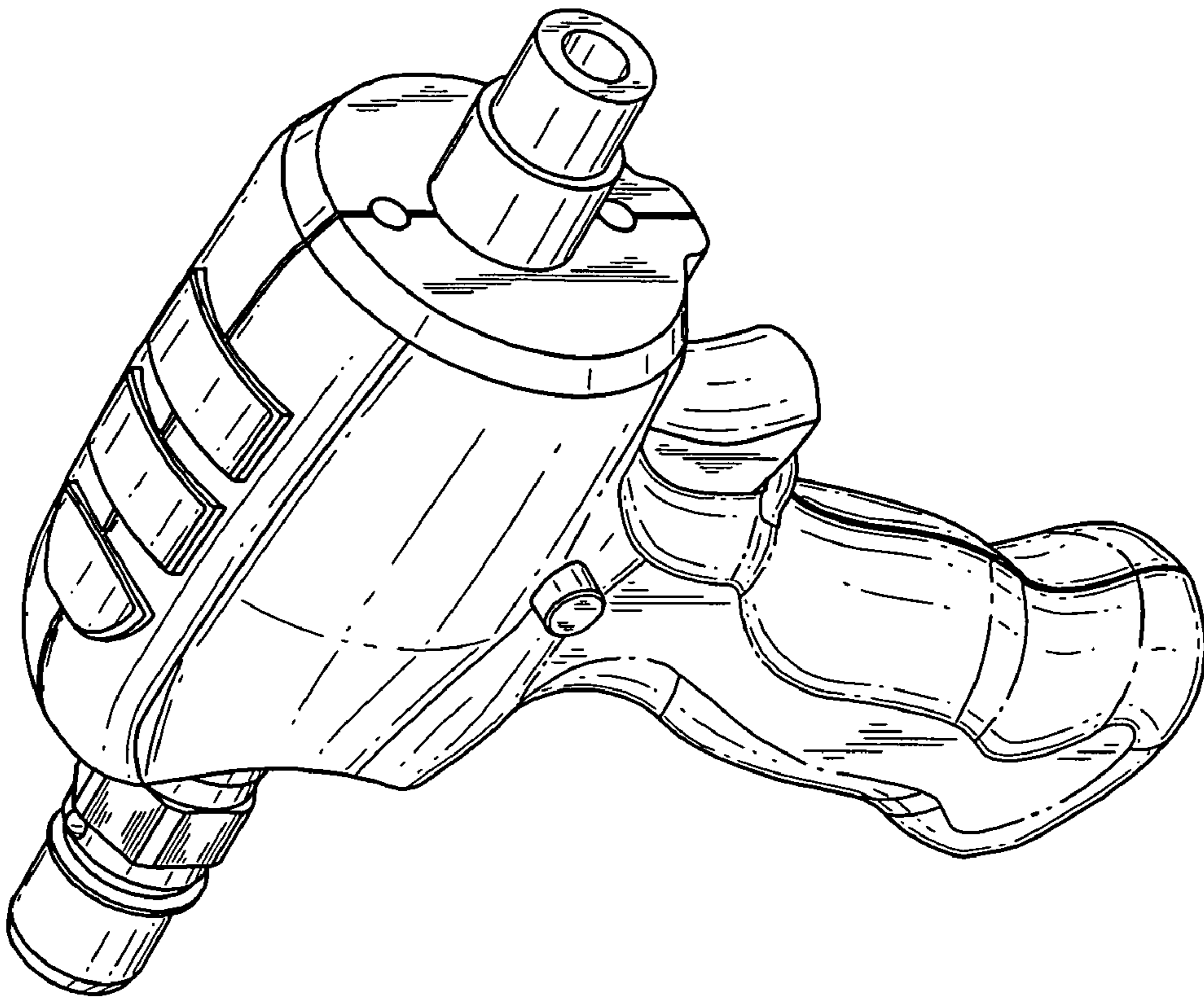


FIG. 2

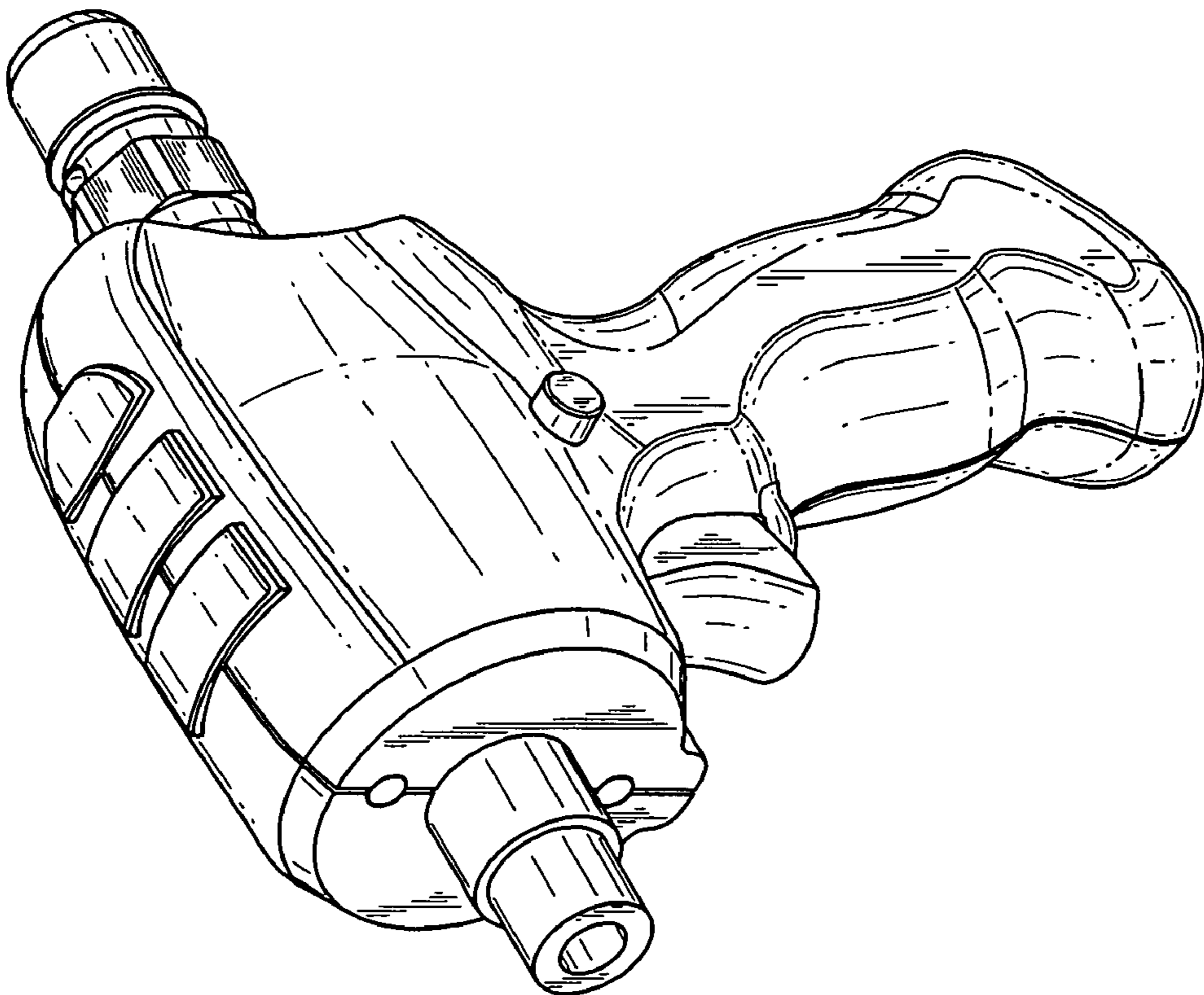


FIG. 1

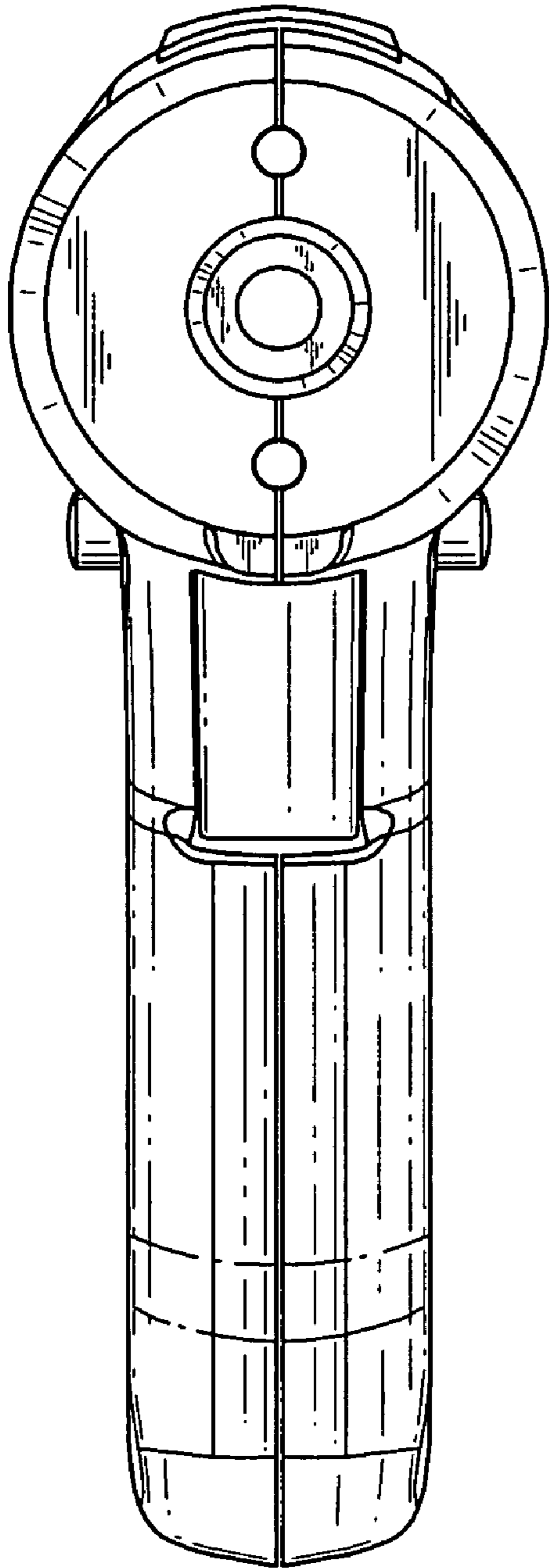


FIG. 3

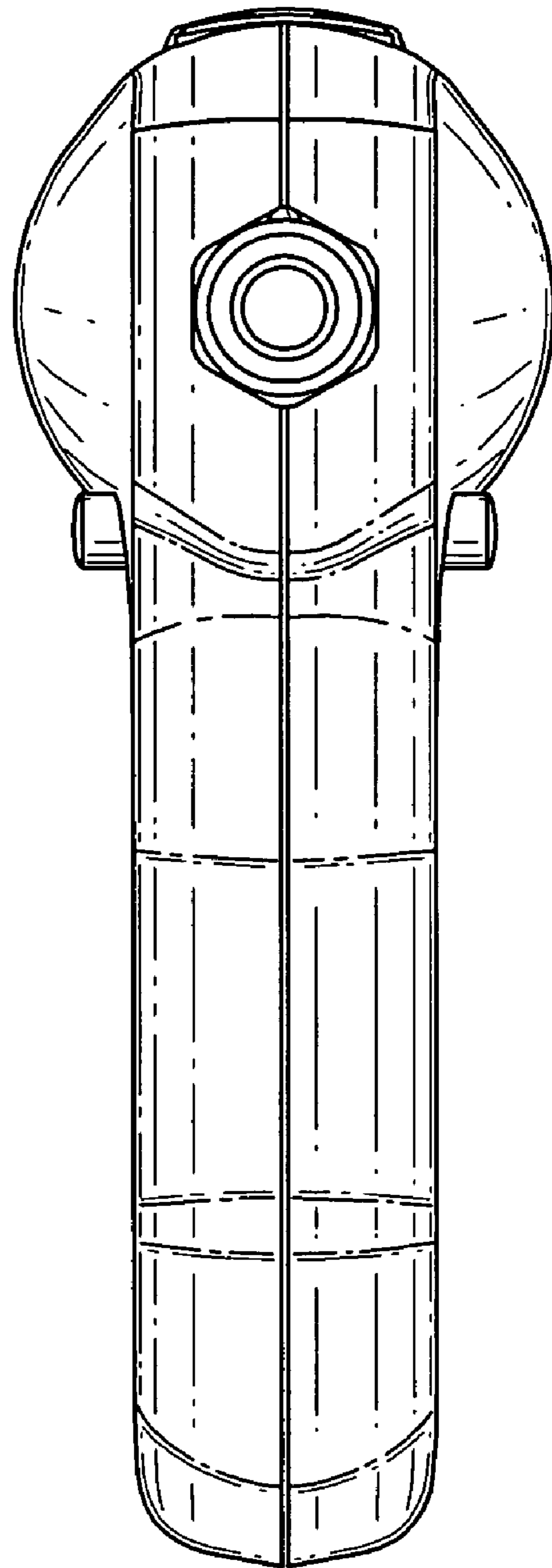


FIG. 4

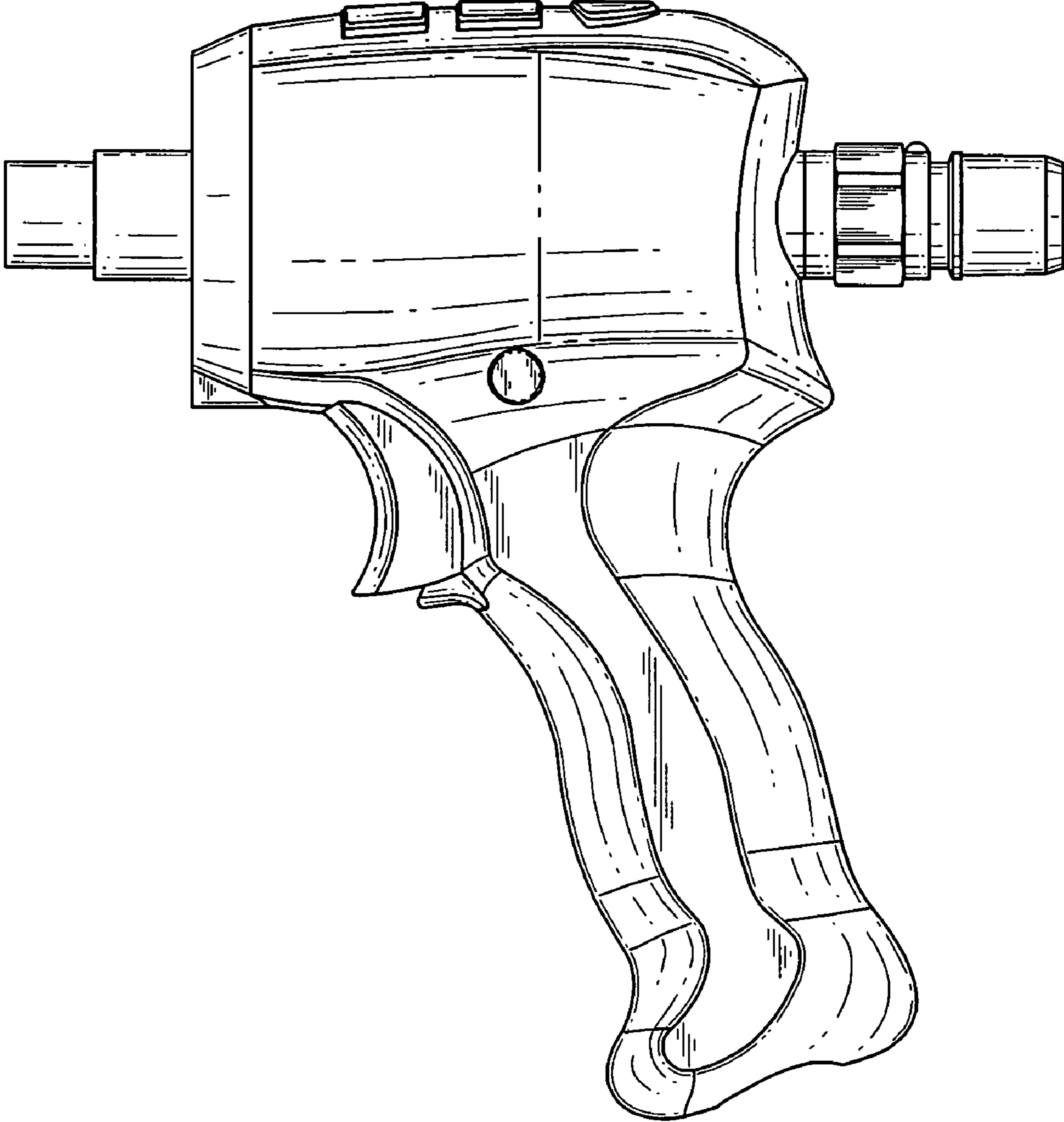


FIG. 5

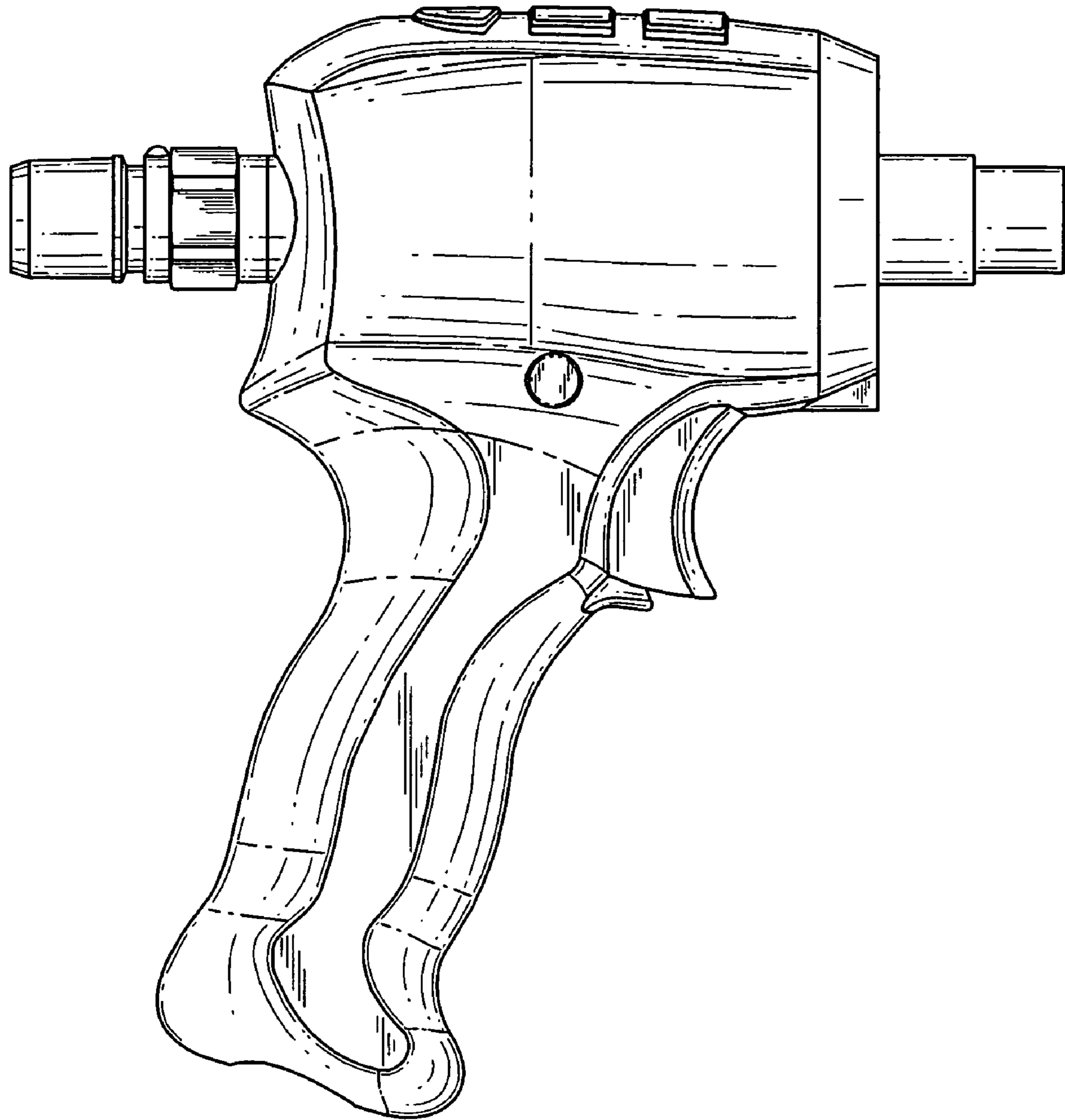


FIG. 6

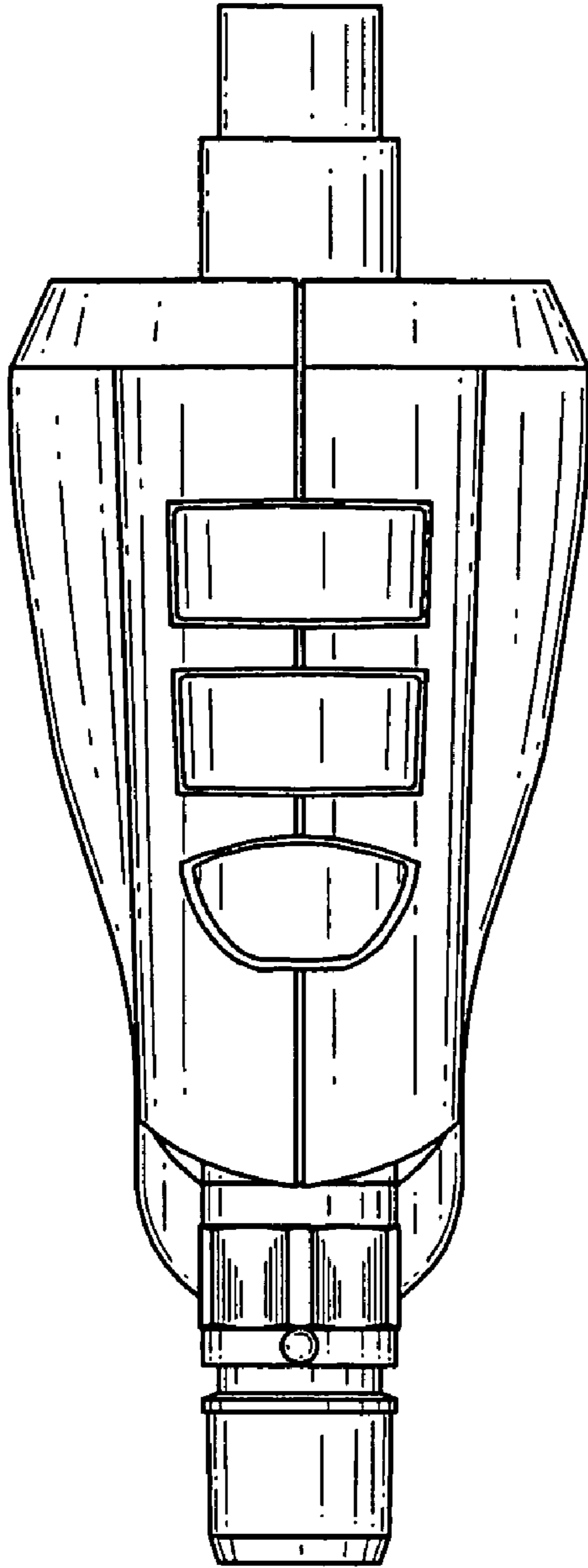


FIG. 7

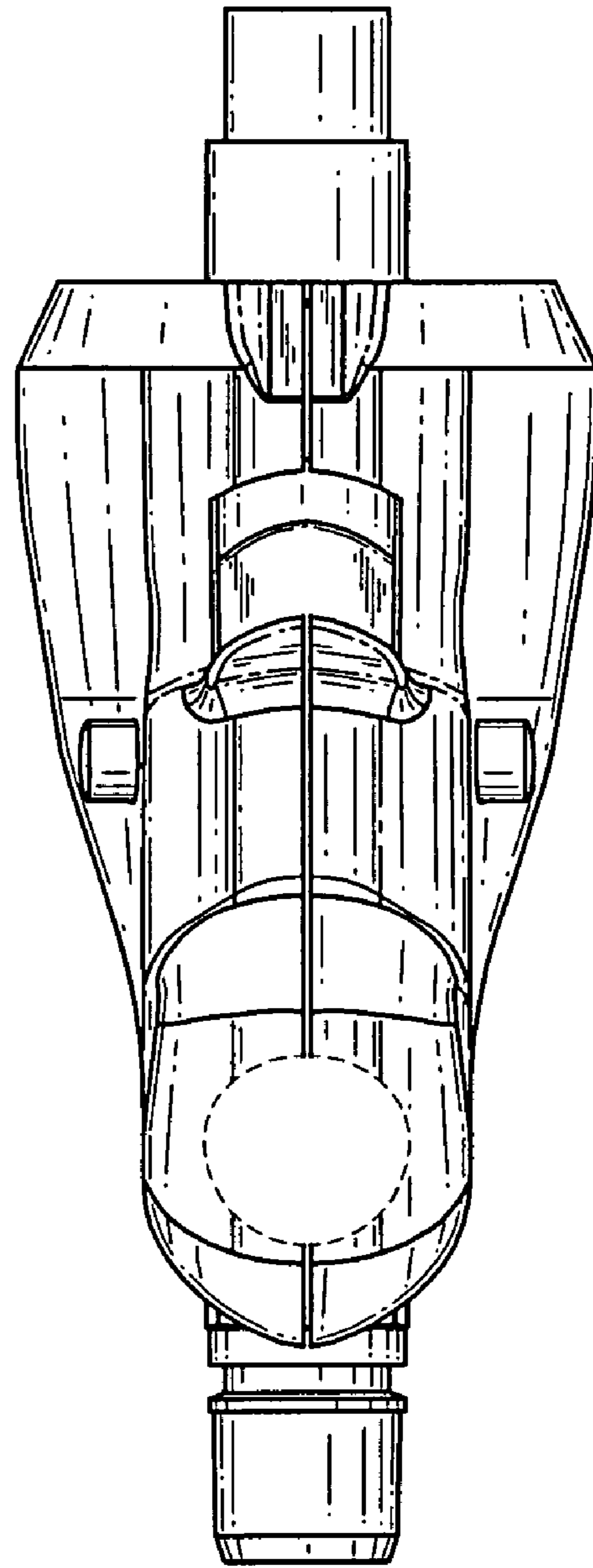


FIG. 8