



US00D608853S

(12) **United States Design Patent**  
**Noma**

(10) **Patent No.:** **US D608,853 S**  
(45) **Date of Patent:** **\*\* Jan. 26, 2010**

(54) **FISHING REEL PORTION**

D579,075 S 10/2008 Sekimoto et al.  
D583,011 S 12/2008 Lee  
D595,806 S 7/2009 Nago

(75) Inventor: **Natsuki Noma**, Osaka (JP)

(73) Assignee: **Shimano Inc.**, Osaka (JP)

(\*\*) Term: **14 Years**

(21) Appl. No.: **29/340,279**

(22) Filed: **Jul. 16, 2009**

(30) **Foreign Application Priority Data**

Feb. 2, 2009 (JP) ..... 2009-002048

(51) **LOC (9) Cl.** ..... **22-05**

(52) **U.S. Cl.** ..... **D22/140**

(58) **Field of Classification Search** ..... D22/140,  
D22/141, 137-139; 242/234-240, 310-319;  
43/19-22

See application file for complete search history.

(56) **References Cited**

**U.S. PATENT DOCUMENTS**

D294,381 S *	2/1988	Robbins	.....	D22/140
D347,460 S *	5/1994	Ohi	.....	D22/140
D436,155 S	1/2001	Asano et al.		
D436,645 S	1/2001	Kim et al.		
D447,787 S	9/2001	Smith et al.		
D450,105 S	11/2001	Asano et al.		
D450,369 S	11/2001	Oh		
D452,292 S	12/2001	Kim et al.		
D476,715 S	7/2003	Robbins et al.		
D497,403 S	10/2004	Asano et al.		
D500,547 S	1/2005	Gray		
D500,834 S *	1/2005	Nago	.....	D22/140
D572,336 S *	7/2008	Asano et al.	.....	D22/140
D578,178 S	10/2008	Sekimoto et al.		

\* cited by examiner

*Primary Examiner*—Catherine R Oliver

(74) *Attorney, Agent, or Firm*—Global IP Counselors, LLP

(57) **CLAIM**

The ornamental design for a fishing reel portion, as shown and described.

**DESCRIPTION**

FIG. 1 is a top and side perspective view of the fishing reel portion in accordance with my new design;

FIG. 2 is a bottom and side perspective view of the fishing reel portion illustrated in FIG. 1;

FIG. 3 is a rear elevational view of the fishing reel portion illustrated in FIG. 1;

FIG. 4 is a front elevational view of the fishing reel portion illustrated in FIG. 1;

FIG. 5 is a top plan view of the fishing reel portion illustrated in FIG. 1;

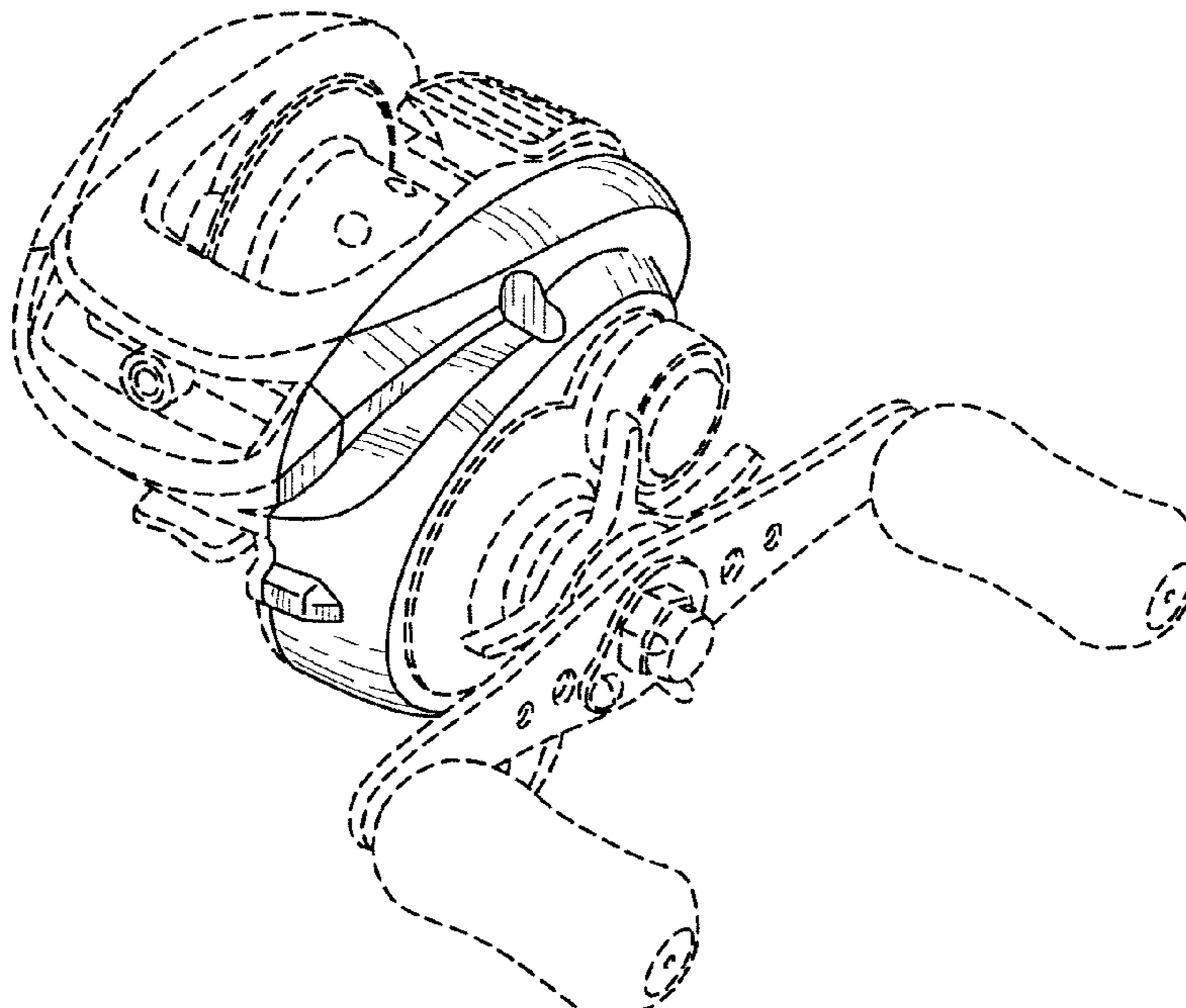
FIG. 6 is a side elevational view of the fishing reel portion illustrated in FIG. 1;

FIG. 7 is a bottom plan view of the fishing reel portion illustrated in FIG. 1; and,

FIG. 8 is an opposite side elevational view of the fishing reel portion illustrated in FIG. 1.

The broken line illustration of the environmental structure (the remaining structure of the fishing reel) in the drawings is not part of the claimed design.

**1 Claim, 4 Drawing Sheets**



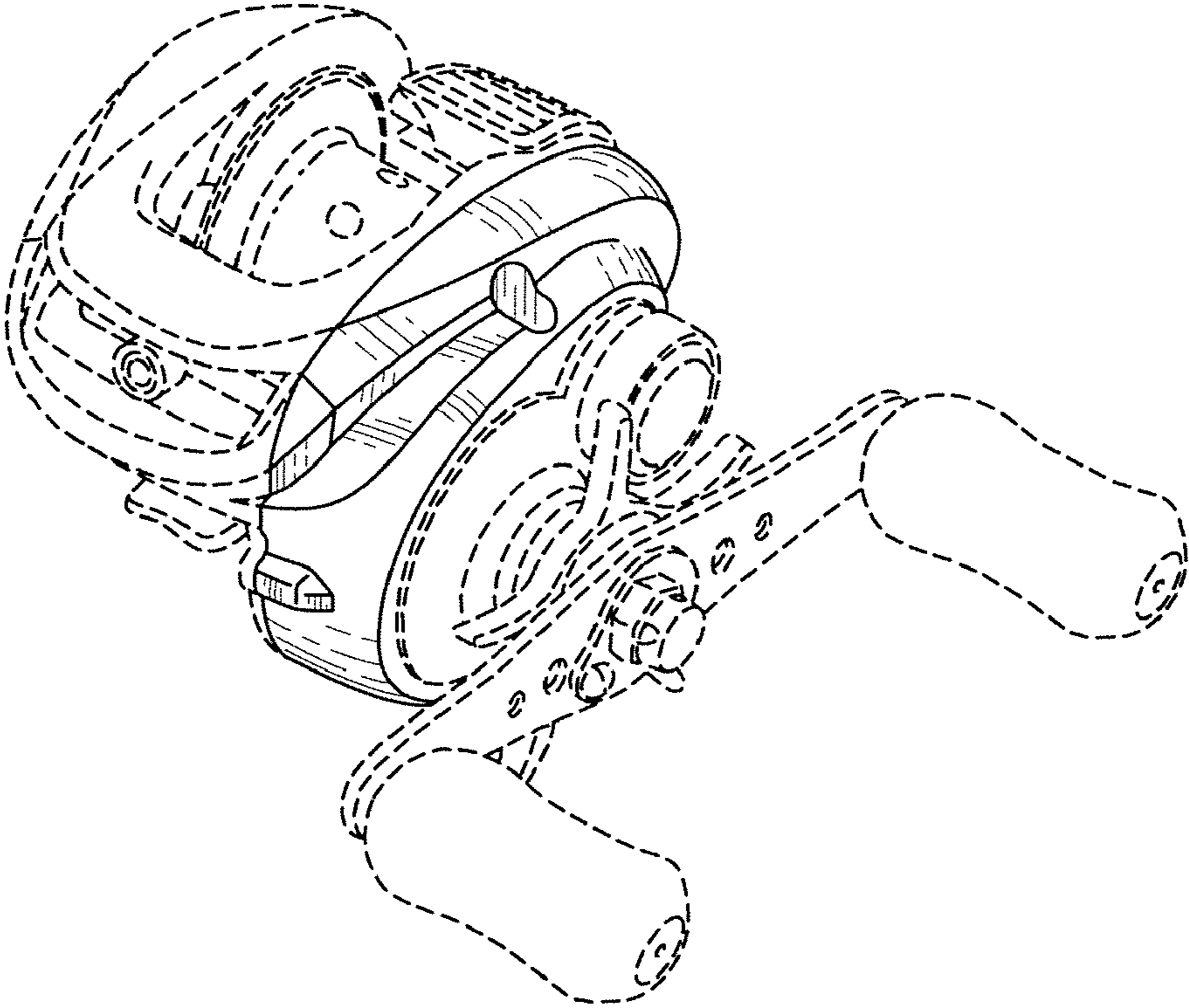


FIG. 1

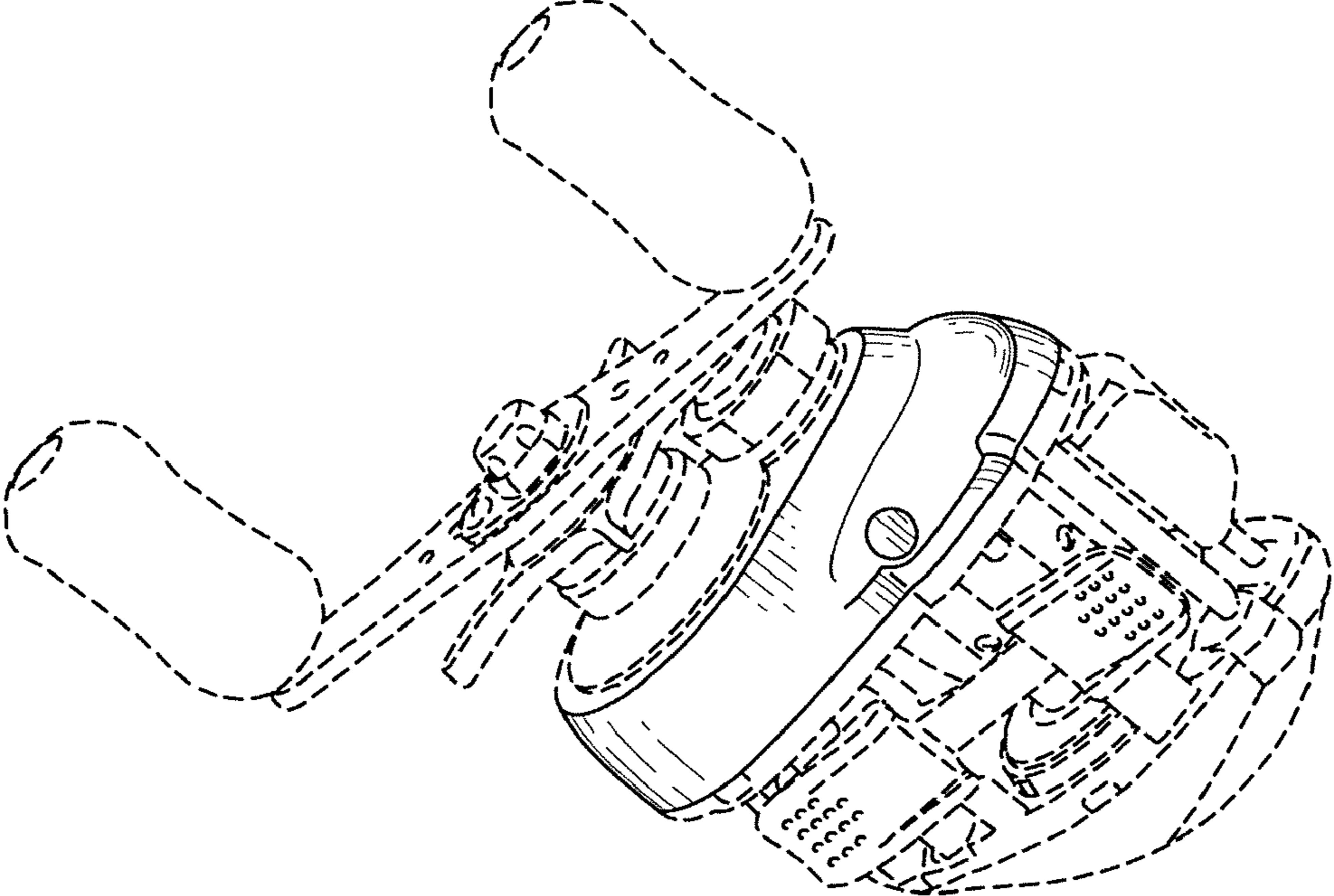


FIG. 2

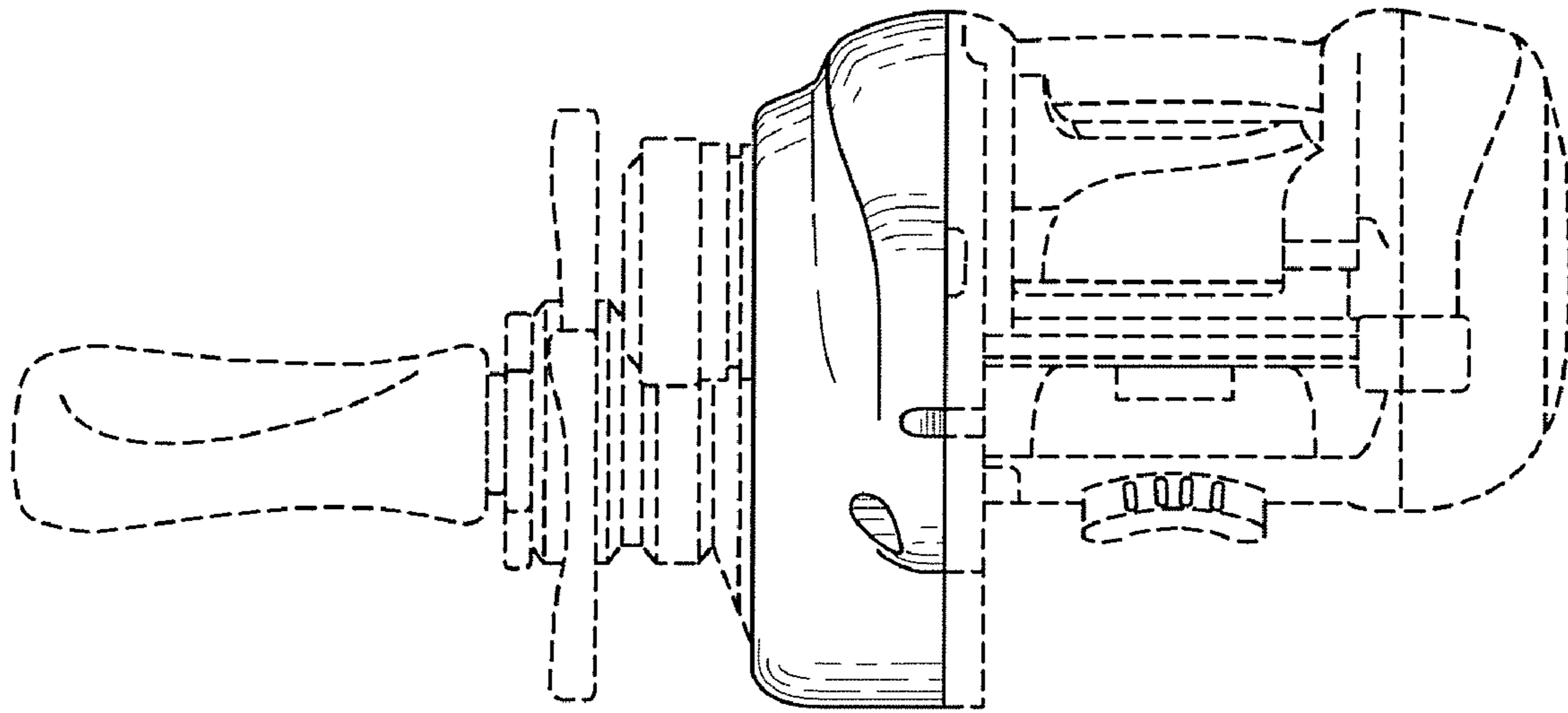


FIG. 3

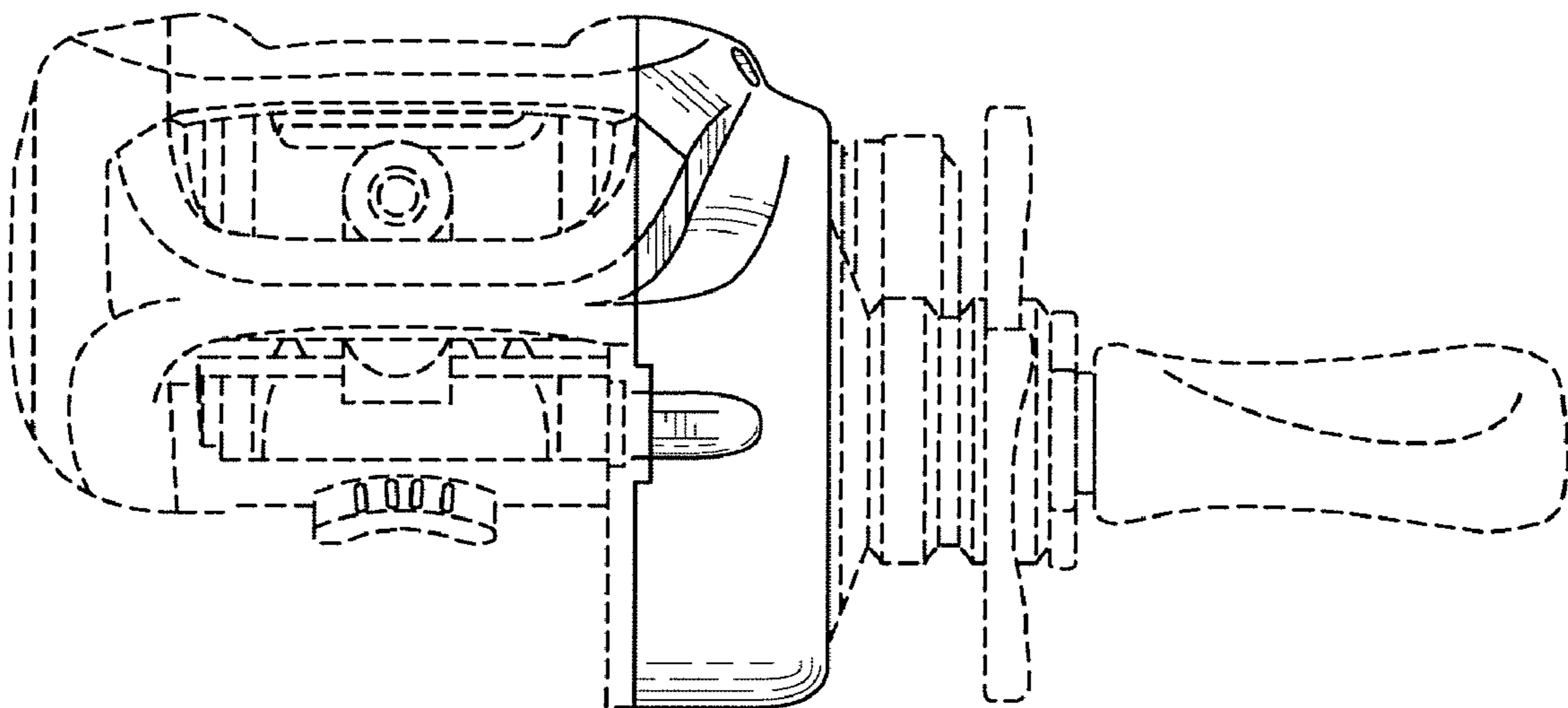


FIG. 4

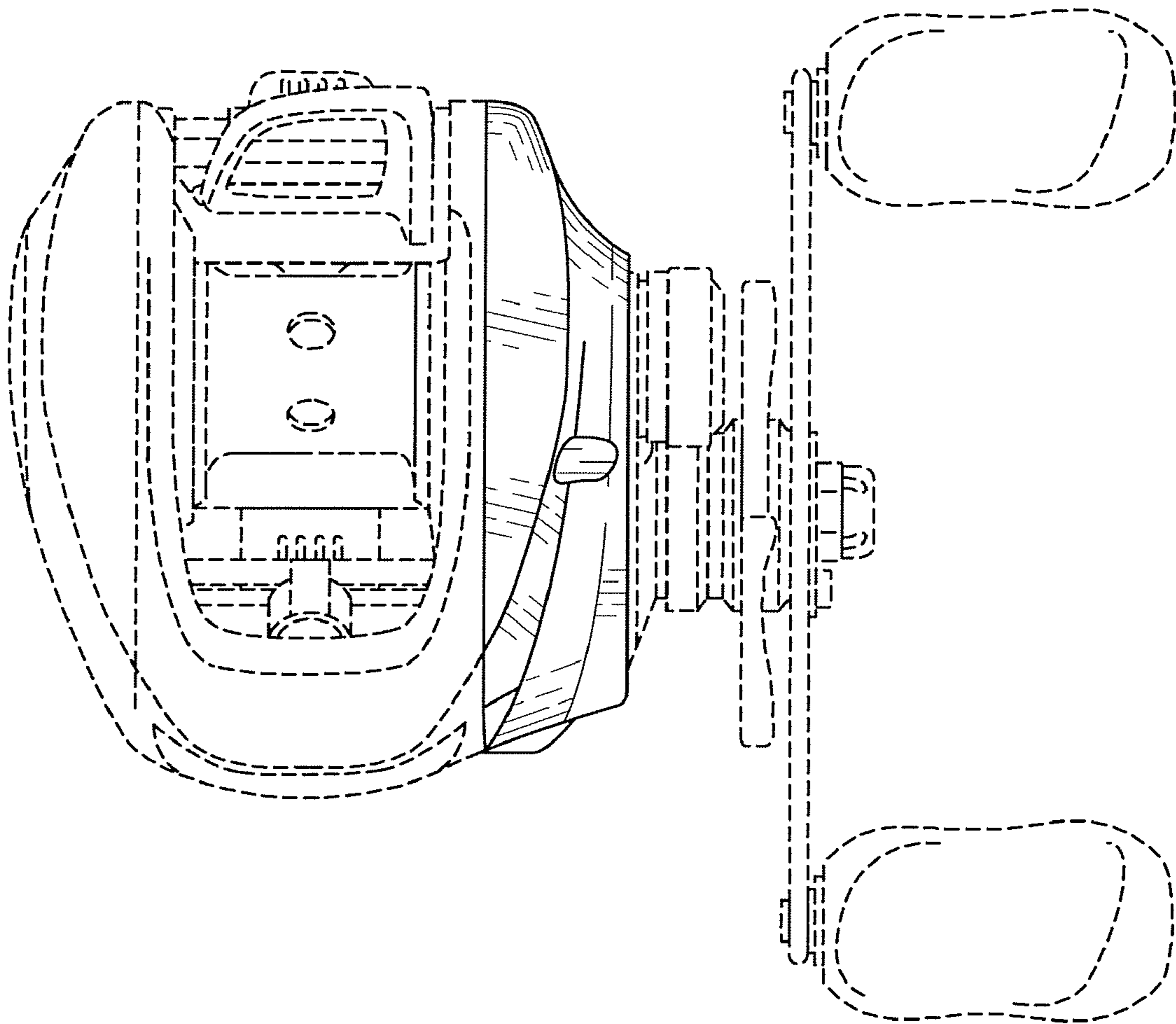


FIG. 5

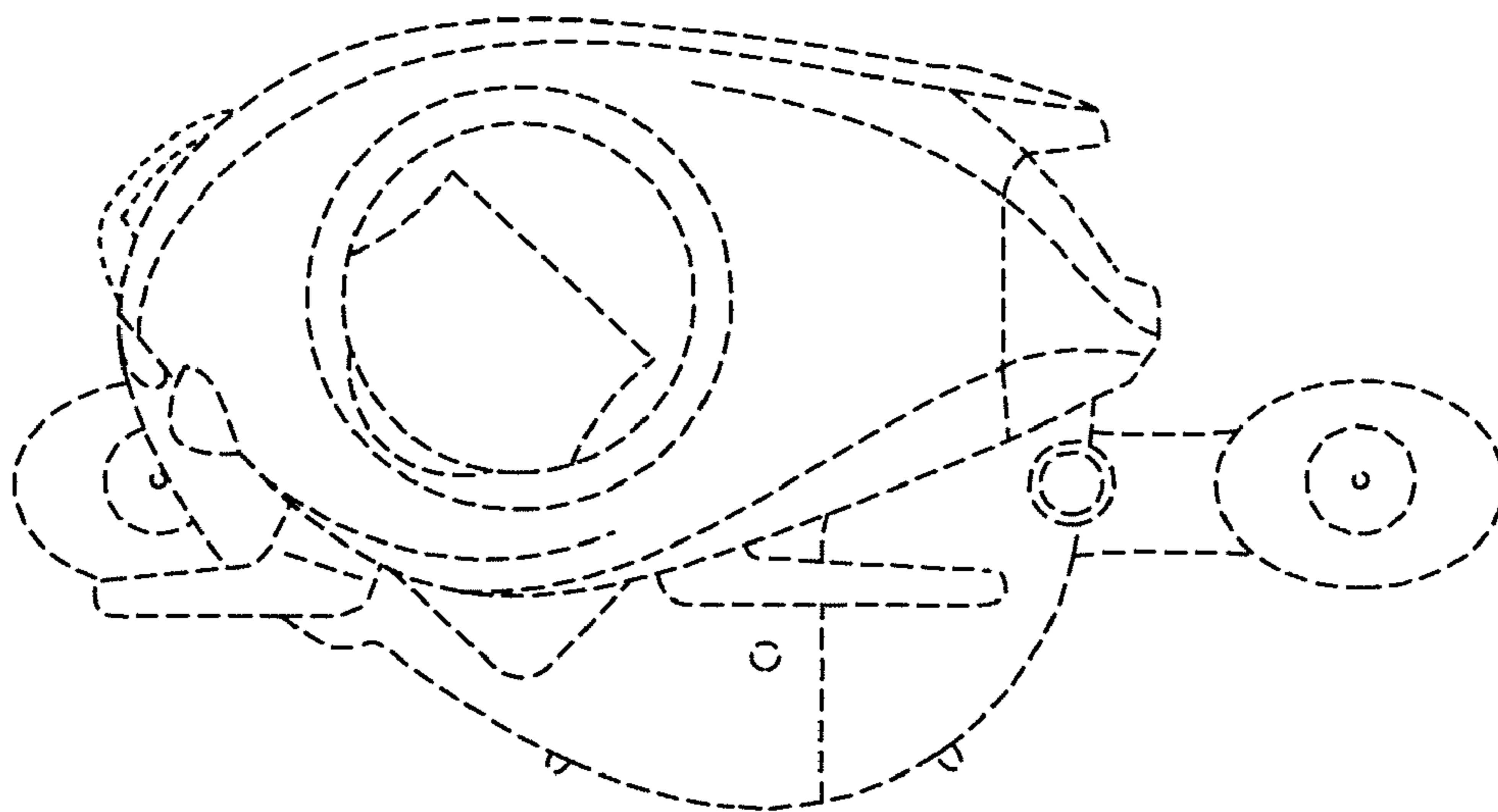


FIG. 6

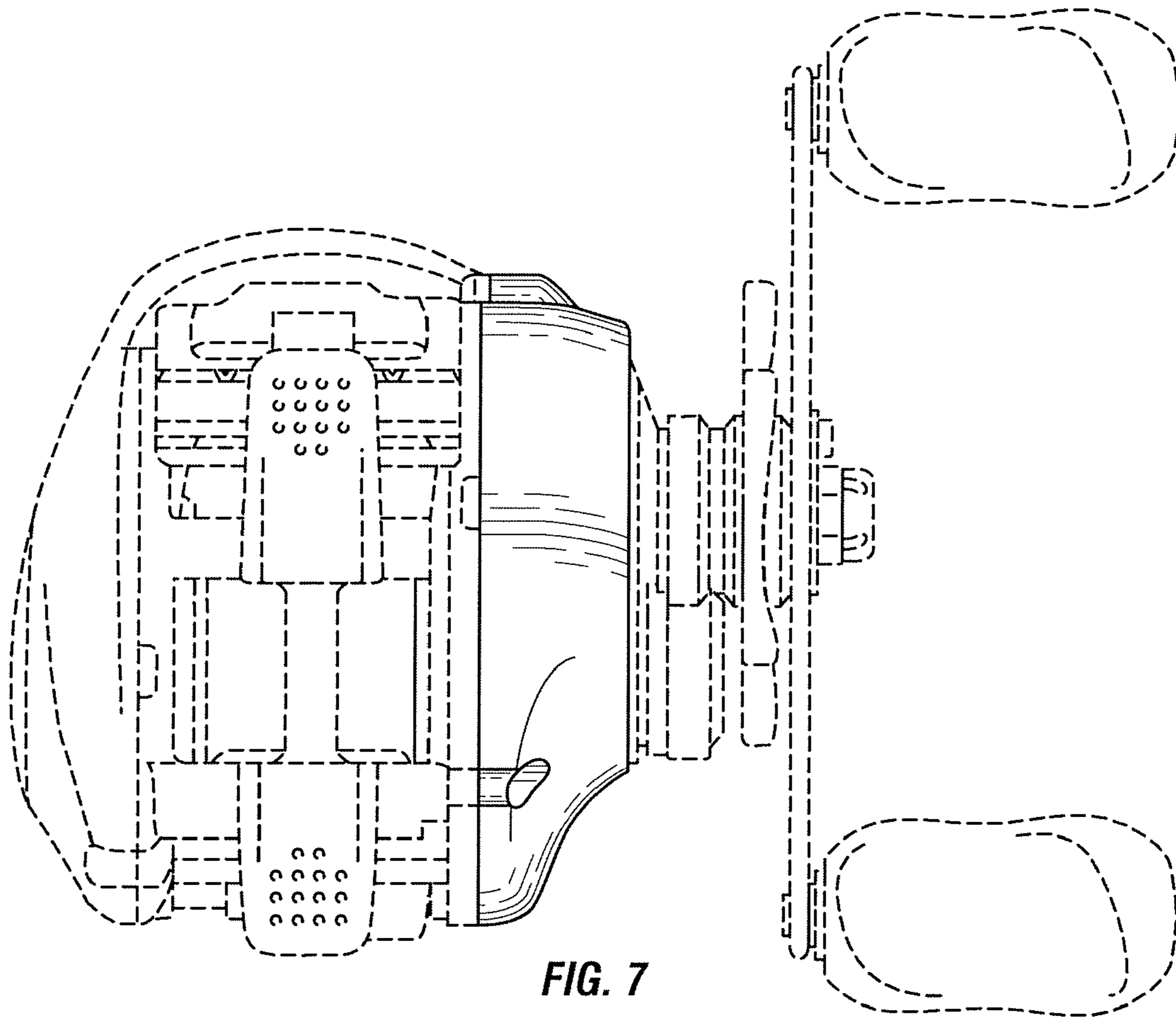


FIG. 7

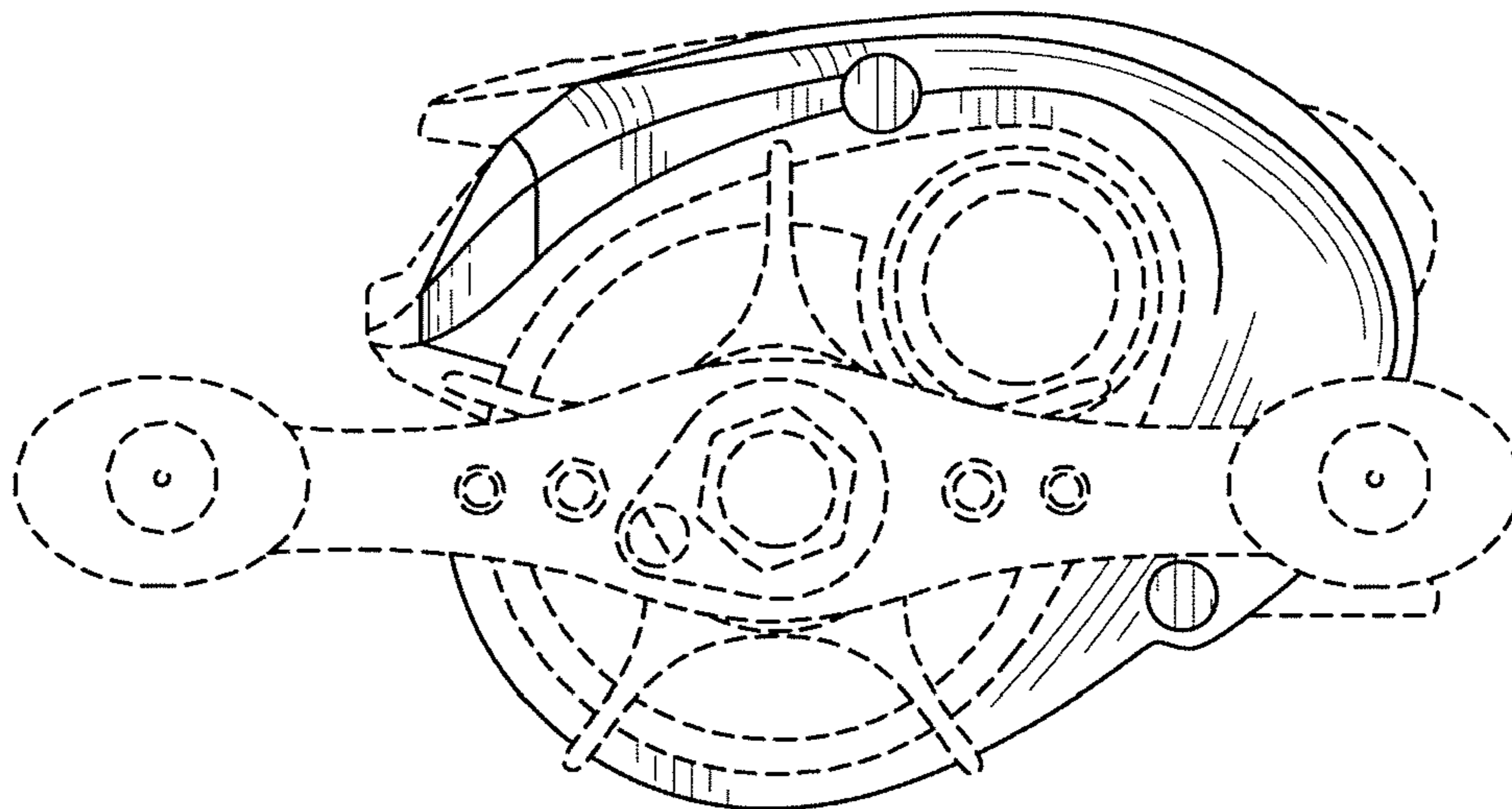


FIG. 8