

US00D608851S

(12) **United States Design Patent**
Hillman

(10) **Patent No.:** **US D608,851 S**
(45) **Date of Patent:** **** Jan. 26, 2010**

(54) **SKATEBOARD**

(75) Inventor: **Roger A. Hillman**, Westminster, CA
(US)
(73) Assignee: **Hillman Industries, LLC**, Medina, WA
(US)

(**) Term: **14 Years**

(21) Appl. No.: **29/333,231**

(22) Filed: **Mar. 4, 2009**

(51) **LOC (9) Cl.** **21-02**

(52) **U.S. Cl.** **D21/765; D21/771**

(58) **Field of Classification Search** D21/760,
D21/765, 771, 423, 779; 280/7.14, 11.115,
280/11.27, 11.28, 14.21, 87.01, 87.021, 87.03,
280/87.041, 87.042, 809; 180/180, 181,
180/220; 362/103, 459

See application file for complete search history.

(56) **References Cited**

U.S. PATENT DOCUMENTS

823,385 A	6/1906	Beauford
1,672,700 A	6/1928	Vass
1,858,448 A	5/1932	Johnson et al.
2,140,224 A	12/1938	Galgoczy
2,502,566 A	4/1950	Hooley
2,531,959 A	11/1950	Woodward et al.
4,069,881 A	1/1978	Shiber
4,094,372 A	6/1978	Notter
4,143,728 A	3/1979	Shiber
4,288,088 A	9/1981	Harrison
4,336,573 A	6/1982	Carter
4,367,515 A	1/1983	Beard
4,463,412 A	7/1984	Broach
4,508,187 A	4/1985	Wenzel
4,824,139 A	4/1989	Robbins
4,991,066 A	2/1991	McCowan
4,997,196 A	3/1991	Wood
5,004,256 A	4/1991	Won et al.
5,020,621 A	6/1991	Martin
5,119,277 A	6/1992	Copley et al.

5,127,488 A	7/1992	Shanahan
D343,884 S	2/1994	Park
5,292,141 A	3/1994	Ekedal et al.
5,330,026 A	7/1994	Hsu et al.
5,381,870 A	1/1995	Kaufman
5,775,452 A	7/1998	Patmont
5,893,425 A	4/1999	Finkle
5,894,898 A	4/1999	Catto
D412,351 S	7/1999	Gambs
6,050,357 A	4/2000	Staelin et al.
D428,460 S *	7/2000	Enochs D21/769
6,227,324 B1	5/2001	Sauve
6,288,505 B1	9/2001	Heinzmann et al.
6,343,667 B2	2/2002	Sauve

(Continued)

FOREIGN PATENT DOCUMENTS

DE 3936317 5/1991

(Continued)

Primary Examiner—Holly H Baynham
Assistant Examiner—Cynthia M Chin
(74) *Attorney, Agent, or Firm*—Perkins Coie LLP

(57) **CLAIM**

The ornamental design for a skateboard, as shown and described.

DESCRIPTION

FIG. 1 is an isometric view of the skateboard showing my new design.

FIG. 2 is a left-side elevational view thereof. The right-side elevational view is a mirror image of the left-side elevational view thereof.

FIG. 3 is a top plan view thereof.

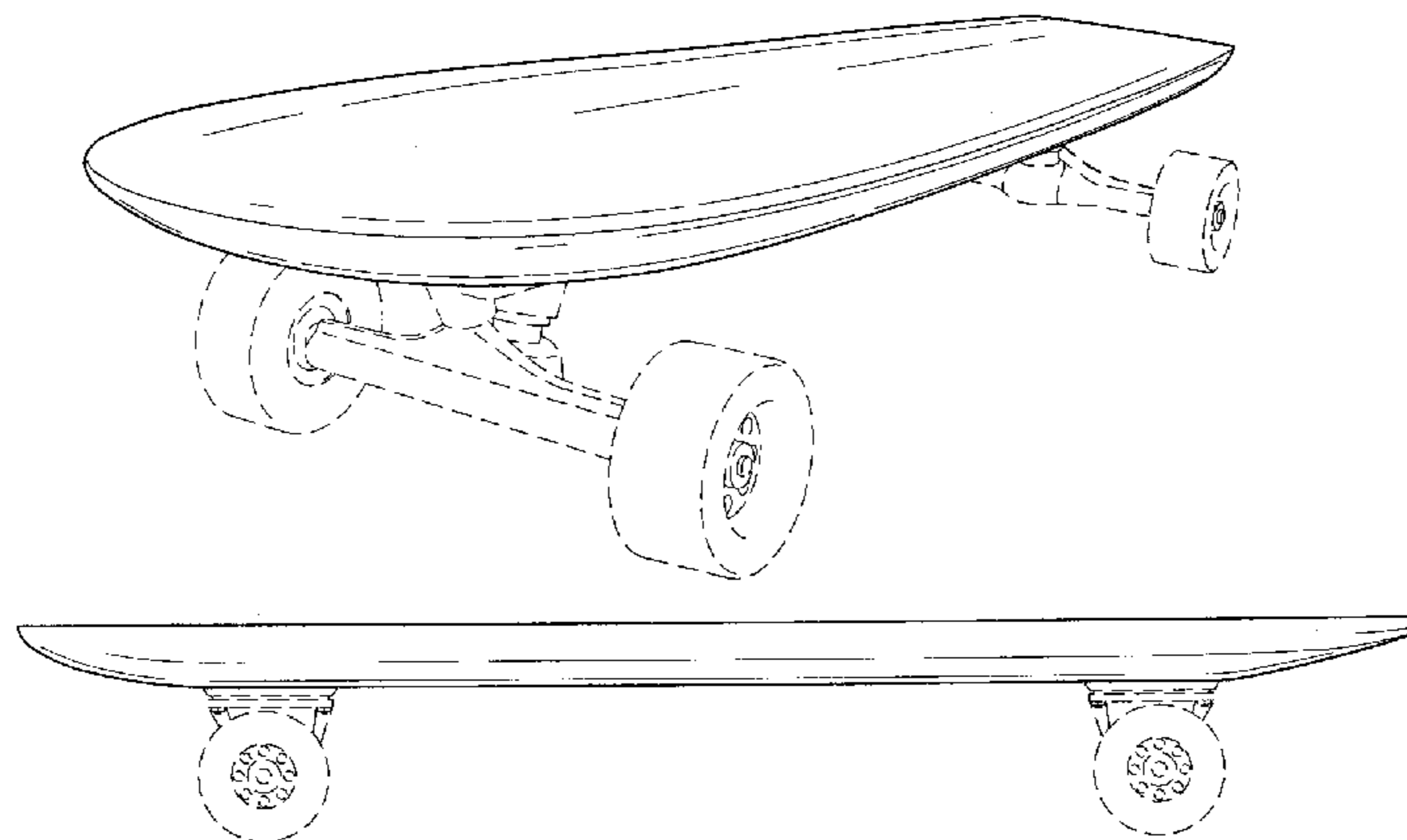
FIG. 4 is a bottom plan view thereof.

FIG. 5 is a front elevational view thereof; and,

FIG. 6 is a rear elevational view thereof.

Any broken lines in the drawings are for illustrative purposes only and form no part of the claimed design.

1 Claim, 2 Drawing Sheets



US D608,851 S

Page 2

U.S. PATENT DOCUMENTS

6,347,681 B1 2/2002 Patmont et al.
D457,587 S * 5/2002 Wolf D21/760
6,428,022 B1 * 8/2002 Namiki 280/87.042
6,467,560 B1 10/2002 Anderson et al.
6,619,679 B2 9/2003 Lan et al.
6,752,229 B2 6/2004 Ho et al.
D498,810 S * 11/2004 Stanisewski, Jr. D21/760
D513,425 S * 1/2006 Kohl D21/765
D517,630 S * 3/2006 Wickstrom D21/769
D572,332 S 7/2008 Sramek et al.
2002/0096380 A1 7/2002 Lai
2002/0163144 A1 11/2002 Guerra
2003/0024752 A1 2/2003 Mayer et al.

2003/0160441 A1 8/2003 Ojeda
2004/0079571 A1 4/2004 Laver et al.
2004/0163867 A1 8/2004 Hillman
2006/0145444 A1 * 7/2006 Garland 280/87.042
2006/0192357 A1 8/2006 Lin
2008/0238013 A1 * 10/2008 Woodall et al. 280/87.042

FOREIGN PATENT DOCUMENTS

FR 1390198 2/1965
FR 2653348 4/1991
JP 06023087 2/1994
JP 2000140190 5/2000
JP 2001259108 9/2001

* cited by examiner

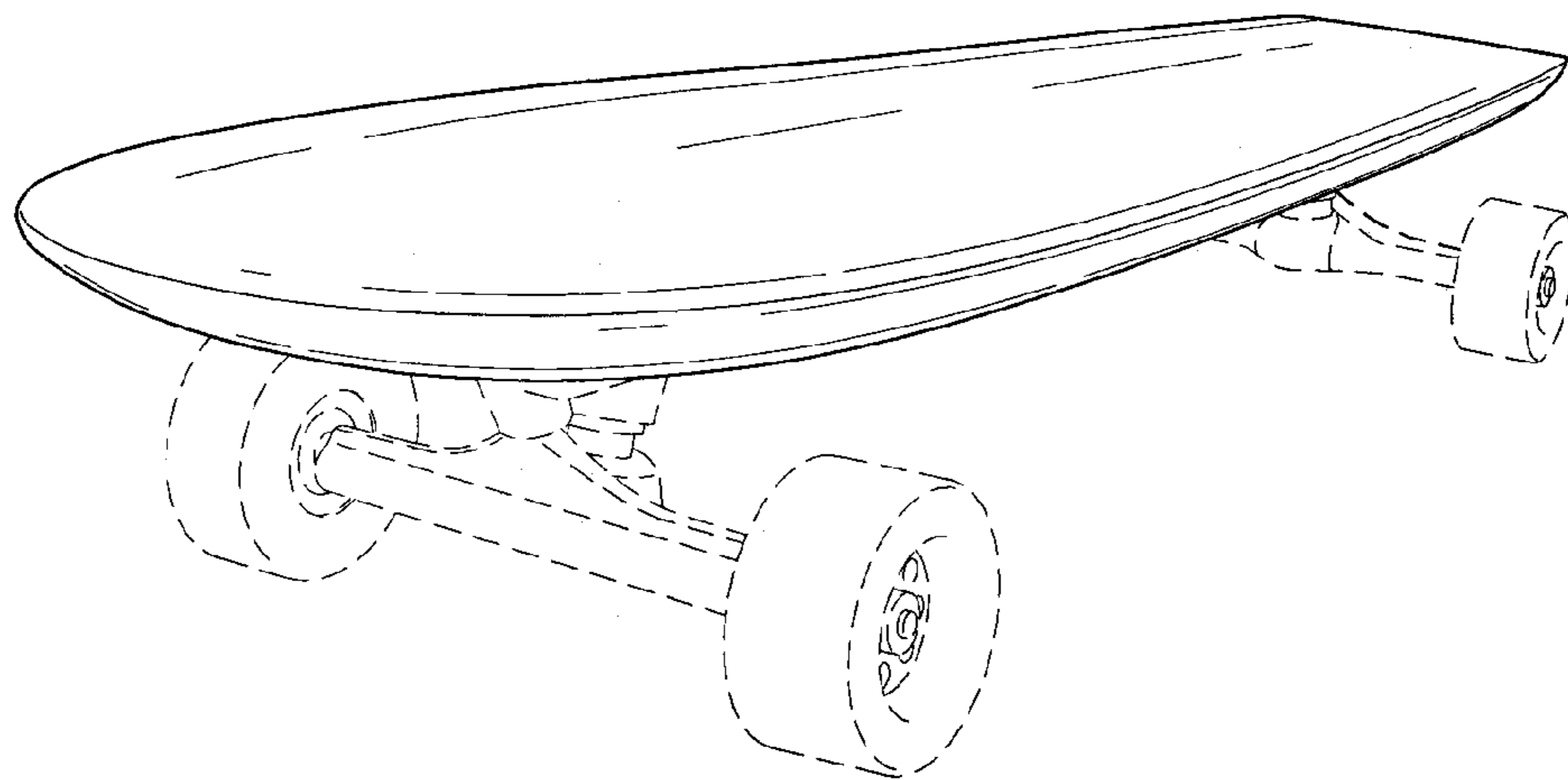


Fig. 1

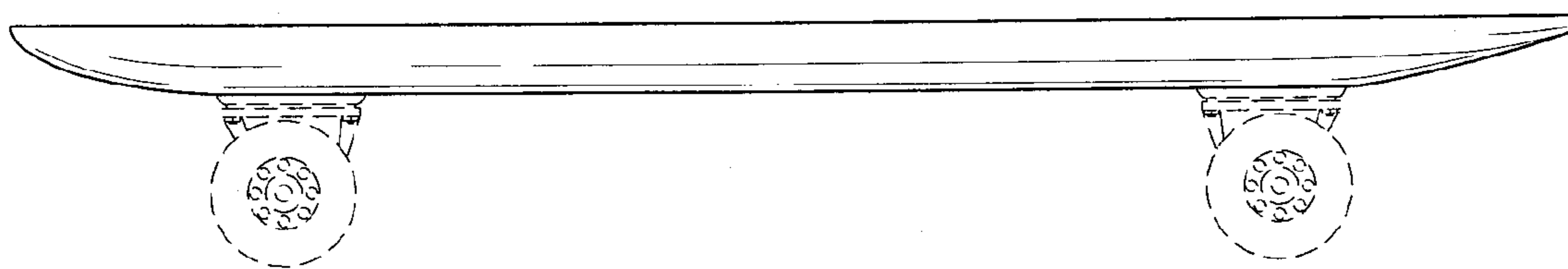


Fig. 2

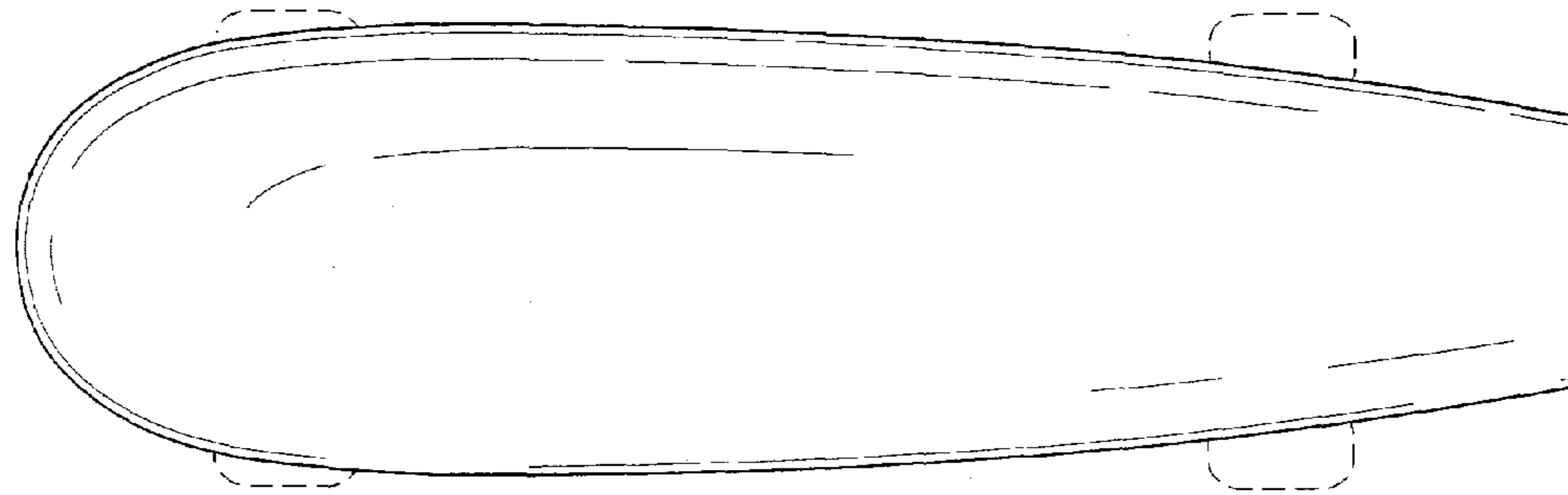


Fig. 3

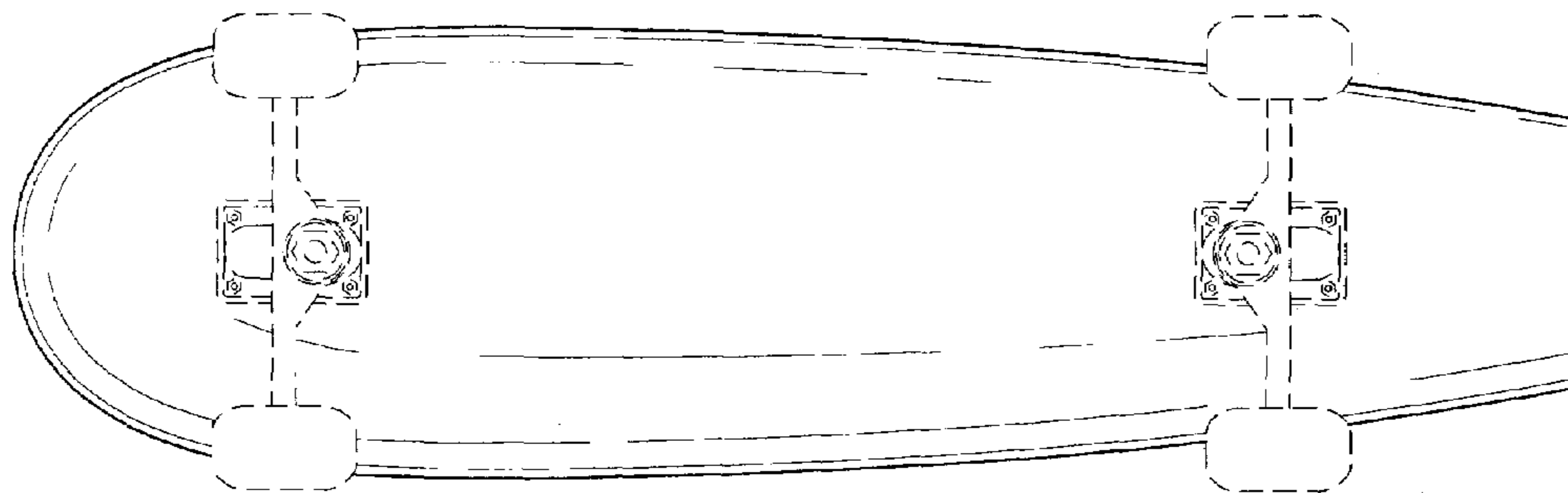


Fig. 4

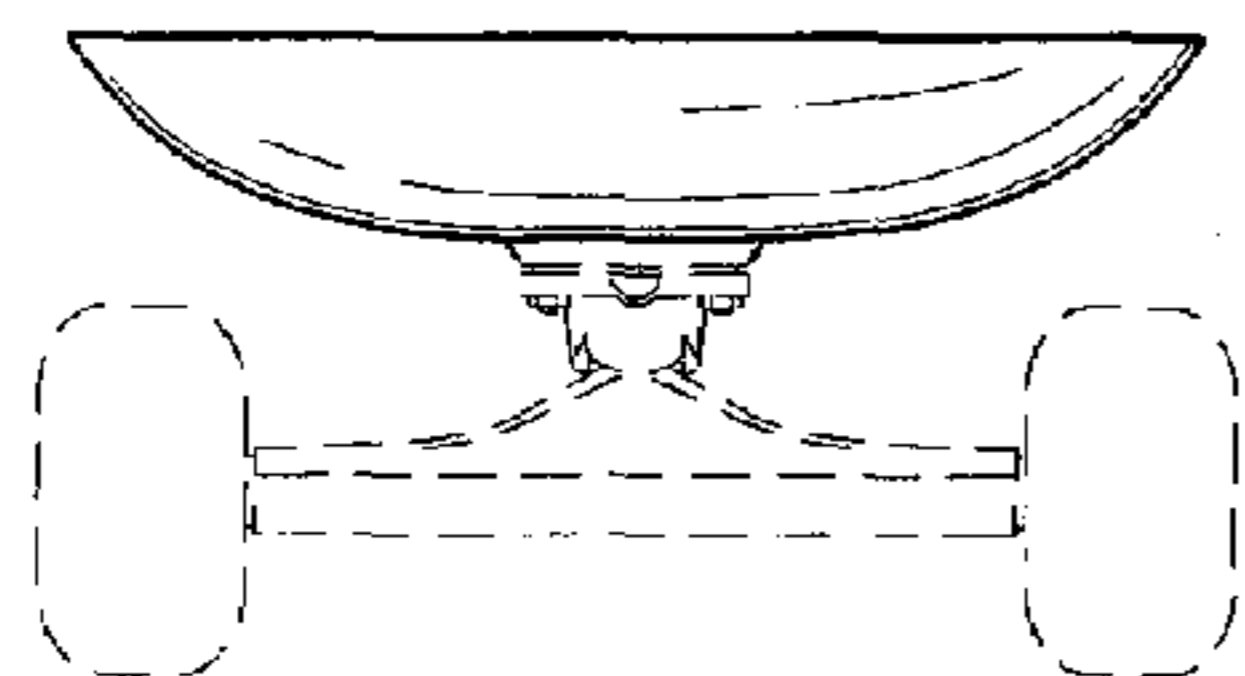


Fig. 5

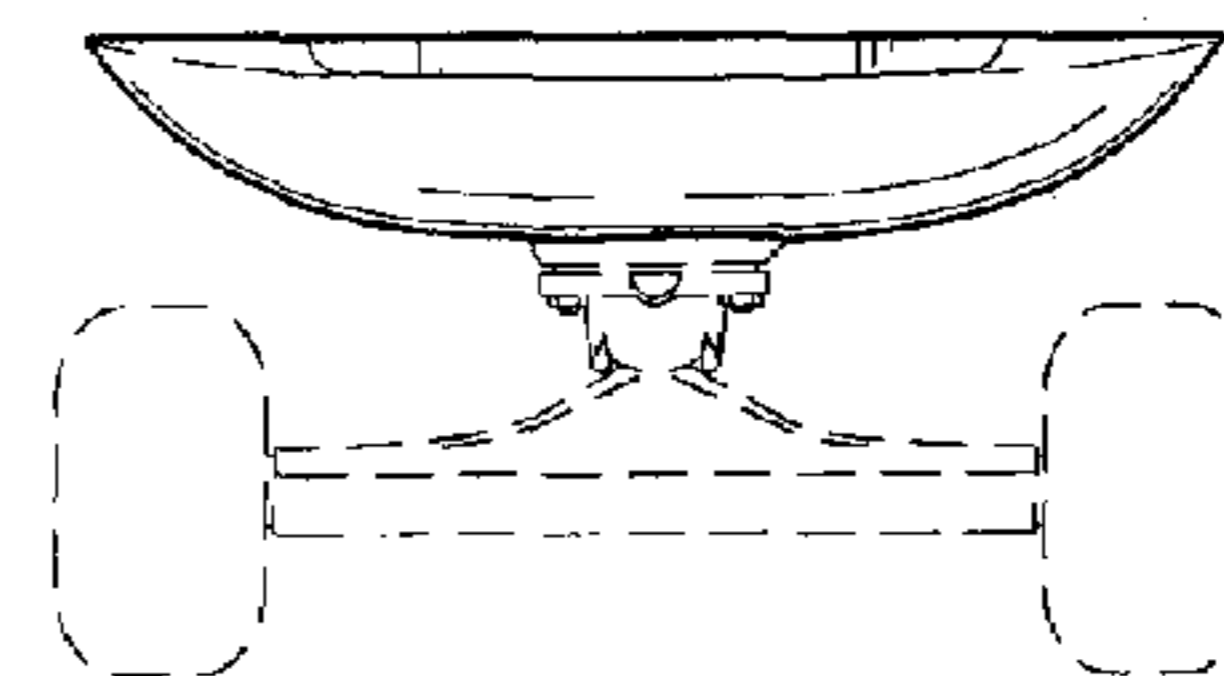


Fig. 6