



US00D608850S

(12) **United States Design Patent**  
**Oldknow**

(10) **Patent No.:** **US D608,850 S**  
(45) **Date of Patent:** **\*\* Jan. 26, 2010**

(54) **GOLF CLUB HEAD**

(75) Inventor: **Andrew G. V. Oldknow**, Portland, OR  
(US)

(73) Assignee: **NIKE, Inc.**, Beaverton, OR (US)

(\*\*) Term: **14 Years**

(21) Appl. No.: **29/346,857**

(22) Filed: **Nov. 6, 2009**

(51) **LOC (9) Cl.** ..... **21-02**

(52) **U.S. Cl.** ..... **D21/759**

(58) **Field of Classification Search** ..... D21/733,  
D21/752, 759; 473/324–331, 343–346  
See application file for complete search history.

(56) **References Cited**

U.S. PATENT DOCUMENTS

D239,187 S	3/1976	Smith	
D275,412 S *	9/1984	Simmons	..... D21/752
D275,590 S	9/1984	Duclos	
D316,583 S	4/1991	Mahaffey et al.	
5,203,565 A	4/1993	Murray et al.	
D363,961 S	11/1995	Krzynowek et al.	
5,544,884 A	8/1996	Hardman	
D379,390 S *	5/1997	Watanabe et al.	..... D21/752
D385,003 S	10/1997	Burrows	
D390,294 S	2/1998	Burrows	
D390,295 S	2/1998	Burrows	
D390,616 S	2/1998	Maltby	
D397,749 S	9/1998	Burrows	
D401,299 S	11/1998	Burrows	
D411,600 S	6/1999	Antonious	
D412,545 S	8/1999	Best et al.	
D413,642 S	9/1999	Burrows	
D413,953 S	9/1999	Burrows	
5,989,134 A	11/1999	Antonious	
D422,327 S *	4/2000	Takaoka et al.	..... D21/733
D436,389 S	1/2001	Adams et al.	
D438,583 S	3/2001	O'Doherty et al.	
6,530,847 B1	3/2003	Antonious	
6,855,068 B2	2/2005	Antonious	
6,860,818 B2	3/2005	Mahaffey et al.	

6,890,267 B2	5/2005	Mahaffey et al.	
D509,272 S	9/2005	Smith et al.	
D514,179 S	1/2006	Chen et al.	
6,988,960 B2 *	1/2006	Mahaffey et al.	..... 473/345
D515,643 S	2/2006	Ortiz	
D516,147 S	2/2006	Imamoto	
D521,090 S	5/2006	Burrows	
D523,498 S *	6/2006	Chen et al.	..... D21/733
D524,392 S	7/2006	Madore et al.	
D524,393 S	7/2006	Madore et al.	
D524,394 S	7/2006	Madore et al.	
D524,395 S	7/2006	Madore et al.	
D524,396 S	7/2006	Madore et al.	

(Continued)

OTHER PUBLICATIONS

Air Bear Woods, Edwin Watts Golf Catalog, Summer 1998, p. 4.

(Continued)

*Primary Examiner*—Mitchell I Siegel

(74) *Attorney, Agent, or Firm*—Banner & Witcoff, Ltd.

(57)

**CLAIM**

The ornamental design for a golf club head, as shown and described.

**DESCRIPTION**

FIG. 1 is a bottom perspective view of a golf club head showing my new design;

FIG. 2 is a bottom view thereof;

FIG. 3 is a rear view thereof;

FIG. 4 is a toe end view thereof;

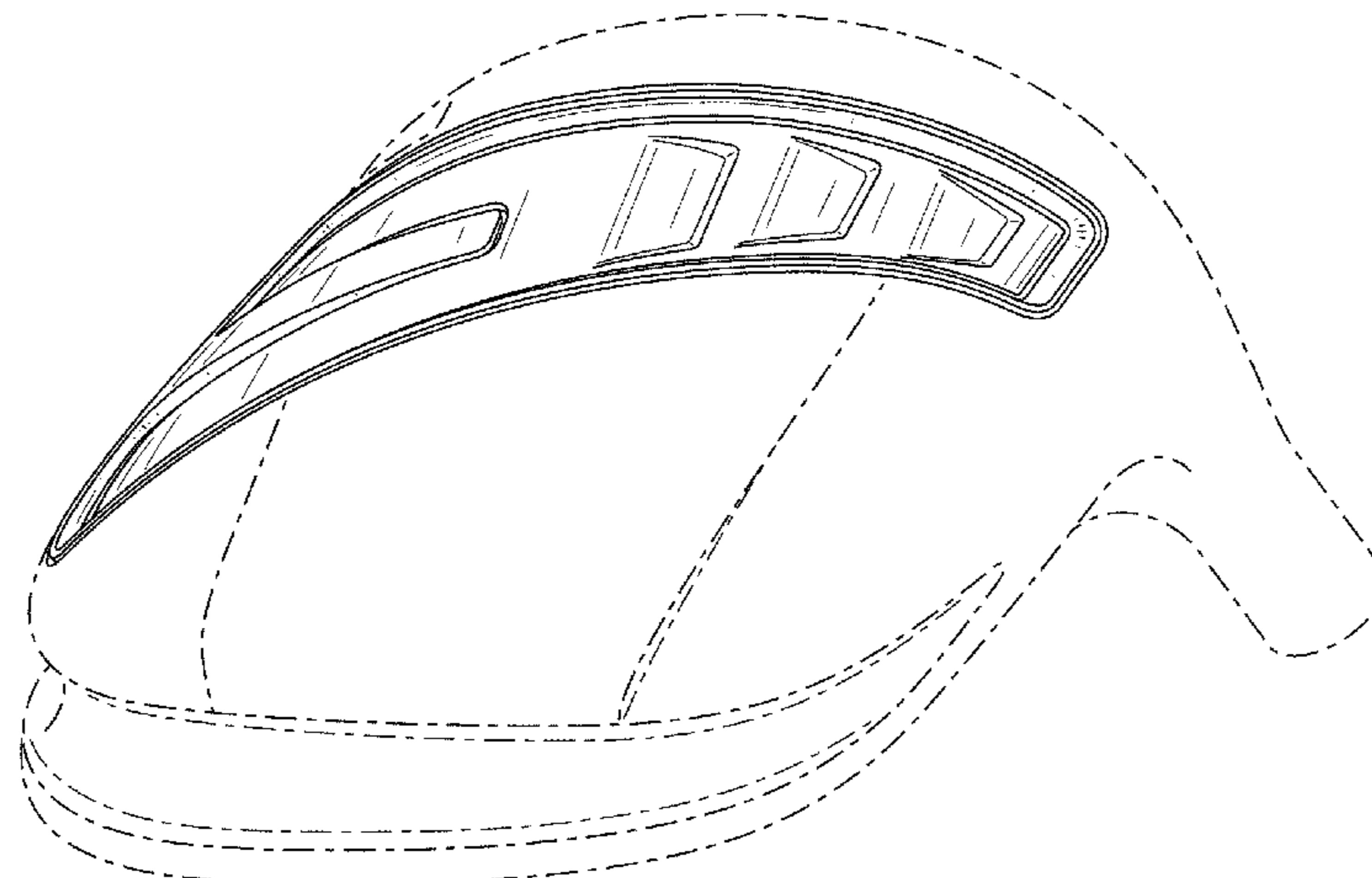
FIG. 5 is a heel end view thereof;

FIG. 6 is a front view thereof; and,

FIG. 7 is a top view thereof.

The uneven broken lines are shown for the purpose of illustrating environmental structure and form no part of the claimed design.

**1 Claim, 4 Drawing Sheets**



# US D608,850 S

Page 2

## U.S. PATENT DOCUMENTS

D524,397 S 7/2006 Madore et al.  
D532,474 S \* 11/2006 Bennett et al. .... D21/759  
D544,561 S 6/2007 Oldknow  
D554,719 S 11/2007 Barez et al.  
D554,720 S 11/2007 Barez et al.  
D561,856 S 2/2008 Barez et al.  
D564,611 S 3/2008 Llewellyn et al.  
D577,400 S \* 9/2008 Oldknow et al. .... D21/759  
D577,406 S \* 9/2008 Oldknow et al. .... D21/759  
D577,784 S \* 9/2008 Oldknow et al. .... D21/759  
D577,786 S \* 9/2008 Oldknow et al. .... D21/759  
D577,787 S \* 9/2008 Oldknow et al. .... D21/759  
D577,788 S \* 9/2008 Oldknow et al. .... D21/759  
D585,952 S 2/2009 Kohno  
D586,415 S 2/2009 Kohno  
D587,772 S 3/2009 Ferguson et al.  
D588,220 S 3/2009 Ferguson et al.  
D589,100 S 3/2009 Rice et al.  
D590,037 S 4/2009 Ruggiero et al.  
D591,810 S 5/2009 Murphy et al.

D591,811 S \* 5/2009 Bosilkovski et al. .... D21/752  
D591,816 S 5/2009 Vehse et al.  
D591,817 S 5/2009 Murphy et al.  
D592,258 S \* 5/2009 Bosilkovski et al. .... D21/752  
D592,721 S 5/2009 Foster et al.  
D594,074 S \* 6/2009 Foster et al. .... D21/752  
D594,919 S 6/2009 Schweigert et al.  
2007/0054751 A1 3/2007 Breier et al.  
2008/0039228 A1 2/2008 Breier et al.  
2008/0268979 A1 10/2008 Stites et al.

## OTHER PUBLICATIONS

XPC3 Driver Head, Golfsmith Golf Catalog, 1998, p. 50.  
O/S Project Power Sweep, Golfsmith Golf Catalog, 2001, p. 53.  
Nike CPR Hybrids, Edwin Watts Golf Catalog, Holiday 2004, p. 9.  
T-Zoid Forged Driver, Edwin Watts Golf Catalog, Holiday 2001, p. 26.  
Cleveland Launcher, Edwin Watts Golf Catalog, Holiday 2002, p. 2.  
T-Zoid Blue Rage, Edwin Watts Golf Catalog, Holiday 2002, p. 26.

\* cited by examiner

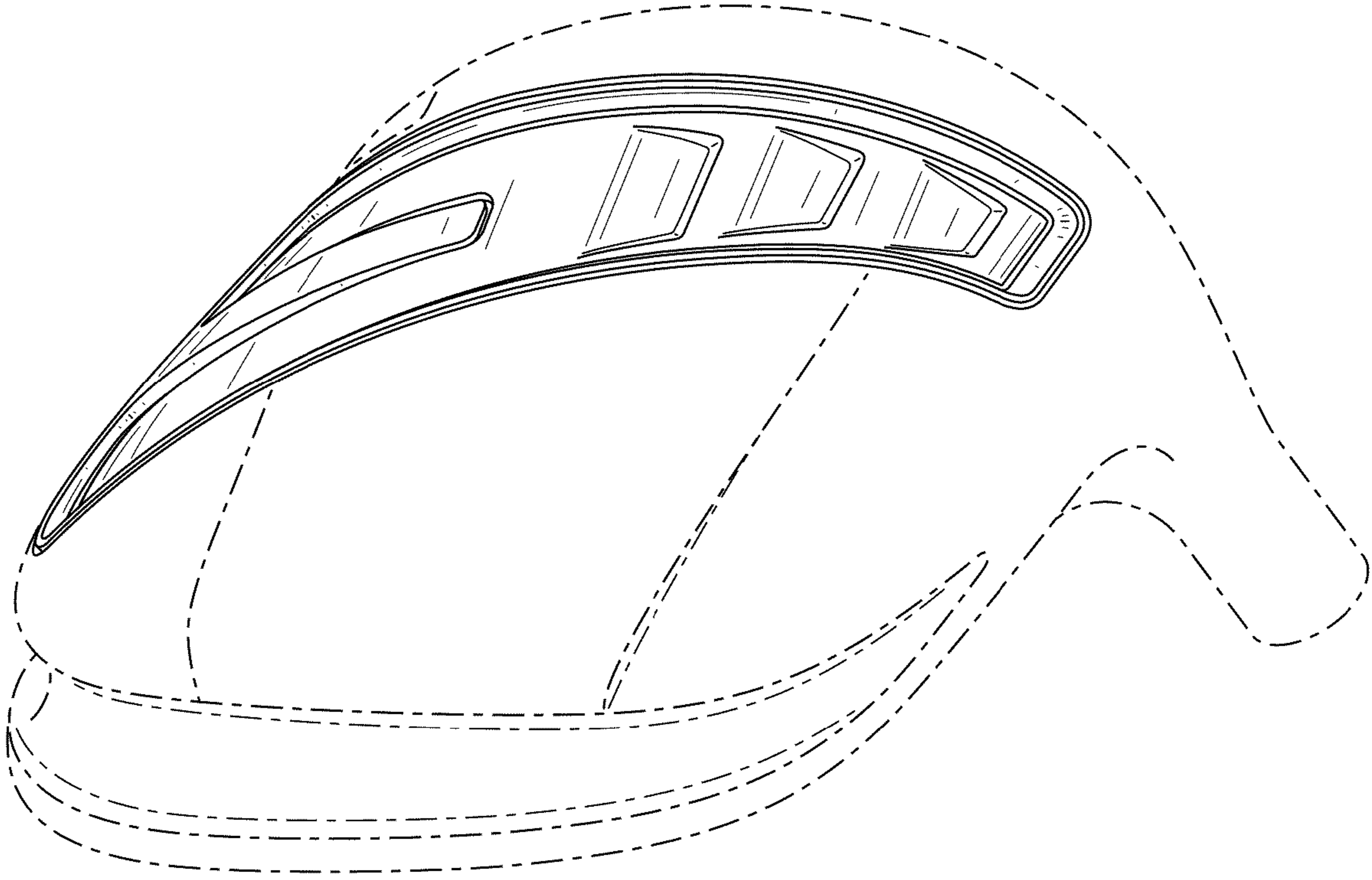


FIG. 1

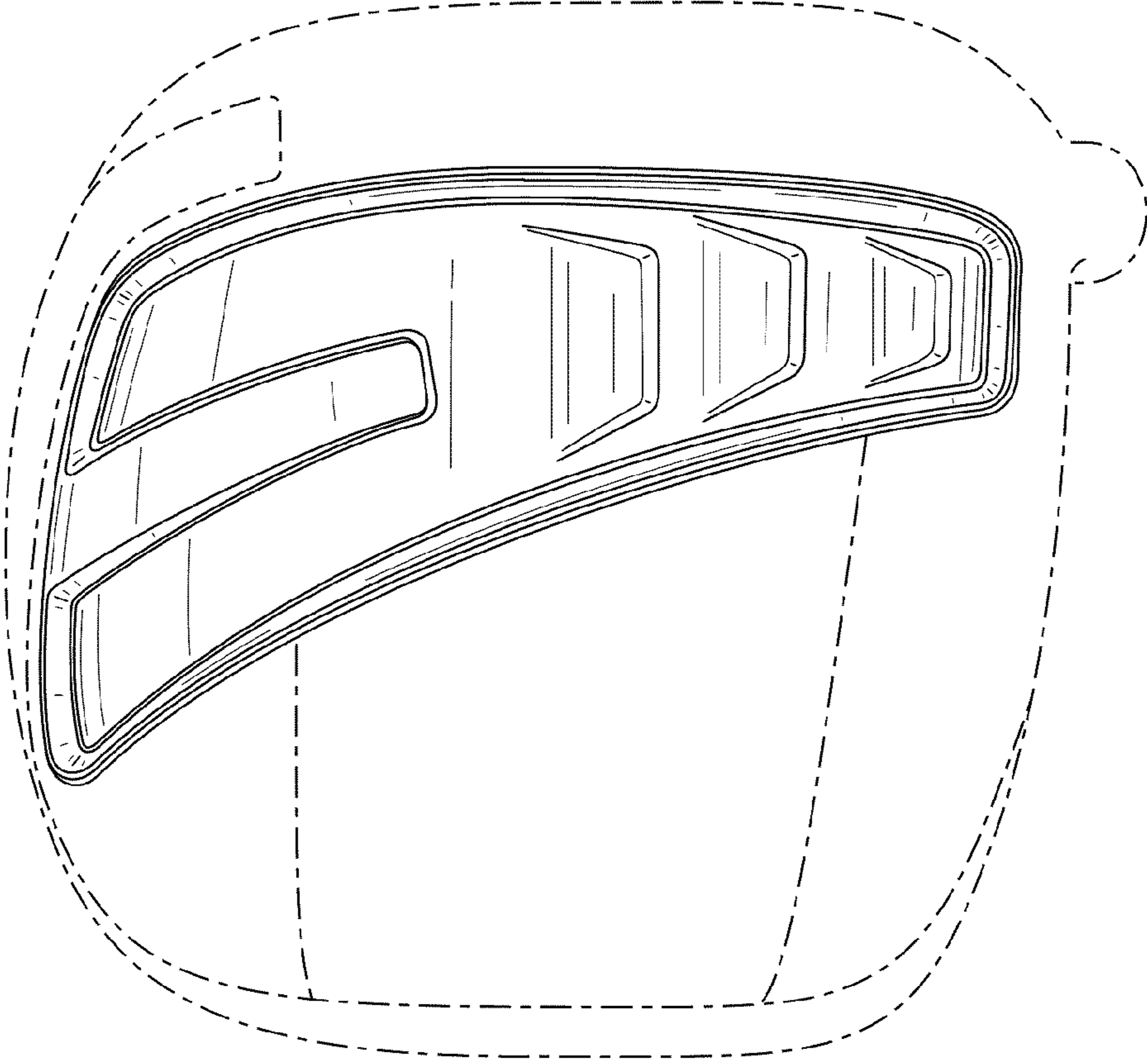


FIG. 2

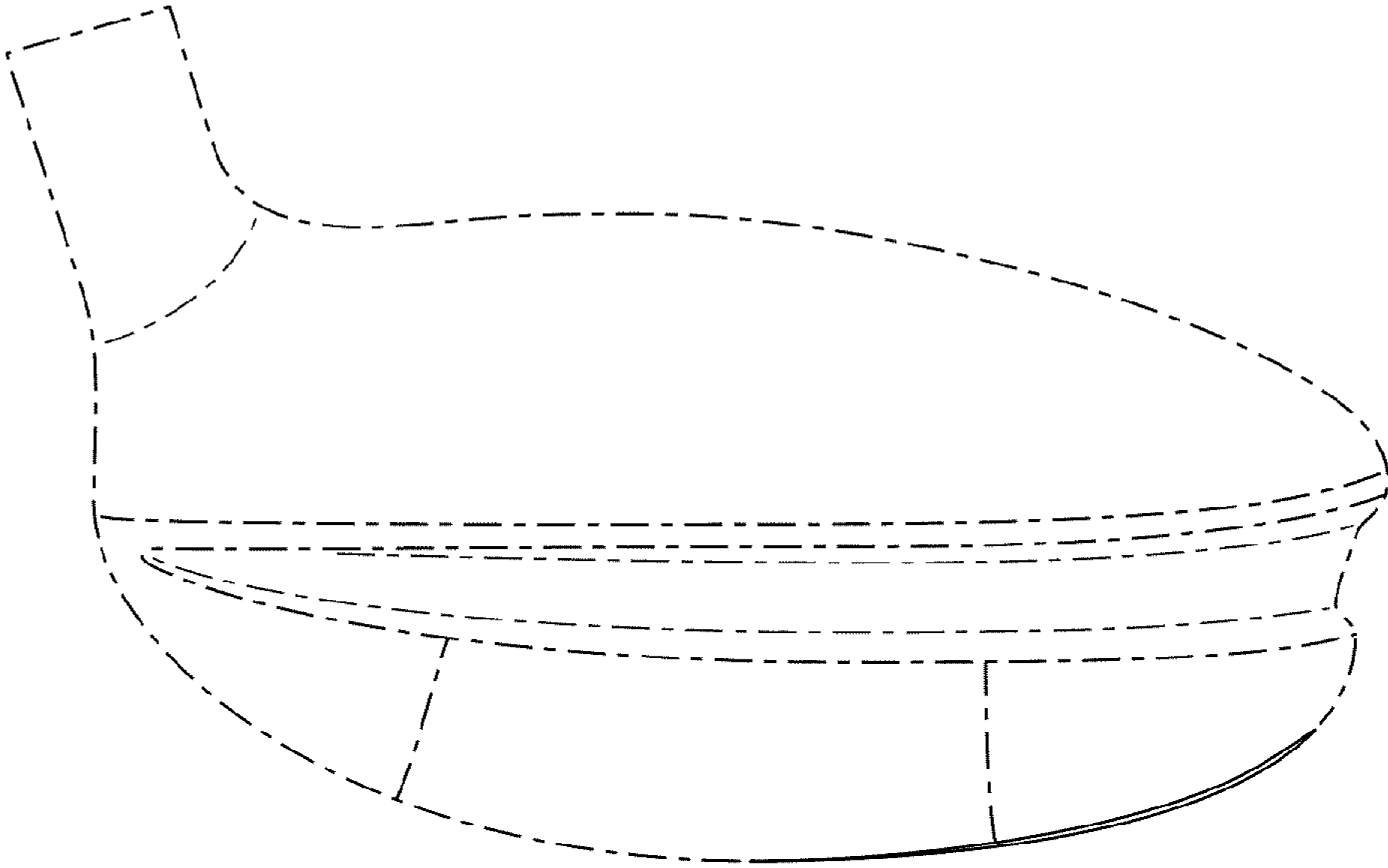


FIG. 3



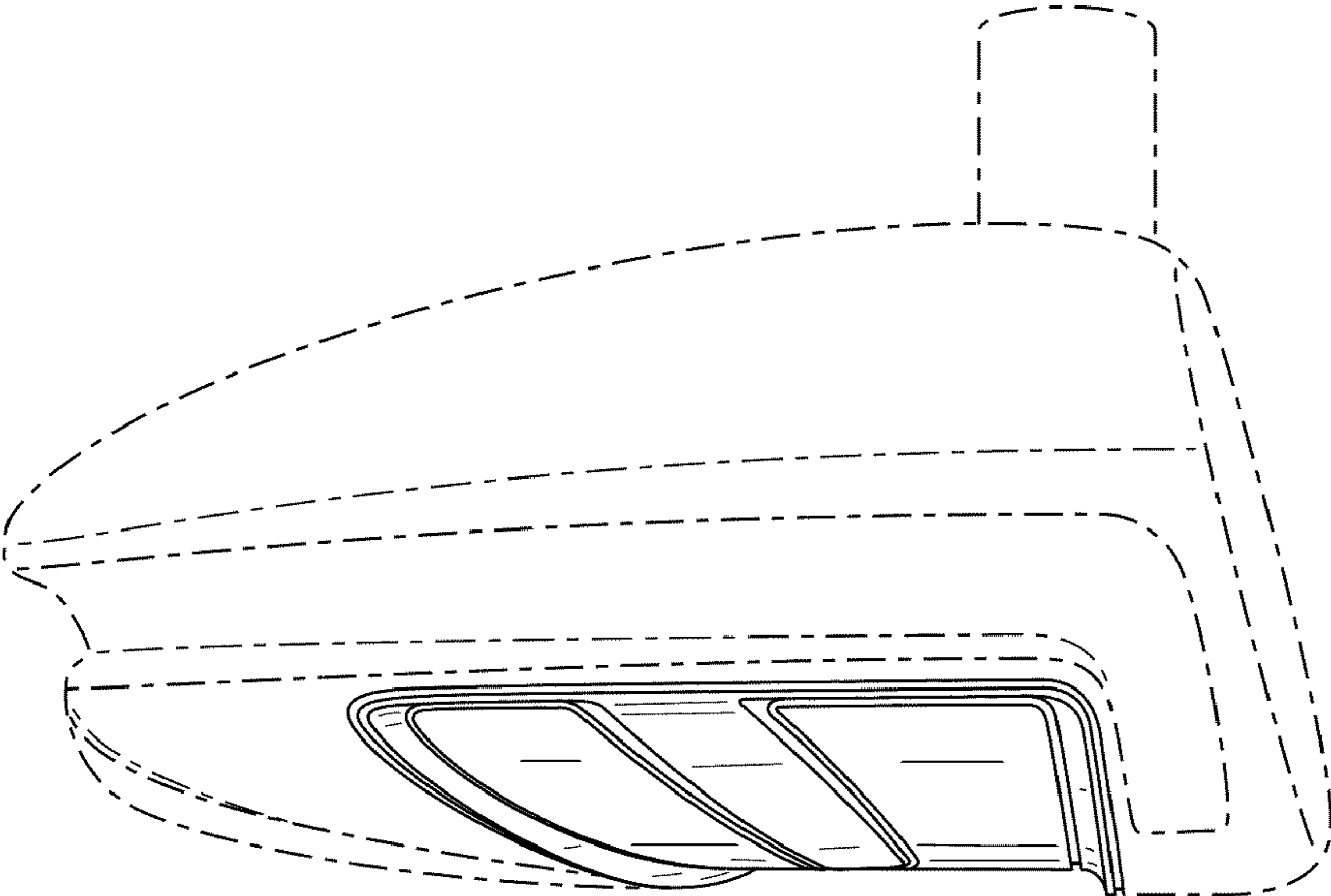


FIG. 4

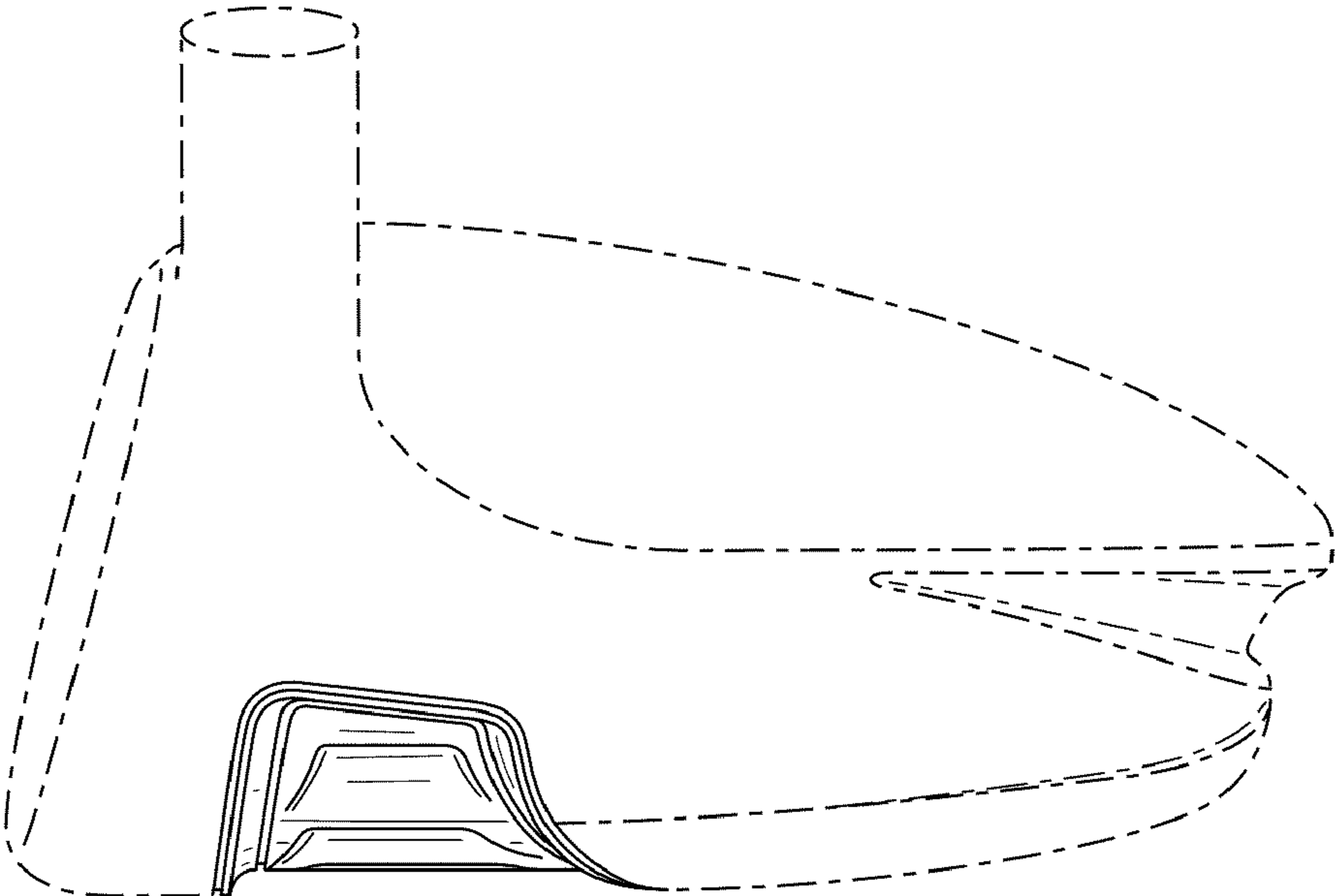


FIG. 5

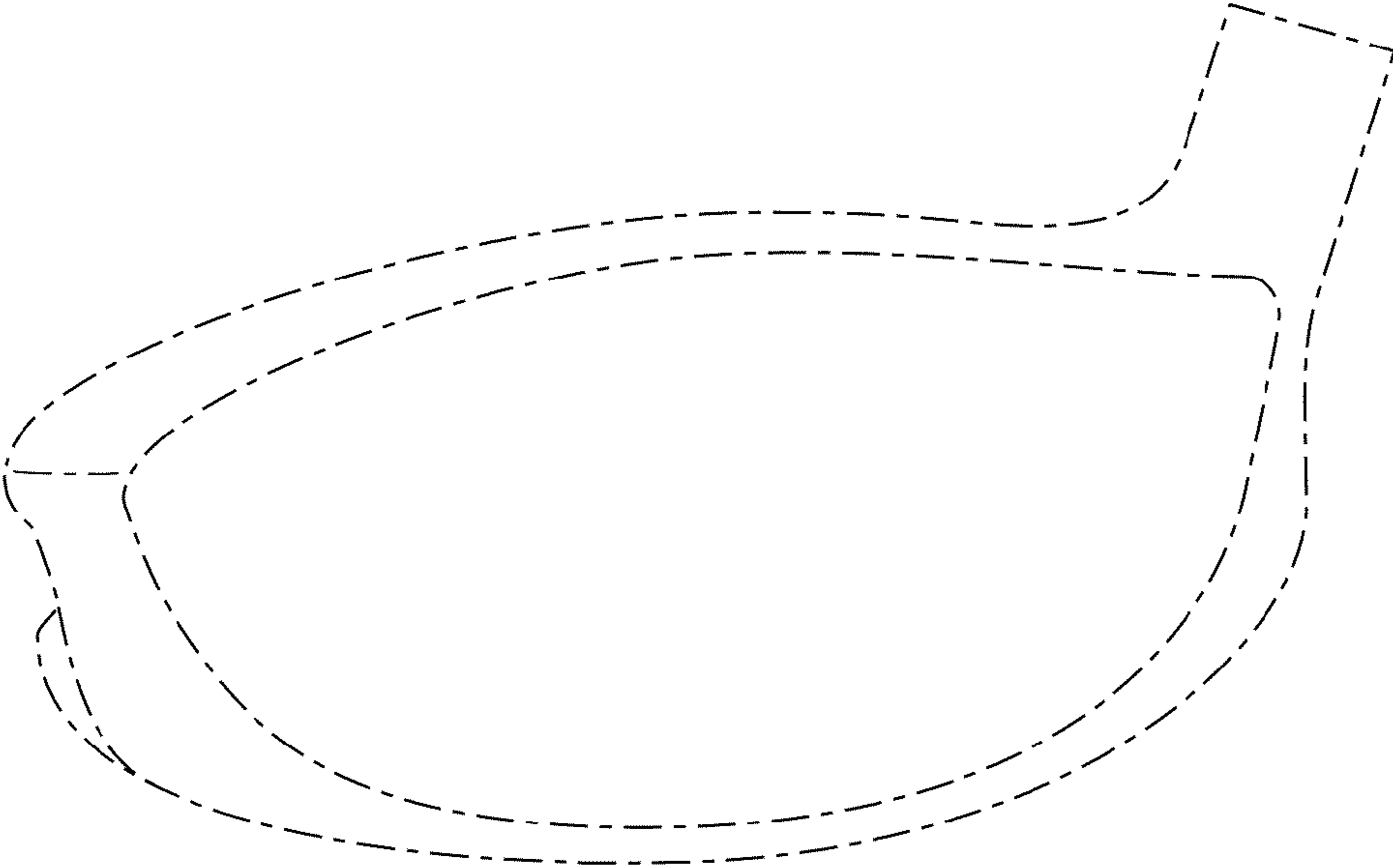


FIG. 6

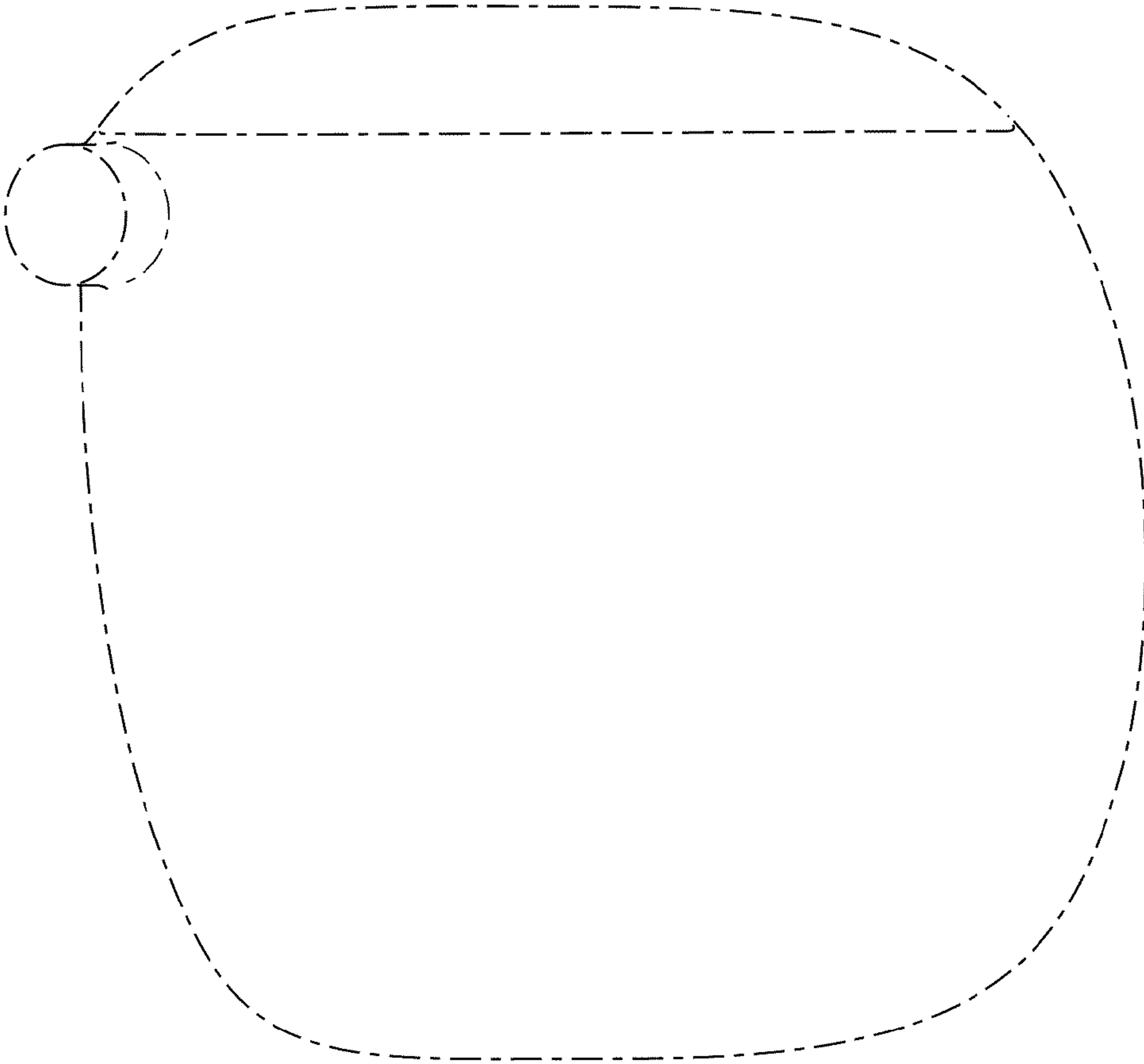


FIG. 7