

US00D608848S

(12) **United States Design Patent**
Quinn

(10) **Patent No.:** **US D608,848 S**
(45) **Date of Patent:** **** Jan. 26, 2010**

(54) **COMBINED MINIATURE BASKETBALL
BACKBOARD AND HOOP**

(75) **Inventor:** **Thomas A. M. Quinn**, Carlsbad, CA
(US)

(73) **Assignee:** **Pro Performance Sports**, San Diego,
CA (US)

(**) **Term:** **14 Years**

(21) **Appl. No.:** **29/337,573**

(22) **Filed:** **May 26, 2009**

(51) **LOC (9) Cl.** **21-02**

(52) **U.S. Cl.** **D21/703**

(58) **Field of Classification Search** D21/302,
D21/303, 305, 699-705, 781; D32/37; D34/4;
D11/133, 157; 473/433, 447, 448, 449, 472,
473/476-489; 273/317.3, 348, 354, 382,
273/389, 398, 400-410

See application file for complete search history.

(56) **References Cited**

U.S. PATENT DOCUMENTS

2,517,463	A *	8/1950	Cobb	473/481
4,468,027	A *	8/1984	Pangburn	473/481
4,483,534	A *	11/1984	O'Donnell	473/486
4,715,600	A *	12/1987	Offutt	473/481
4,926,060	A *	5/1990	Sittig	273/400
5,098,108	A *	3/1992	McKinney	273/400
D327,928	S *	7/1992	Cochran	D21/703
D337,199	S *	7/1993	Ochs	D12/420

5,902,198	A *	5/1999	Martin et al.	473/481
D431,620	S *	10/2000	Hill	D21/704
2004/0224797	A1 *	11/2004	Huang	473/480
2007/0054759	A1 *	3/2007	Nye et al.	473/481

* cited by examiner

Primary Examiner—Catherine Tuttle

(74) *Attorney, Agent, or Firm*—McKee, Voorhees & Sease,
P.L.C.

(57) **CLAIM**

I claim the ornamental design for a miniature basketball backboard and hoop design, substantially as shown.

DESCRIPTION

FIG. 1 is a perspective view of the combined miniature basketball backboard and hoop showing my new design;

FIG. 2 is a front elevational view thereof;

FIG. 3 is a rear elevational view thereof;

FIG. 4 is a right side elevational view thereof;

FIG. 5 is a left side elevational view thereof;

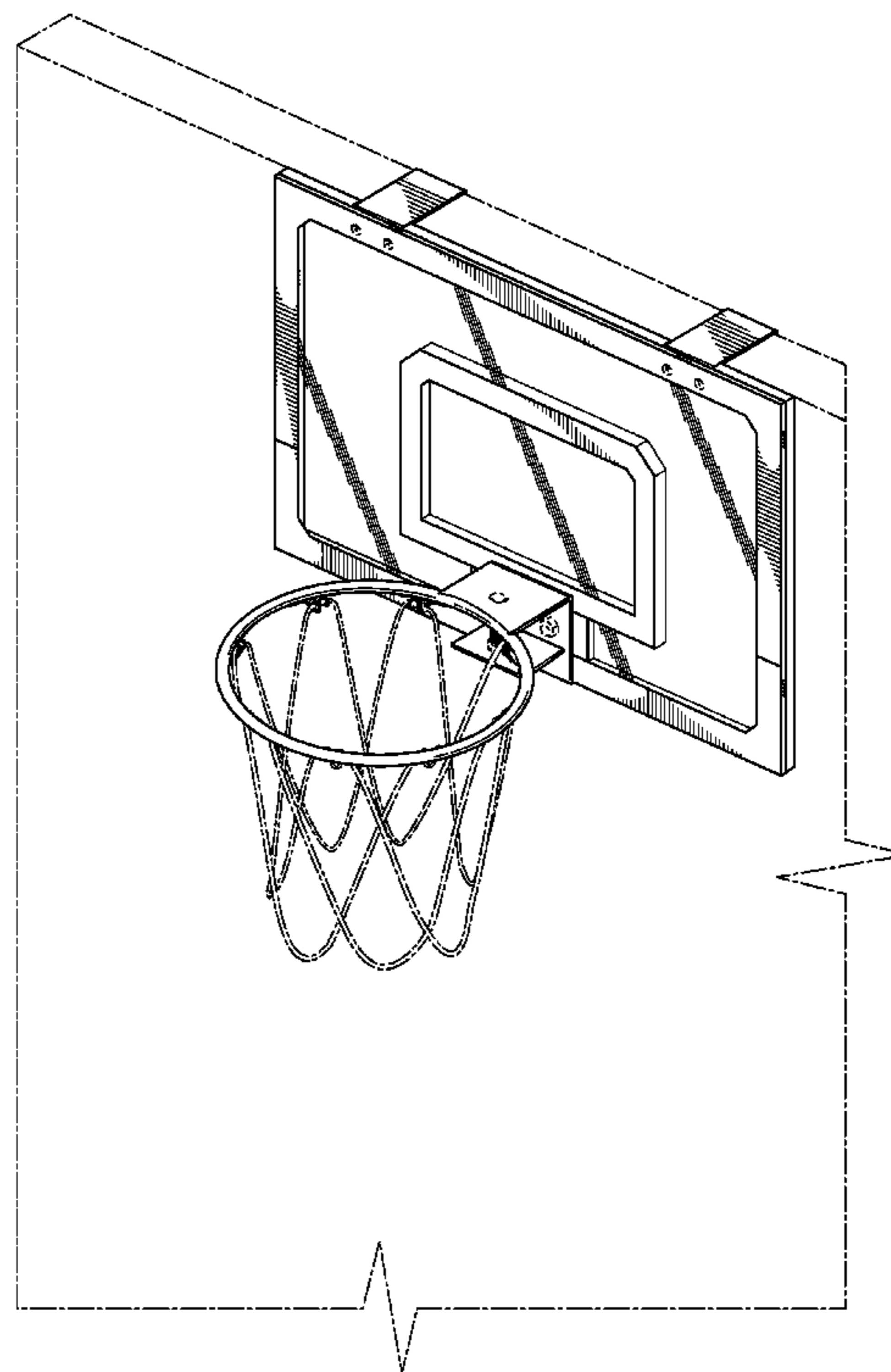
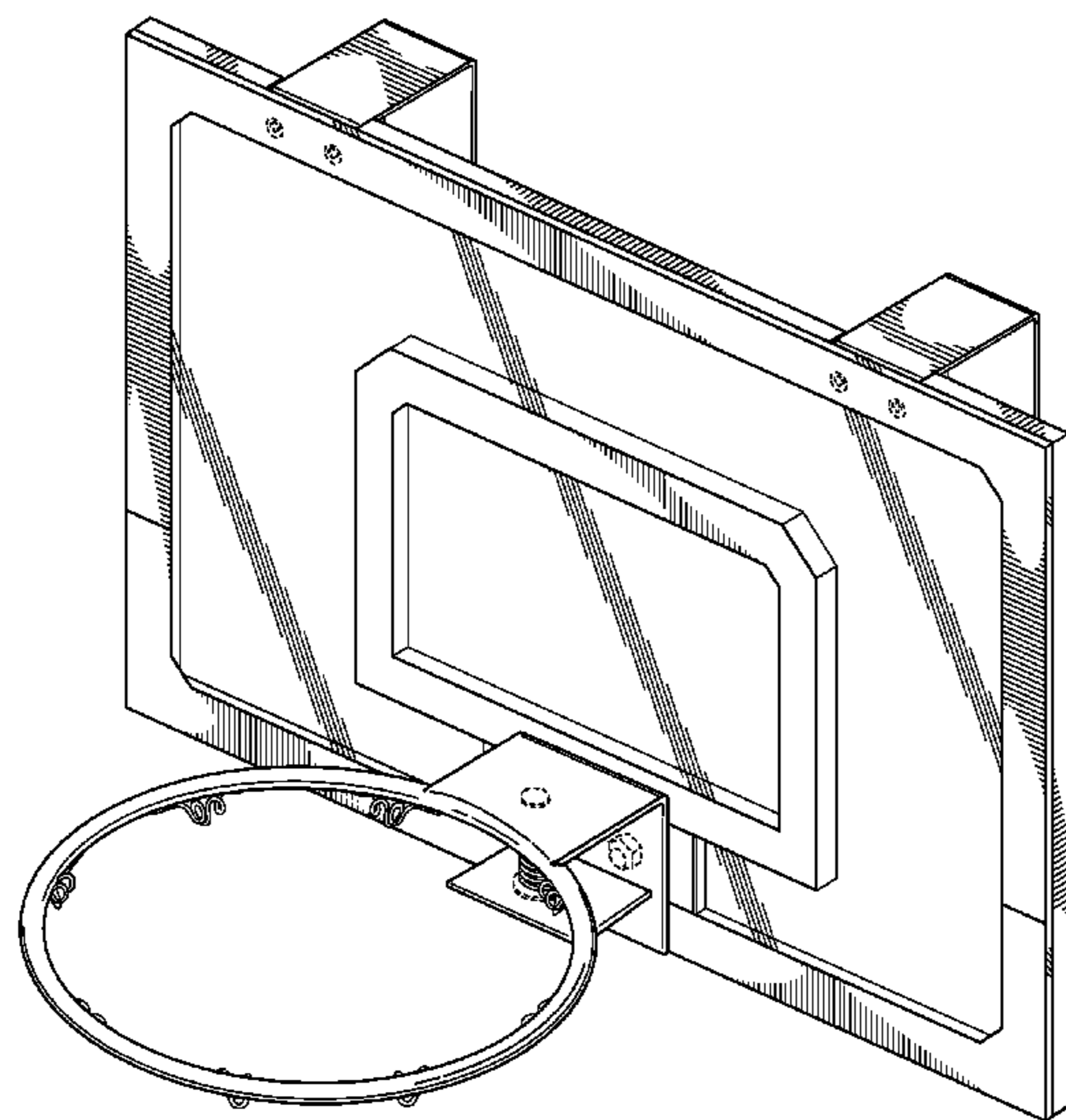
FIG. 6 is a top plan view thereof;

FIG. 7 is bottom plan view thereof; and,

FIG. 8 is a reduced scale perspective view showing the design mounted on a door and with a net attached.

The broken lines are included for the purpose of illustrating portions of the combined miniature basketball backboard and hoop and associated environmental structure (i.e. the net and door) that form no part of the claimed design.

1 Claim, 8 Drawing Sheets



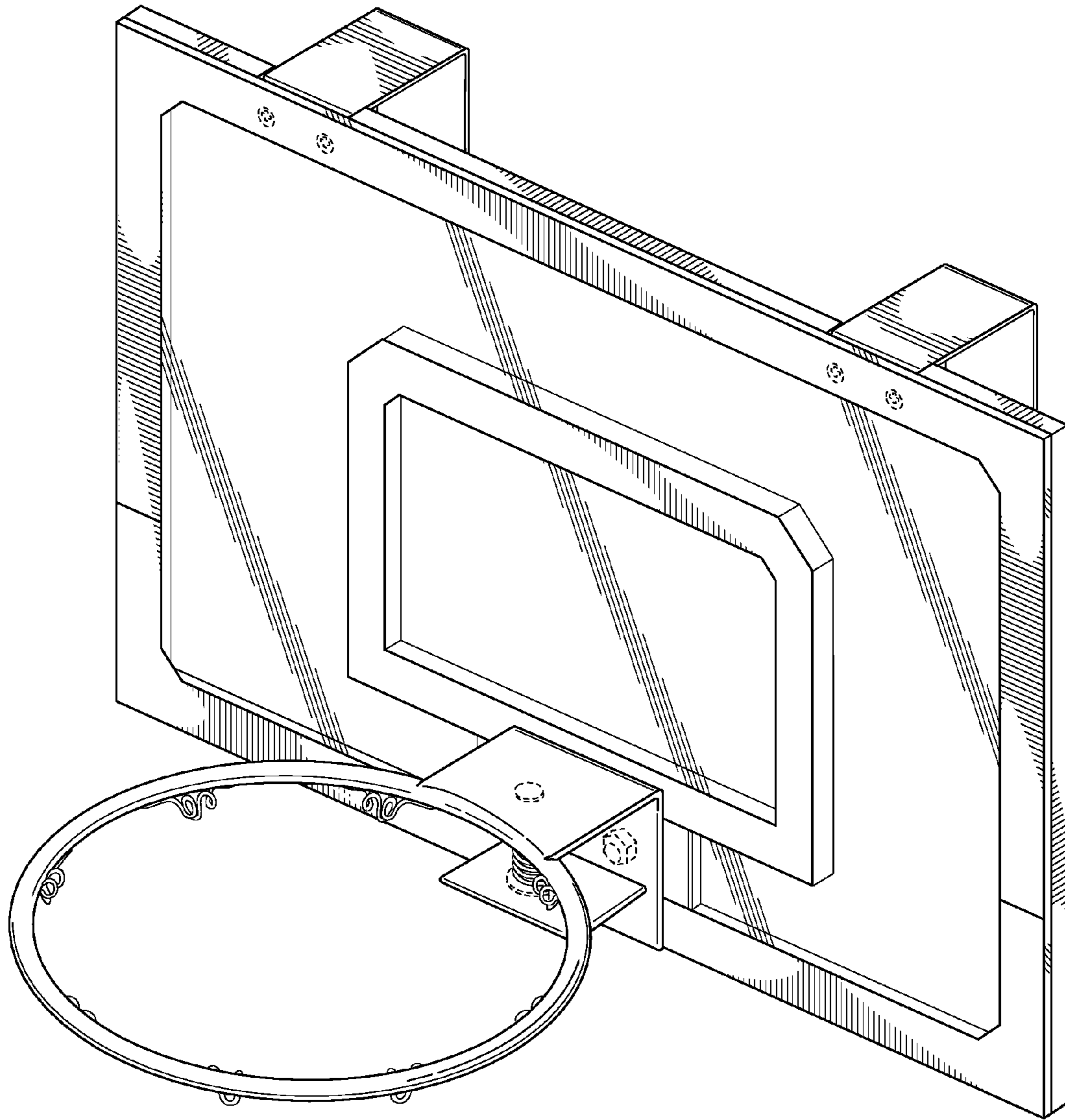


FIG. 1

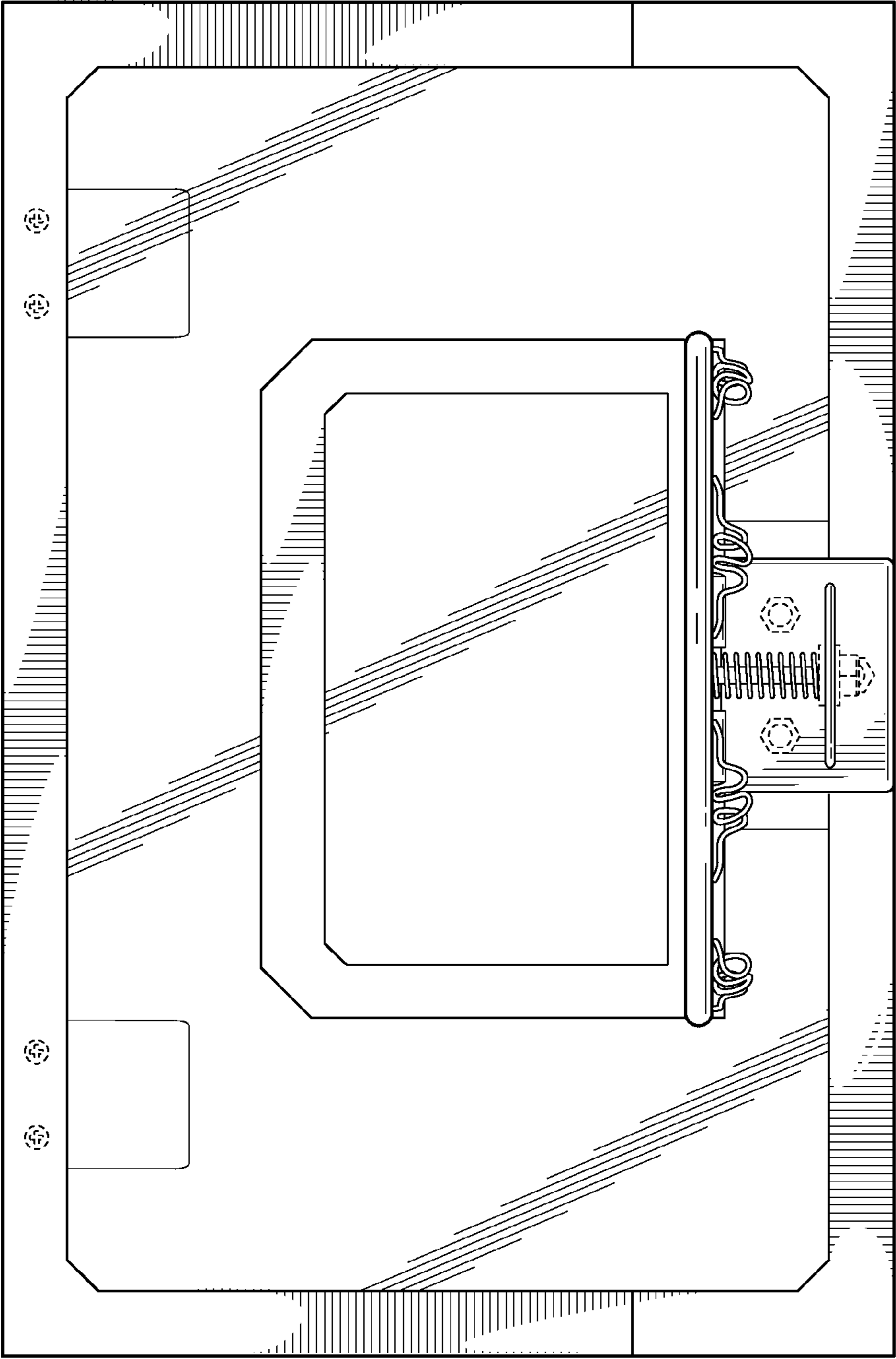


FIG. 2

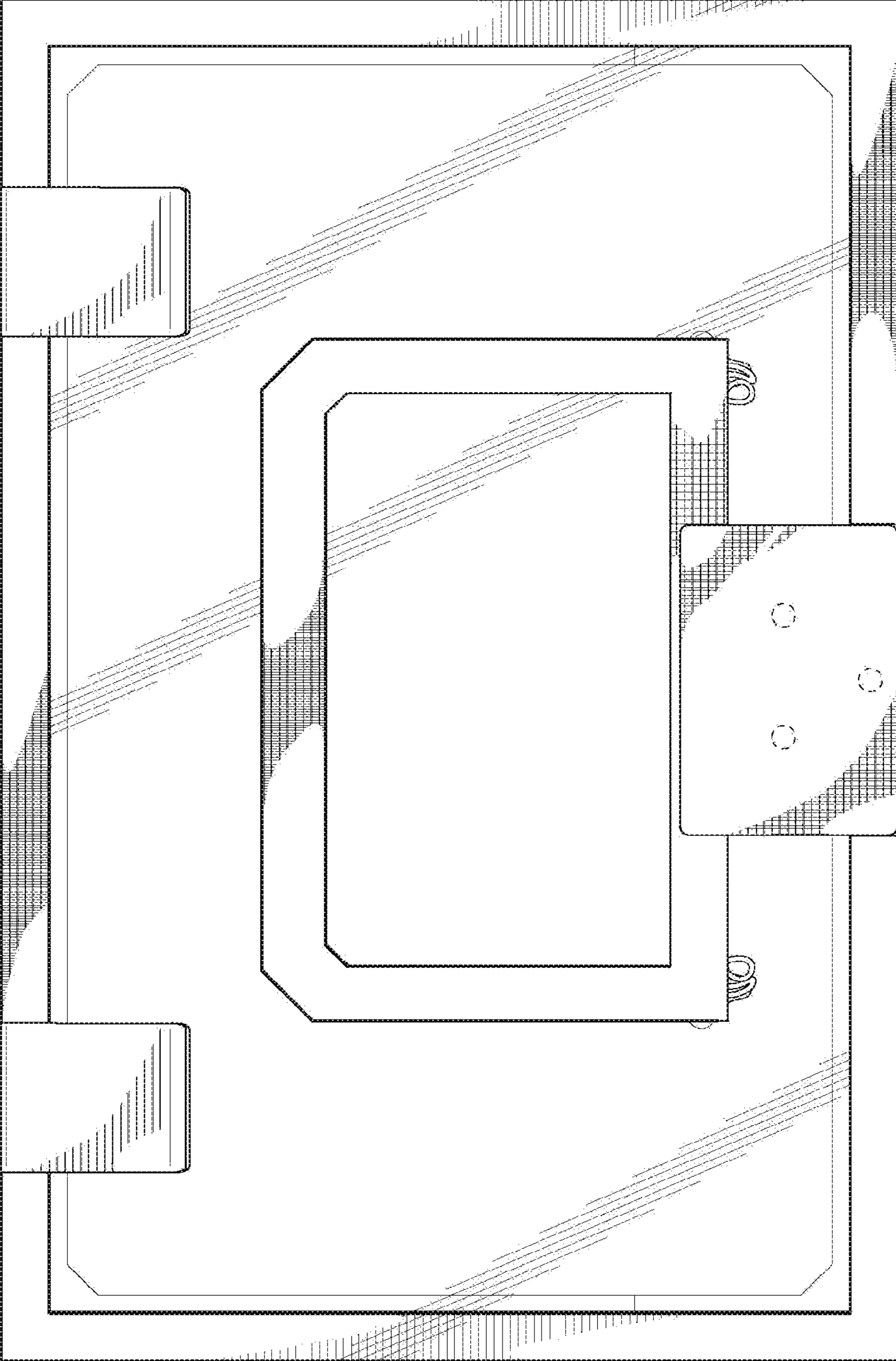


FIG. 3

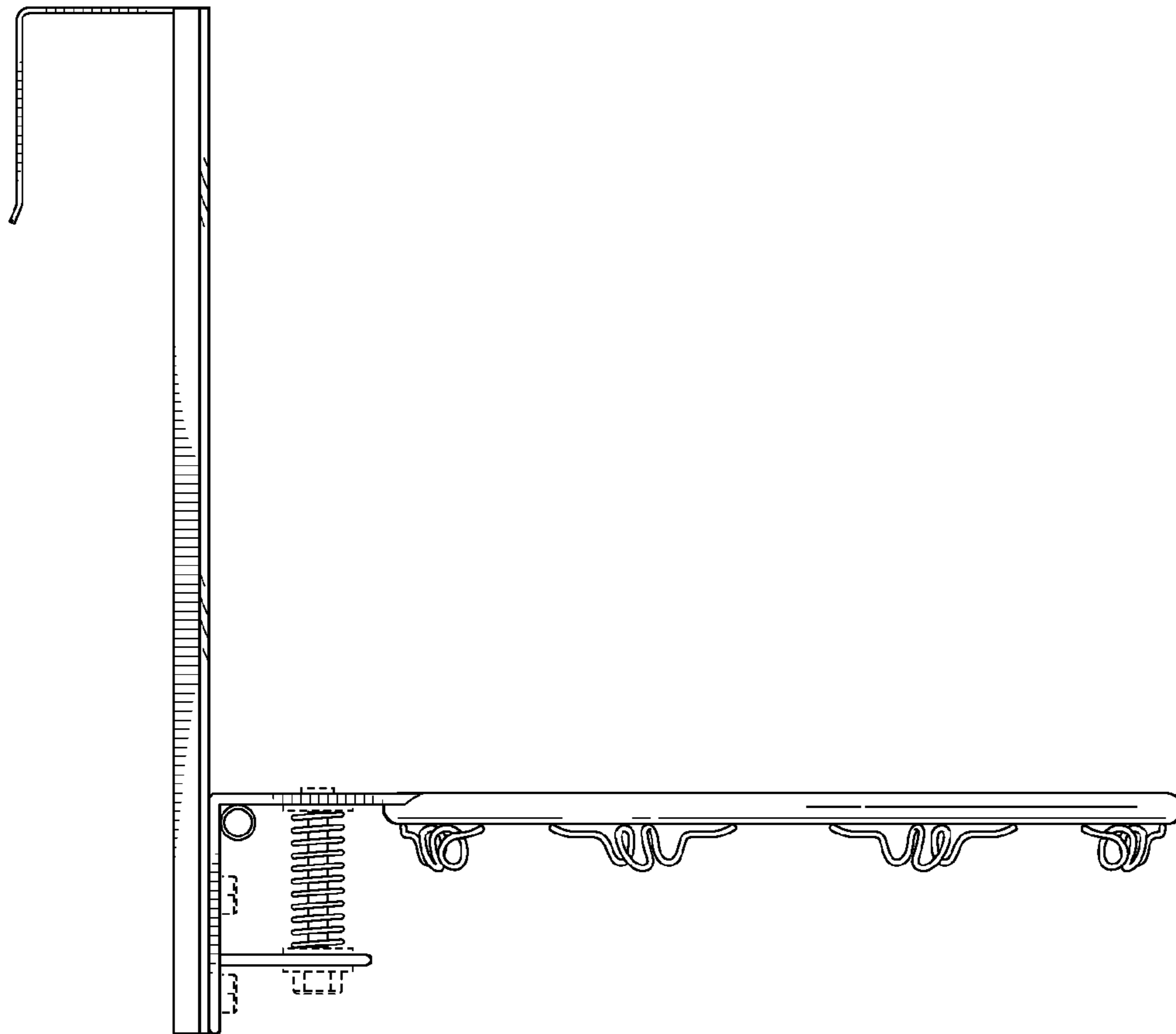


FIG. 4

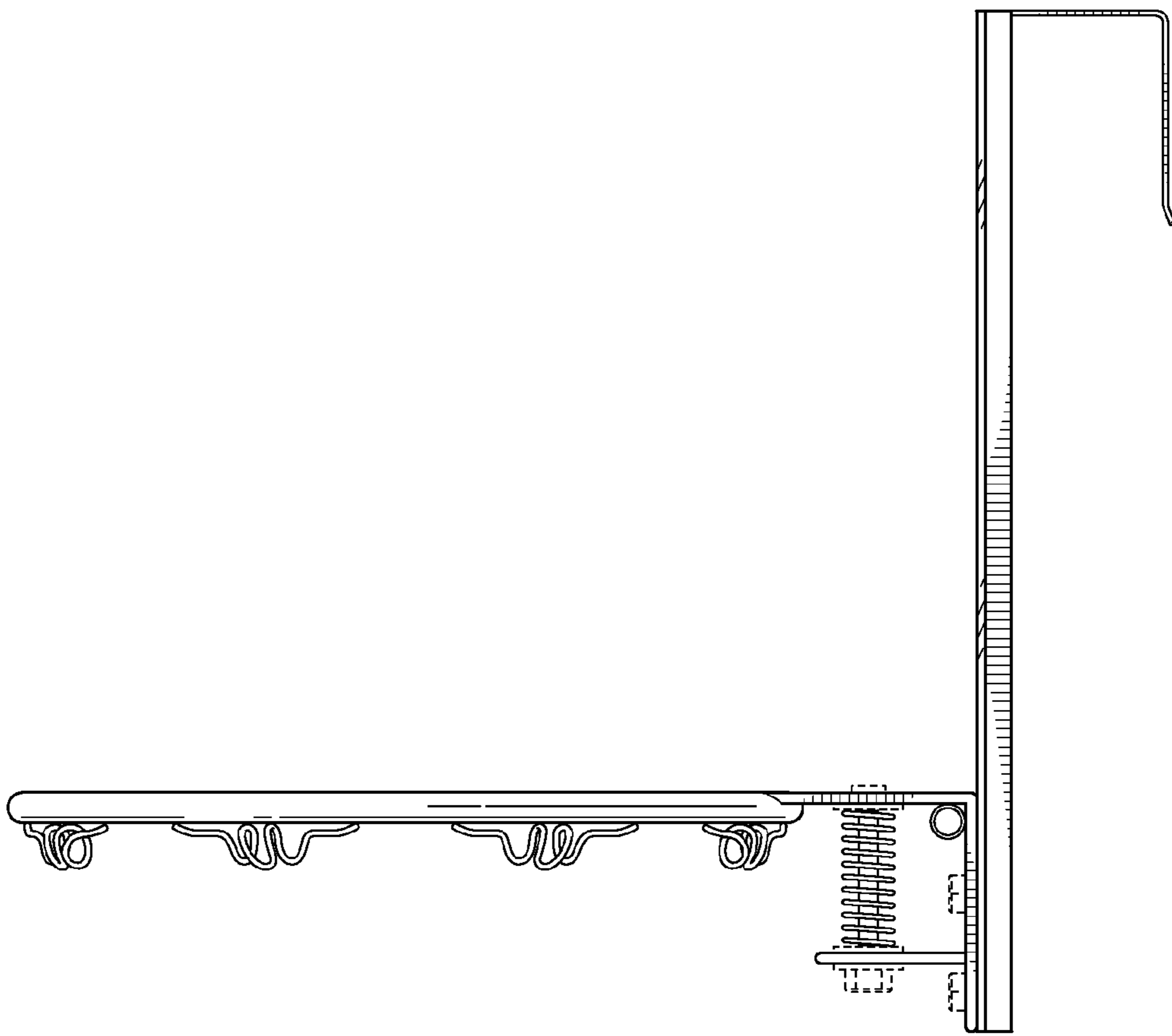


FIG. 5

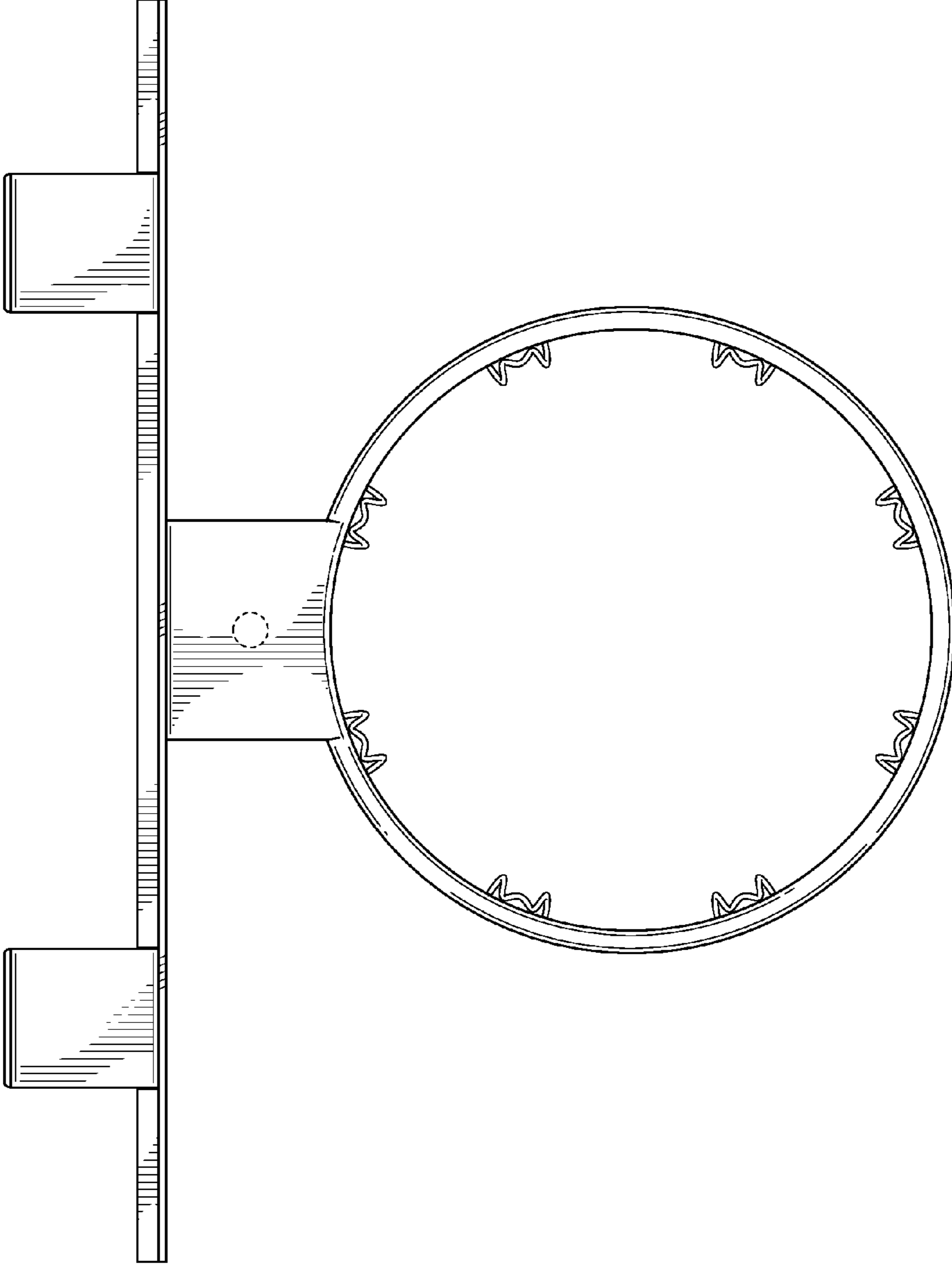


FIG. 6

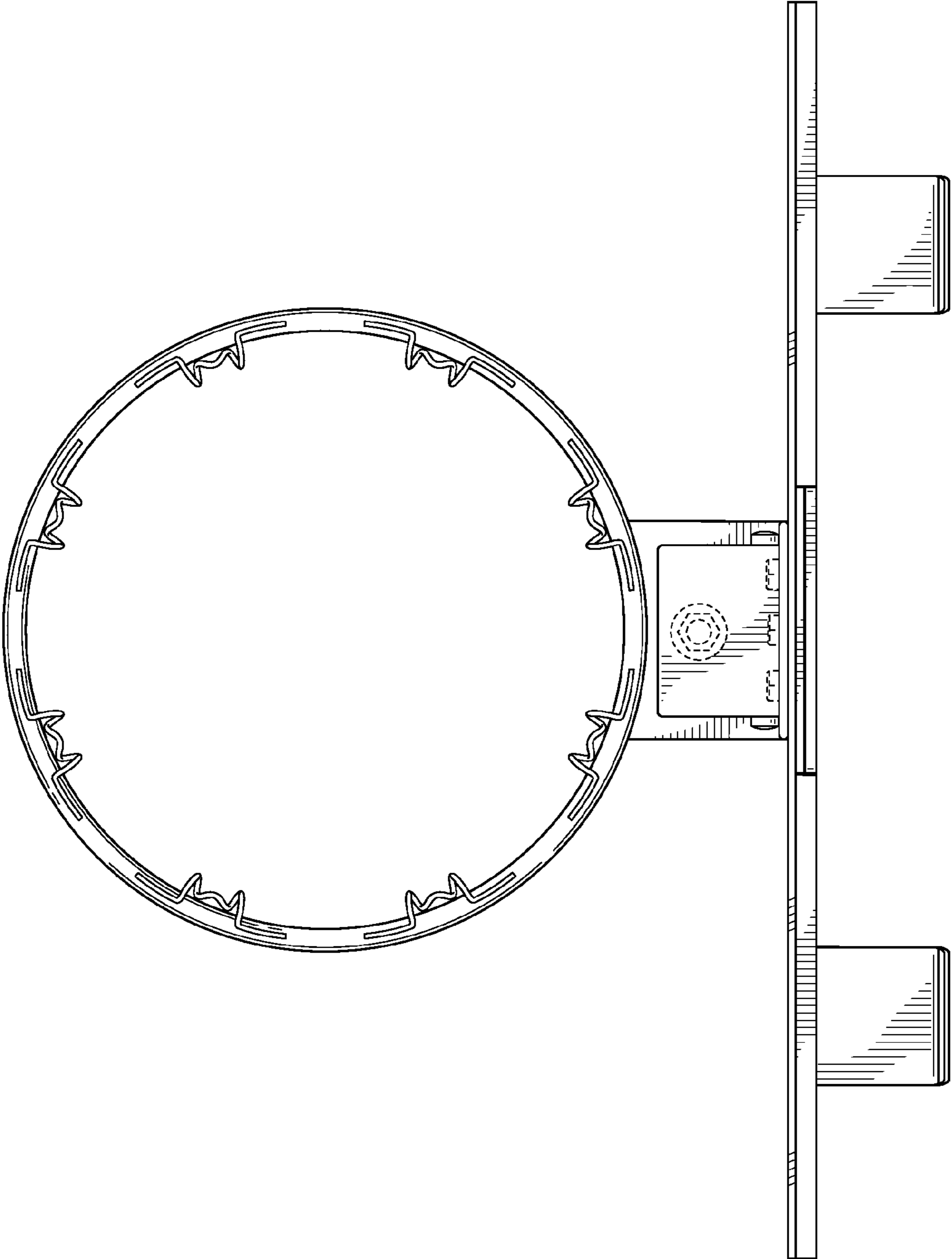


FIG. 7

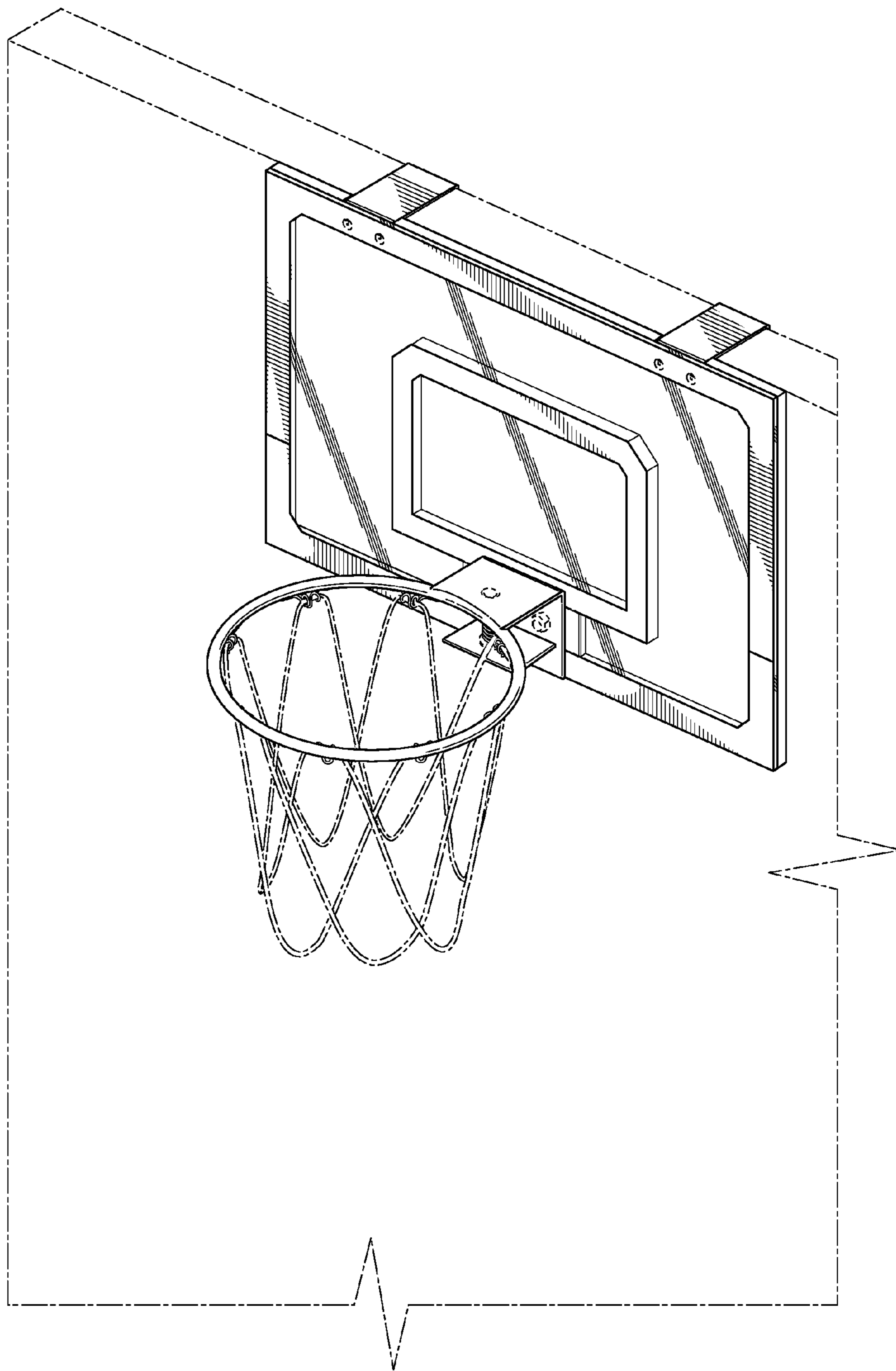


FIG. 8