



US00D608846S

(12) **United States Design Patent**
Su et al.

(10) **Patent No.:** **US D608,846 S**
(45) **Date of Patent:** **** Jan. 26, 2010**

(54) **ROBOT TOY**

(75) Inventors: **Xiao-Guang Su**, Shenzhen (CN);
Feng-Xiang Tang, Shenzhen (CN)

(73) Assignee: **Hon Hai Precision Industry Co., Ltd.**,
Tu-Cheng, Taipei Hsien (TW)

(**) Term: **14 Years**

(21) Appl. No.: **29/325,352**

(22) Filed: **Sep. 30, 2008**

(30) **Foreign Application Priority Data**

Aug. 5, 2008 (CN) 2008 3 0301142

(51) **LOC (9) Cl.** **21-01**

(52) **U.S. Cl.** **D21/599; D21/592; D21/659**

(58) **Field of Classification Search** D21/576,
D21/578, 584–585, 587–593, 595, 597–603,
D21/658–659; D11/158; 446/73, 97, 268–269,
446/279, 288, 369, 376; D30/160
See application file for complete search history.

(56) **References Cited**

U.S. PATENT DOCUMENTS

D345,399 S * 3/1994 Pachol et al. D21/599

D350,577 S * 9/1994 Giudice D21/599
D370,037 S * 5/1996 Berggreen D21/597
D461,871 S * 8/2002 Flowers D21/597
D569,452 S * 5/2008 Bruneel D21/599

OTHER PUBLICATIONS

TST Advance Inc. Brochure. T423 Key Ring.*

* cited by examiner

Primary Examiner—Sandra Morris

(74) *Attorney, Agent, or Firm*—Frank R. Niranjana

(57) **CLAIM**

The ornamental design for a robot toy, as shown and described.

DESCRIPTION

FIG. 1 is a perspective view of a robot toy showing our new design;

FIG. 2 is a front elevational view thereof;

FIG. 3 is a rear elevational view thereof;

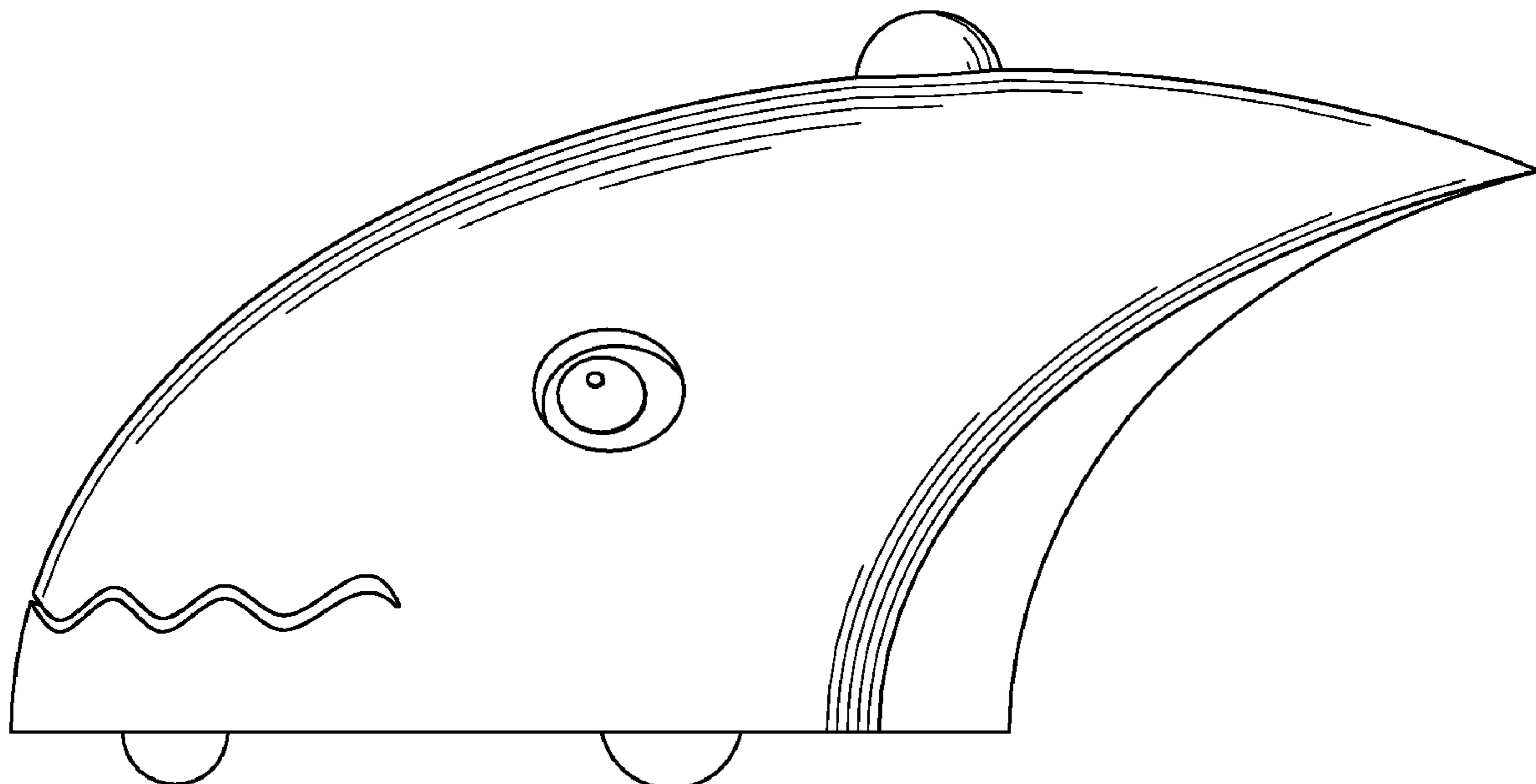
FIG. 4 is a left side, elevational view thereof;

FIG. 5 is a right side, elevational view thereof;

FIG. 6 is a top plan view thereof; and,

FIG. 7 is a bottom plan view thereof.

1 Claim, 7 Drawing Sheets



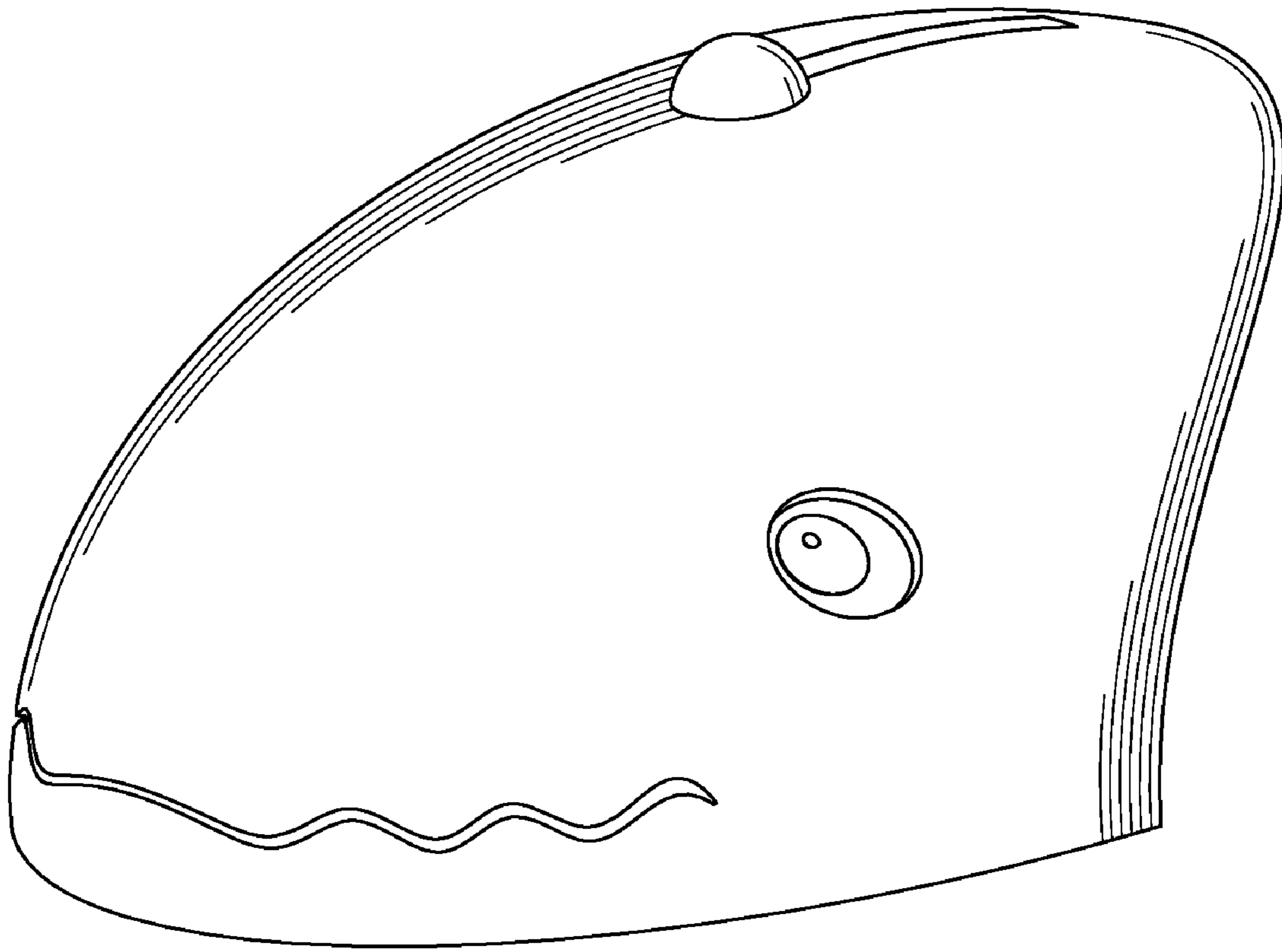


FIG. 1

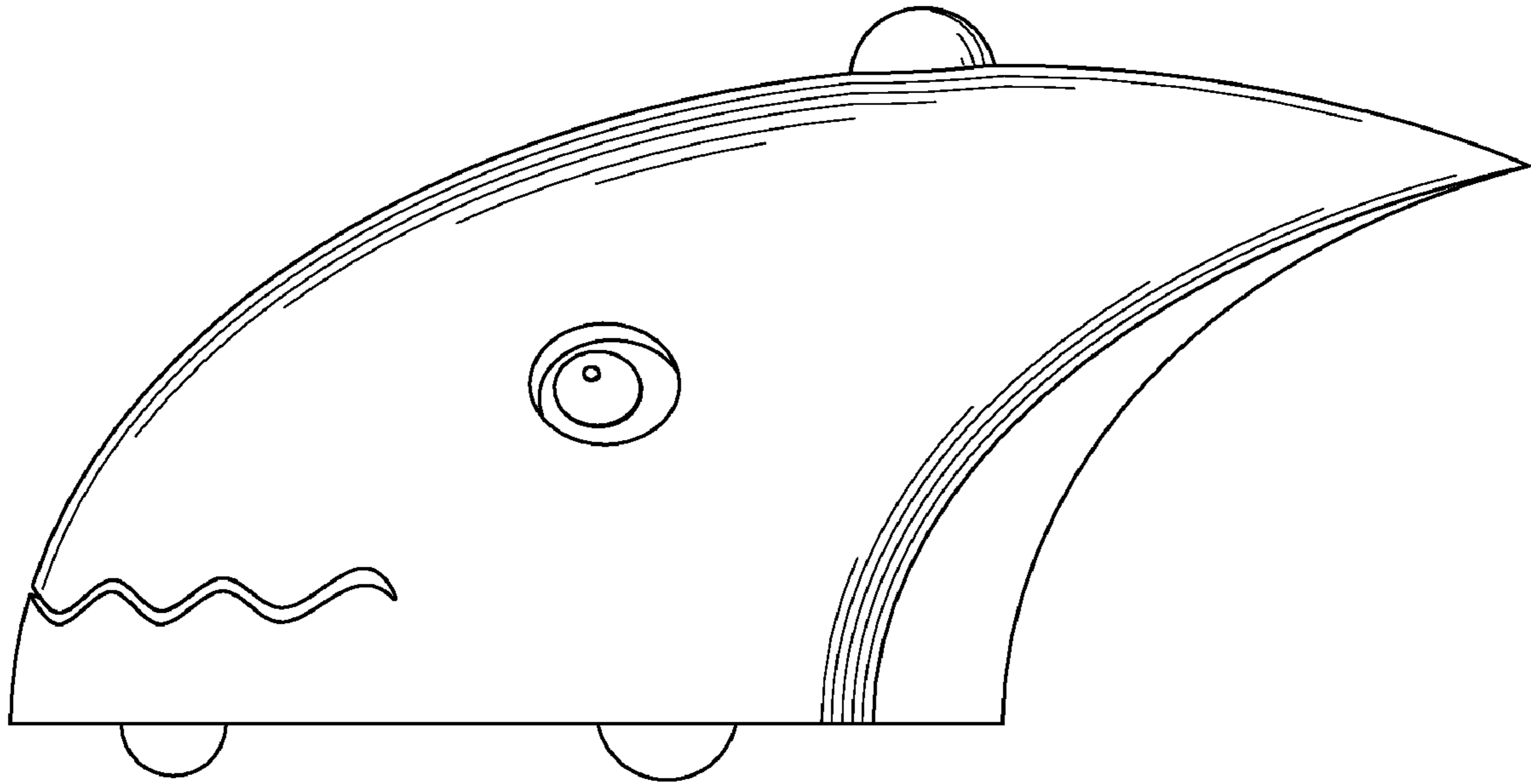


FIG. 2

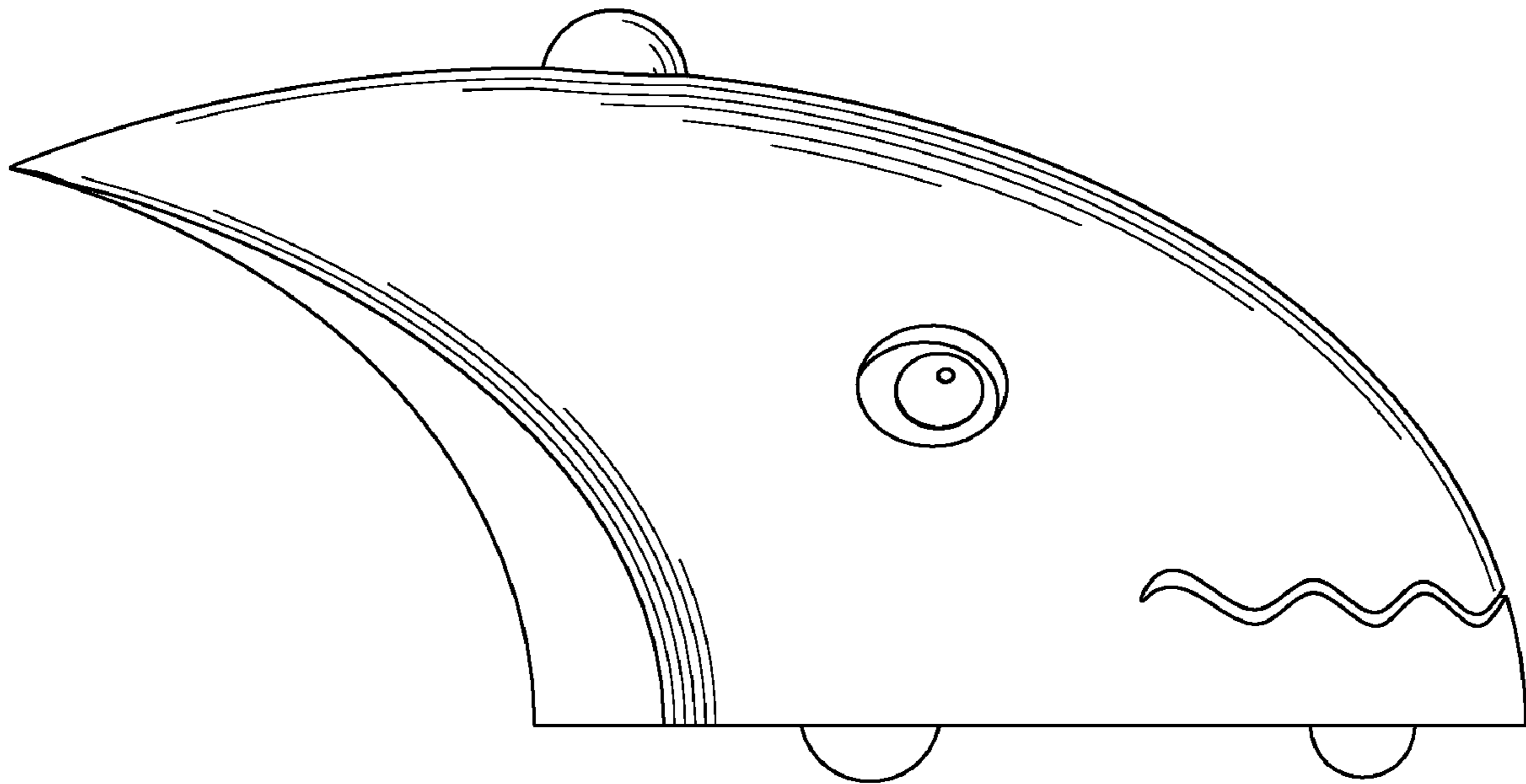


FIG. 3

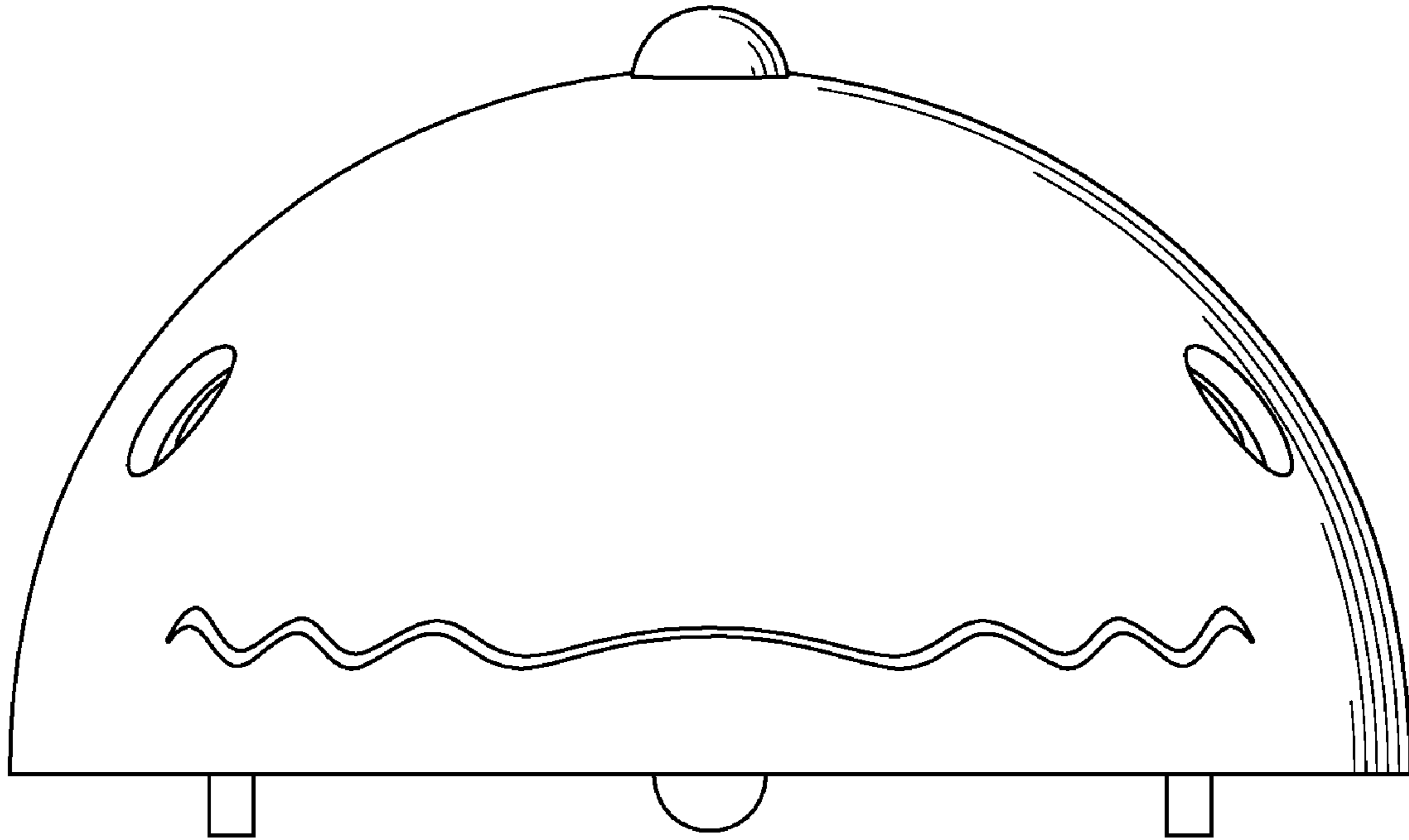


FIG. 4

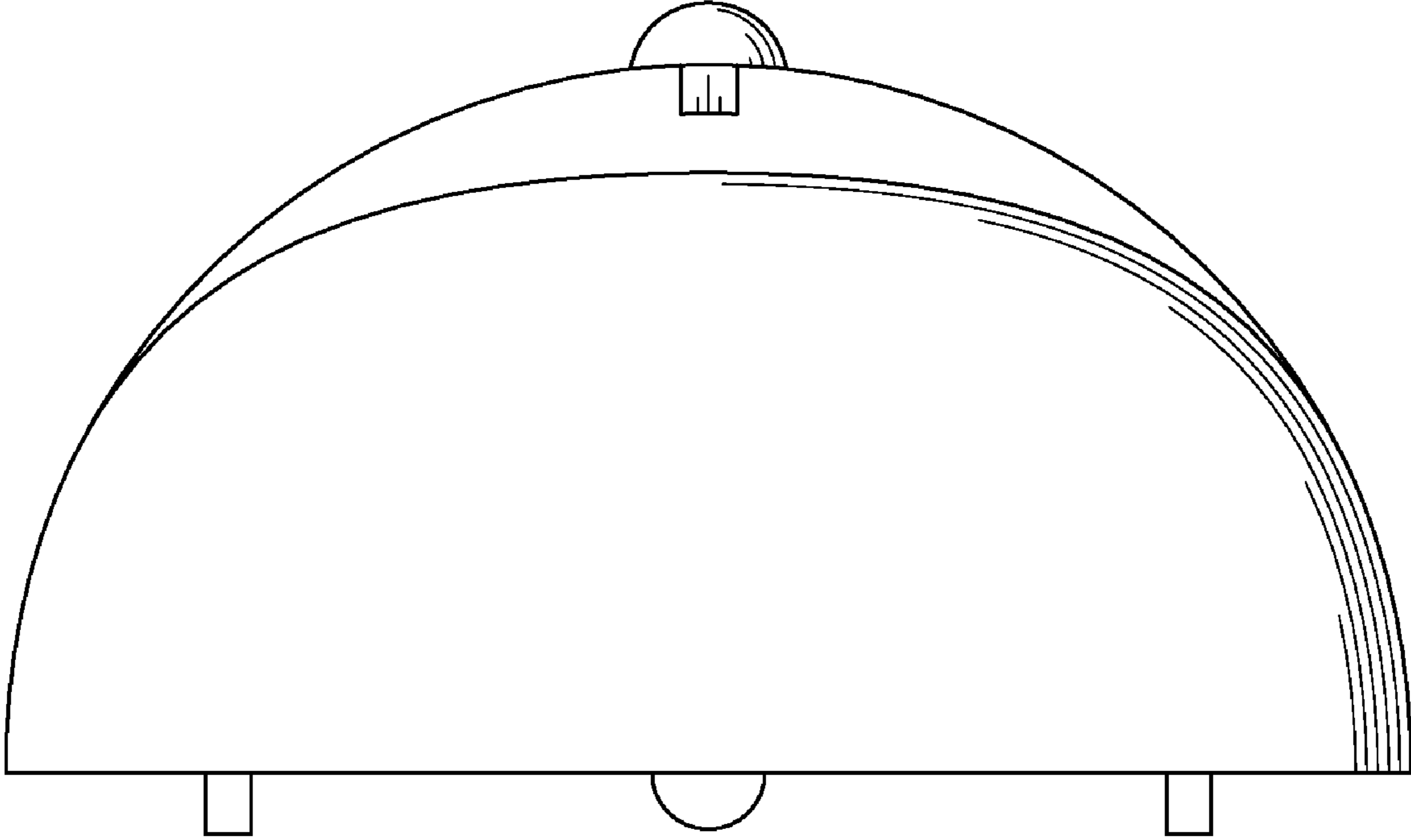


FIG. 5

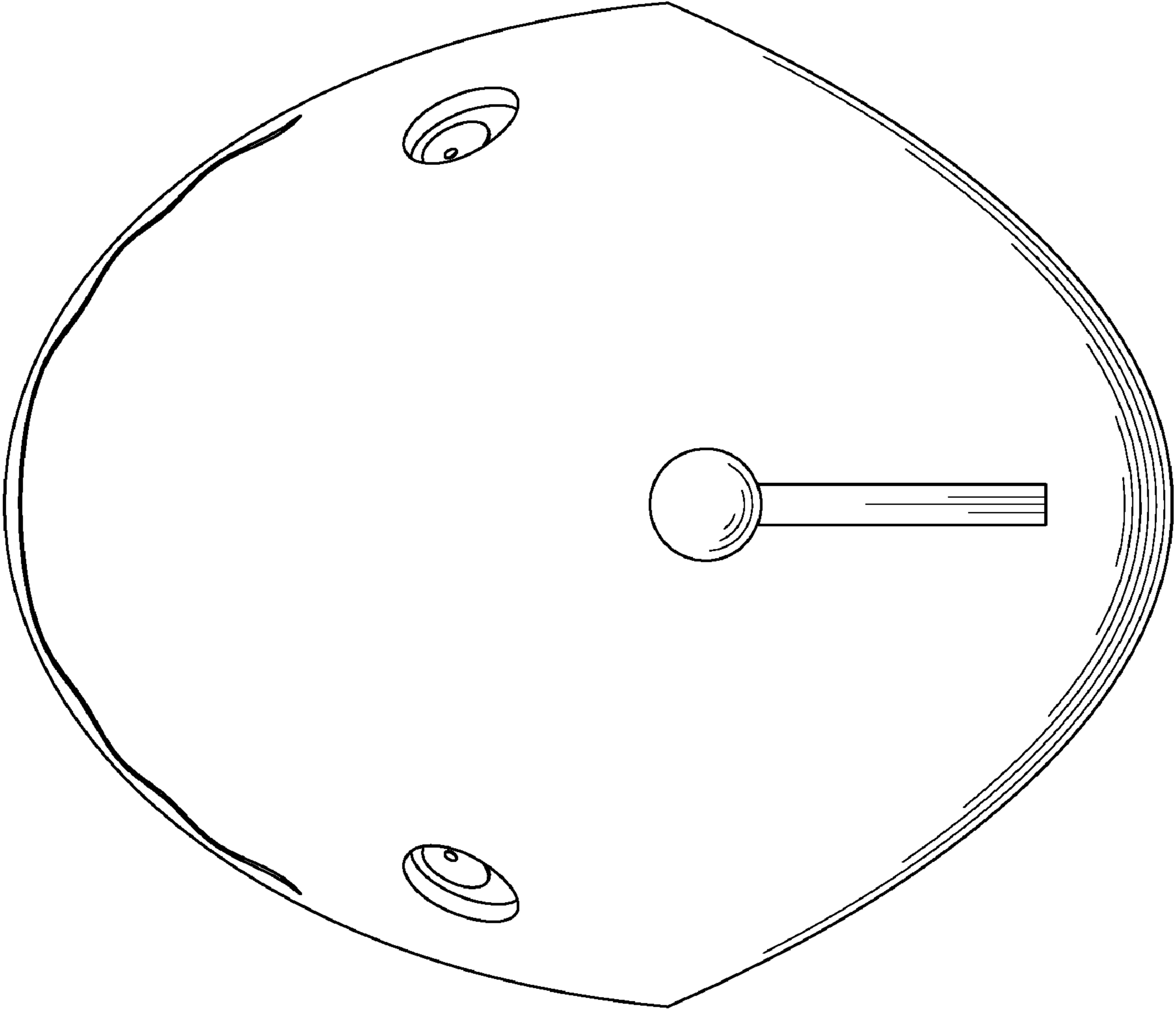


FIG. 6

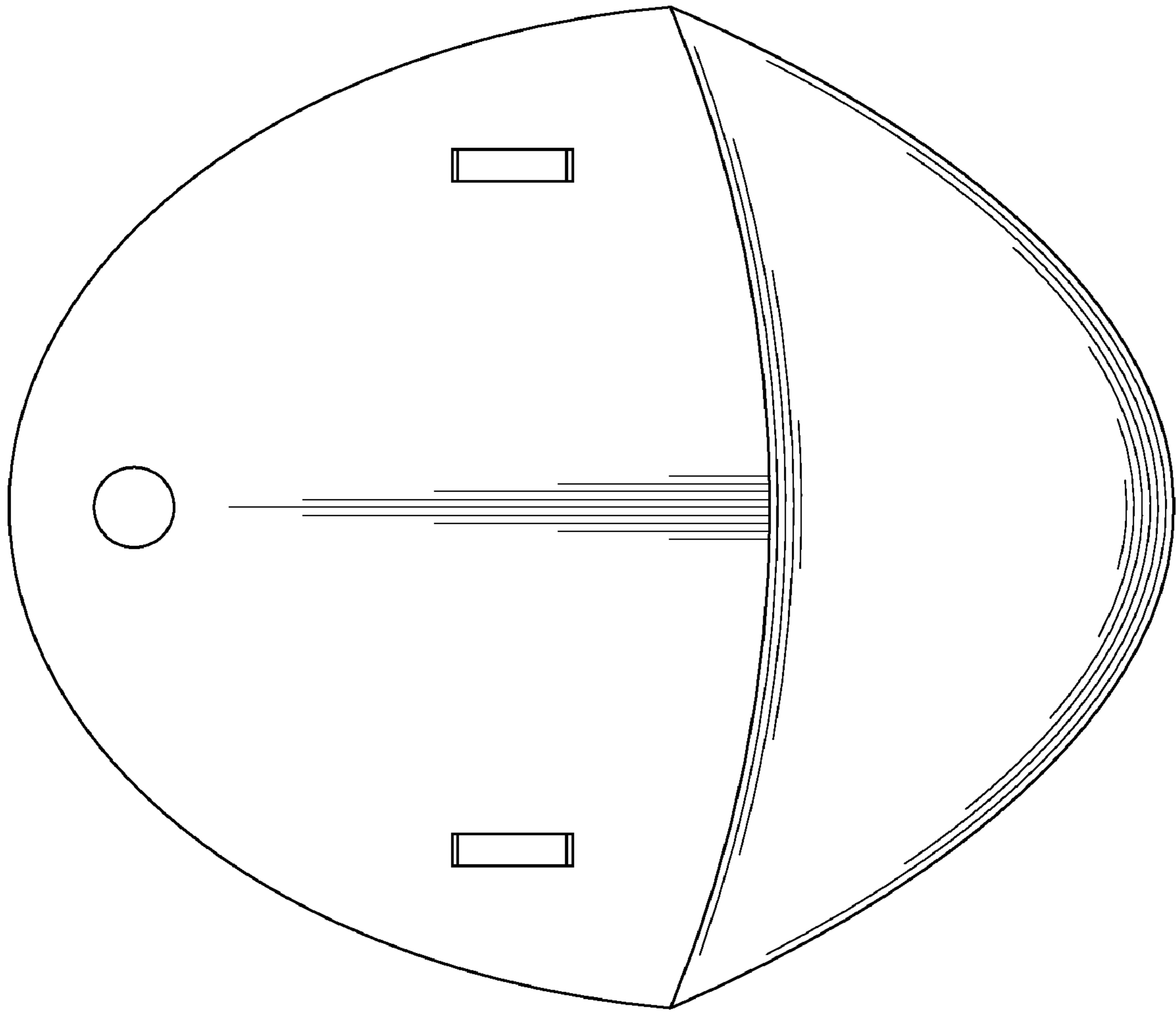


FIG. 7