

US00D608843S

(12) **United States Design Patent**
Kang et al.

(10) **Patent No.:** **US D608,843 S**
(45) **Date of Patent:** **** Jan. 26, 2010**

(54) **TOY VEHICLE CONTROLLER**
(75) Inventors: **Paulo Kang**, Burbank, CA (US); **Hector Nunez Realubit**, Woodland Hills, CA (US)

D375,326 S * 11/1996 Yokoi et al. D14/401
D403,367 S 12/1998 Lebensfeld et al.
D418,177 S 12/1999 Lebensfeld et al.
D419,826 S 2/2000 Edwards et al.
D422,996 S * 4/2000 Alviar et al. D14/401

(73) Assignee: **Mattel, Inc.**, El Segundo, CA (US)

(Continued)

(**) Term: **14 Years**

FOREIGN PATENT DOCUMENTS

(21) Appl. No.: **29/326,111**

EP 1594104 11/2005

(22) Filed: **Oct. 13, 2008**

(Continued)

Related U.S. Application Data

(63) Continuation-in-part of application No. 29/307,660, filed on May 2, 2008, which is a continuation of application No. 29/306,769, filed on Apr. 16, 2008, now abandoned.

OTHER PUBLICATIONS

Colin Williamson. "PS2 Launch: Ridge Racer V Peripherals" dated Mar. 6, 2000 <URL: [HTTPS://PS2.IGN.COM/ARTICLES/076/076167P1.HTML](https://ps2.ign.com/articles/076/076167P1.html)>, 1 page.

(51) **LOC (9) Cl.** **21-01**
(52) **U.S. Cl.** **D21/566**
(58) **Field of Classification Search** D21/324,
D21/333, 477, 566; D14/400, 401, 414,
D14/454, 217, 218, 358, 155; D13/168;
446/454-456; 463/6, 7, 37, 38, 39, 46, 47;
D8/303

(Continued)

Primary Examiner—Holly H Baynham
Assistant Examiner—Cynthia M Chin
(74) *Attorney, Agent, or Firm*—Panitch Schwarze Belisario & Nadel LLP

See application file for complete search history.

(57) **CLAIM**

The ornamental design for a toy vehicle controller, as shown.

(56) **References Cited**

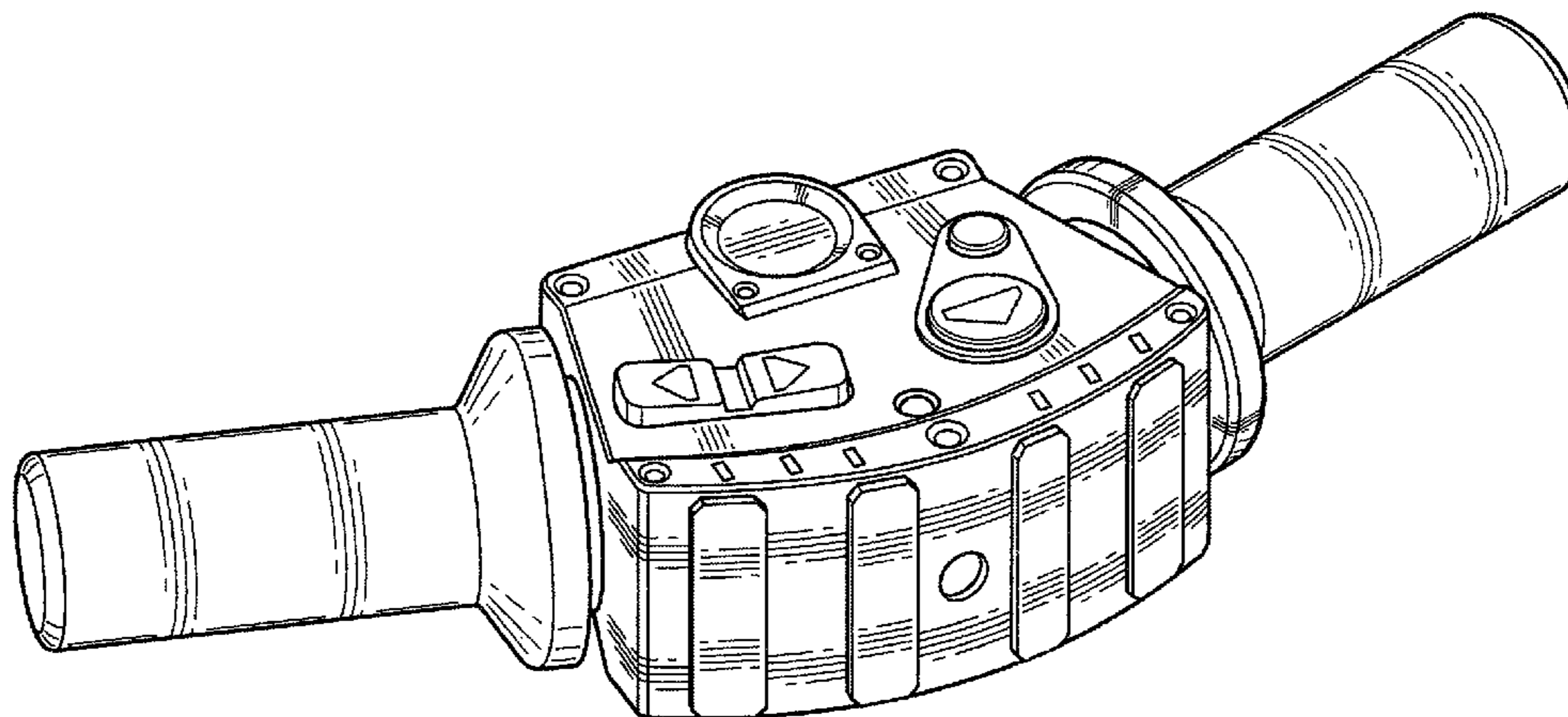
U.S. PATENT DOCUMENTS

D169,039 S 3/1953 Hoffman
D259,939 S 7/1981 Rubin
4,445,011 A 4/1984 Hansen
4,531,751 A 7/1985 Todokoro
D285,467 S 9/1986 George et al.
4,976,429 A 12/1990 Nagel
5,059,958 A 10/1991 Jacobs et al.
D322,298 S 12/1991 Sternbach
5,087,000 A 2/1992 Suto
5,125,843 A 6/1992 Holloway
D328,315 S * 7/1992 Shulman D14/414
5,127,658 A 7/1992 Openiano
5,344,354 A 9/1994 Wiley

DESCRIPTION

FIG. 1 is a perspective view of the front, top and right sides of a toy vehicle controller in accordance with our new design; FIG. 2 is a top plan view thereof; FIG. 3 is a bottom plan view thereof; FIG. 4 is a rear elevation view thereof; FIG. 5 is a front elevation view thereof; FIG. 6 is an elevational view of the right side thereof; and, FIG. 7 is an elevational view of the left side thereof.

1 Claim, 5 Drawing Sheets



US D608,843 S

Page 2

U.S. PATENT DOCUMENTS

D433,077 S * 10/2000 Yamazaki D21/477
6,251,015 B1 6/2001 Caprai
6,371,829 B1 * 4/2002 Kato et al. 446/456
D464,684 S 10/2002 Arai et al.
6,461,238 B1 10/2002 Rehkemper et al.
6,544,124 B2 4/2003 Ireland et al.
6,612,893 B2 9/2003 Rehkemper et al.
6,692,333 B2 2/2004 Kislevitz et al.
6,811,491 B1 11/2004 Levenberg et al.
D509,266 S * 9/2005 Gollither D21/566
6,966,807 B2 11/2005 Leonov et al.
D513,045 S 12/2005 Yuen
D519,118 S * 4/2006 Woodward D14/401
7,156,778 B1 1/2007 Blough
D557,752 S * 12/2007 Martino et al. D21/566
D558,766 S * 1/2008 Kutaragi et al. D14/401

D562,323 S * 2/2008 Kutaragi et al. D14/401
2004/0198522 A1 10/2004 Makuta et al.
2004/0259059 A1 12/2004 Aoki et al.
2006/0178085 A1 8/2006 Sotereanos et al.
2006/0258452 A1 11/2006 Hsu

FOREIGN PATENT DOCUMENTS

JP 2002362446 12/2002
JP 2006255400 9/2006

OTHER PUBLICATIONS

“The NeGcon: Gaming with a Twist” <URL <http://www.bytecellar.com/archives/000100.php>> total 2 pages, Dated Mar. 19, 2007.
M. Wiley. “Nintendo WaveBird Review” dated Jun. 11, 2002 <URL: <http://cube.ign.com/articles/059/059188p1.html>> 1 page.

* cited by examiner

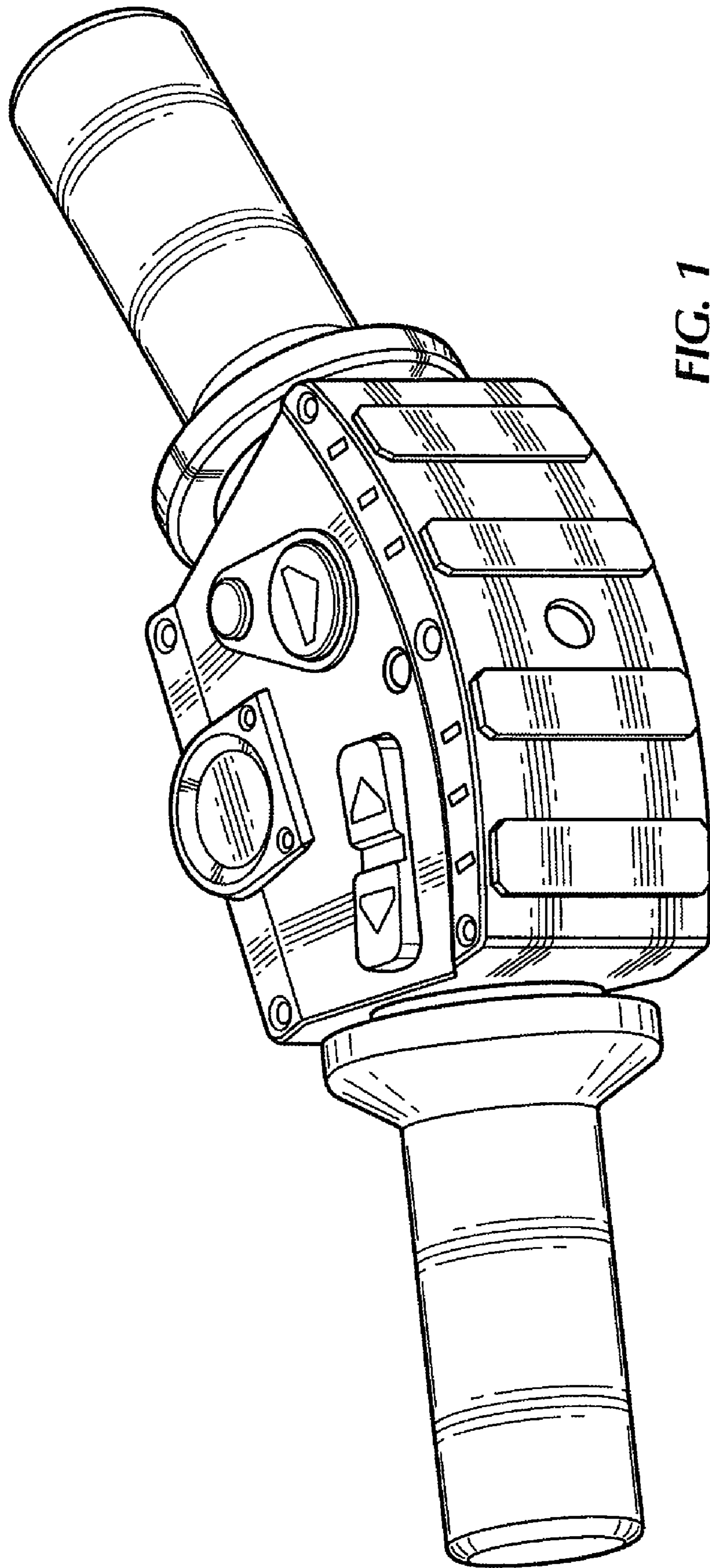


FIG. 1

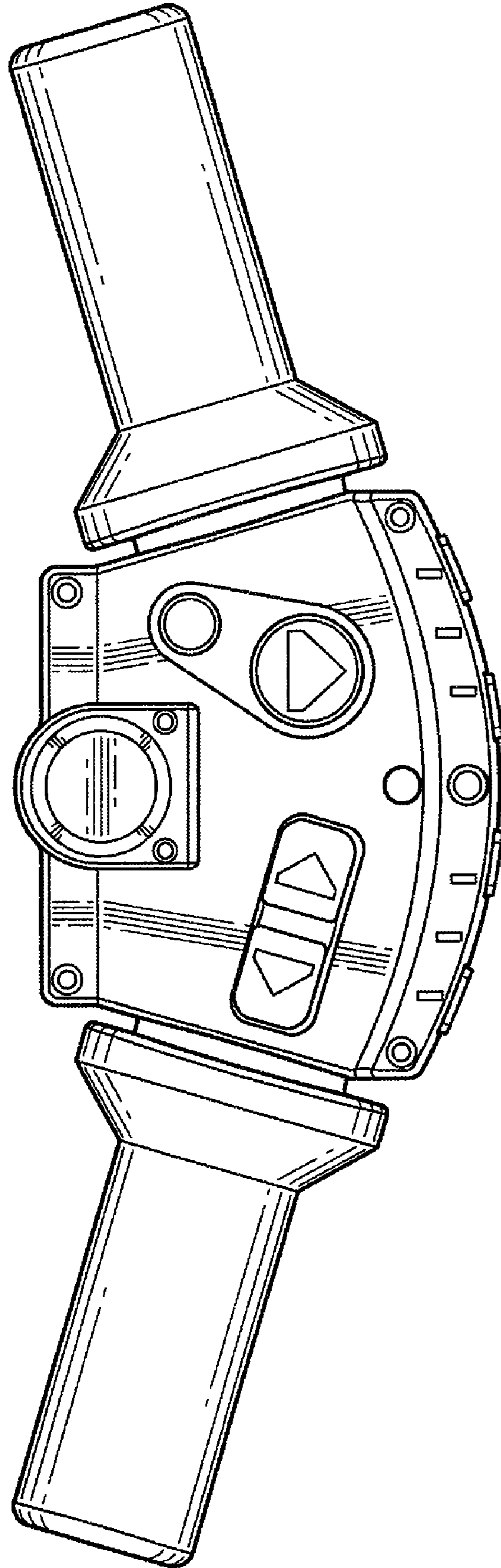


FIG. 2

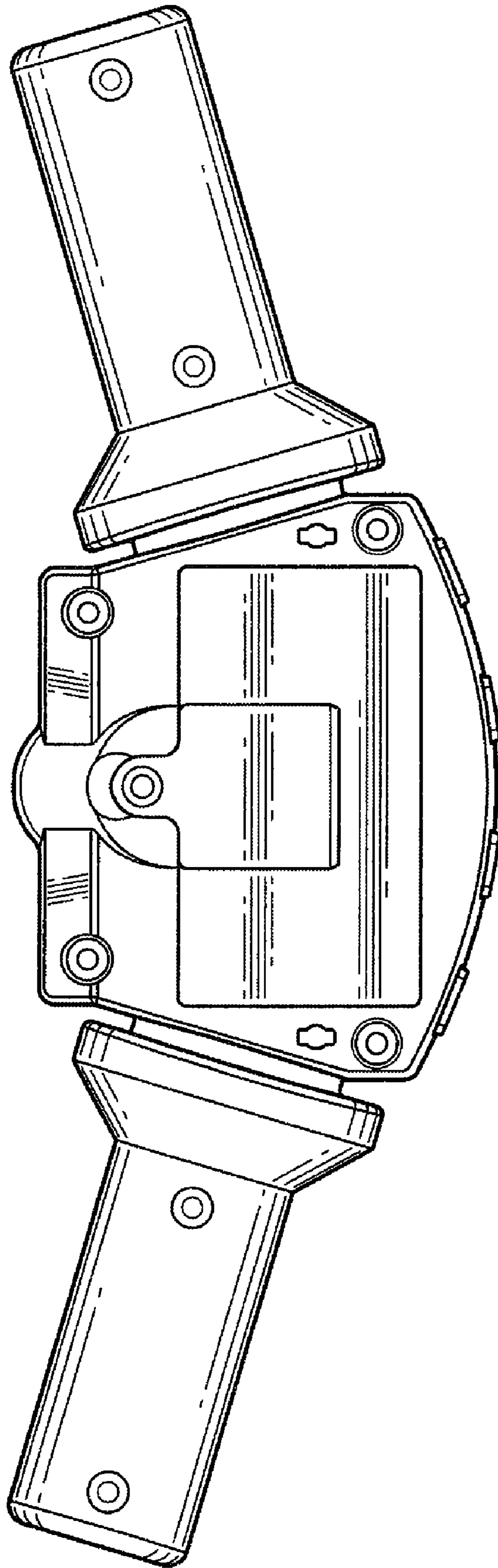


FIG. 3

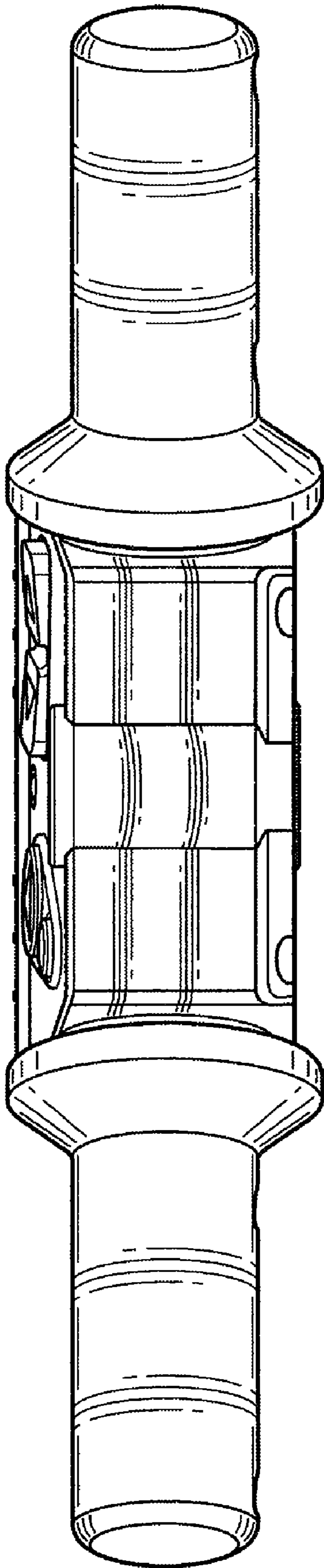


FIG. 4

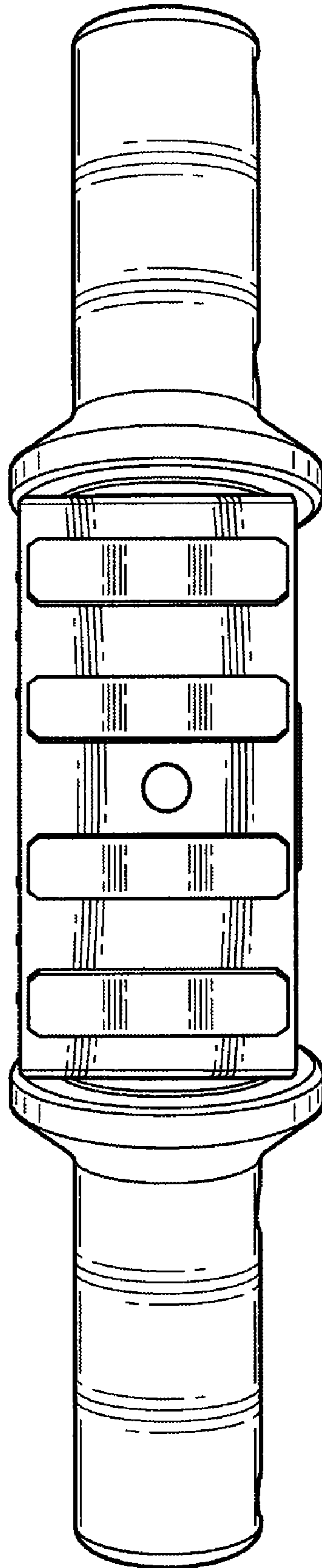


FIG. 5

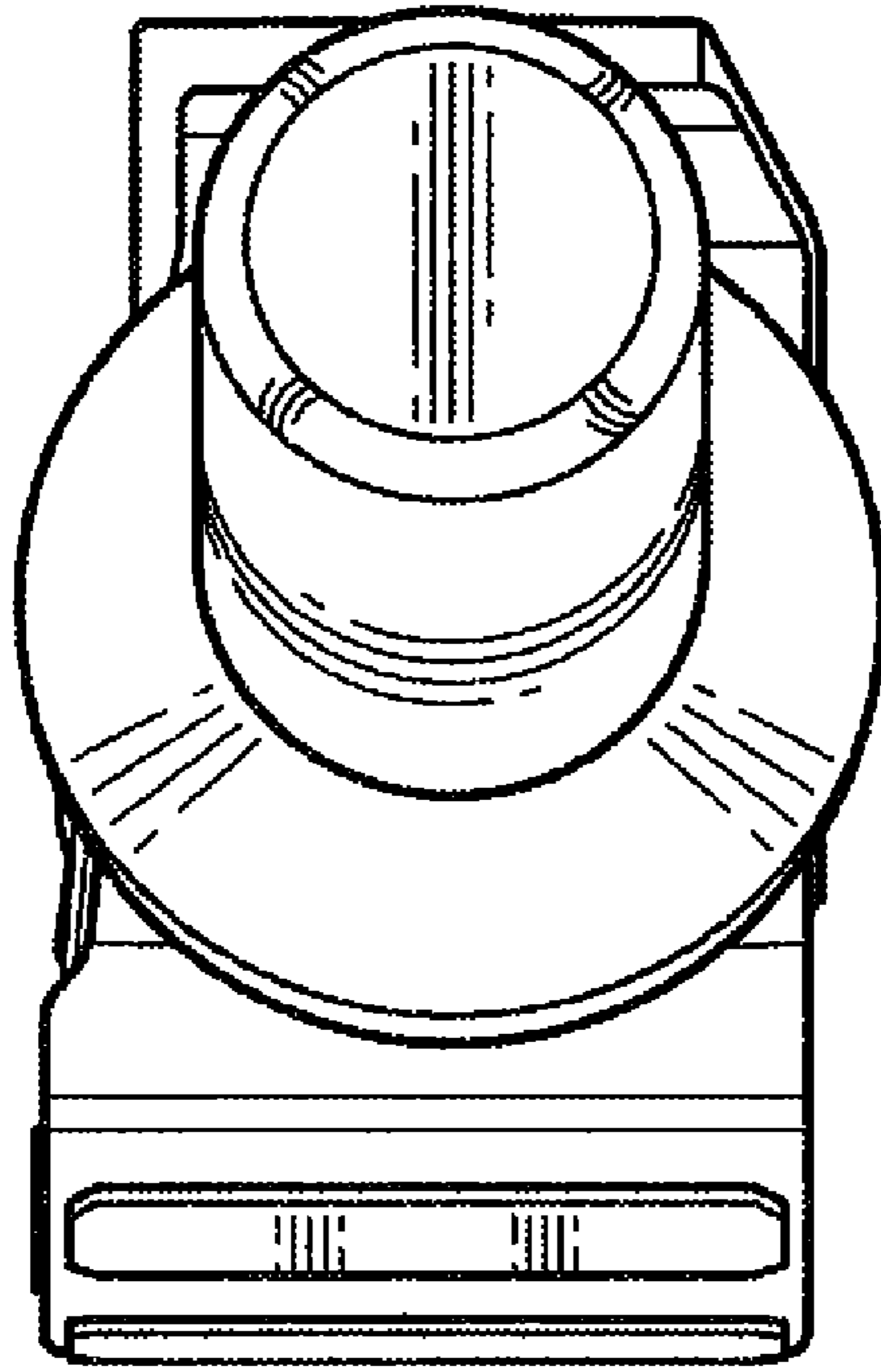


FIG. 7

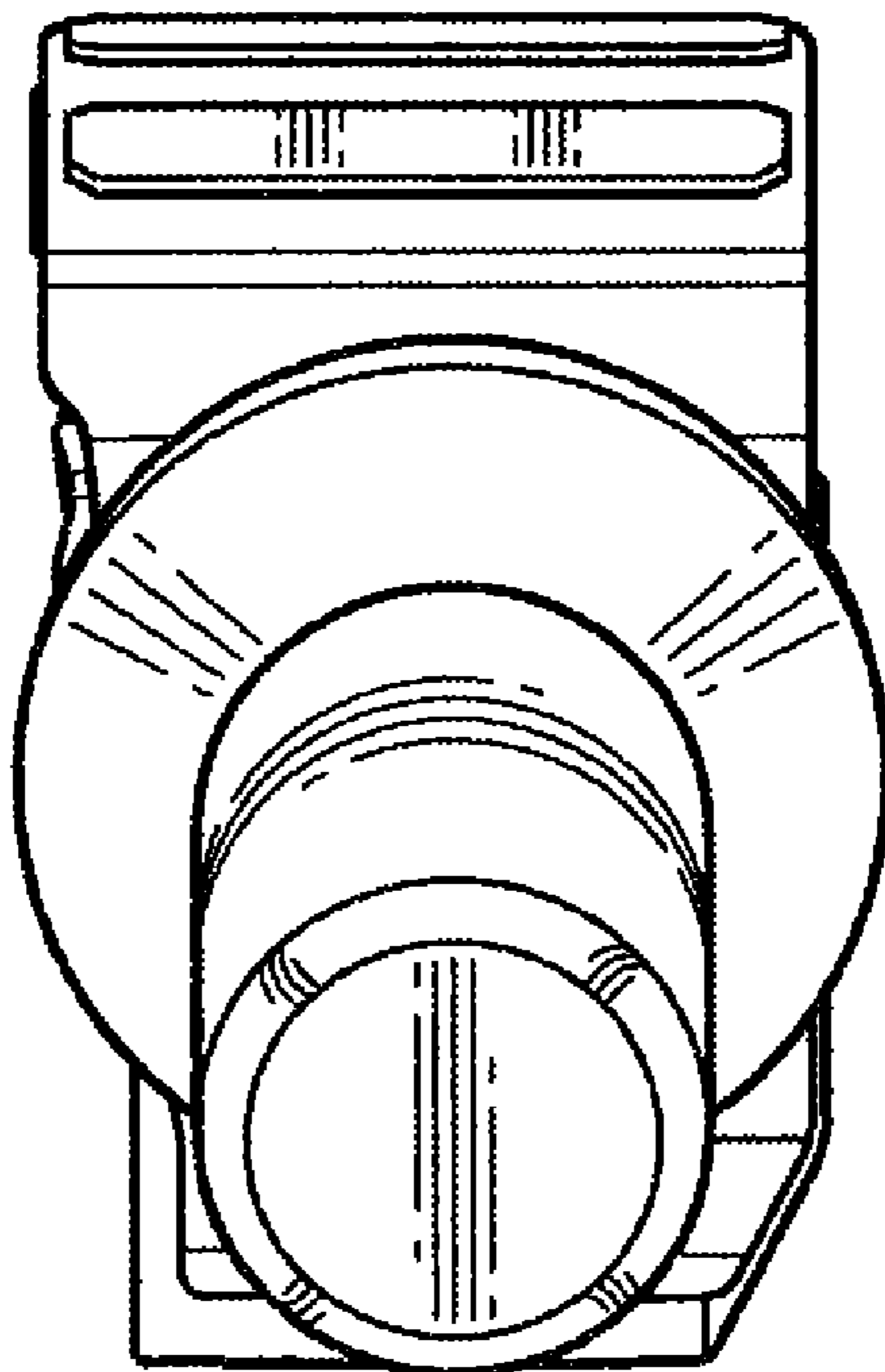


FIG. 6