



US00D608842S

(12) **United States Design Patent**
Nishimoto

(10) **Patent No.:** **US D608,842 S**
(45) **Date of Patent:** **** *Jan. 26, 2010**

(54) **TOY TOP**

2006/0258259 A1* 11/2006 Lin 446/256

(75) Inventor: **Hisao Nishimoto**, Tokyo (JP)

(73) Assignee: **Tomy Company, Ltd.**, Tokyo (JP)

(**) Term: **14 Years**

(21) Appl. No.: **29/309,762**

(22) Filed: **Oct. 6, 2008**

(30) **Foreign Application Priority Data**

Apr. 8, 2008 (JP) 2008-8989

(51) **LOC (9) Cl.** **21-01**

(52) **U.S. Cl.** **D21/460**

(58) **Field of Classification Search** D21/385,
D21/386, 390, 398, 404, 436-438, 441-444,
D21/451, 453, 455, 458, 460-464, 563, 578,
D21/585, 592; 446/34, 36-48, 217, 218,
446/236-266, 330, 352, 358, 359, 366, 368,
446/429, 430

See application file for complete search history.

(56) **References Cited**

U.S. PATENT DOCUMENTS

461,948 A * 10/1891 Wilson 446/250
D155,015 S * 8/1949 Krapp D21/460
2,789,392 A * 4/1957 Palmieri 446/261
3,220,142 A 11/1965 Butterfiled
4,157,632 A 6/1979 Everett
D262,610 S * 1/1982 Westlake et al. D10/111
D353,632 S * 12/1994 Nonaka et al. D21/460
D356,347 S * 3/1995 Nonaka et al. D21/460
5,518,437 A * 5/1996 Nonaka et al. 446/259
6,604,979 B1 * 8/2003 Liu 446/256
6,626,729 B2 * 9/2003 Osawa 446/250
6,739,939 B2 * 5/2004 Matsukawa 446/256
6,746,300 B1 * 6/2004 Matsukawa 446/256
6,905,389 B2 * 6/2005 Matsukawa 446/256
7,063,589 B2 6/2006 Matsukawa et al.
7,427,225 B2 9/2008 Matsukawa et al.
D584,366 S 1/2009 Bowen et al.

FOREIGN PATENT DOCUMENTS

CN 2925561 Y * 7/2007
CN 200977395 Y * 11/2007
CN 200977396 Y * 11/2007
CN 200977397 Y * 11/2007
CN 200977398 Y * 11/2007
CN 200984446 Y * 12/2007
JP 2003320174 A * 11/2003

(Continued)

OTHER PUBLICATIONS

U.S. Copyright Registration No. VA1-151-590 dated Nov. 15, 2002.

(Continued)

Primary Examiner—Catherine Tuttle

(74) *Attorney, Agent, or Firm*—Staas & Halsey LLP

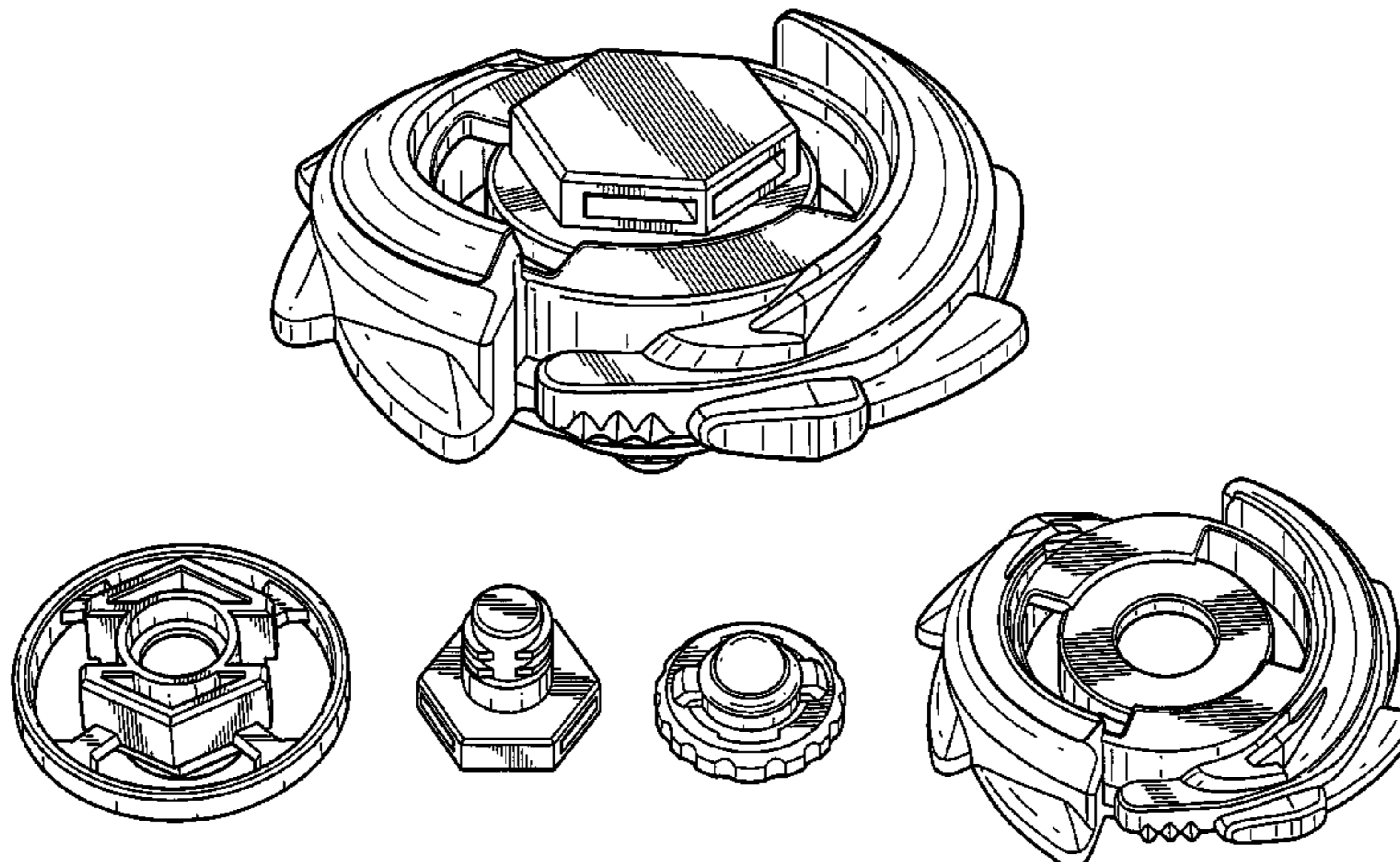
(57) **CLAIM**

The ornamental design for a toy top, as shown and described.

DESCRIPTION

FIG. 1 is a side view of the toy top showing my design;
FIG. 2 is side view rotated 90° from FIG. 1;
FIG. 3 is a top view thereof;
FIG. 4 is a bottom view thereof;
FIG. 5 is a perspective view thereof; and,
FIG. 6 is a perspective view showing the design with its
components in a separated state.

1 Claim, 4 Drawing Sheets



FOREIGN PATENT DOCUMENTS

JP 2005328976 A * 12/2005

OTHER PUBLICATIONS

U.S. Copyright Registration No. VA1-151-591 dated Nov. 15, 2002.
U.S. Copyright Registration No. VA1-151-593 dated Nov. 15, 2002.
U.S. Copyright Registration No. VA1-172-925 dated Oct. 22, 2002.
U.S. Copyright Registration No. VA1-172-926 dated Oct. 22, 2002.
U.S. Copyright Registration No. VA1-172-927 dated Oct. 22, 2002.
U.S. Copyright Registration No. VA1-172-931 dated Oct. 22, 2002.
U.S. Copyright Registration No. VA1-172-935 dated Oct. 22, 2002.
Specimen filed in U.S. Trademark Registration No. 2,709,995 on Nov. 12, 2002.
Apr. 7, 2009 Notice of Allowance in co-pending U.S. Des. Appl. No. 29/309,764.
Apr. 15, 2009 Office Action in co-pending U.S. Des. Appl. No. 29/309,766.
Apr. 2, 2009 Office Action in co-pending U.S. Des. Appl. No. 29/309,758.
Apr. 16, 2009 Office Action in co-pending U.S. Des. Appl. No. 29/309,768.
Apr. 15, 2009 Office Action in co-pending U.S. Des. Appl. No. 29/309,759.
Apr. 7, 2009 Office Action in co-pending U.S. Des. Appl. No. 29/309,761.
U.S. Appl. No. 29/309,764, Filing date Oct. 6, 2008, Nishimoto, TOMY Company, Ltd.

U.S. Appl. No. 29/309,766, Filing Date Oct. 6, 2008, Nishimoto, TOMY Company, Ltd.
U.S. Appl. No. 29/309,758, Filing Date Oct. 6, 2008, Nishimoto, TOMY Company, Ltd.
U.S. Appl. No. 29/309,768, Filing Date Oct. 6, 2008, Nishimoto, TOMY Company, Ltd.
U.S. Appl. No. 29/309,759, Filing Date Oct. 6, 2008, Ujita, TOMY Company, Ltd.
U.S. Appl. No. 29/309,761, Filing Date Oct. 6, 2008, Nishimoto, TOMY Company, Ltd.
U.S. Appl. No. 29/311,777, Filing Date Jun. 17, 2009, Ujita, TOMY Company, Ltd.
U.S. Appl. No. 29/311,776, Filing Date Jun. 17, 2009, Ujita, TOMY Company, Ltd.
U.S. Appl. No. 29/311,775, Filing Date Jun. 17, 2009, Ujita, TOMY Company, Ltd.
Notice of Allowance mailed Sep. 3, 2009 in co-pending U.S. Des. Appl. No. 29/309,764.
Communication mailed Oct. 19, 2009 in co-pending U.S. Des. Appl. No. 29/309,764.
Office Action mailed Nov. 27, 2009 in co-pending U.S. Des. Appl. No. 29/311,775.
Office Action mailed Nov. 27, 2009 in co-pending U.S. Des. Appl. No. 29/311,821.
Notice of Allowance mailed Nov. 30, 2009 in co-pending U.S. Des. Appl. No. 29/309,766.
Notice of Allowance mailed Nov. 30, 2009 in co-pending U.S. Des. Appl. No. 29/309,758.
* cited by examiner

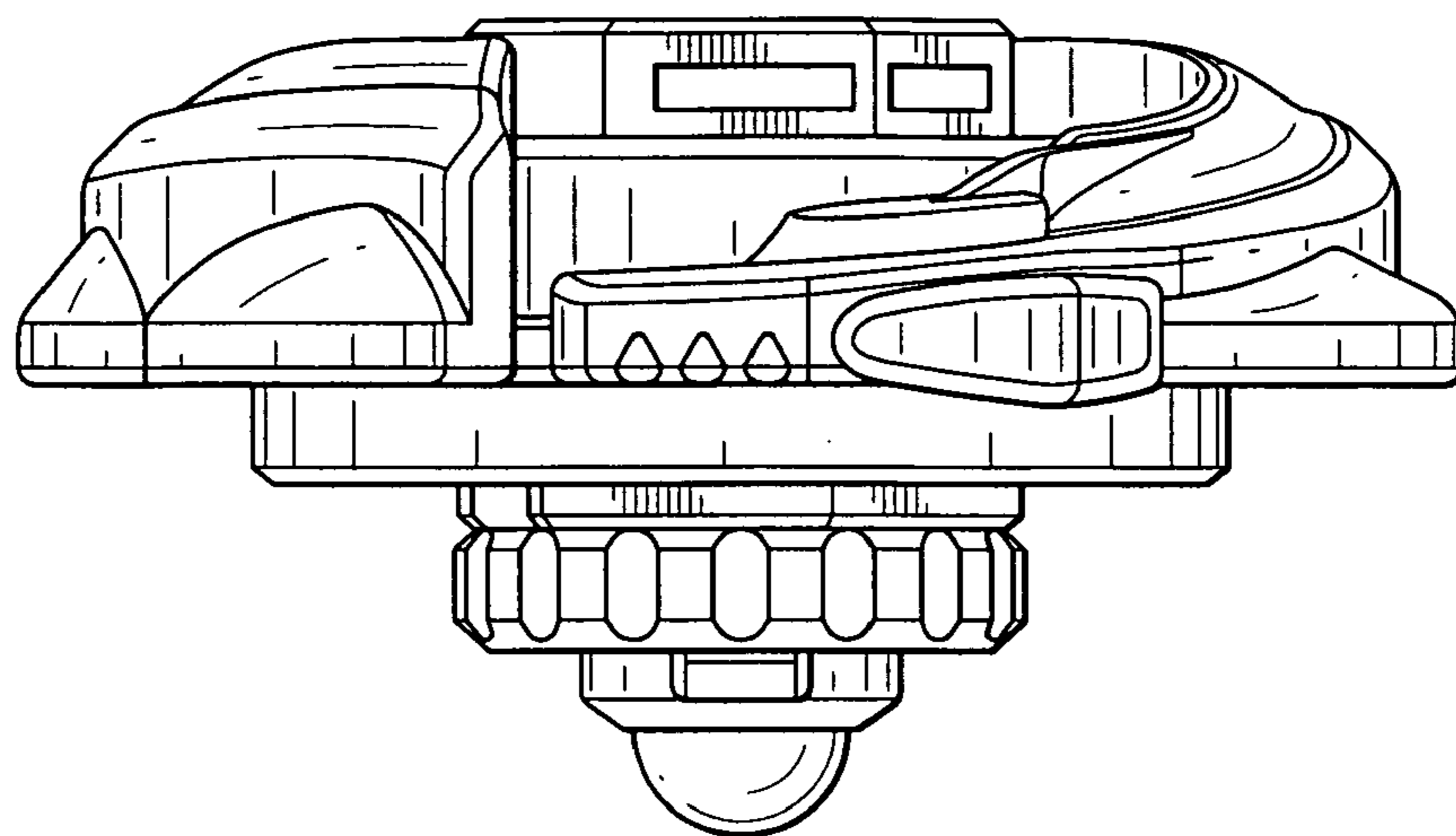


FIG. 1

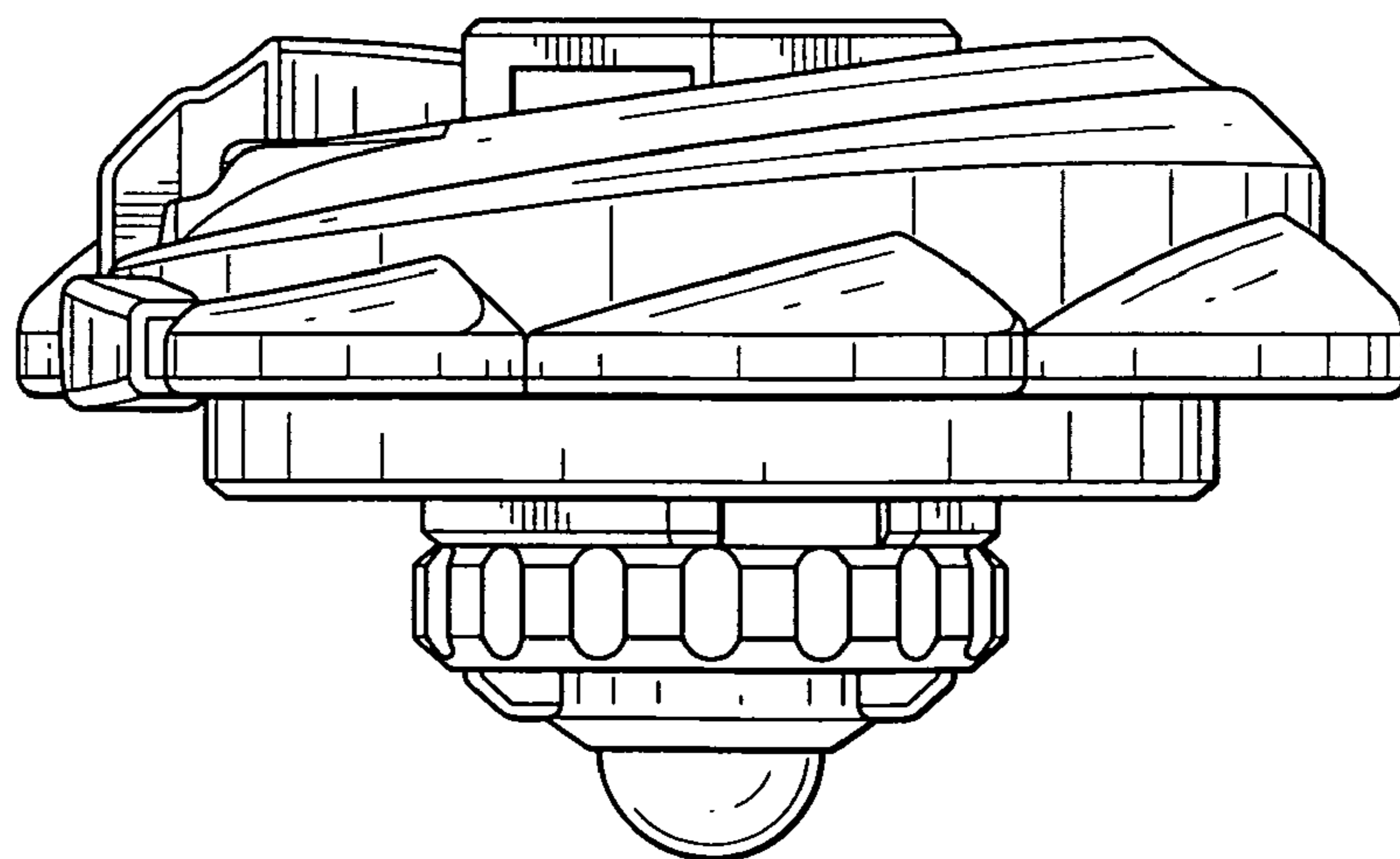


FIG. 2

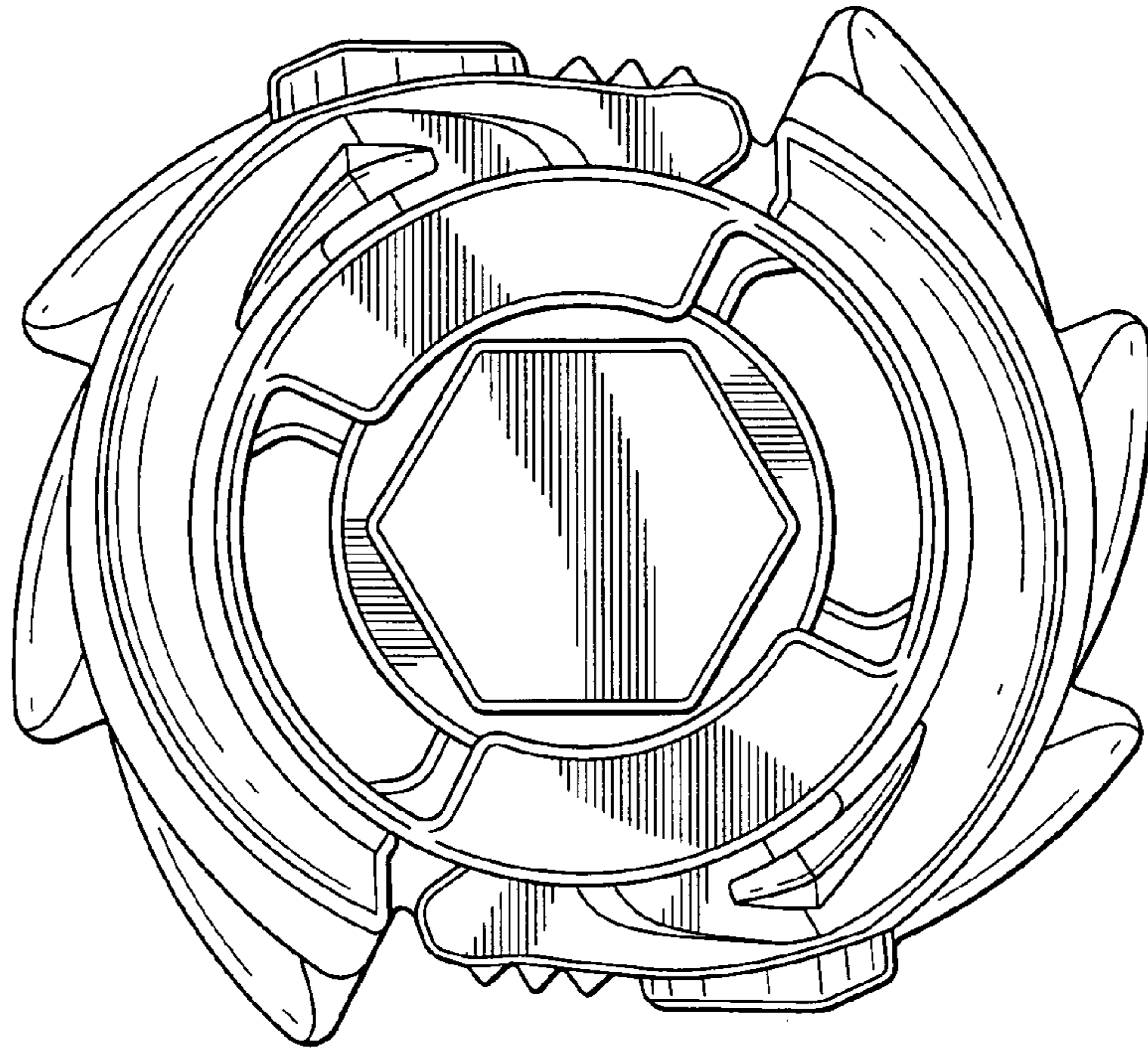


FIG. 3

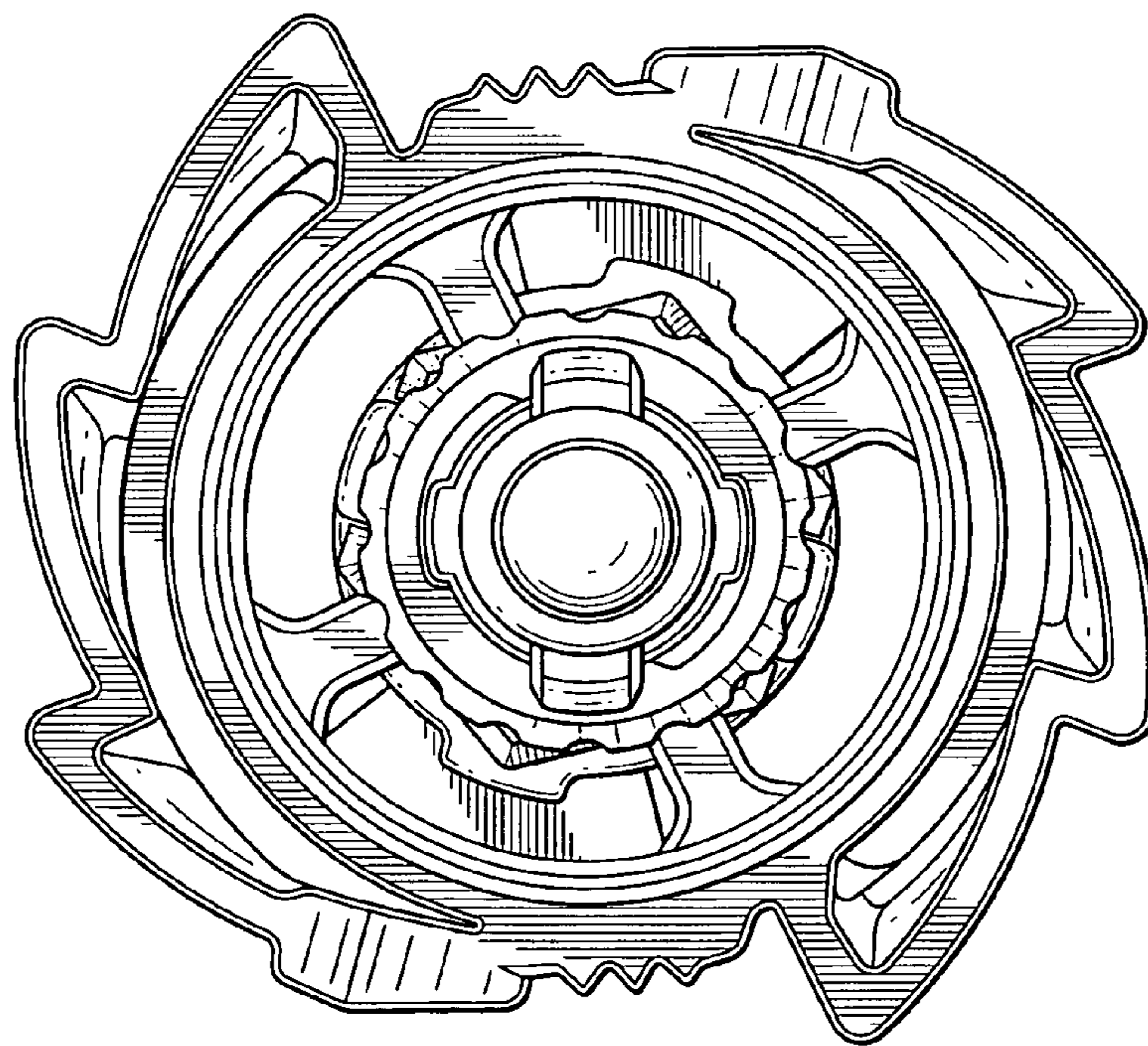


FIG. 4

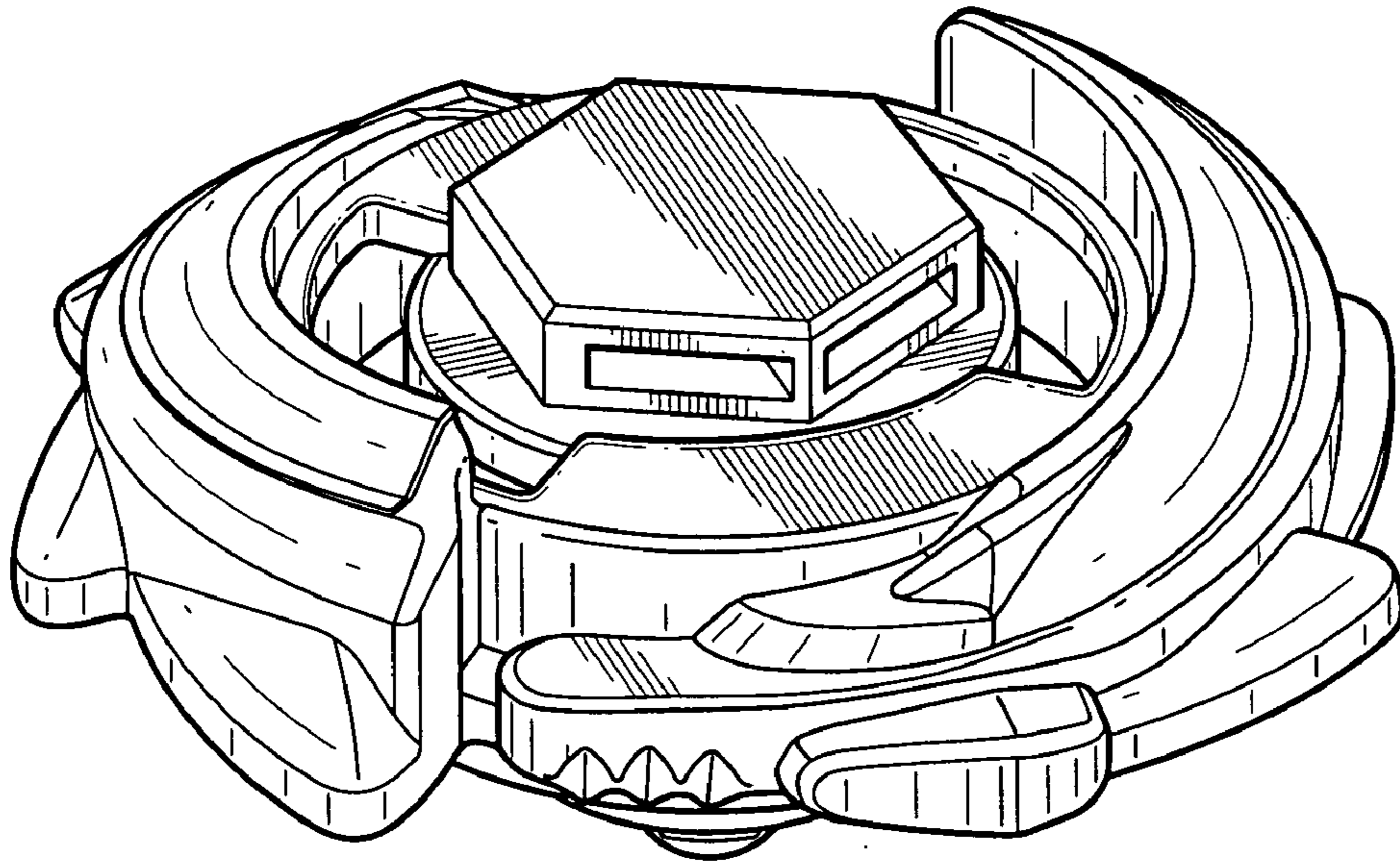


FIG. 5

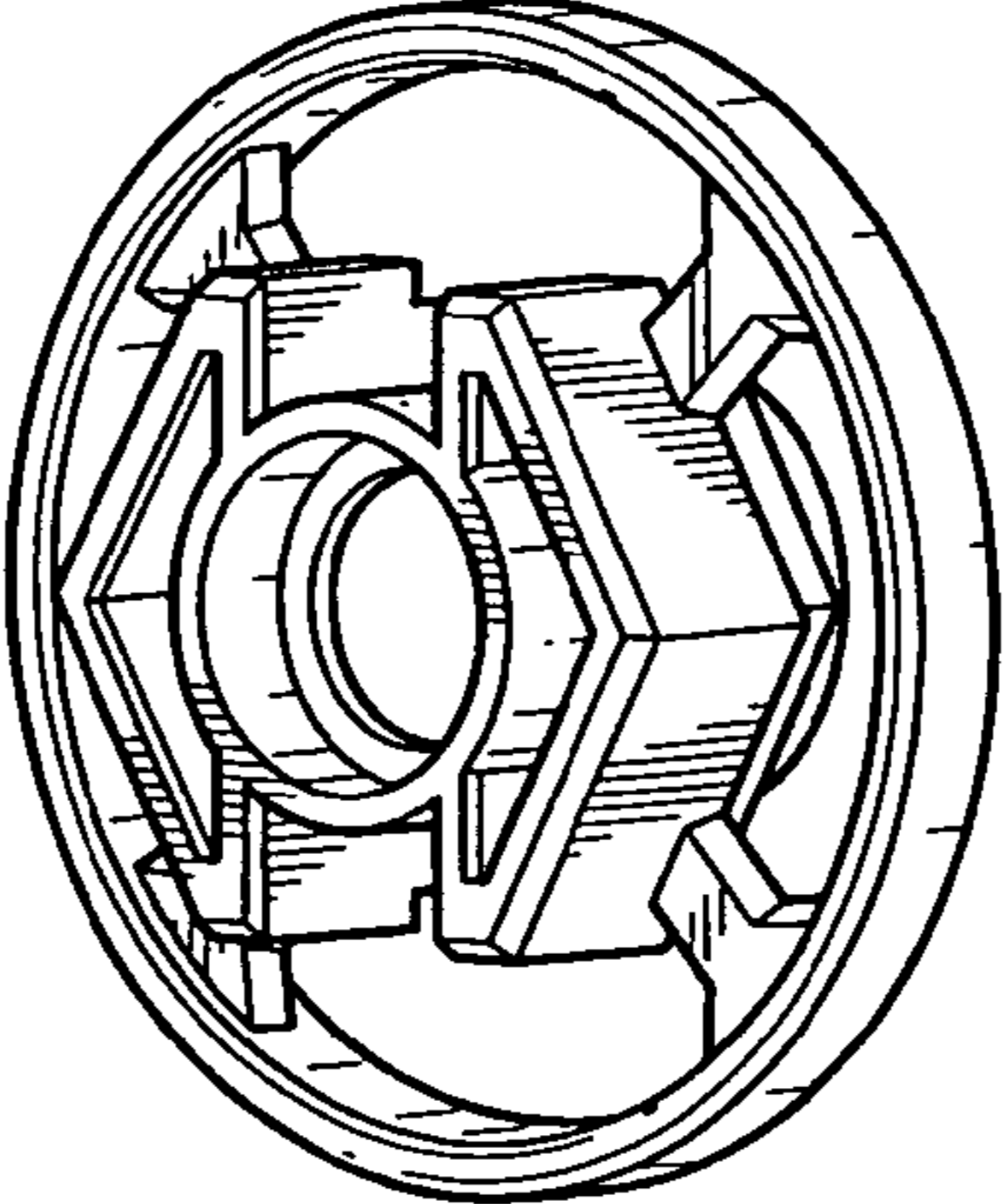
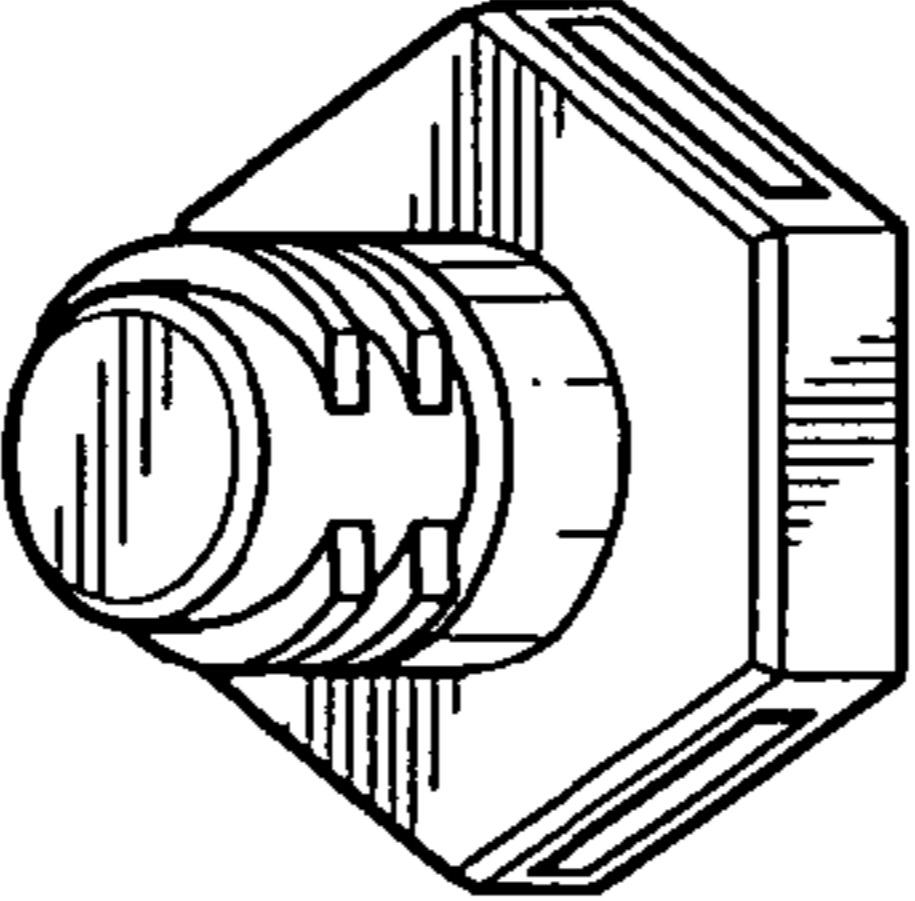
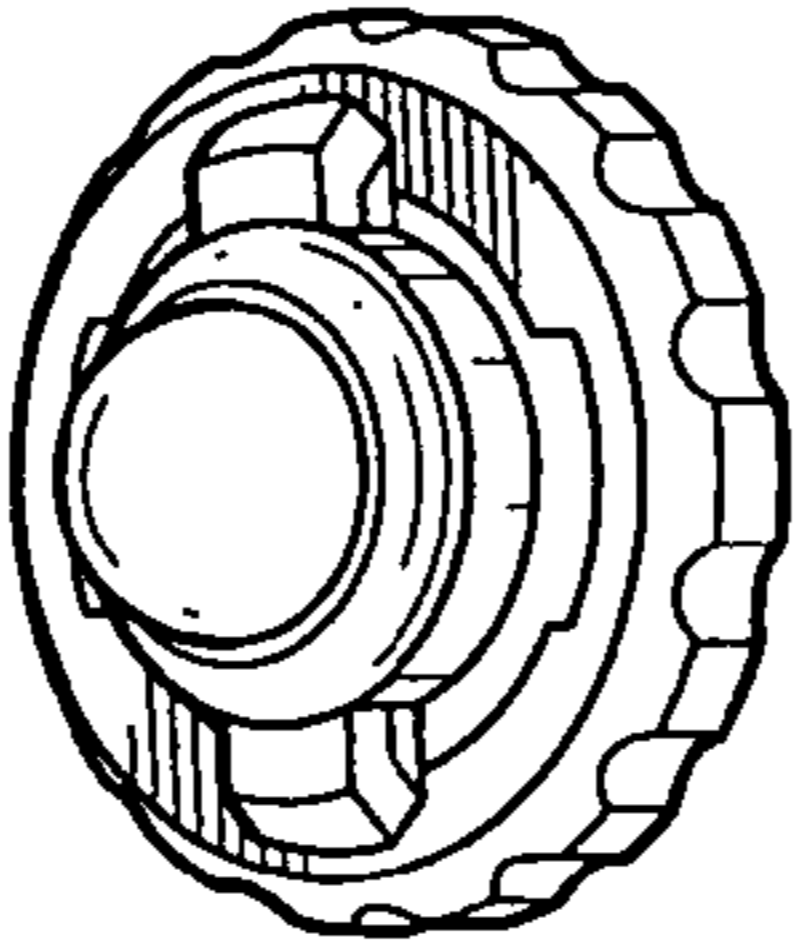
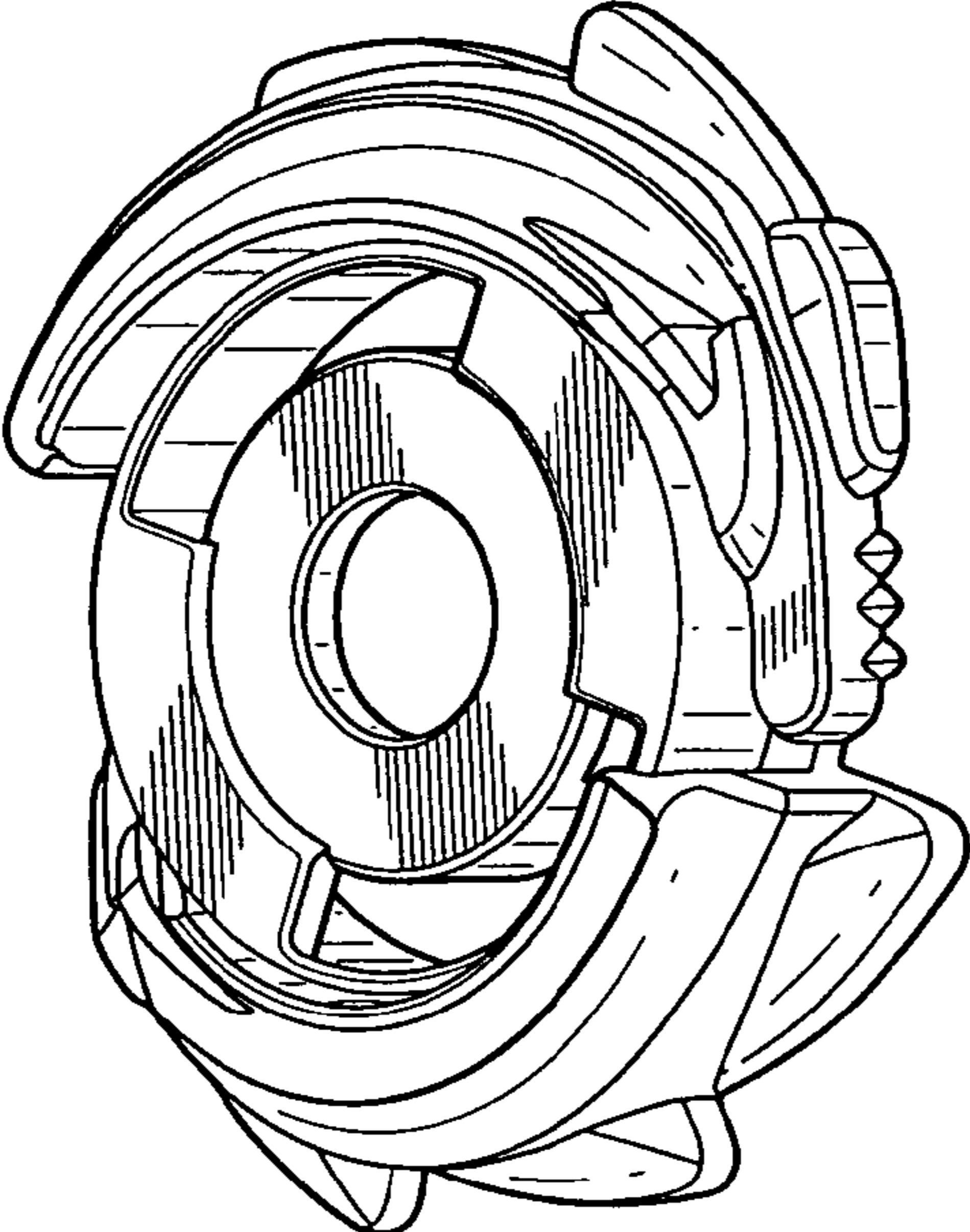


FIG. 6