



US00D608837S

(12) **United States Design Patent**
Trinh et al.

(10) **Patent No.:** **US D608,837 S**

(45) **Date of Patent:** **** Jan. 26, 2010**

(54) **DISPLAY APPARATUS**

(75) Inventors: **Nick Quang Trinh**, Minneapolis, MN (US); **Jeffrey P. Pirro**, Marcellus, NY (US); **Matthew W. Farrell**, Syracuse, NY (US)

(73) Assignee: **Target Brands, Inc.**, Minneapolis, MN (US)

(**) Term: **14 Years**

(21) Appl. No.: **29/344,009**

(22) Filed: **Sep. 22, 2009**

(51) **LOC (9) Cl.** **20-03**

(52) **U.S. Cl.** **D20/43**

(58) **Field of Classification Search** D6/509,
D6/512, 396, 402, 449, 470-471, 475, 553,
D6/567, 573-574; D20/10, 19, 43; 211/13.1,
211/85.26; 40/124.02, 427, 441, 541
See application file for complete search history.

(56) **References Cited**

U.S. PATENT DOCUMENTS

D153,784 S *	5/1949	Gettelman	D20/10
D154,299 S *	6/1949	Morgan	D20/10
D273,204 S *	3/1984	Baker	D20/44
D308,399 S *	6/1990	Mori	D20/10
D312,842 S *	12/1990	Younger et al.	D20/42
4,982,852 A	1/1991	Johansen		
D314,983 S *	2/1991	Cangianni et al.	D20/10
D326,282 S *	5/1992	Spoljaric	D20/10
D331,981 S *	12/1992	Fischel et al.	D26/31
D337,837 S *	7/1993	DeLosa et al.	D26/31
D343,865 S *	2/1994	Pohl	D19/78
D349,003 S	7/1994	Horton et al.		
5,442,873 A	8/1995	Vogler		
D375,978 S *	11/1996	Fitzgerald	D20/10
6,467,856 B1	10/2002	Chang et al.		

6,603,550 B1	8/2003	Flynn et al.		
D496,068 S *	9/2004	Mandel	D19/36
6,955,268 B2	10/2005	Waldron		
D534,214 S *	12/2006	Marcy et al.	D19/52
D562,044 S *	2/2008	Brown et al.	D6/553
D576,426 S	9/2008	Yuen-Schat et al.		
D597,606 S	8/2009	Chin et al.		
D597,742 S *	8/2009	Skinner	D6/300
2003/0037473 A1 *	2/2003	Pifer	40/700

* cited by examiner

Primary Examiner—Elizabeth A Albert

Assistant Examiner—Kelley A Donnelly

(74) *Attorney, Agent, or Firm*—Fish & Richardson P.C.

(57) **CLAIM**

The ornamental design for a display apparatus, substantially as shown and described.

DESCRIPTION

FIG. 1 is a perspective view of a display apparatus.

FIG. 2 is a front elevation view of the display apparatus of FIG. 1.

FIG. 3 is a rear elevation view of the display apparatus of FIG. 1.

FIG. 4 is a right elevation view of the display apparatus of FIG. 1.

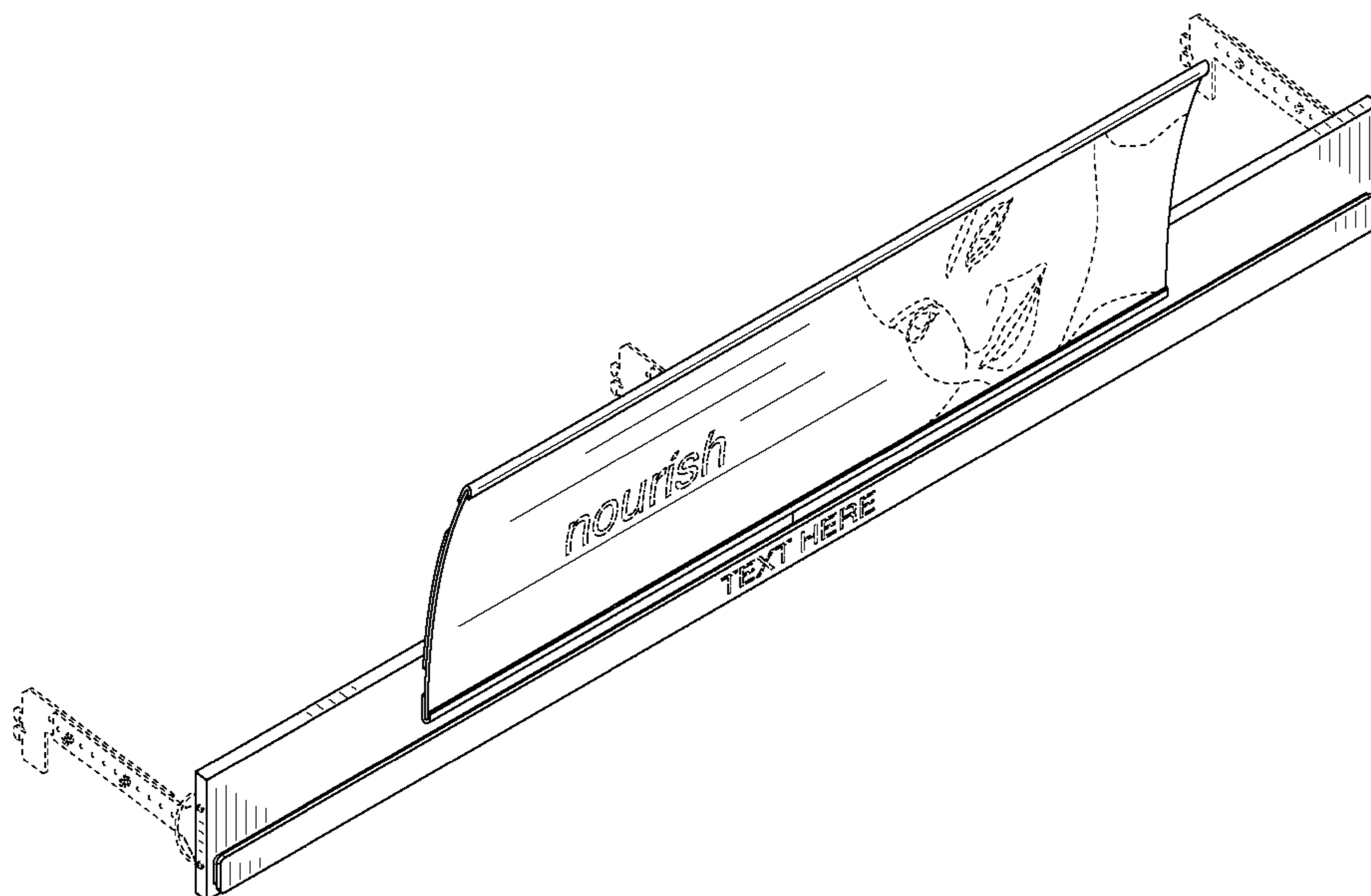
FIG. 5 is a left elevation view of the display apparatus of FIG. 1.

FIG. 6 is a top plan view of the display apparatus of FIG. 1; and,

FIG. 7 is a bottom plan view of the display apparatus of FIG. 1.

The broken lines are included for illustrative purposes only and form no part of the claimed design.

1 Claim, 4 Drawing Sheets



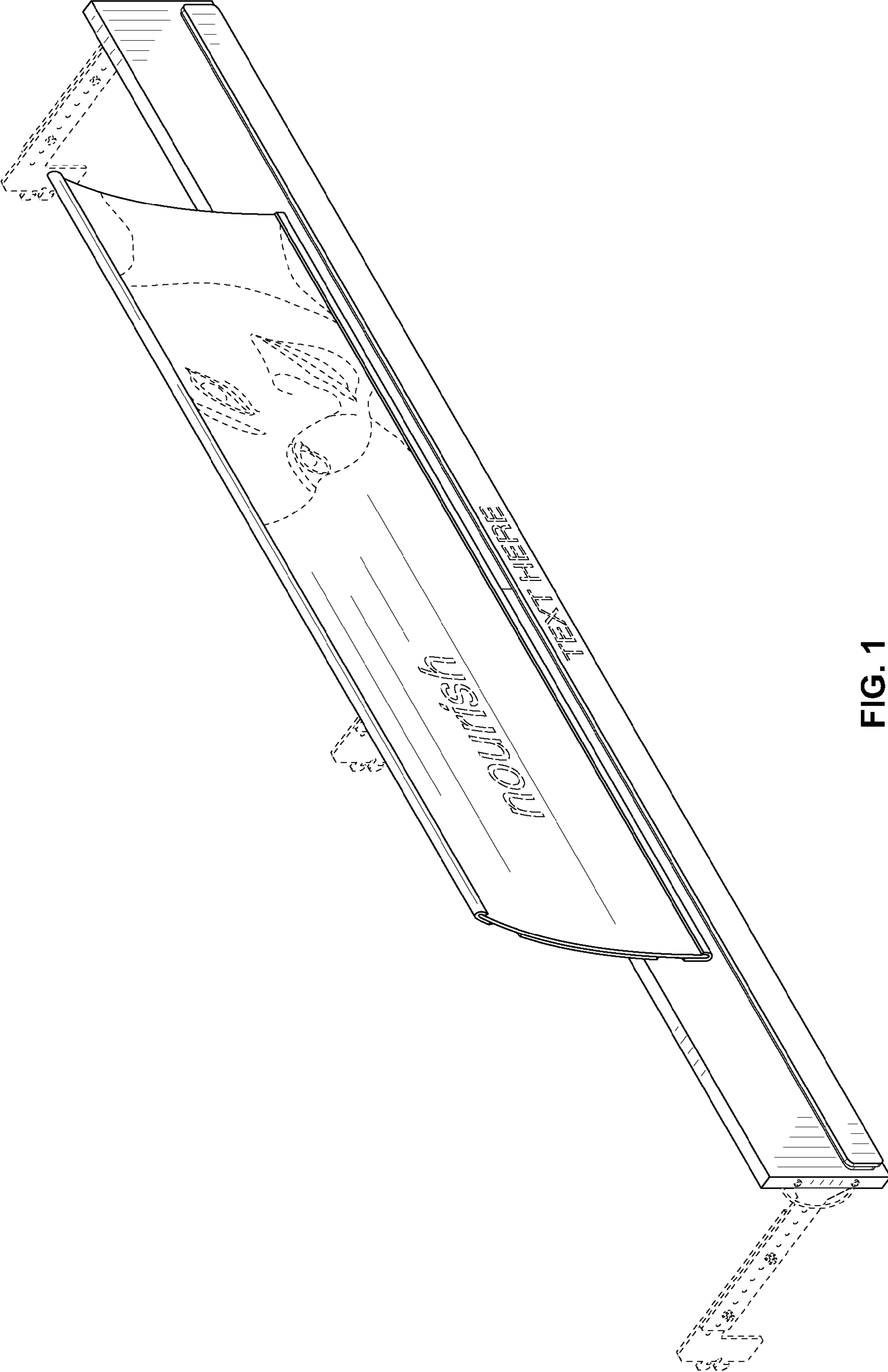


FIG. 1

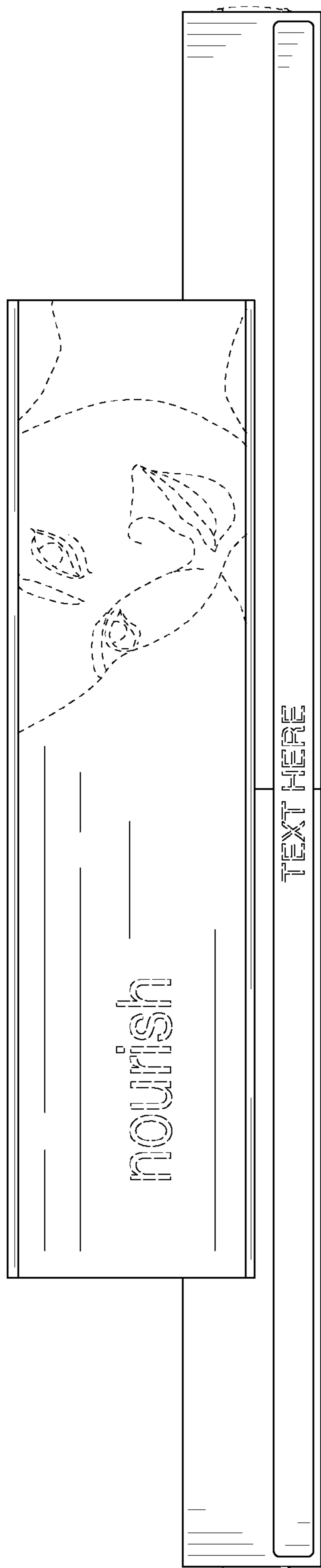


FIG. 2

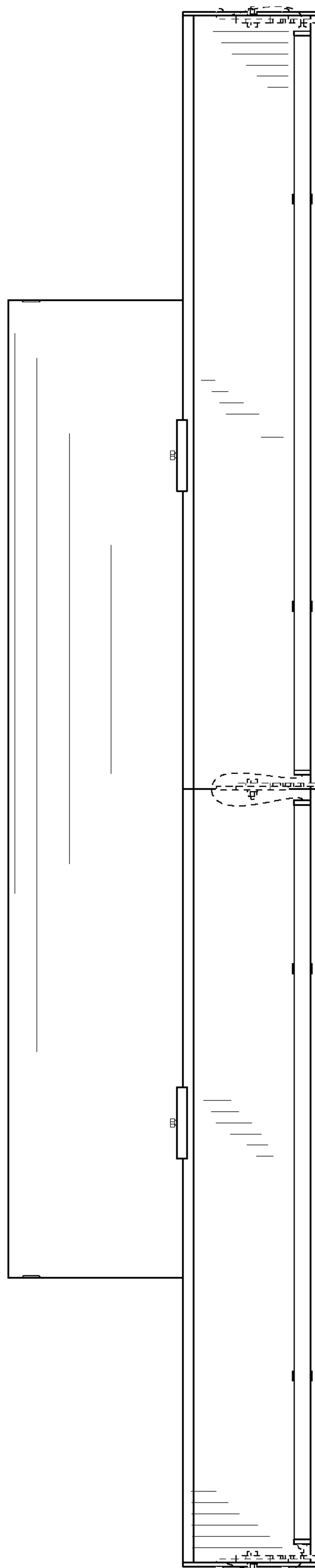


FIG. 3

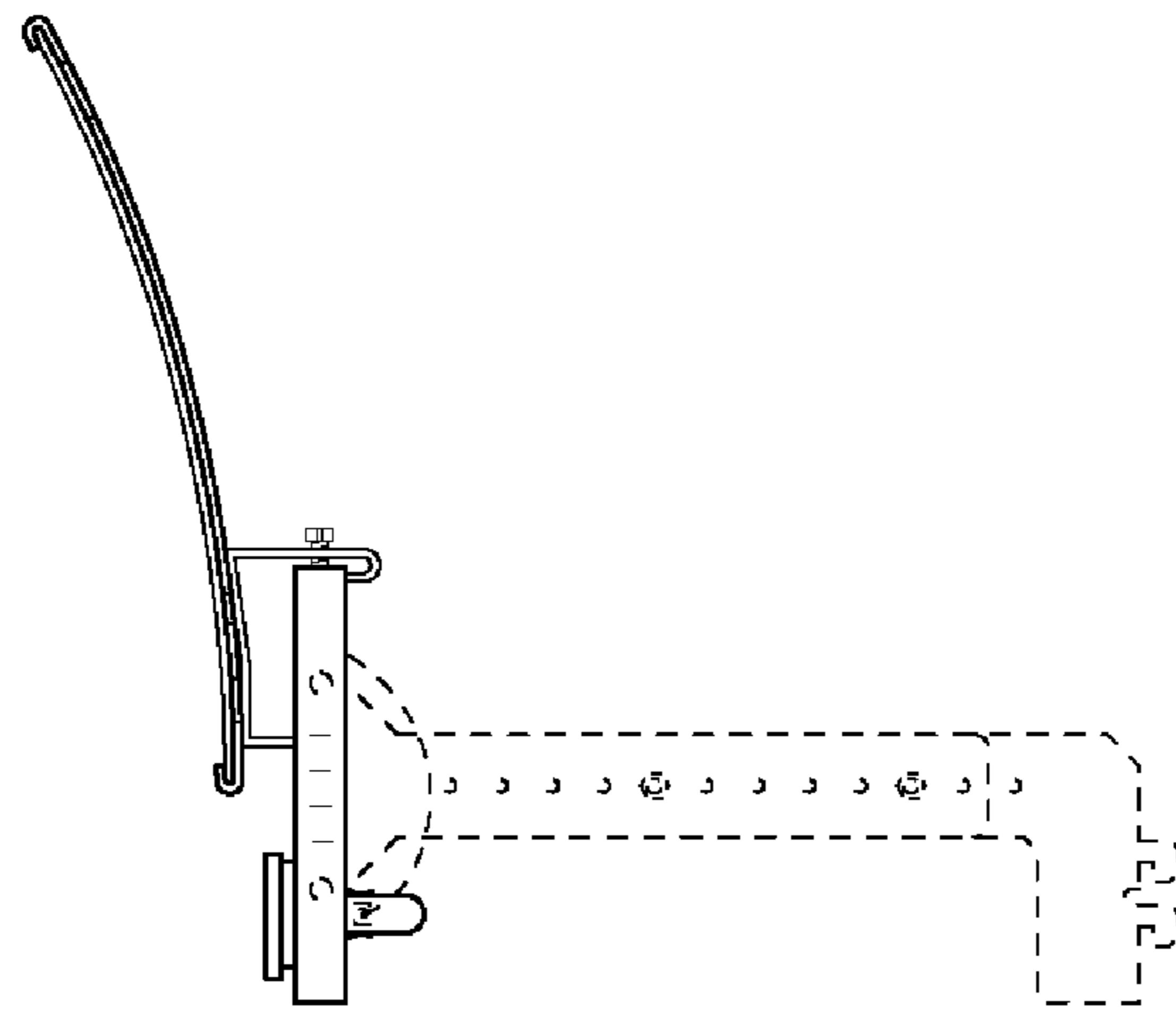


FIG. 4

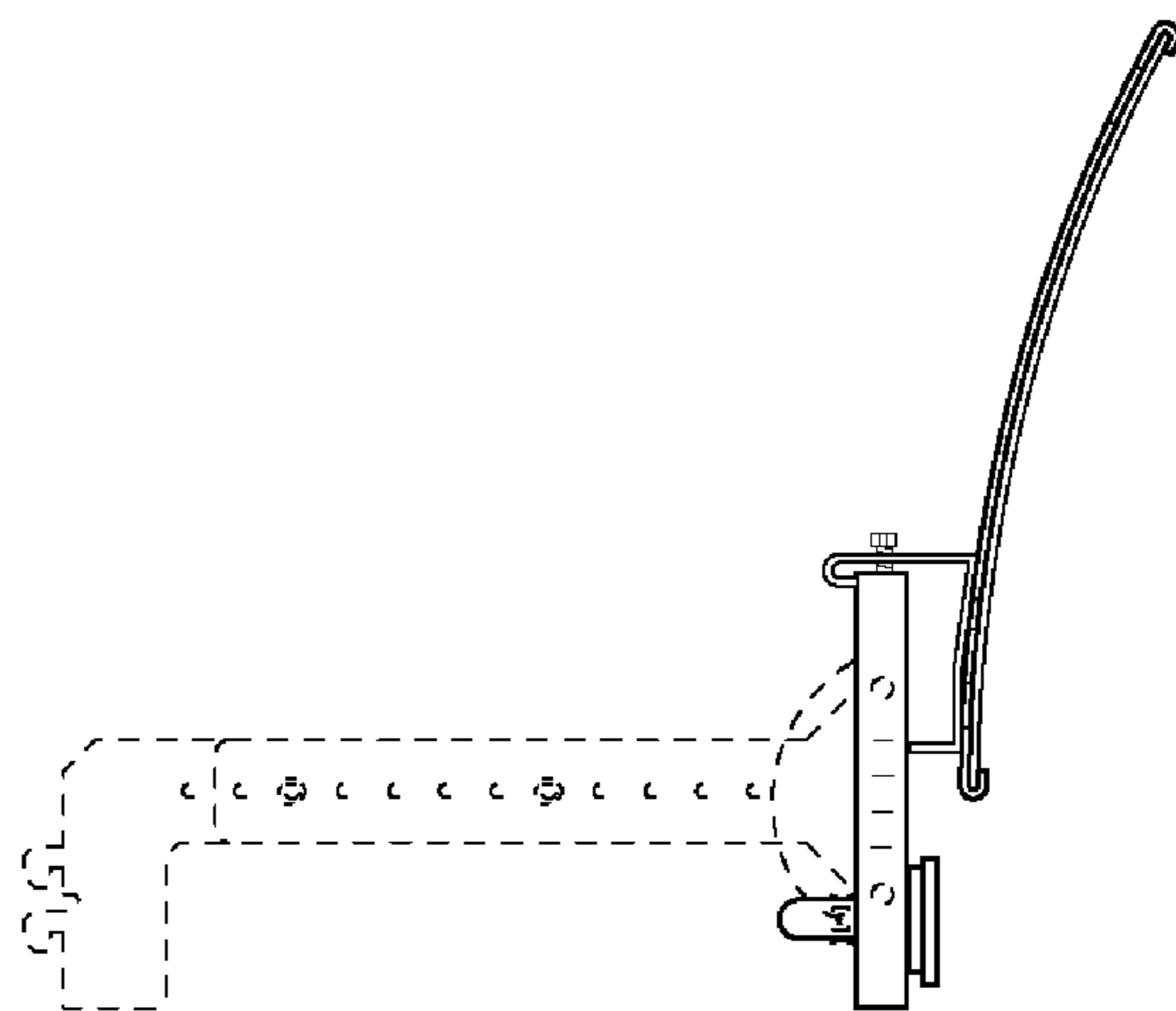


FIG. 5

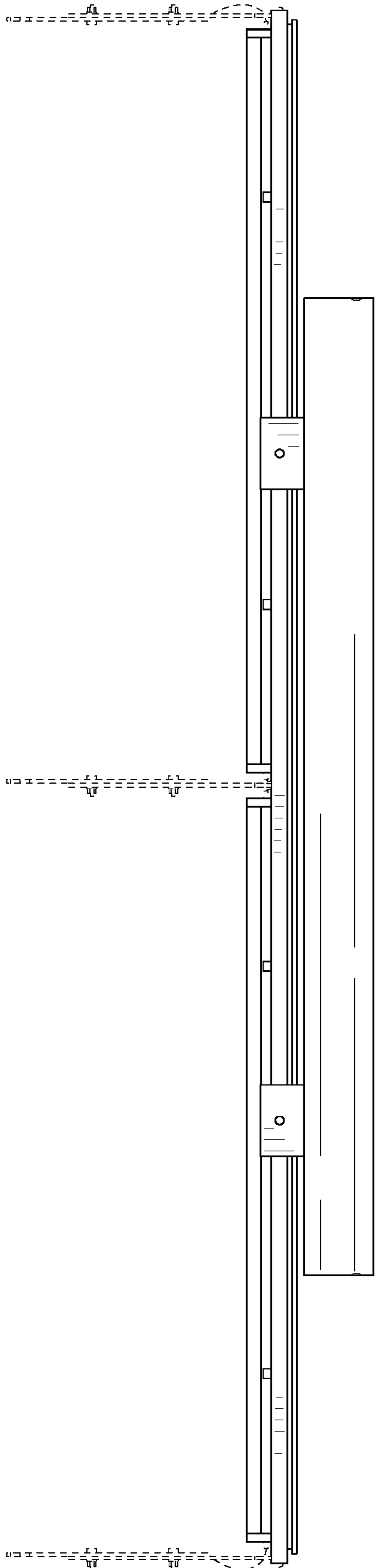


FIG. 6

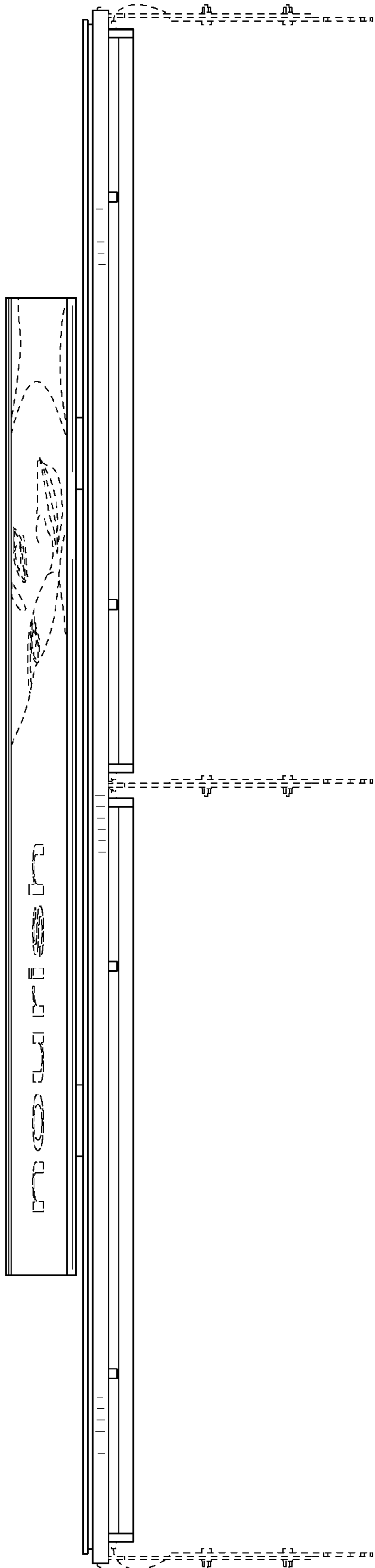


FIG. 7