



US00D608836S

(12) **United States Design Patent**  
**Kosir**

(10) **Patent No.:** **US D608,836 S**  
(45) **Date of Patent:** **\*\* Jan. 26, 2010**

(54) **SIGN HOLDER BASE**

(75) Inventor: **Joseph P. Kosir**, Euclid, OH (US)

(73) Assignee: **Fasteners For Retail, Inc.**, Cleveland, OH (US)

(\*\*) Term: **14 Years**

(21) Appl. No.: **29/326,558**

(22) Filed: **Oct. 20, 2008**

(51) **LOC (9) Cl.** ..... **20-03**

(52) **U.S. Cl.** ..... **D20/43**

(58) **Field of Classification Search** ..... D20/10,  
D20/15, 17, 19, 39, 41-43, 99; 40/299.01,  
40/541, 584, 606.01, 606.03, 606.17, 607.11,  
40/607.13, 642.02, 658, 661, 661.01, 661.13,  
40/662, 663, 666; D6/466; D8/373; D10/109;  
29/642; 248/220.22, 473; 434/415; 439/505  
See application file for complete search history.

(56) **References Cited**

**U.S. PATENT DOCUMENTS**

- D286,371 S \* 10/1986 Shuman ..... D8/373
- 4,960,258 A 10/1990 Stocker et al.
- 5,029,378 A 7/1991 Stocker et al.
- 5,176,522 A \* 1/1993 Robertson, Jr. .... 434/415
- 5,664,749 A \* 9/1997 Kump et al. .... 248/220.22
- 6,672,897 B2 \* 1/2004 Tseng ..... 439/505

D581,187 S \* 11/2008 Vihauer ..... D6/466  
2003/0082947 A1 \* 5/2003 Tseng ..... 439/505

**OTHER PUBLICATIONS**

FFr Yellow Pages 2008 Product Catalog, cover page and pp. 102-103.  
\* cited by examiner

*Primary Examiner*—Janice E Seeger  
*Assistant Examiner*—Mary Ann Calabrese  
(74) *Attorney, Agent, or Firm*—Fay Sharpe LLP

(57) **CLAIM**

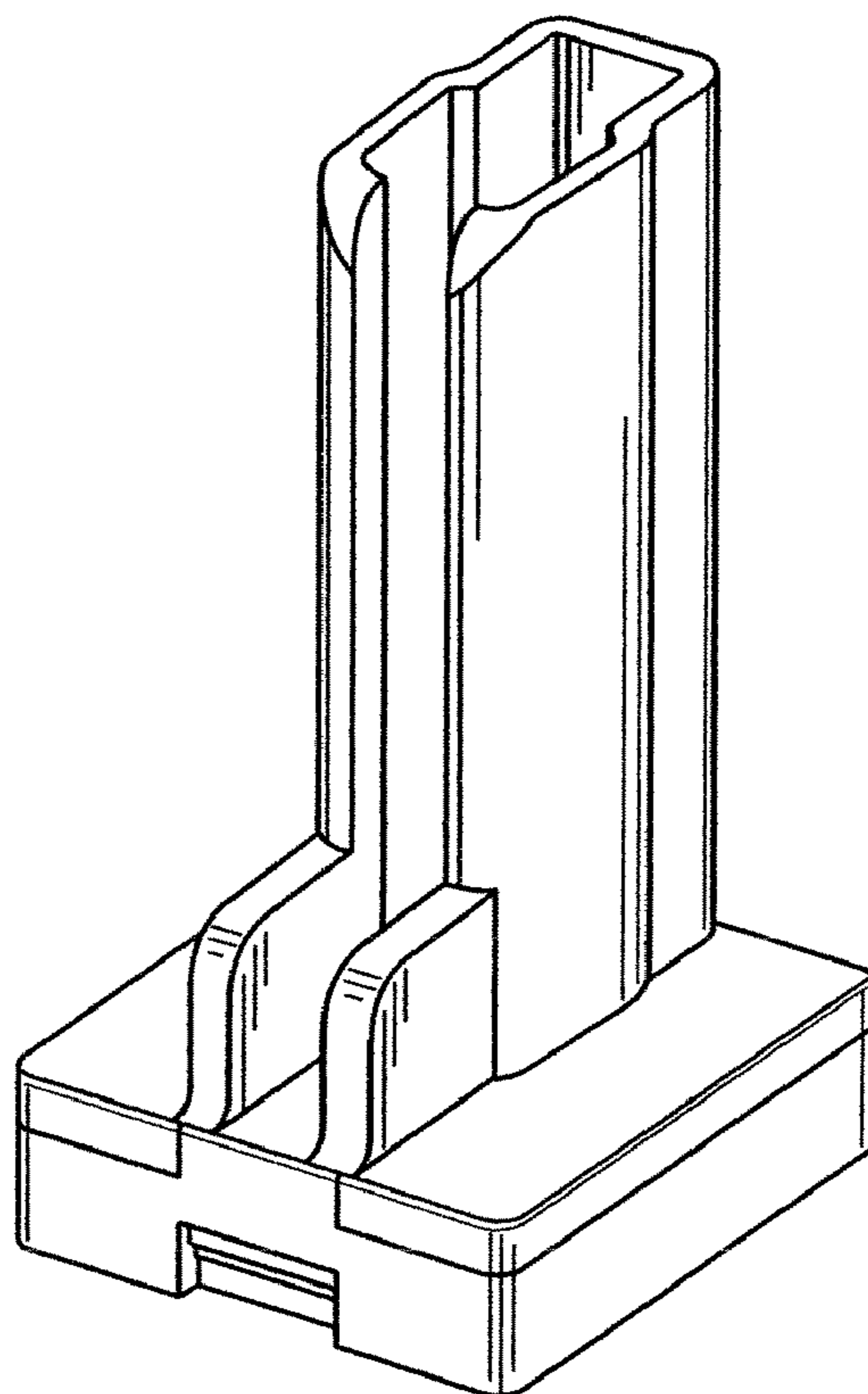
The ornamental design for a sign holder base, as shown and described.

**DESCRIPTION**

FIG. 1 is a front elevational view of a sign holder base illustrating my new design;  
FIG. 2 is a rear elevational view thereof;  
FIG. 3 is a right side elevational view thereof;  
FIG. 4 is a left side elevational view thereof;  
FIG. 5 is a top plan view thereof;  
FIG. 6 is a bottom plan view thereof; and,  
FIG. 7 is an enlarged perspective view thereof.

In the drawings, the broken lines represent environmental structure forming no part of the claimed design.

**1 Claim, 2 Drawing Sheets**



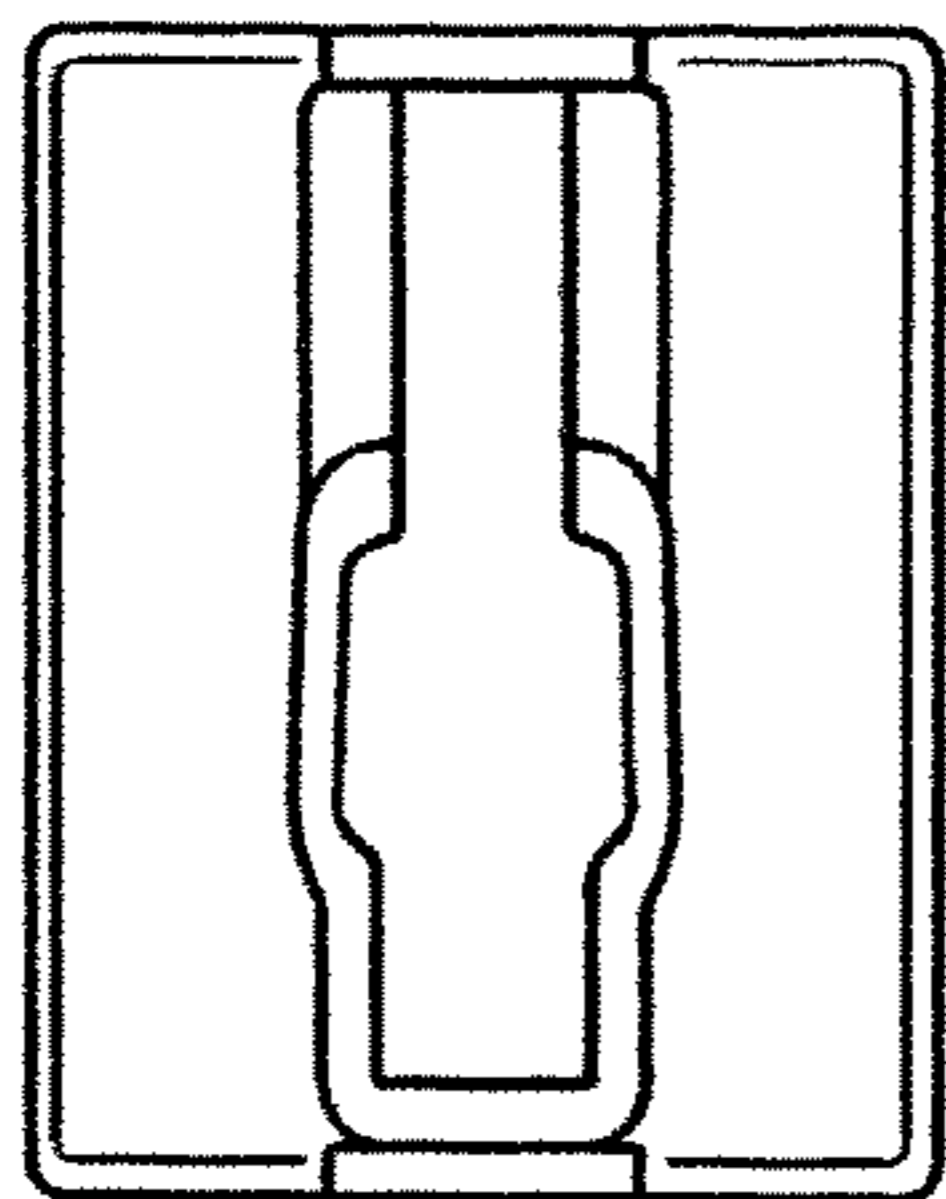


FIG. 5

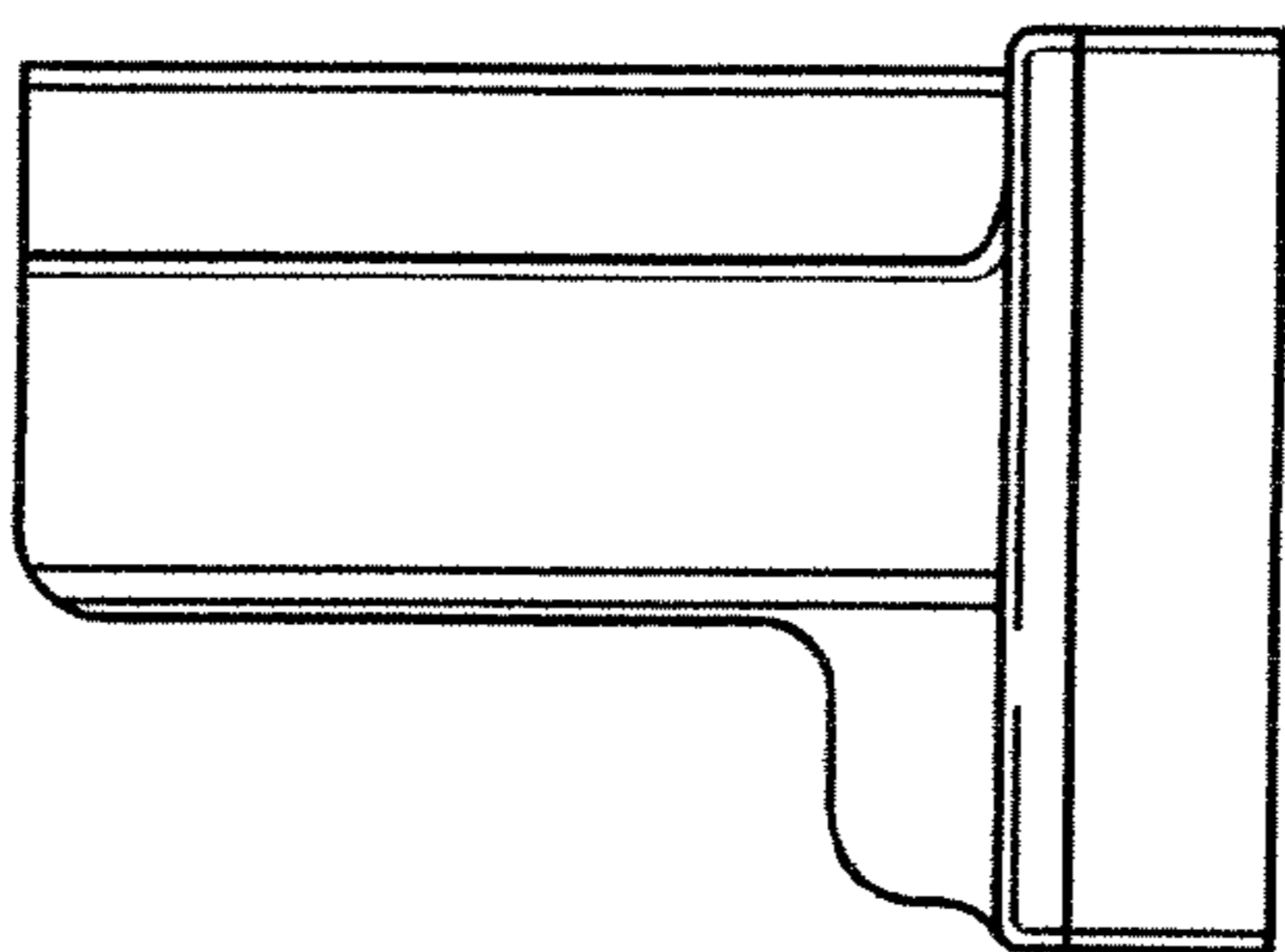


FIG. 3

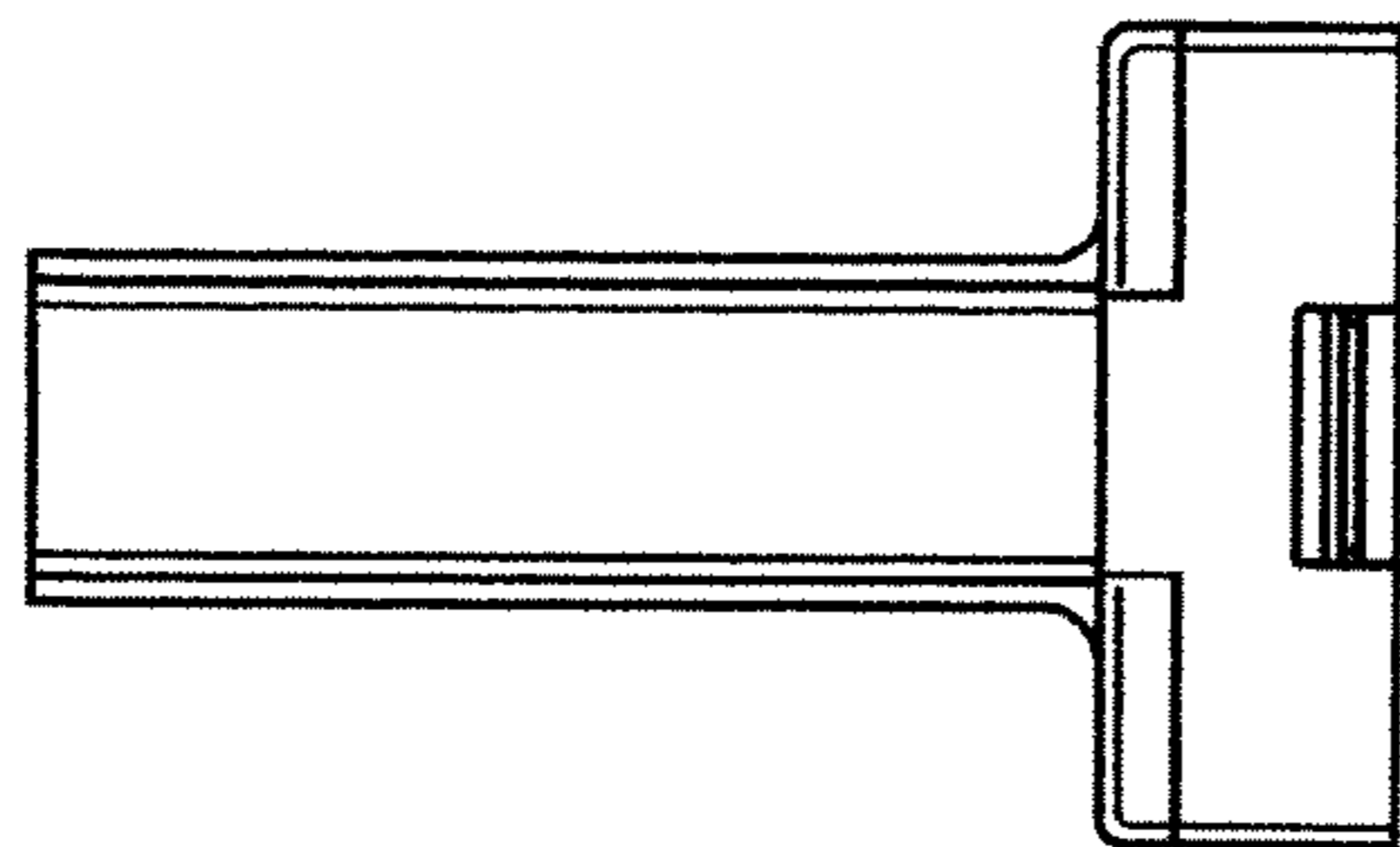


FIG. 2

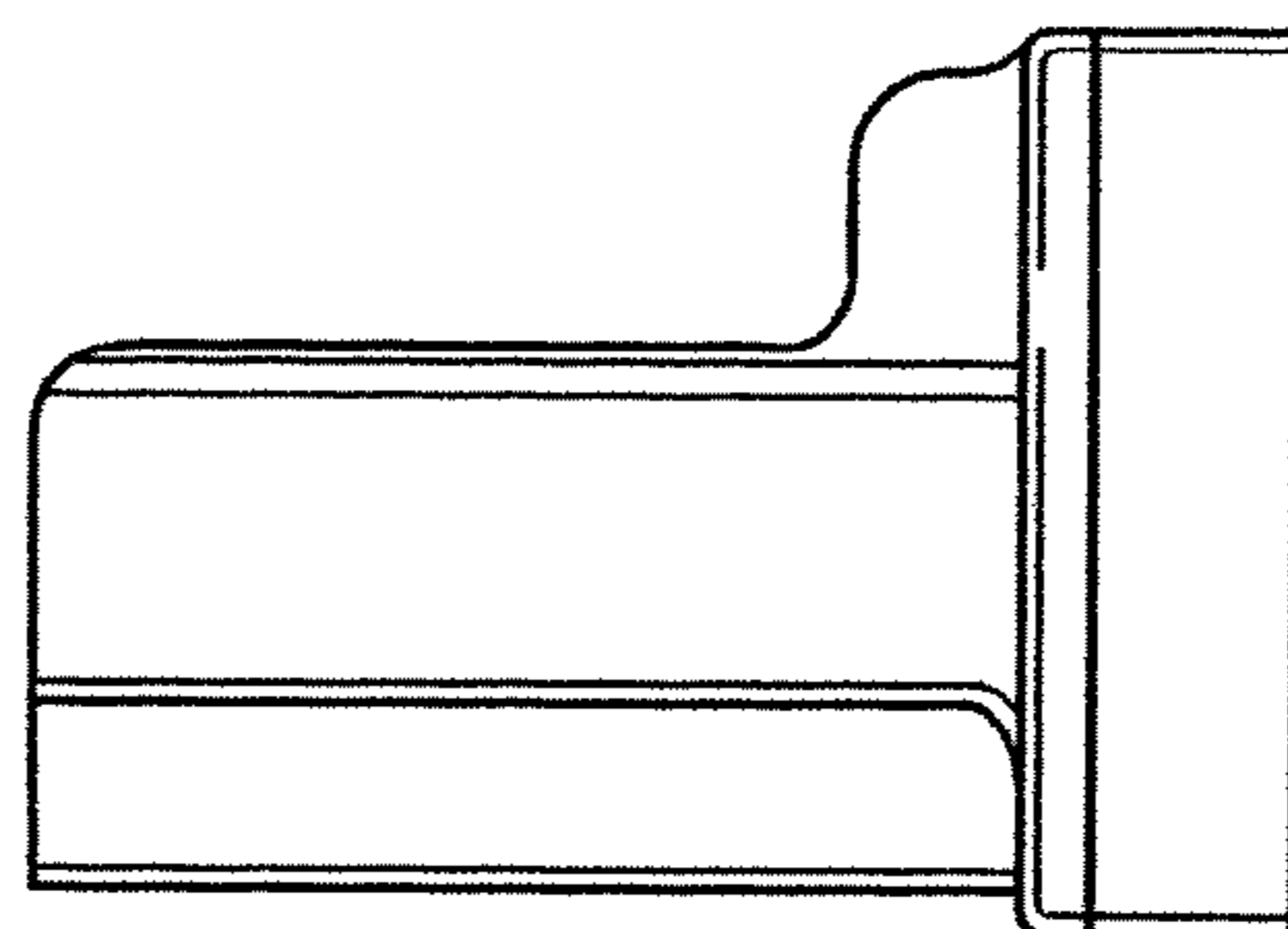


FIG. 4

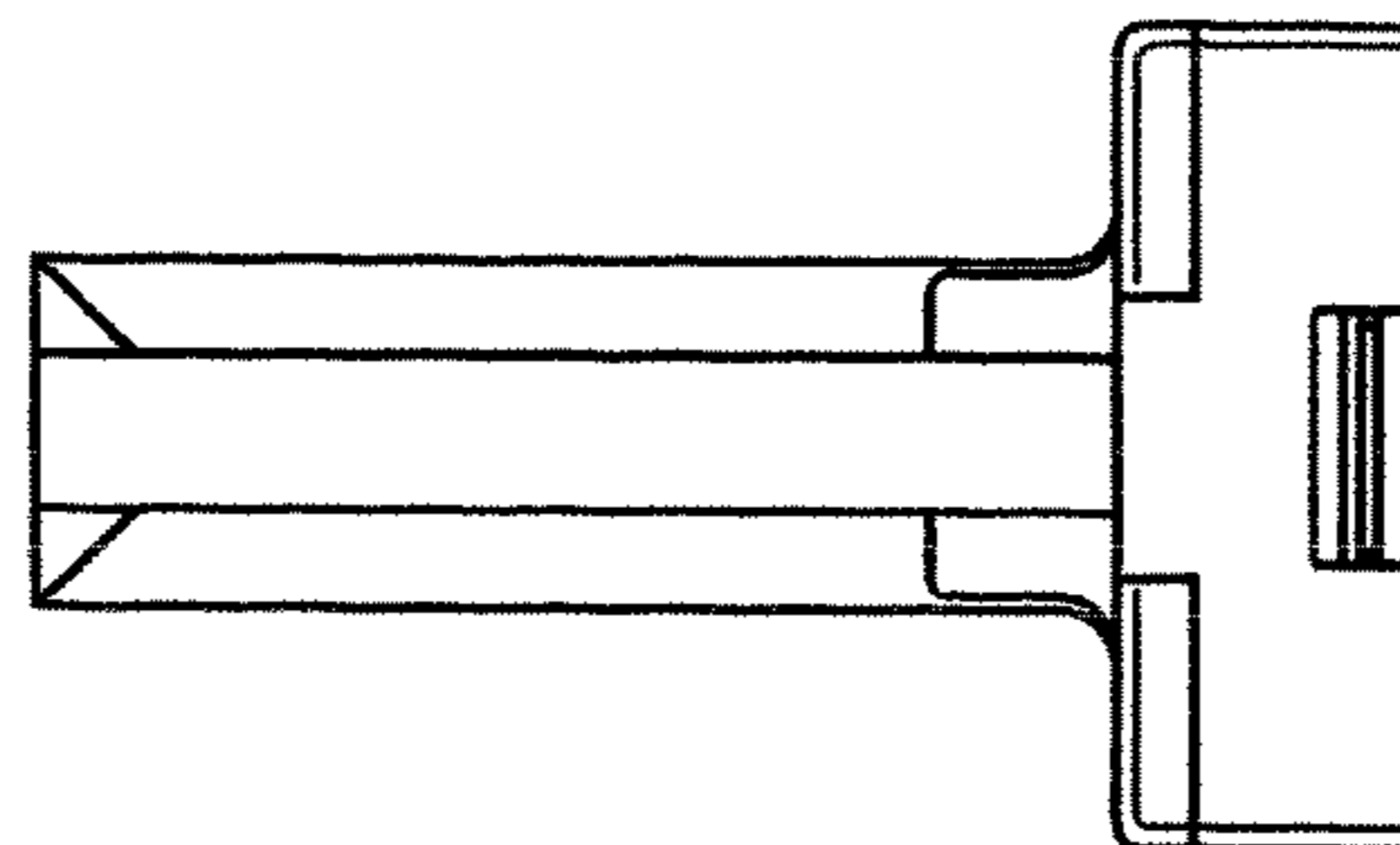


FIG. 1

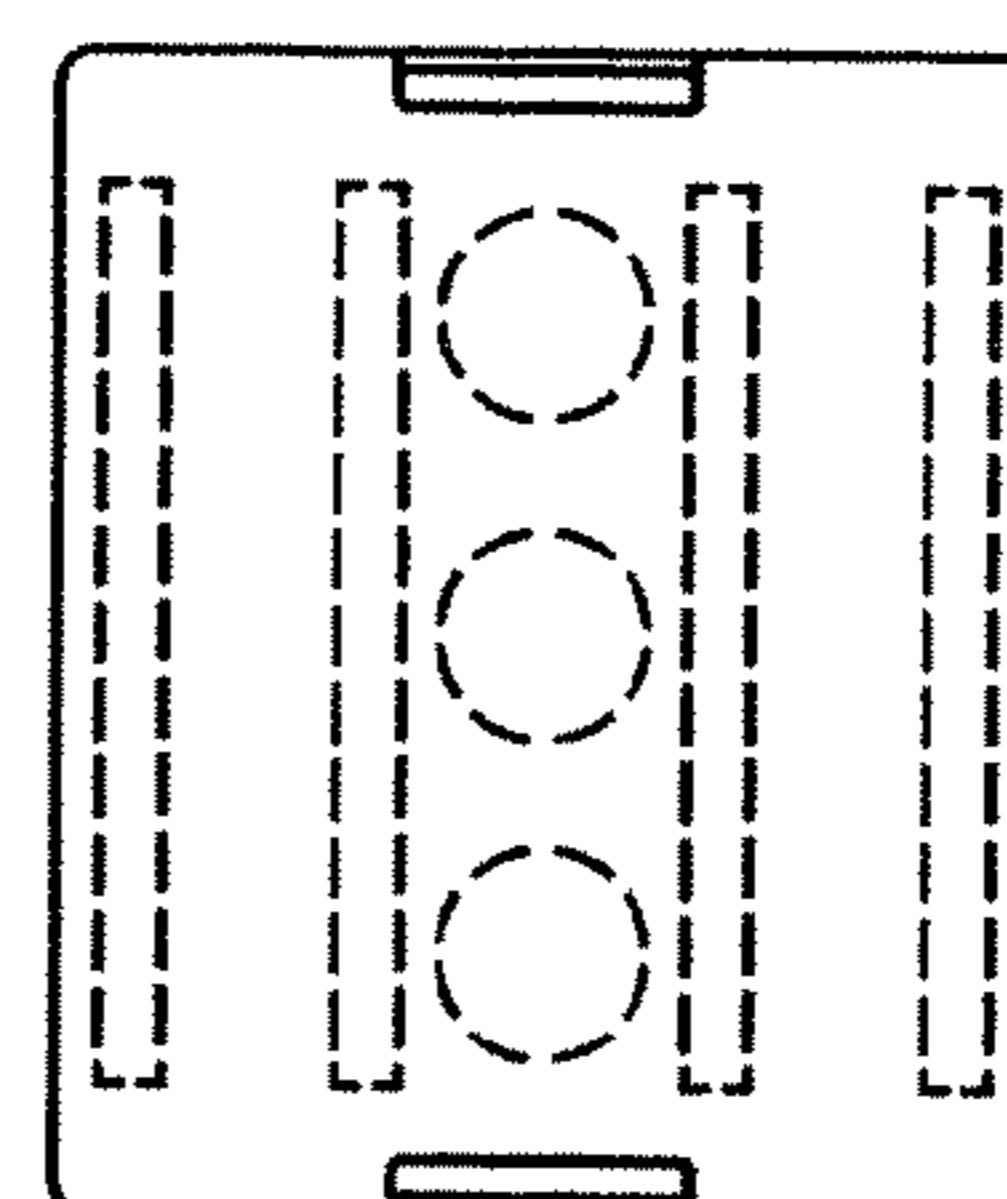
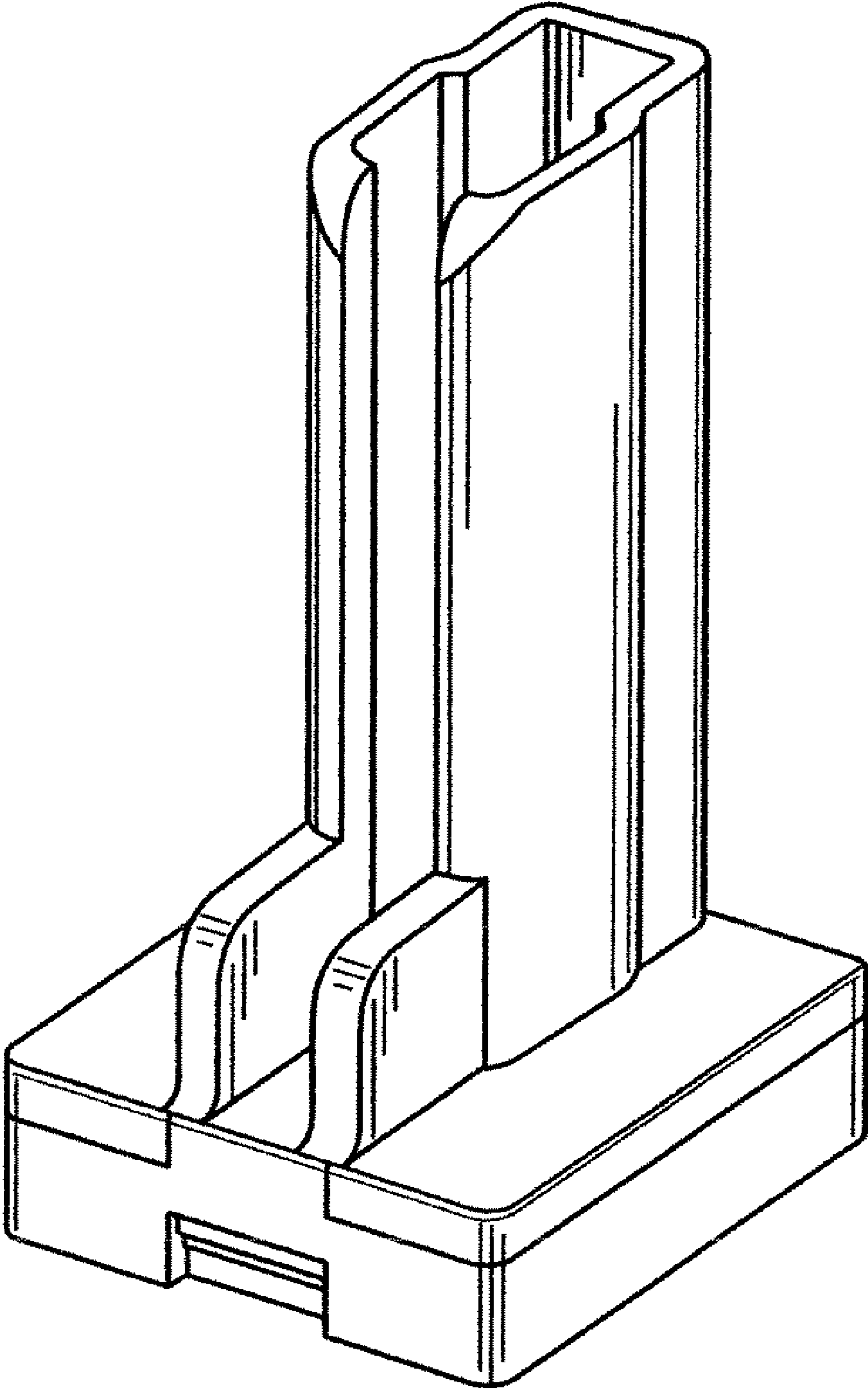


FIG. 6



**FIG. 7**