



US00D608825S

(12) **United States Design Patent**
Brett

(10) **Patent No.:** **US D608,825 S**
(45) **Date of Patent:** **** Jan. 26, 2010**

(54) **FOLDING GIFT CARD HOLDER**

(76) Inventor: **Glass R. Brett**, 14717 Farley St.,
Overland Park, KS (US) 66221

(**) Term: **14 Years**

(21) Appl. No.: **29/338,767**

(22) Filed: **Jun. 18, 2009**

(51) **LOC (9) Cl.** **19-01**

(52) **U.S. Cl.** **D19/3**

(58) **Field of Classification Search** D19/1-34;
40/124.01-124.15, 672, 661, 726, 776, 617;
283/72, 74, 75, 103, 105, 106; 206/449,
206/213, 308.3; D20/10, 22, 27, 40, 42,
D20/11; 229/72, 92, 92.1, 300-303, 81;
D9/707, 709; 383/103, 51, 40, 87

See application file for complete search history.

(56) **References Cited**

U.S. PATENT DOCUMENTS

D267,653 S *	1/1983	Miller et al.	D19/26
D283,231 S *	4/1986	Bradenburger	D19/1
D304,343 S *	10/1989	Popat et al.	D19/26
D308,225 S *	5/1990	Dressler	D19/26
D339,604 S *	9/1993	Gerber-Phinny	D19/3
D341,850 S *	11/1993	Reddock	D19/1
5,318,222 A *	6/1994	Bartlett	229/72
D468,349 S *	1/2003	Scott et al.	D19/26
D471,929 S *	3/2003	Masson	D19/26
D498,256 S *	11/2004	Weiss et al.	D19/3
6,938,759 B2 *	9/2005	Golden et al.	206/308.3
D521,553 S *	5/2006	Sterman	D19/2
D544,922 S *	6/2007	Shaffer	D20/10

* cited by examiner

Primary Examiner—T. Chase Nelson

Assistant Examiner—David G Muller

(74) *Attorney, Agent, or Firm*—Erickson, Kernell,
Derousseau & Kleypas, LLC

(57) **CLAIM**

The ornamental design for a folding gift card holder, as shown and described.

DESCRIPTION

FIG. 1 is a perspective view of a folding gift card holder according to the present invention with the panels thereof shown in a fully open position;

FIG. 2 is a front elevational view of the folding gift card holder shown in FIG. 1;

FIG. 3 is a top plan view thereof;

FIG. 4 is a right elevational view thereof;

FIG. 5 is a back elevational view thereof;

FIG. 6 is a bottom plan view thereof;

FIG. 7 is a left elevational view thereof;

FIG. 8 is a perspective view of a folding gift card holder according to the present invention with the panels thereof shown in a partially folded position;

FIG. 9 is a front elevational view of the folding gift card holder shown in FIG. 8;

FIG. 10 is a top plan view thereof;

FIG. 11 is a right elevational view thereof;

FIG. 12 is a back elevational view thereof;

FIG. 13 is a bottom plan view thereof;

FIG. 14 is a left elevational view thereof;

FIG. 15 is a perspective view of a folding gift card holder according to the present invention with the panels thereof shown in a folded position;

FIG. 16 is a back elevational view of the folding gift card holder shown in FIG. 15;

FIG. 17 is a top plan view thereof;

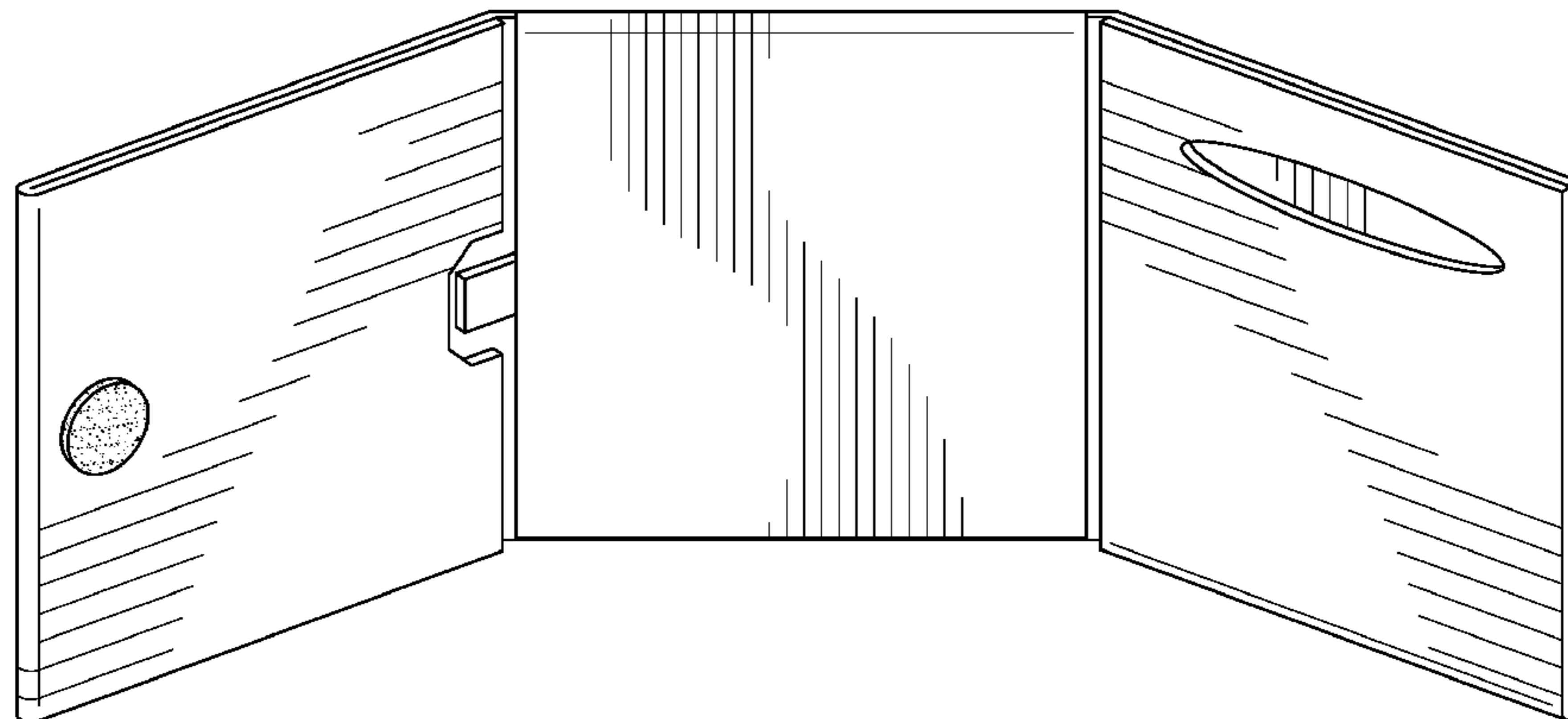
FIG. 18 is a left elevational view thereof;

FIG. 19 is a front elevational view thereof;

FIG. 20 is a right elevational view thereof; and,

FIG. 21 is a bottom plan view thereof.

1 Claim, 8 Drawing Sheets



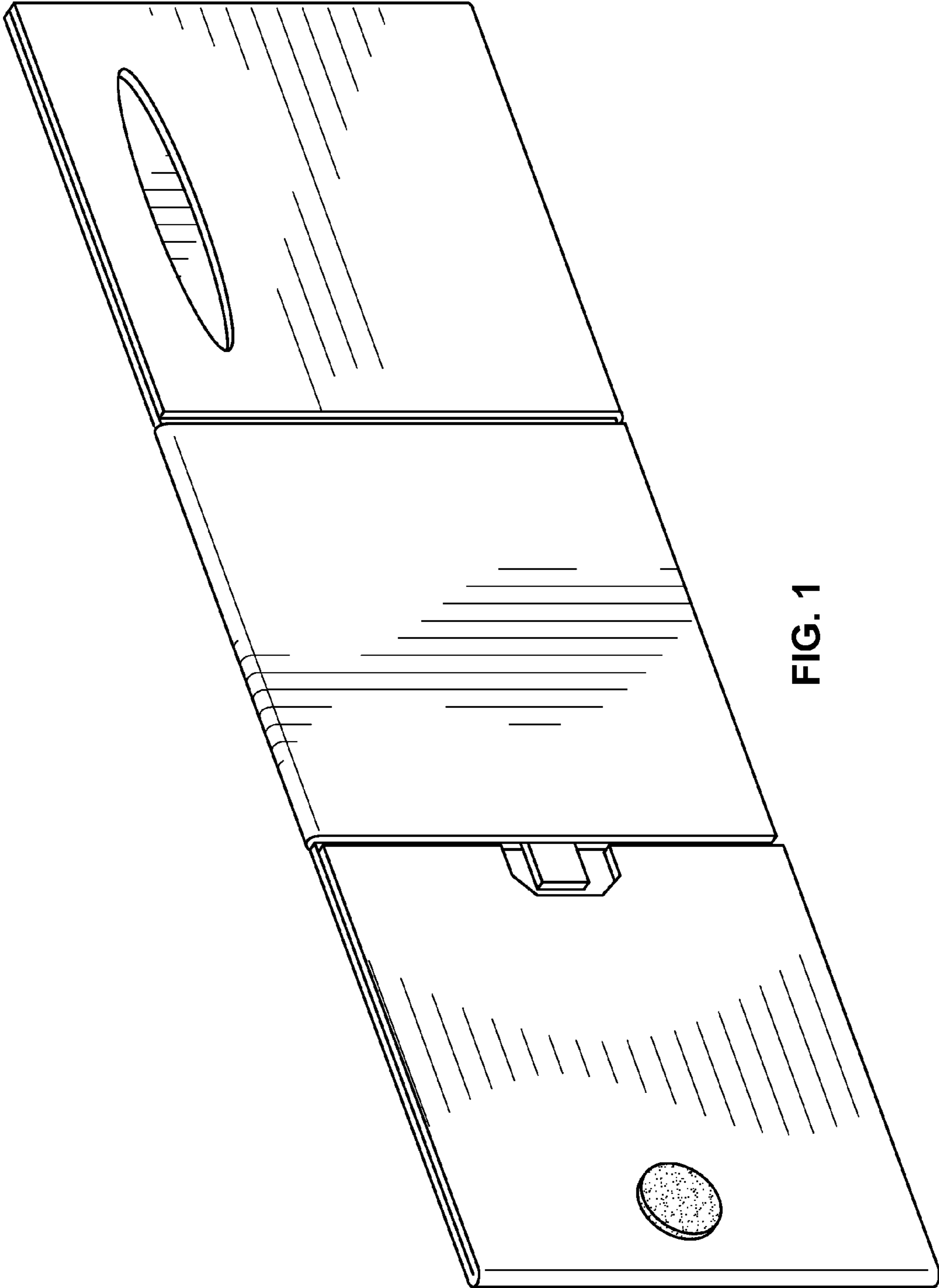


FIG. 1



FIG. 4



FIG. 3

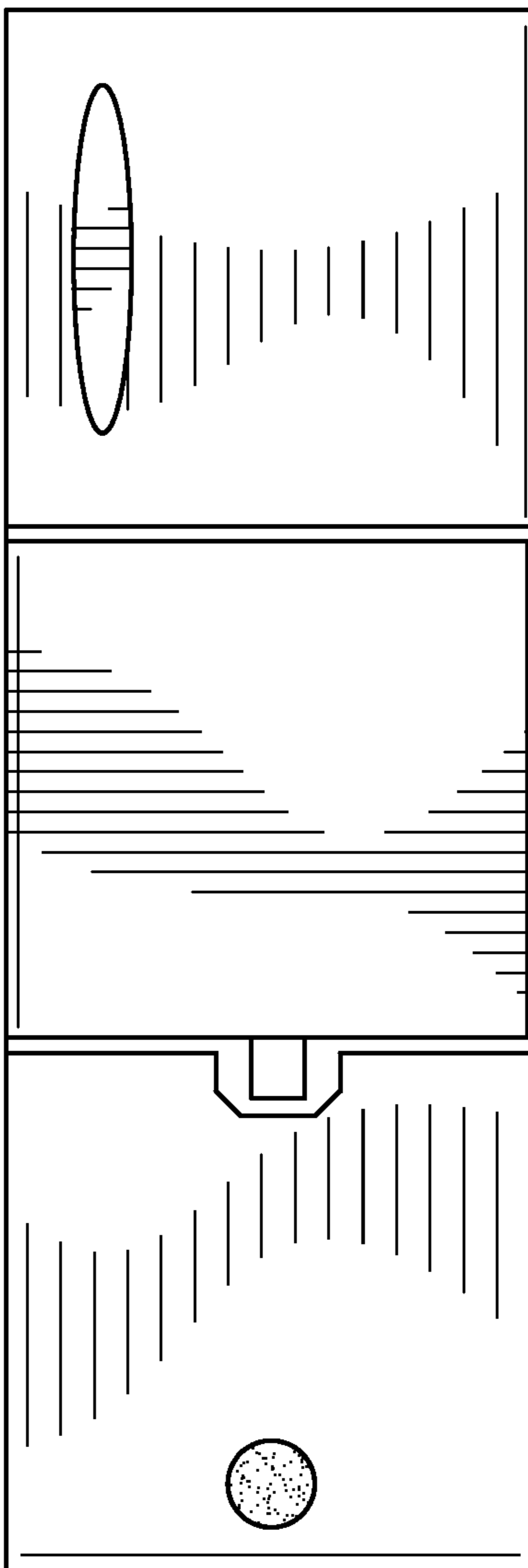


FIG. 2



FIG. 6



FIG. 7

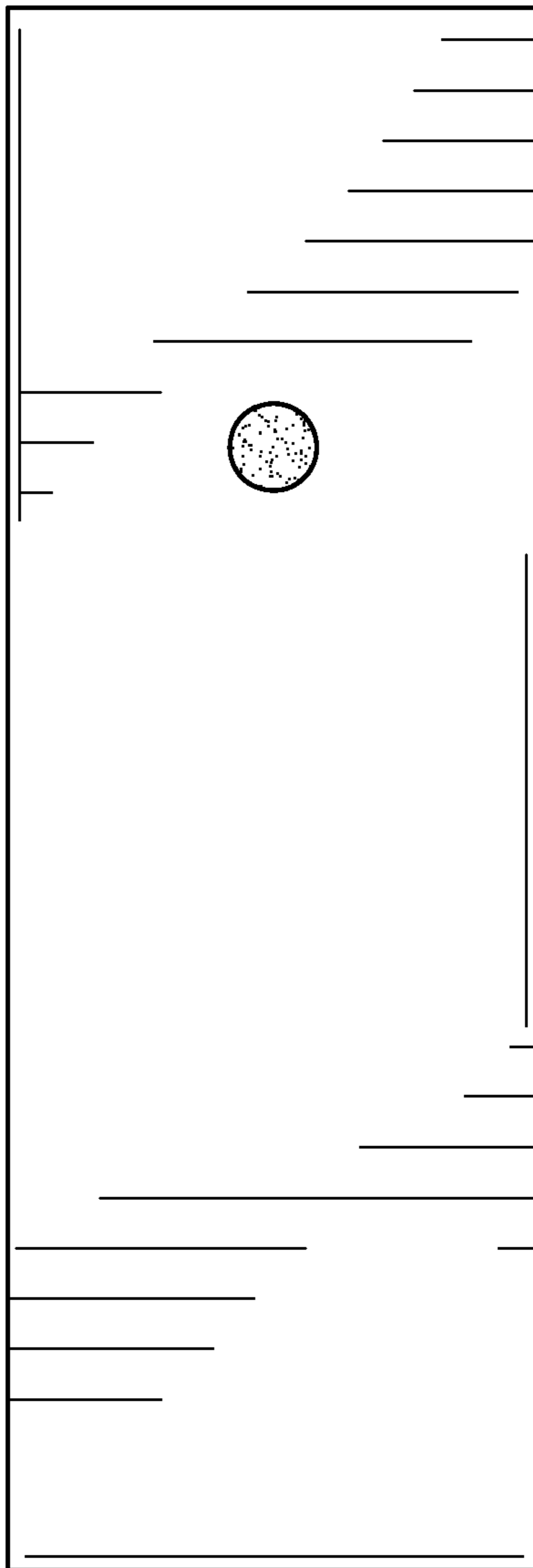


FIG. 5

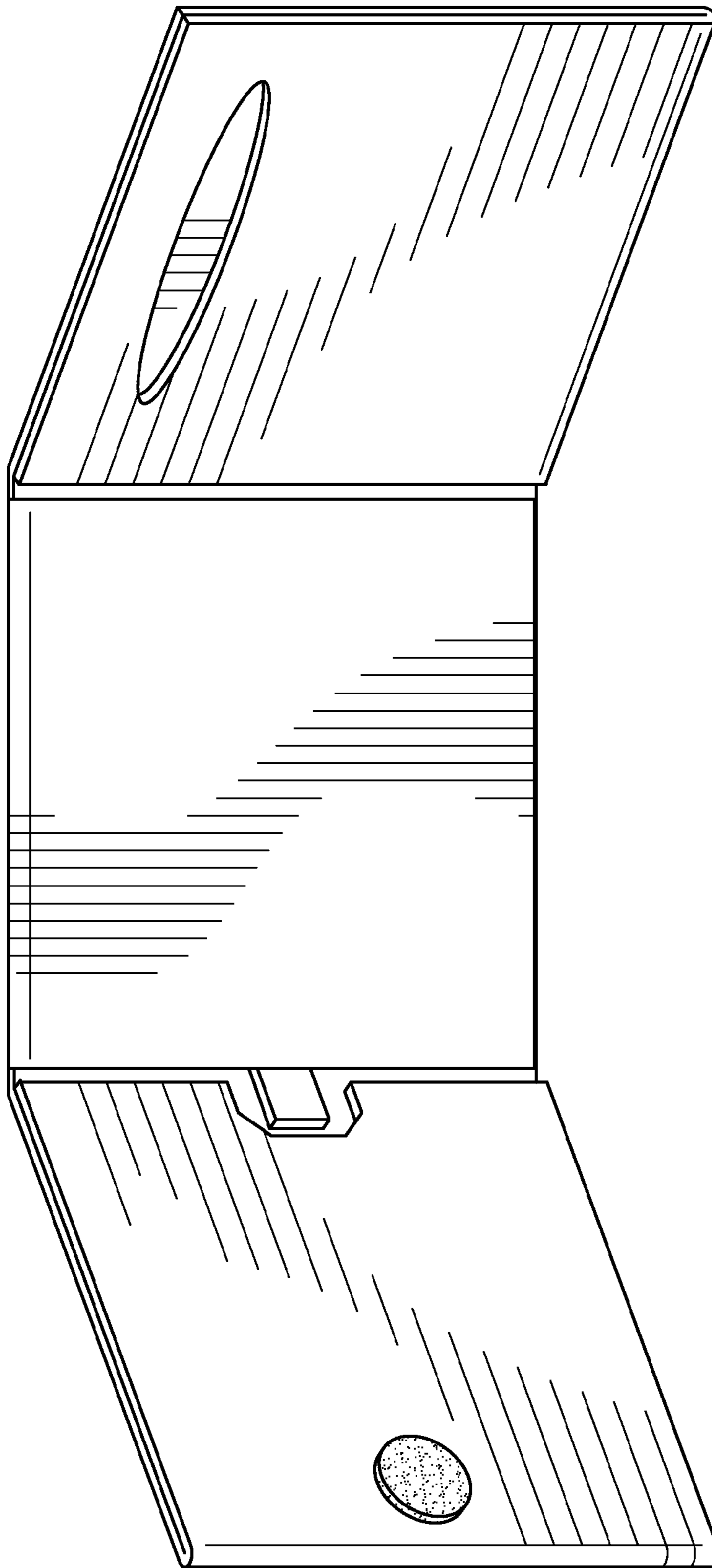


FIG. 8

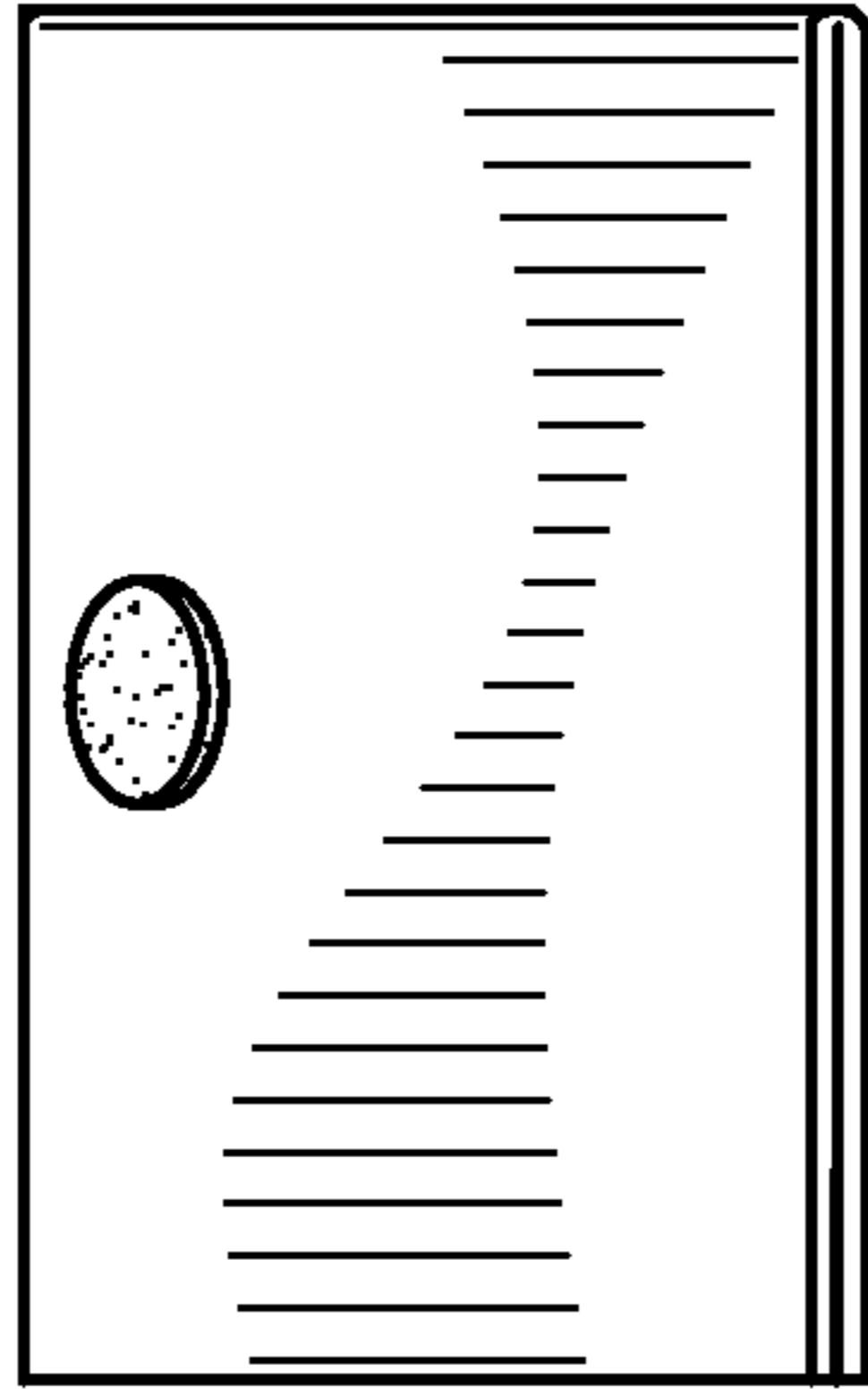


FIG. 11

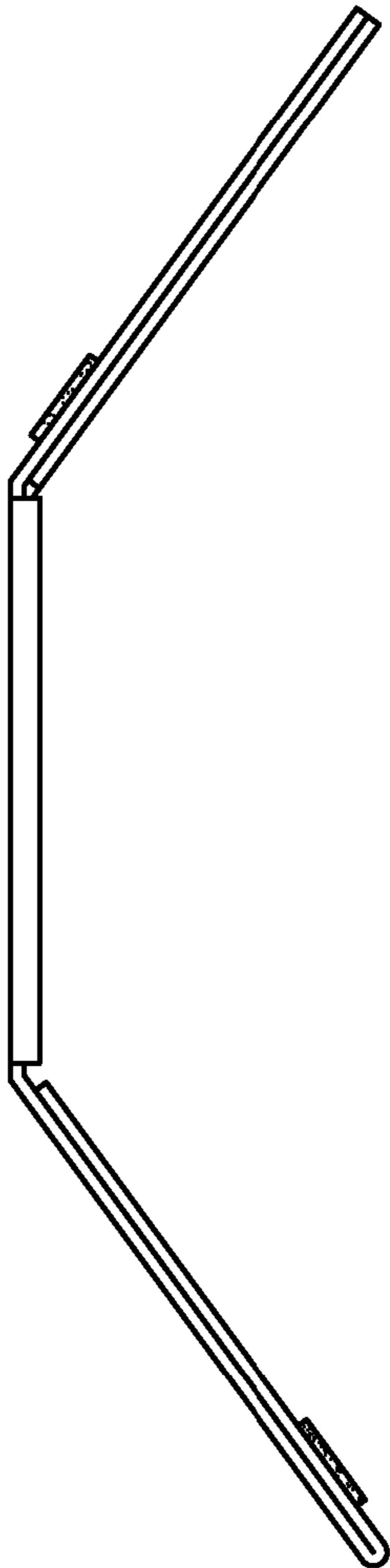


FIG. 10

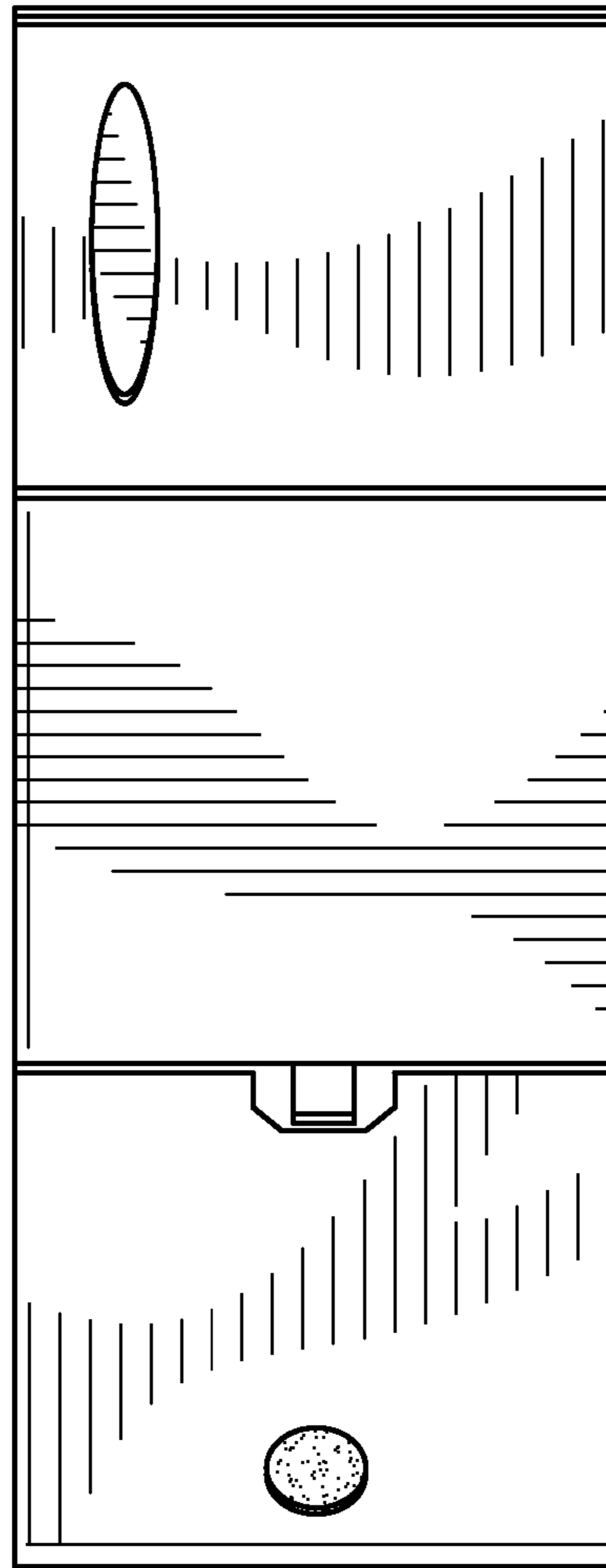


FIG. 9



FIG. 13

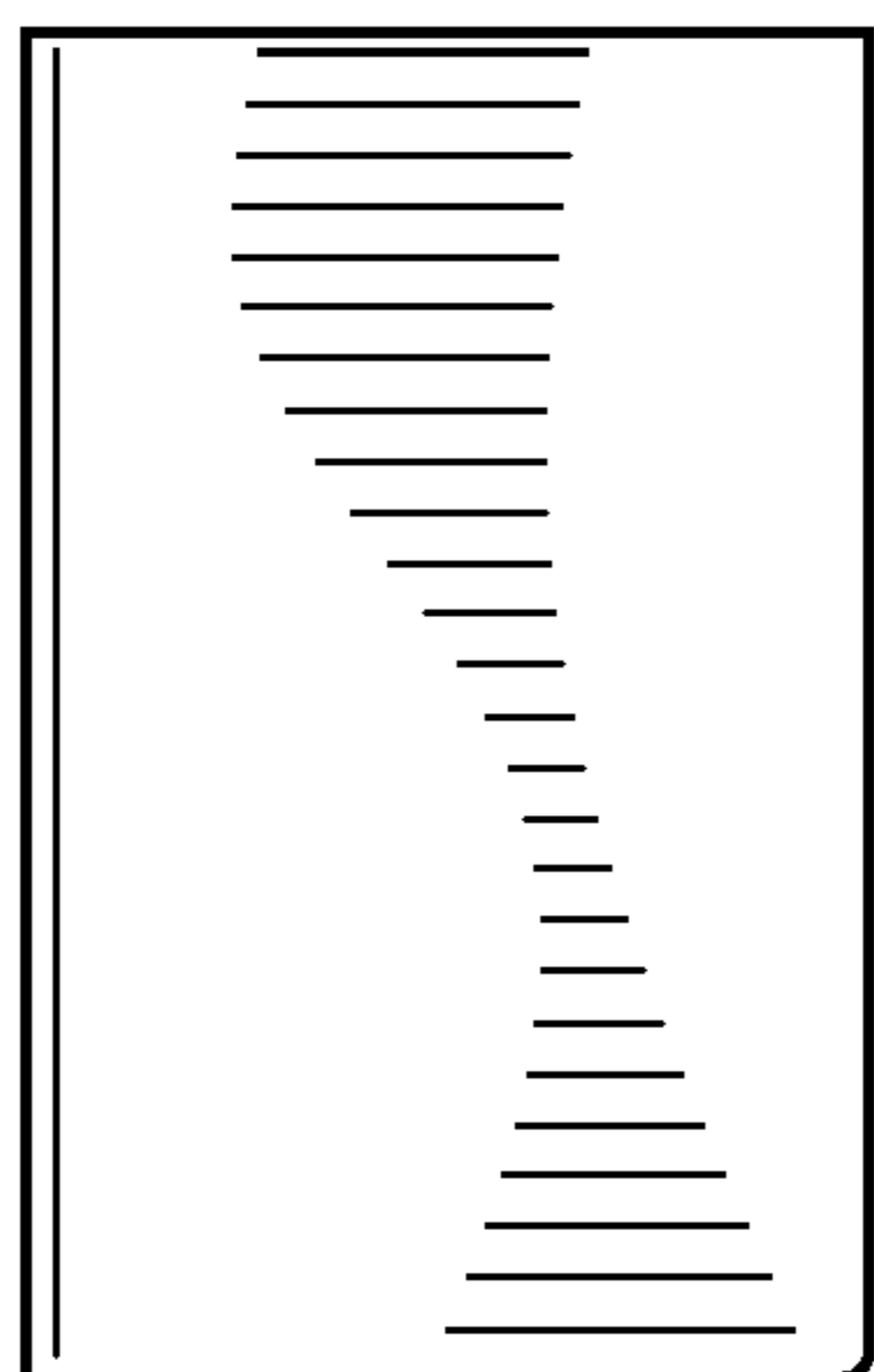


FIG. 14

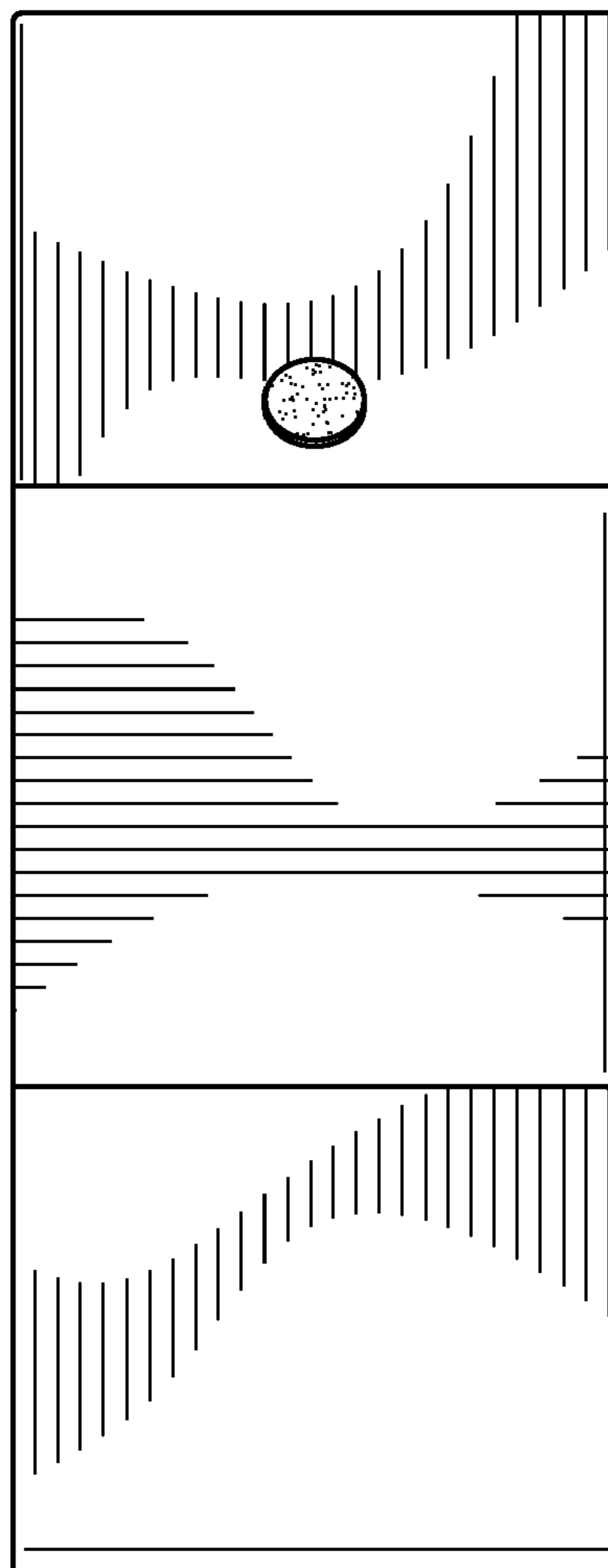


FIG. 12

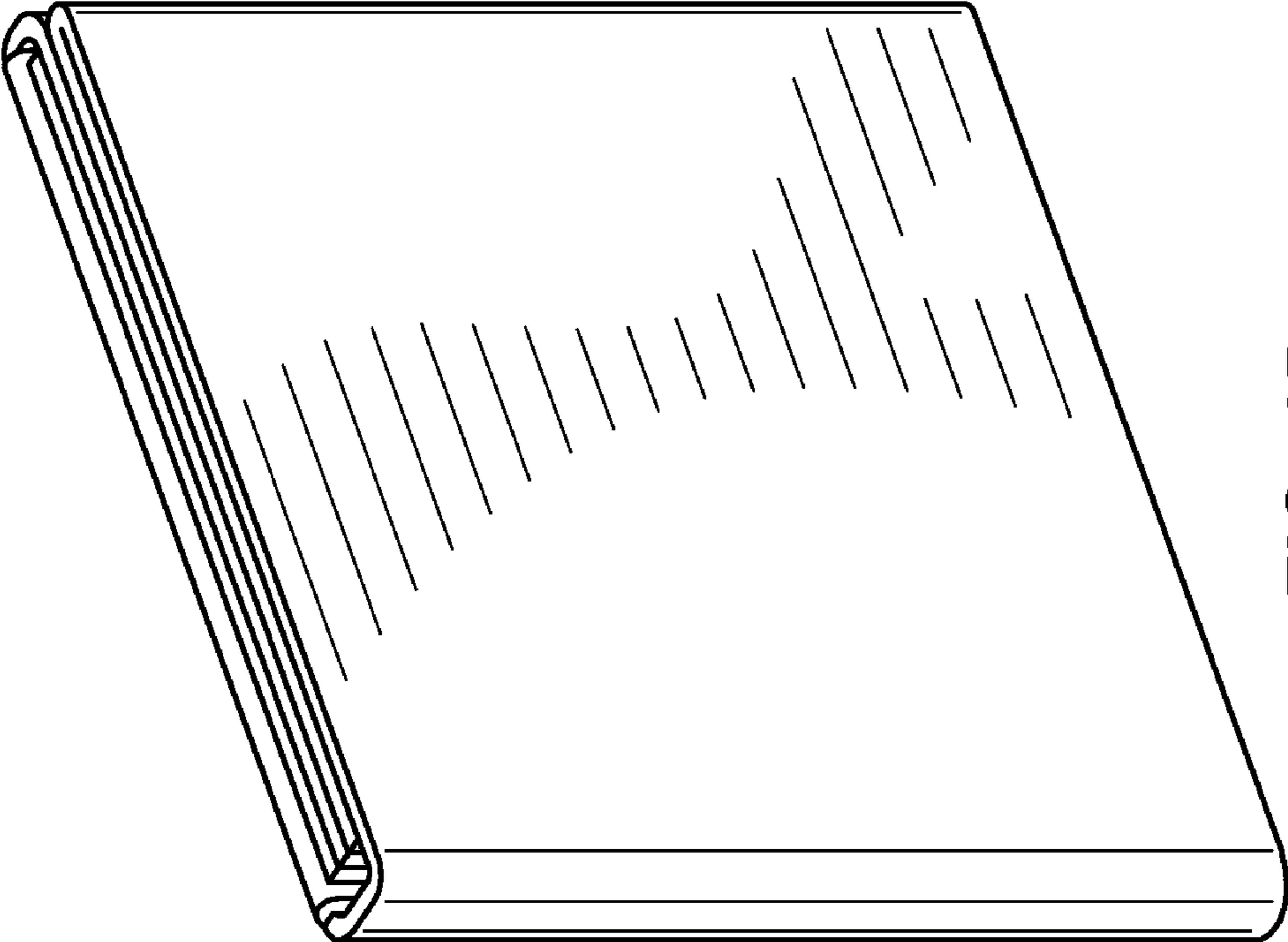


FIG. 15

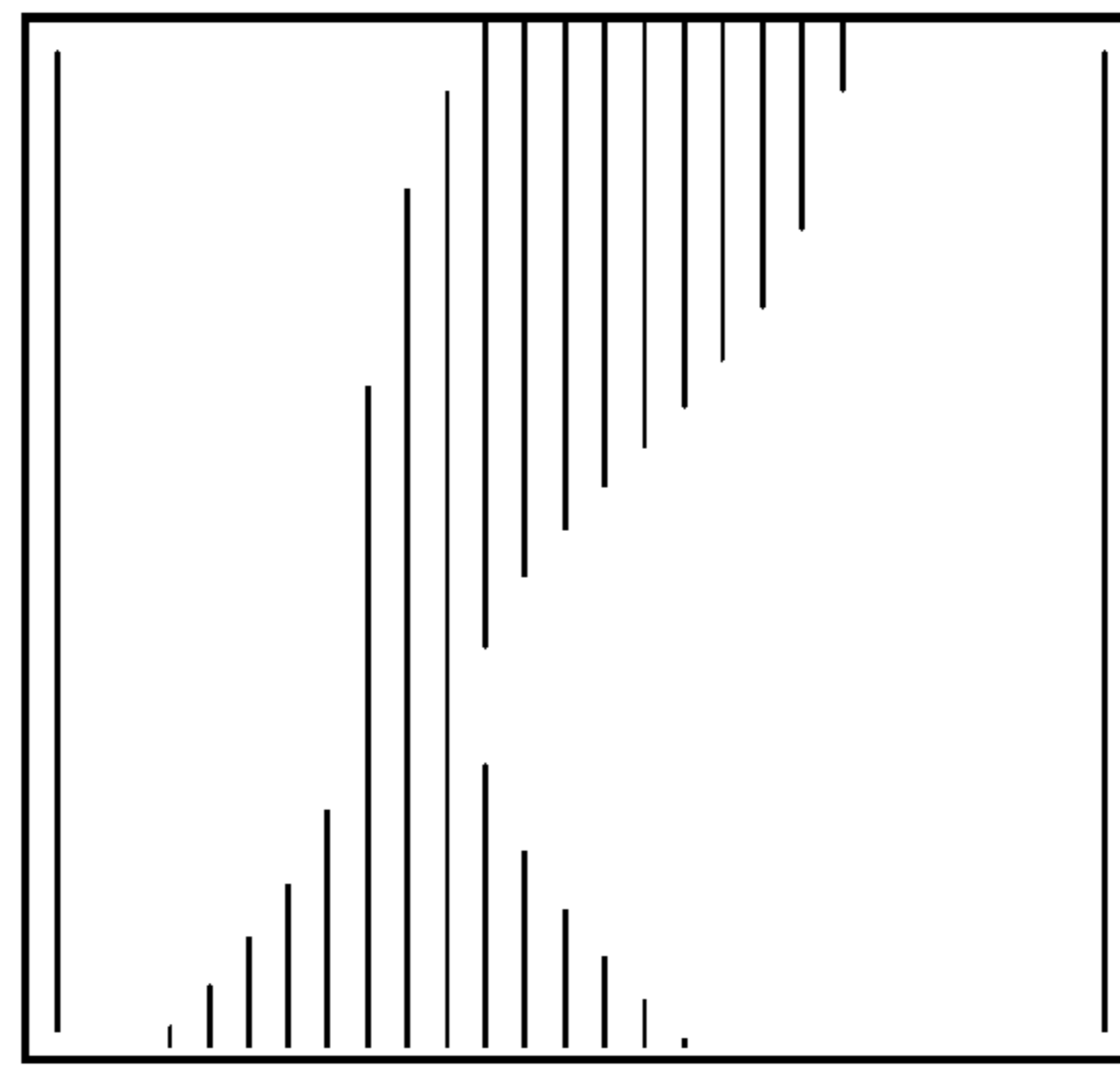


FIG. 16



FIG. 17

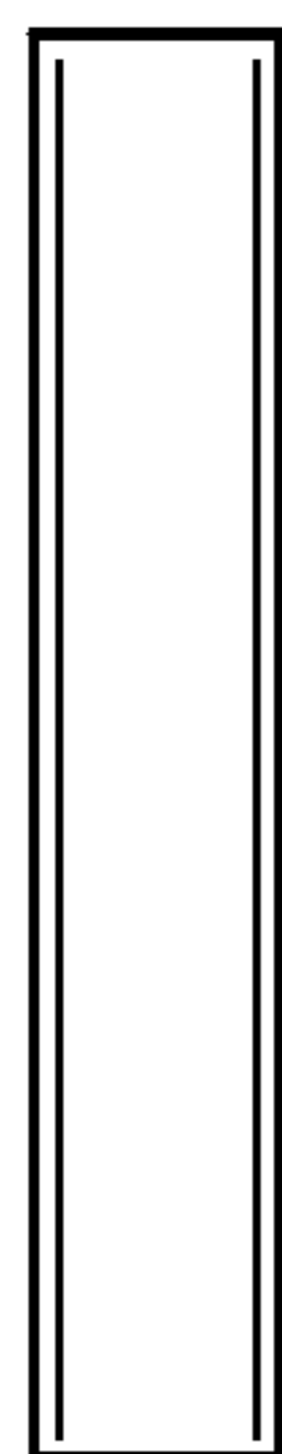


FIG. 18

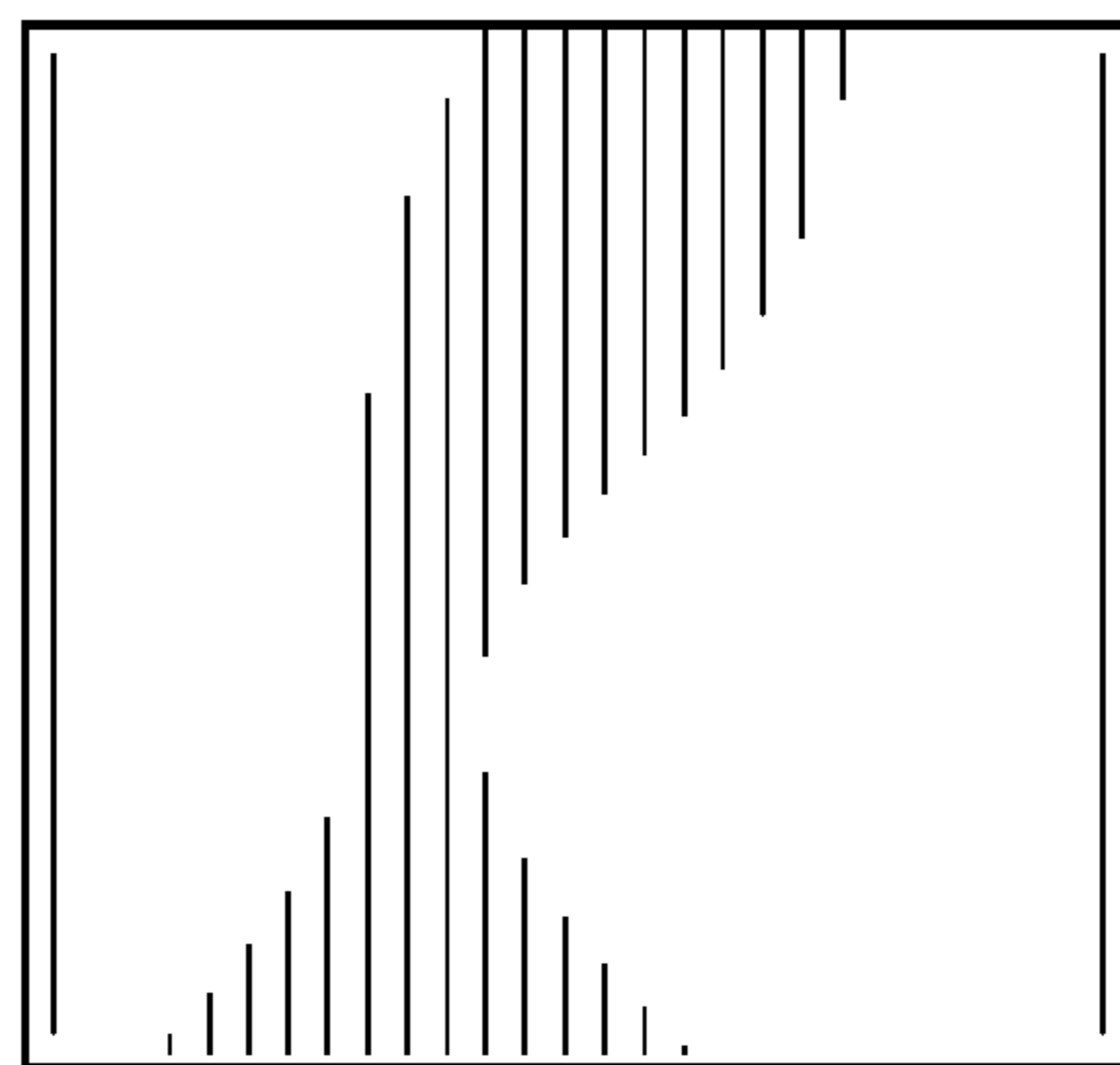


FIG. 19

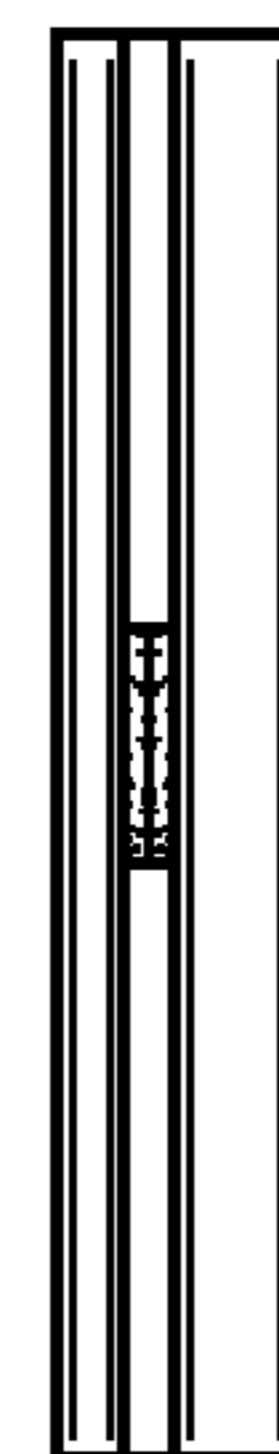


FIG. 20

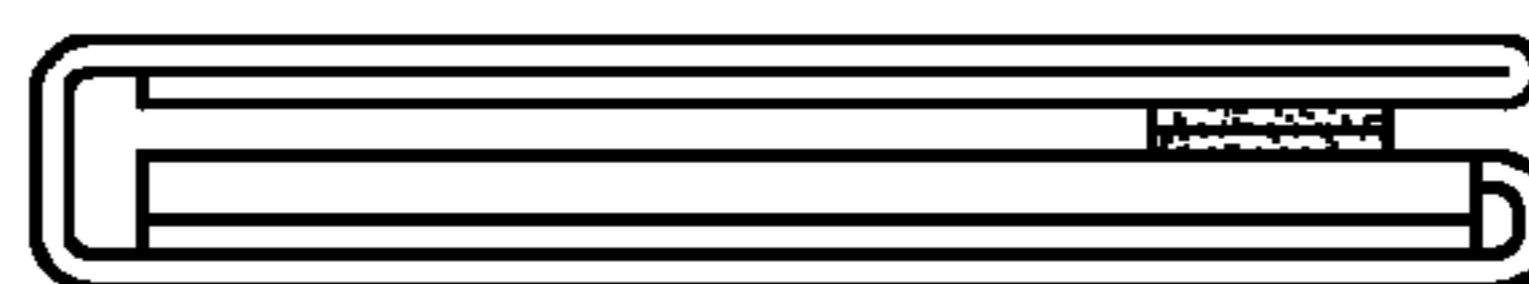


FIG. 21

UNITED STATES PATENT AND TRADEMARK OFFICE
CERTIFICATE OF CORRECTION

PATENT NO. : Des. 608,825 S
APPLICATION NO. : 29/338767
DATED : January 26, 2010
INVENTOR(S) : Brett R. Glass

Page 1 of 1

It is certified that error appears in the above-identified patent and that said Letters Patent is hereby corrected as shown below:

Title Page item 76

The Inventor's name is corrected to read Brett R. Glass, instead of Glass R. Brett.

Signed and Sealed this

Fourth Day of May, 2010

A handwritten signature in black ink that reads "David J. Kappos". The signature is written in a cursive, flowing style.

David J. Kappos
Director of the United States Patent and Trademark Office