



US00D608824S

(12) **United States Design Patent**
Matsuba et al.

(10) **Patent No.:** **US D608,824 S**
(45) **Date of Patent:** **** Jan. 26, 2010**

(54) **PRINT HEAD FOR AN INK JET PRINTER**

(75) Inventors: **Hiroyuki Matsuba**, Kadoma (JP);
Hiroaki Nakashima, Kadoma (JP)

(73) Assignee: **Panasonic Corporation**, Osaka (JP)

(**) Term: **14 Years**

(21) Appl. No.: **29/306,733**

(22) Filed: **Apr. 15, 2008**

(30) **Foreign Application Priority Data**

Jan. 9, 2008 (JP) 2008-000179

(51) **LOC (9) Cl.** **18-02**

(52) **U.S. Cl.** **D18/56**

(58) **Field of Classification Search** D18/14,
D18/18, 40, 43, 50, 56-59, 99; 347/7, 17,
347/20, 24, 29-32, 33, 36, 42, 50, 62, 85-87,
347/92-94; D9/417, 521, 533, 569, 573;
D17/481; 361/760; D13/182

See application file for complete search history.

(56) **References Cited**

U.S. PATENT DOCUMENTS

4,097,684	A	6/1978	Burr	
D279,670	S	7/1985	Lukits	
5,008,496	A	4/1991	Schmidt et al.	
5,023,753	A	6/1991	Abe	
D358,417	S *	5/1995	Medin et al.	D18/56
5,469,199	A *	11/1995	Allen et al.	347/42
5,841,074	A	11/1998	Egan et al.	
5,847,934	A	12/1998	Yasuda	
D429,704	S	8/2000	Kang	
D442,149	S	5/2001	Kang	
D442,567	S	5/2001	Kang	
D465,772	S	11/2002	Poulter et al.	
6,502,921	B2 *	1/2003	Kanda et al.	347/40
6,682,185	B2 *	1/2004	Hashimoto et al.	347/87
6,955,424	B2 *	10/2005	Silverbrook et al.	347/87
D514,618	S	2/2006	Nakamura et al.	
7,083,258	B2 *	8/2006	Silverbrook	347/42

D539,338	S *	3/2007	Hirota et al.	D18/56
D542,344	S *	5/2007	Duby et al.	D18/56
D552,048	S	10/2007	He	
D556,158	S	11/2007	Kong	
D557,332	S *	12/2007	Nakamura et al.	D18/56
D559,806	S	1/2008	Hosaka	
D569,418	S *	5/2008	Matsuba et al.	D18/56
7,566,111	B2 *	7/2009	Silverbrook et al.	347/47
2002/0131253	A1	9/2002	Kobayashi	
2003/0081058	A1 *	5/2003	McElfresh et al.	347/40
2004/0046834	A1 *	3/2004	Foote et al.	347/49
2007/0081311	A1	4/2007	Iwamiya et al.	
2007/0163866	A1	7/2007	Tsai	

* cited by examiner

Primary Examiner—Philip S Hyder

Assistant Examiner—Susan E Krakower

(74) *Attorney, Agent, or Firm*—Brinks Hofer Gilson & Lione

(57) **CLAIM**

We claim the ornamental design for a print head for an ink jet printer, as shown and described.

DESCRIPTION

FIG. 1 is a top perspective view of a print head for an ink jet printer of the present invention;

FIG. 2 is a front view thereof;

FIG. 3 is a rear view thereof;

FIG. 4 is a first side view thereof;

FIG. 5 is a second side view thereof;

FIG. 6 is a top view thereof; and,

FIG. 7 is a bottom view thereof.

The broken line showing of print head for an ink jet printer is included for the purpose of illustrating environment and forms no part of the claimed design. The unevenly broken lines in the drawings define the bounds of the claimed design.

In addition to the uneven broken line boundaries the even broken lines within the claimed portion form internal boundaries of the claim.

1 Claim, 6 Drawing Sheets

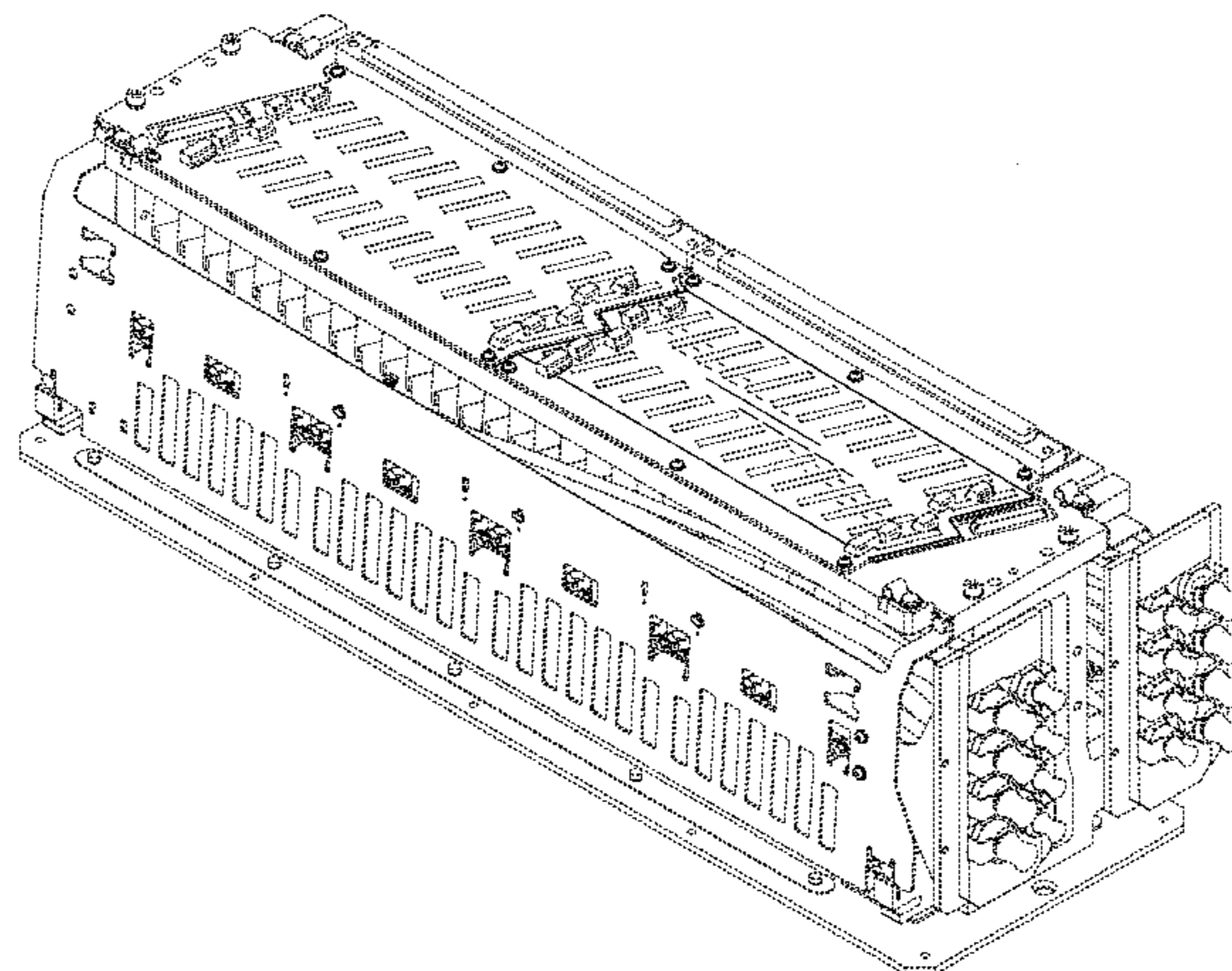


FIG.1

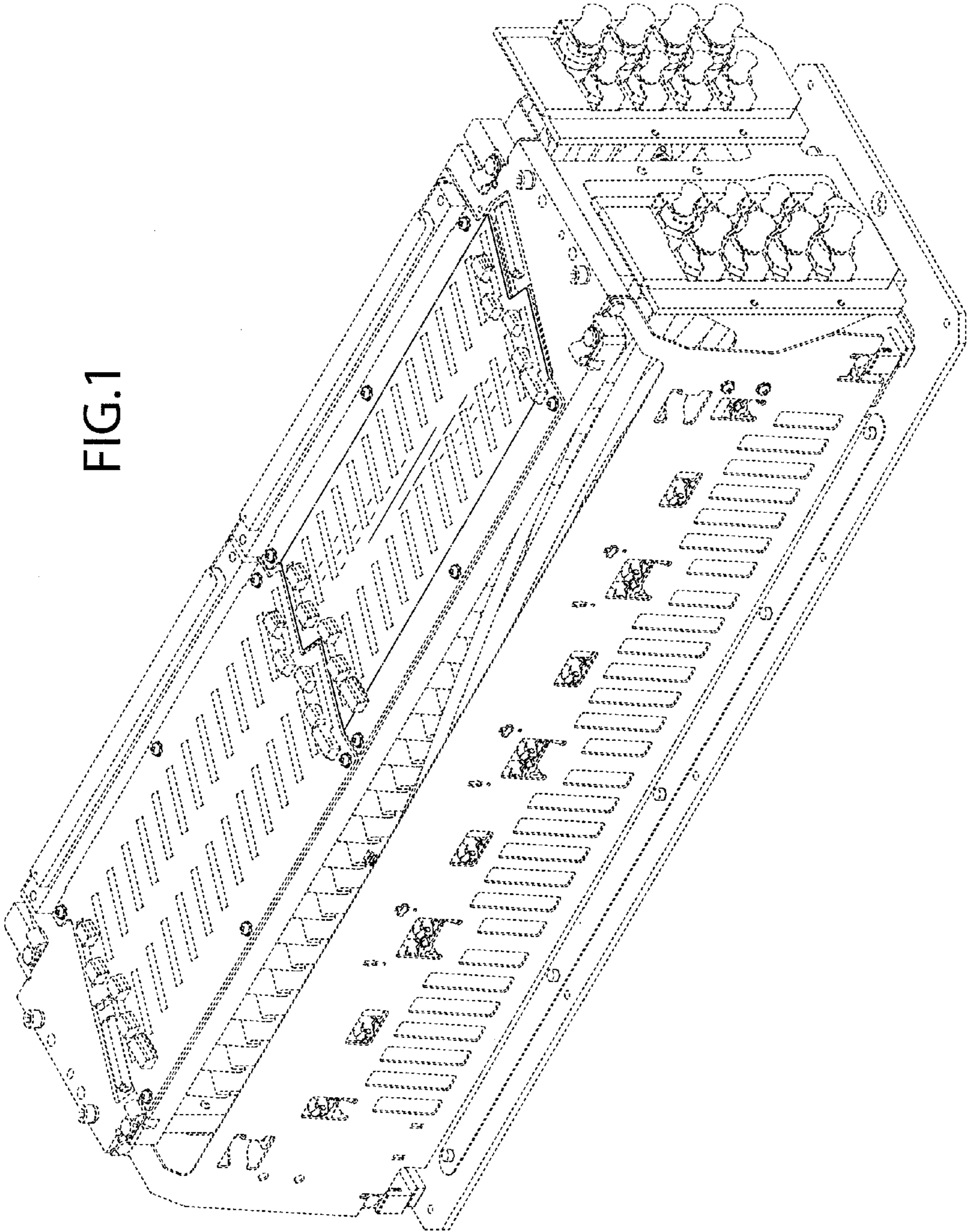


FIG.2

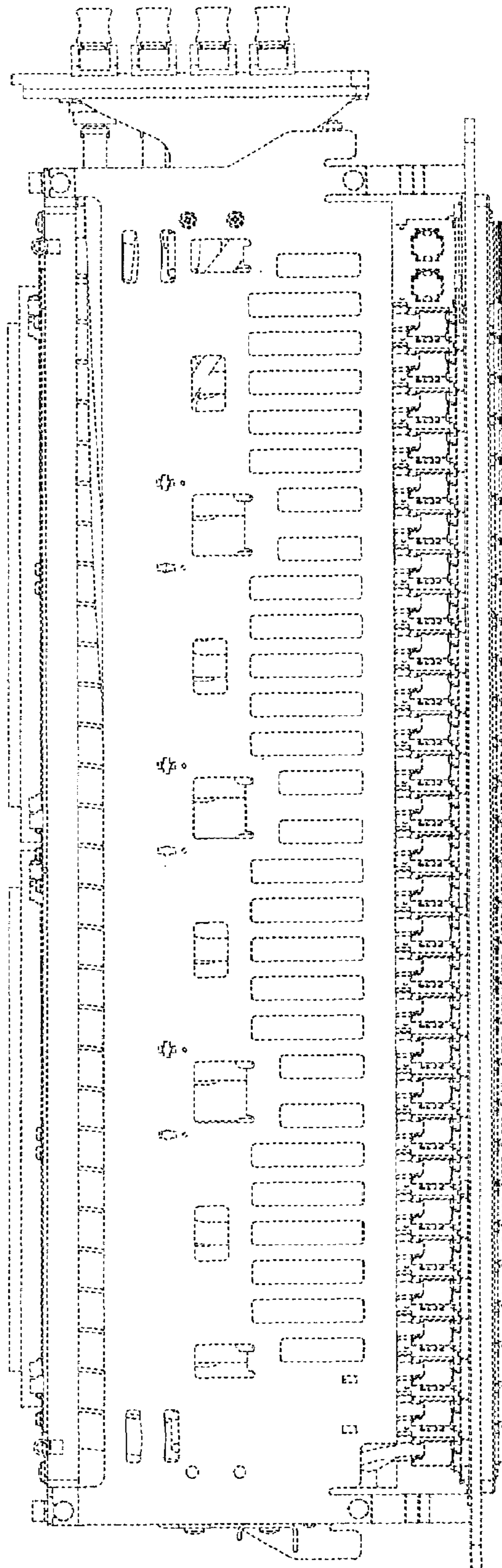


FIG.3

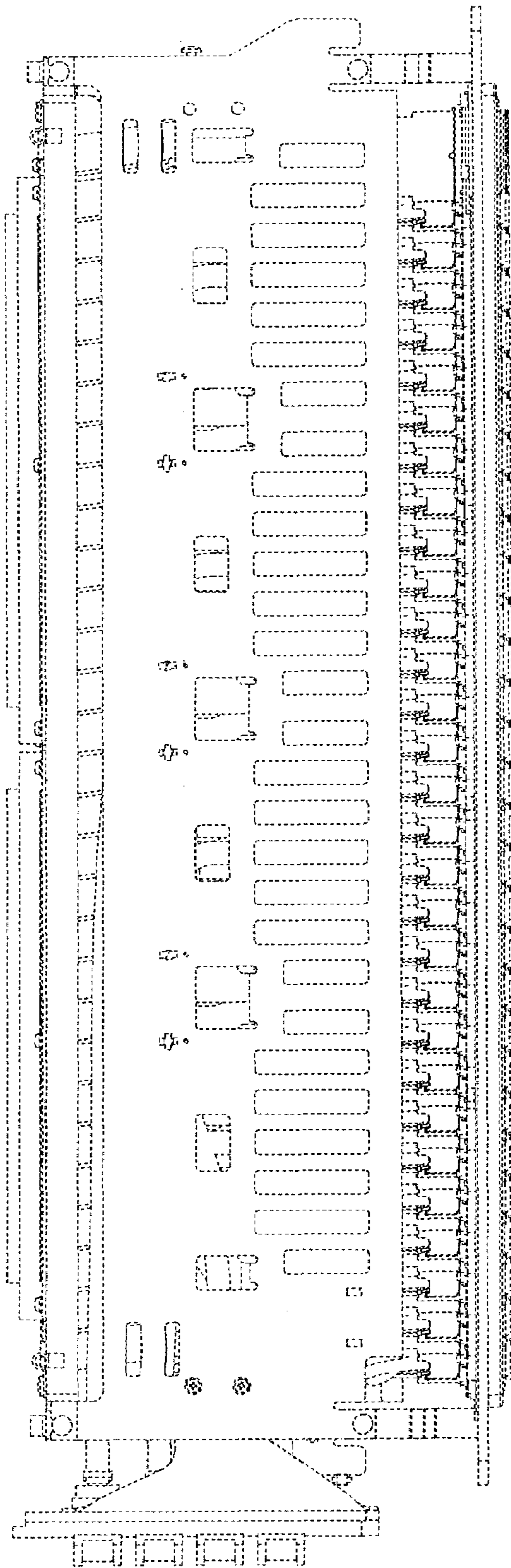


FIG.5

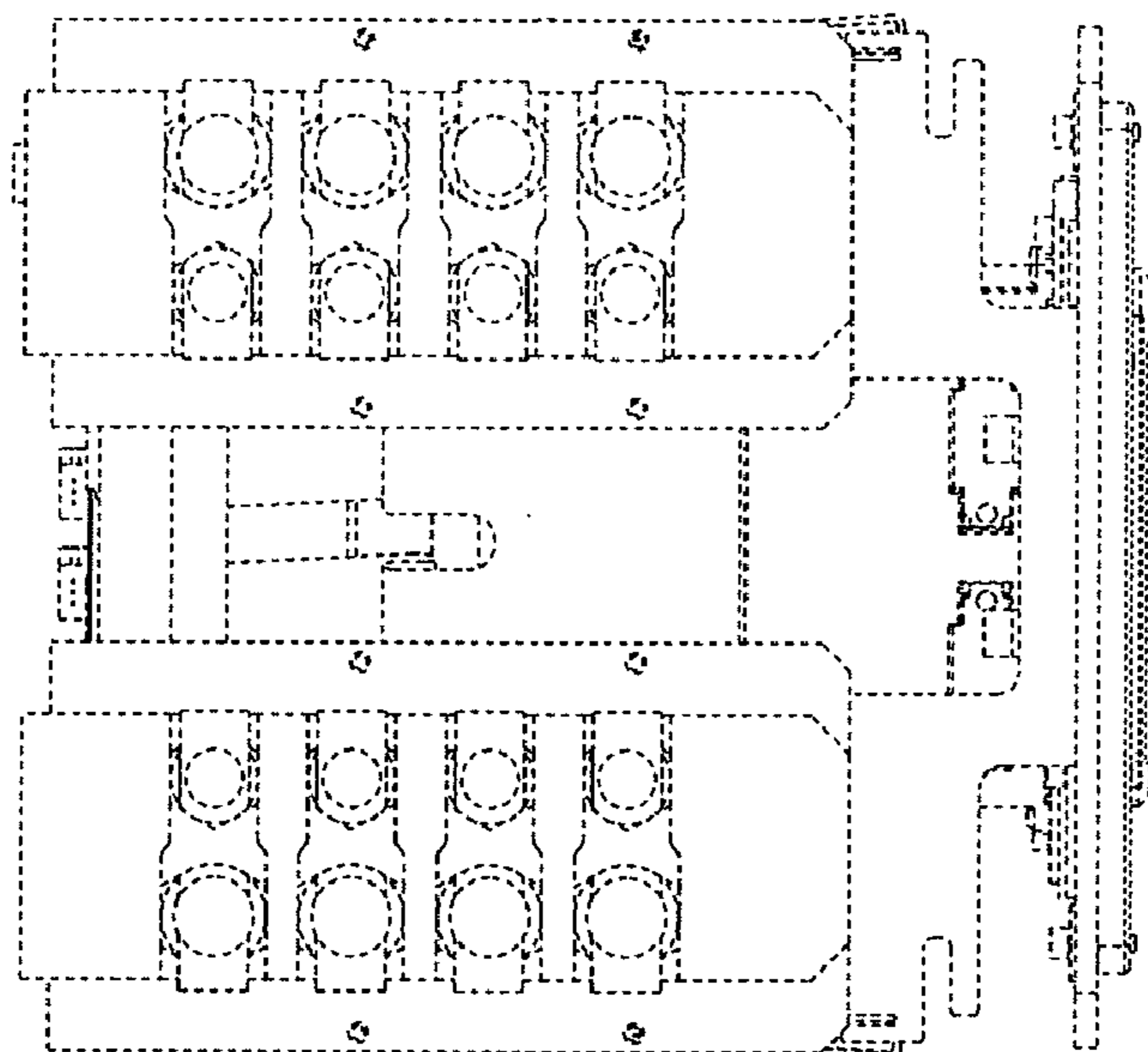


FIG.4

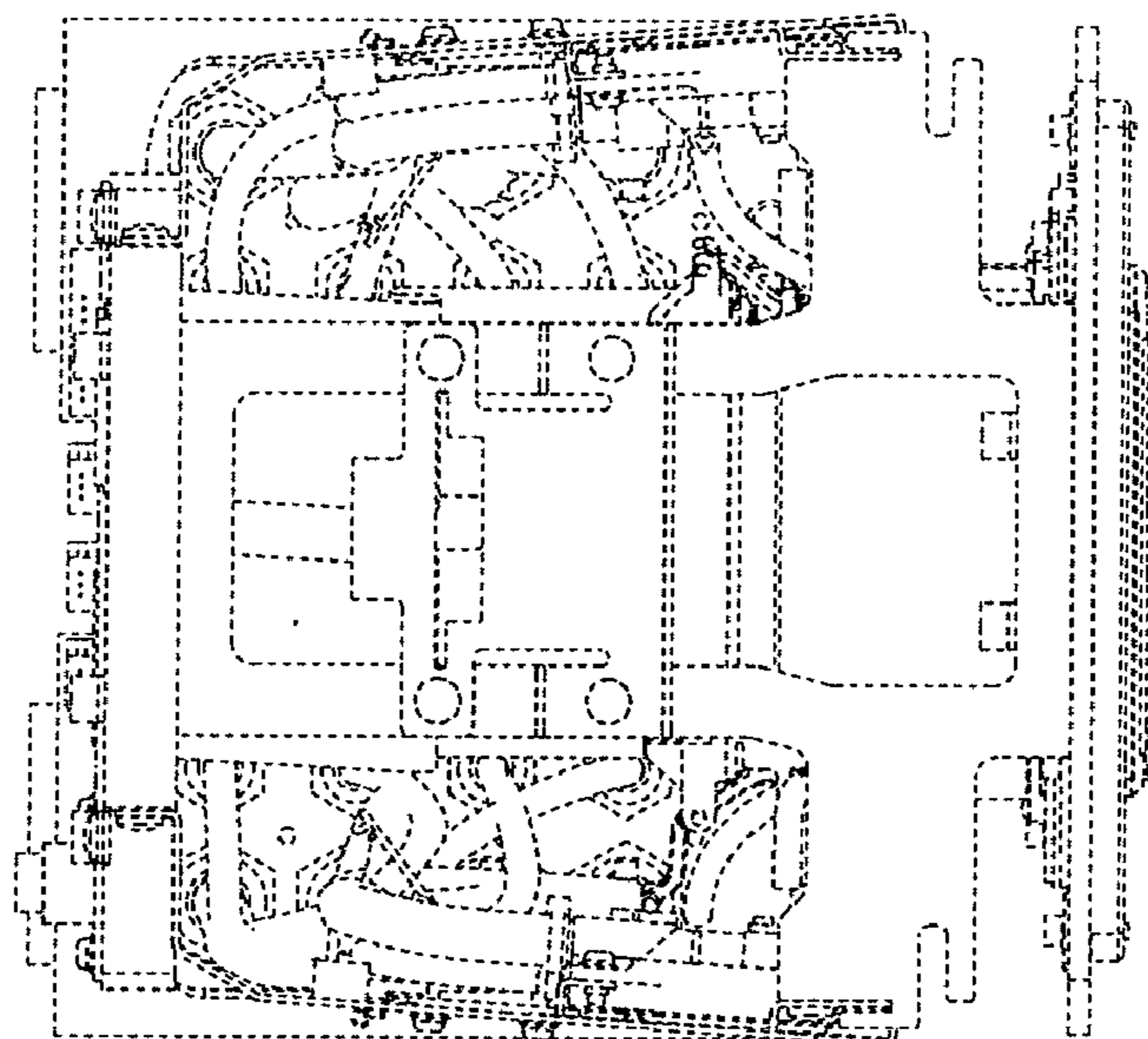


FIG.6

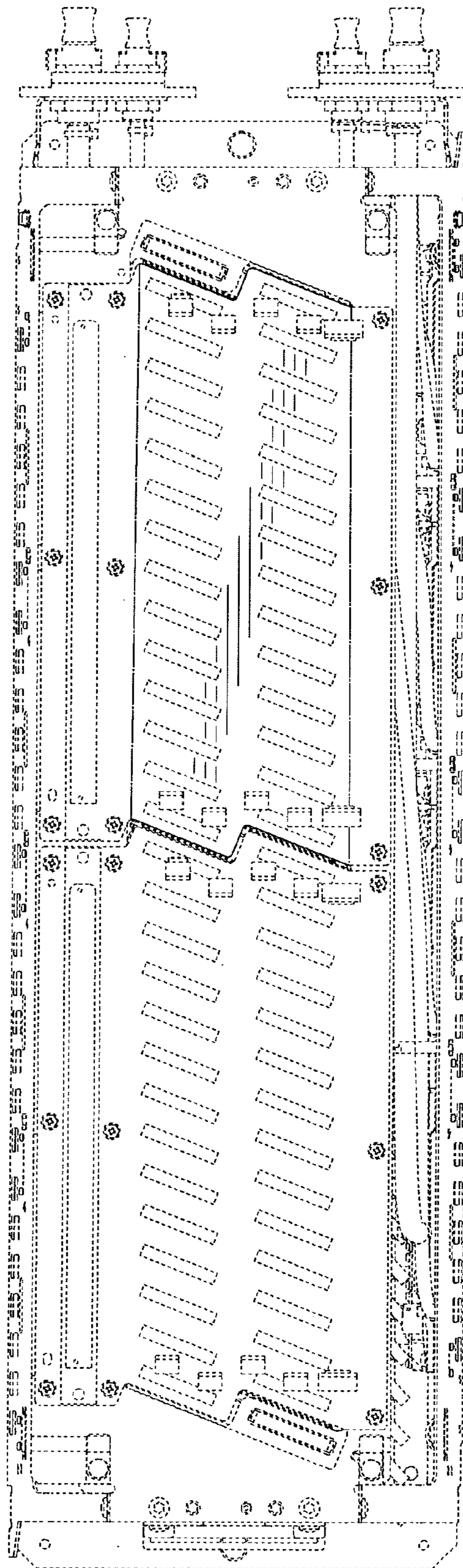


FIG.7

