



US00D608823S

(12) **United States Design Patent**
Tomono

(10) **Patent No.:** **US D608,823 S**
(45) **Date of Patent:** **** Jan. 26, 2010**

(54) **PRINTER**

(75) Inventor: **Satoshi Tomono**, Suginami-ku (JP)
(73) Assignee: **Konica Minolta Business Technologies, Inc.**, Chiyoda-Ku, Tokyo (JP)
(**) Term: **14 Years**
(21) Appl. No.: **29/325,434**
(22) Filed: **Oct. 1, 2008**

(30) **Foreign Application Priority Data**
Apr. 4, 2008 (JP) D2008-008739
(51) **LOC (9) Cl.** **14-02**
(52) **U.S. Cl.** **D18/55**
(58) **Field of Classification Search** D18/36-37,
D18/50, 54, 54.1, 55, 19; D14/420-425,
D14/463-470; 400/613, 613.1-613.4, 690.1-690.4,
400/691-694

See application file for complete search history.

(56) **References Cited**

U.S. PATENT DOCUMENTS

6,766,126	B2 *	7/2004	Hsu et al.	D18/41
D530,737	S *	10/2006	Lim et al.	D18/50
D532,043	S *	11/2006	Park et al.	D18/50
D545,357	S *	6/2007	Hattori et al.	D18/55
D551,700	S *	9/2007	Park et al.	D18/55
D561,251	S *	2/2008	Tjin Wong Joe et al.	D18/55
D573,633	S *	7/2008	Laidlaw et al.	D18/55
D579,973	S *	11/2008	Park et al.	D18/55
D581,976	S *	12/2008	Park et al.	D18/55
D586,385	S *	2/2009	Kim et al.	D18/55
D594,344	S *	6/2009	Walsh et al.	D9/560
2004/0217537	A1 *	11/2004	Ohama	271/3.14

FOREIGN PATENT DOCUMENTS

JP 1317321 12/2007

OTHER PUBLICATIONS

Jasper, Paul, "Konica Minolta Magicolor 5430 DL—Konica Minolta offers good-quality monochrome printing in the MagiColor 5430DL, but speed and color quality disappoint.", *PC World*, Jan. 12, 2005, http://www.digitalworldonline.com/reviews/product/24255/review/konica_minolta_magicolor-5430dl.html.
Jasper, Paul, "Konica Minolta Magicolor 5440DL—The MagiColor 5440DL holds plenty of paper and prints good text, but it came up short on speed and image printing.", *PC World*, Apr. 5, 2006, http://www.pcworld.com/reviews/product/28164/review/konica_minolta_magicolor_5440dl.html.
Huitink, Jasper, "Konica Minolta Magicolor 5450 printer wins Award.", *LetsGoDigital*, Dec. 29, 2005, http://www.letsgodigital.org/en/news/articles/story_5624.html.
"Konica Minolta Magicolor 5570—printer—color—laser," *Laser Printer Reviews by CNET*, http://reviews.cnet.com/laser-printers/konica-minolta-magicolor-5570/1805-3159_7-32310331.html.

* cited by examiner

Primary Examiner—Cathy Anne MacCormac
(74) *Attorney, Agent, or Firm*—Buchanan Ingersoll & Rooney PC

(57) **CLAIM**

The ornamental design for an printer, as shown.

DESCRIPTION

FIG. 1 is a perspective view of a printer showing my new design;
FIG. 2 is a front elevational view thereof;
FIG. 3 is a rear elevational view thereof;
FIG. 4 is a left side view thereof;
FIG. 5 is a right side view thereof;
FIG. 6 is a top plan view thereof; and,
FIG. 7 is a bottom plan view thereof.

1 Claim, 7 Drawing Sheets

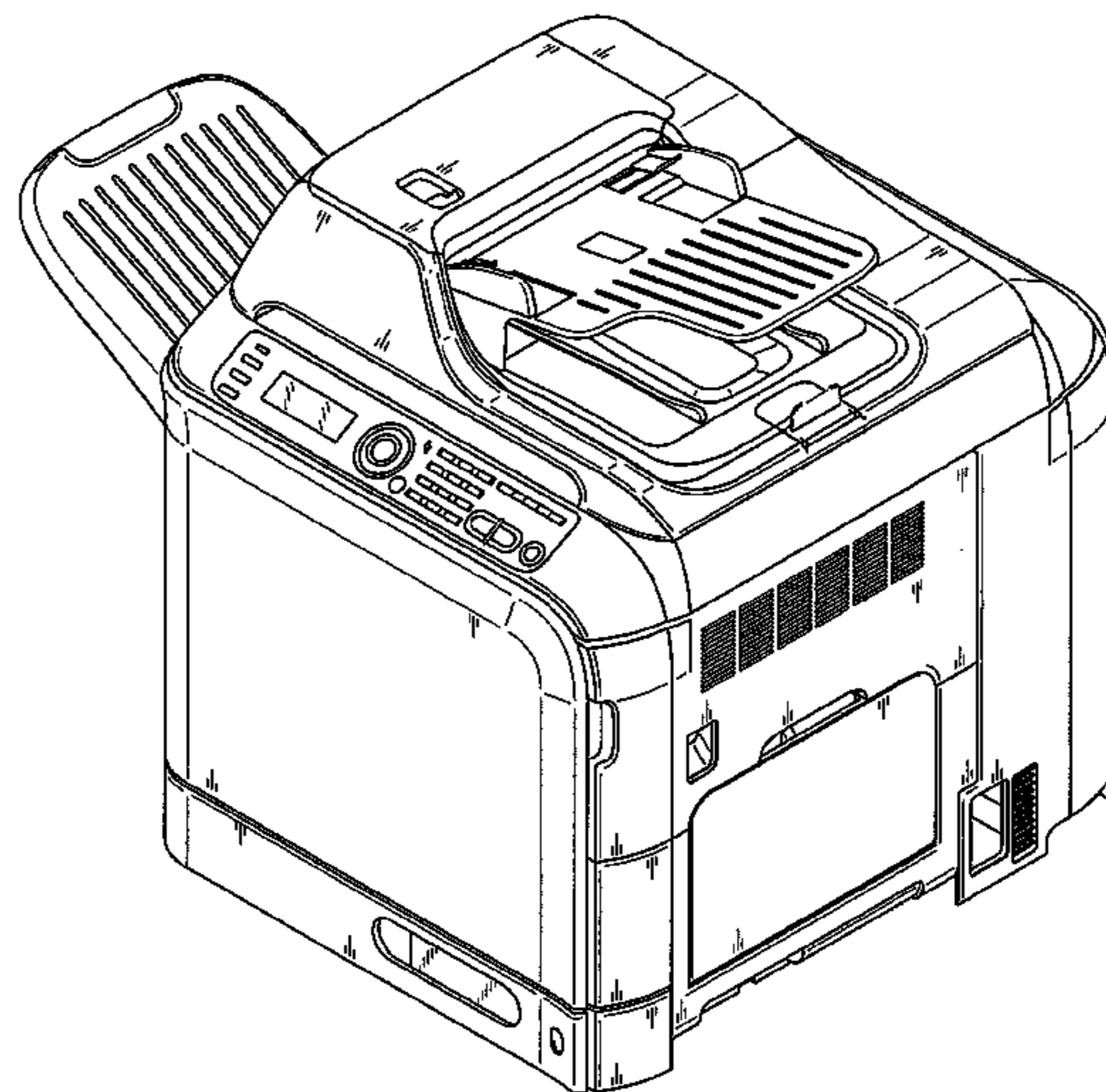


Fig. 1

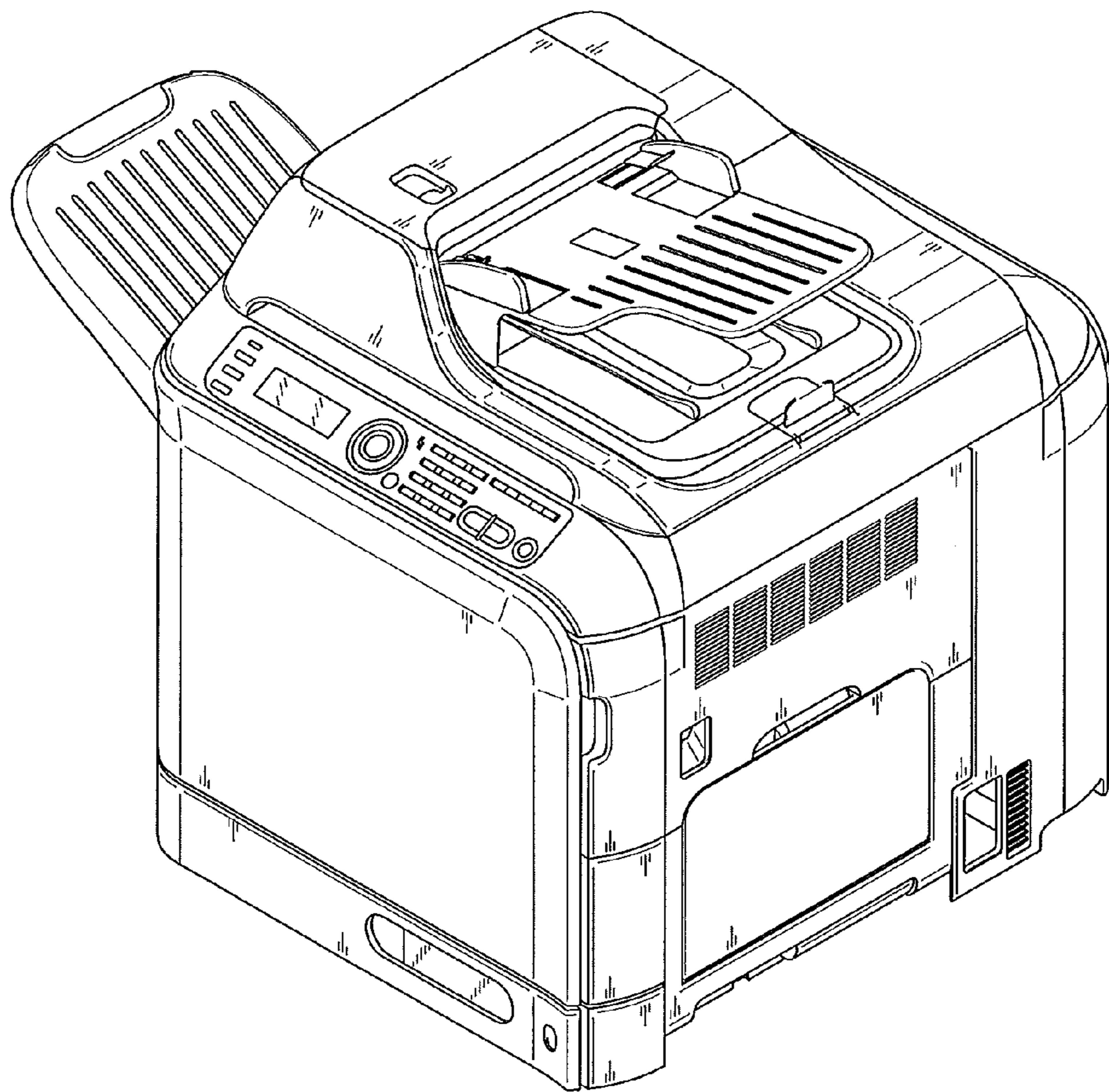


Fig. 2

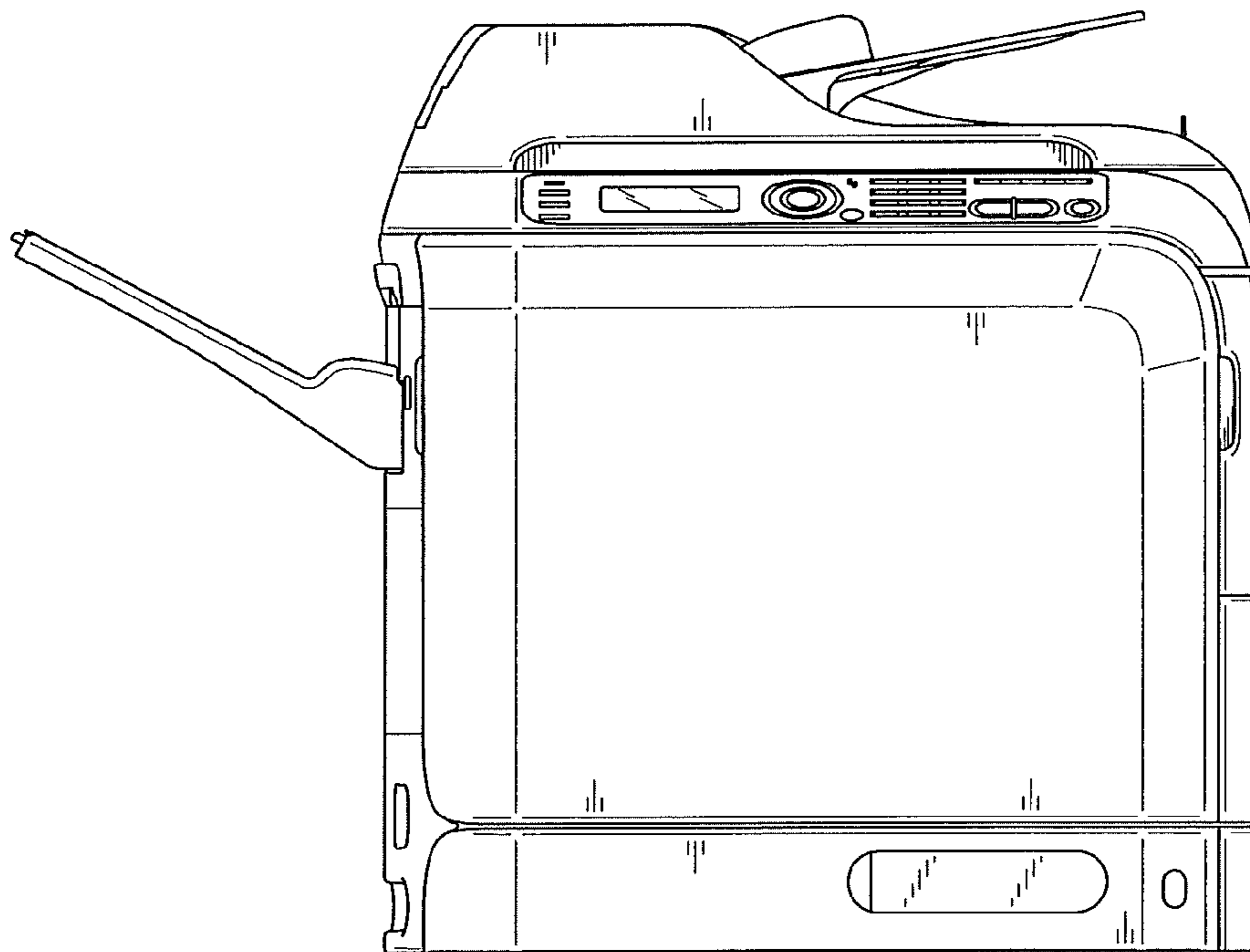


Fig. 3

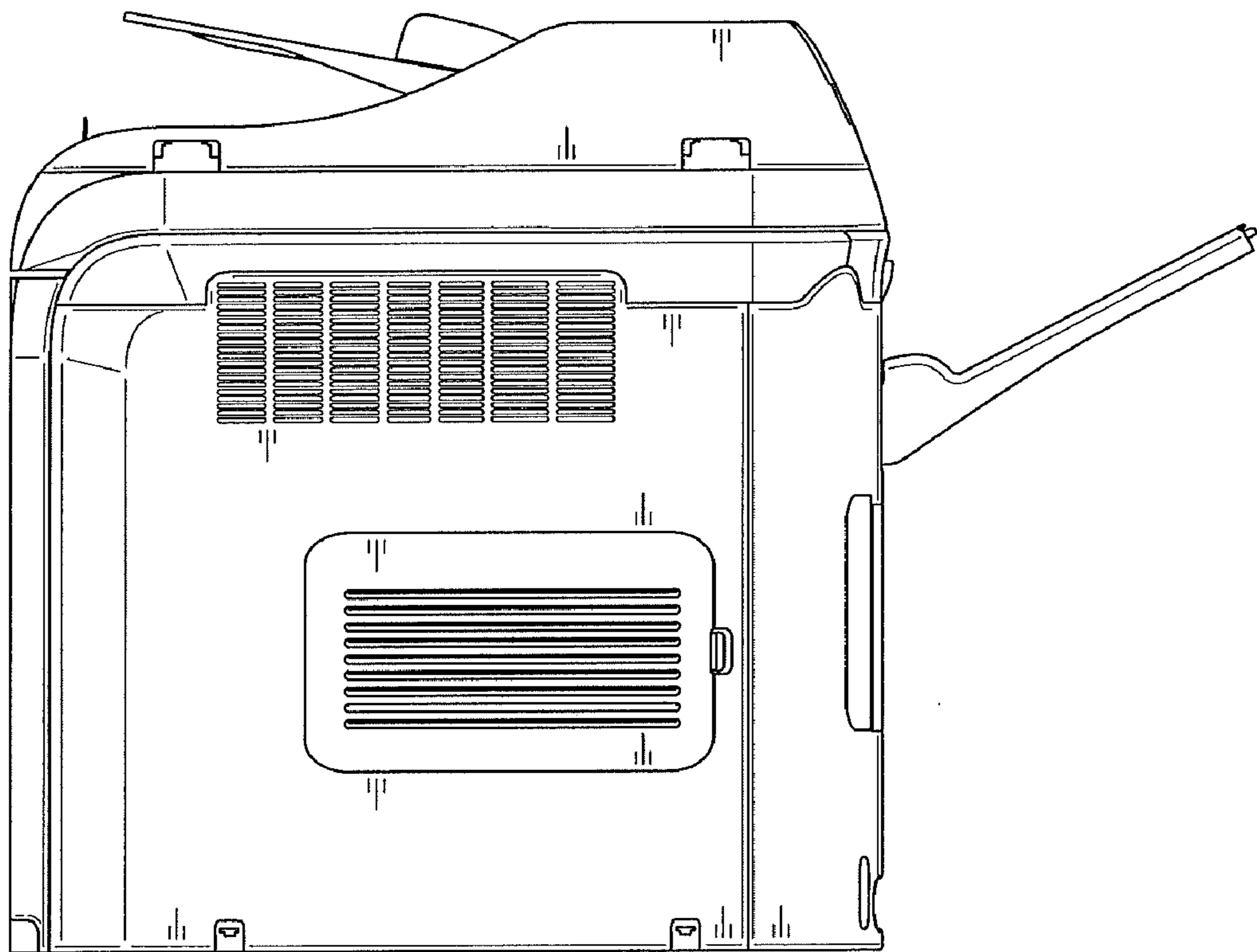


Fig. 4

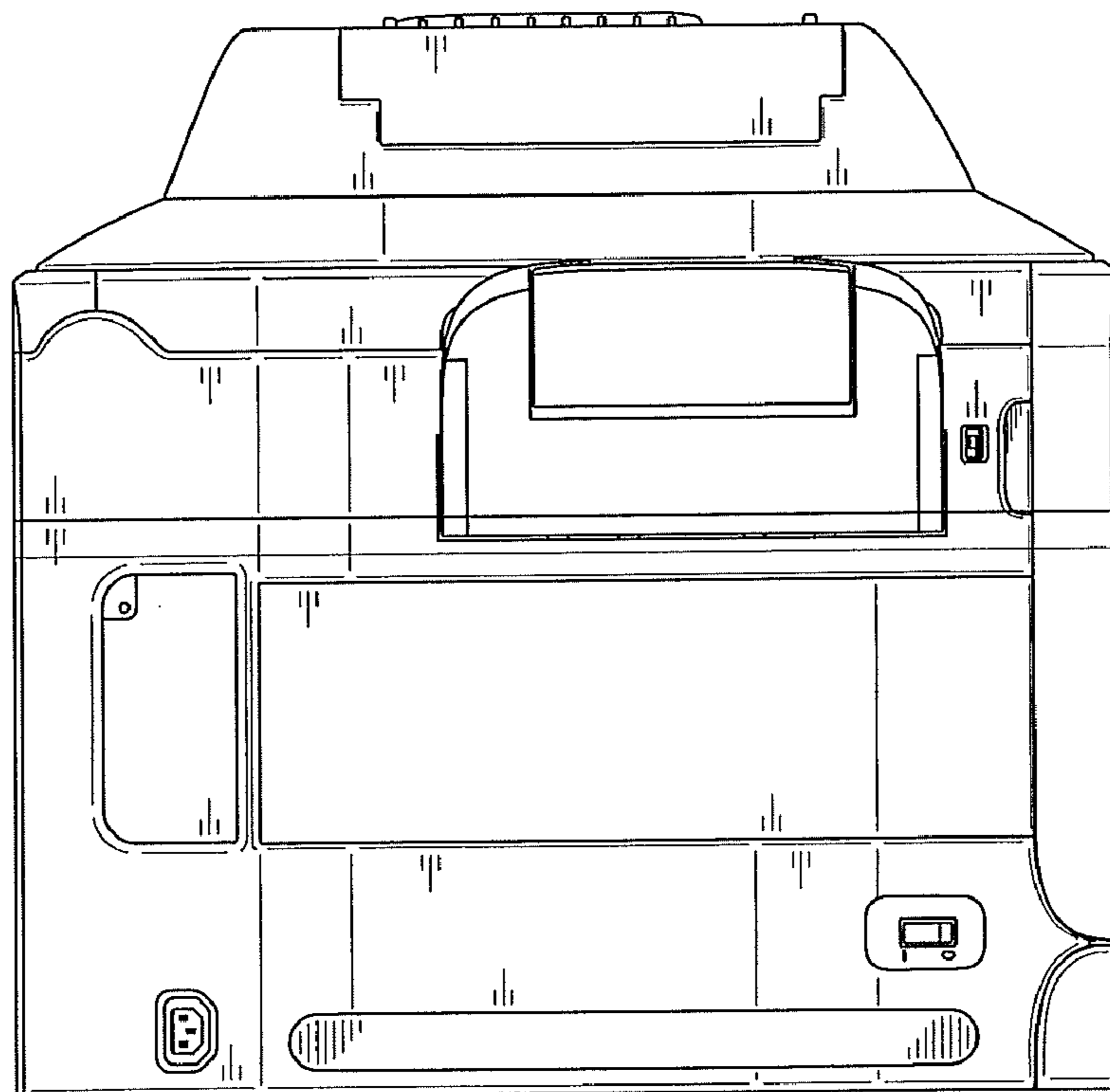


Fig. 5

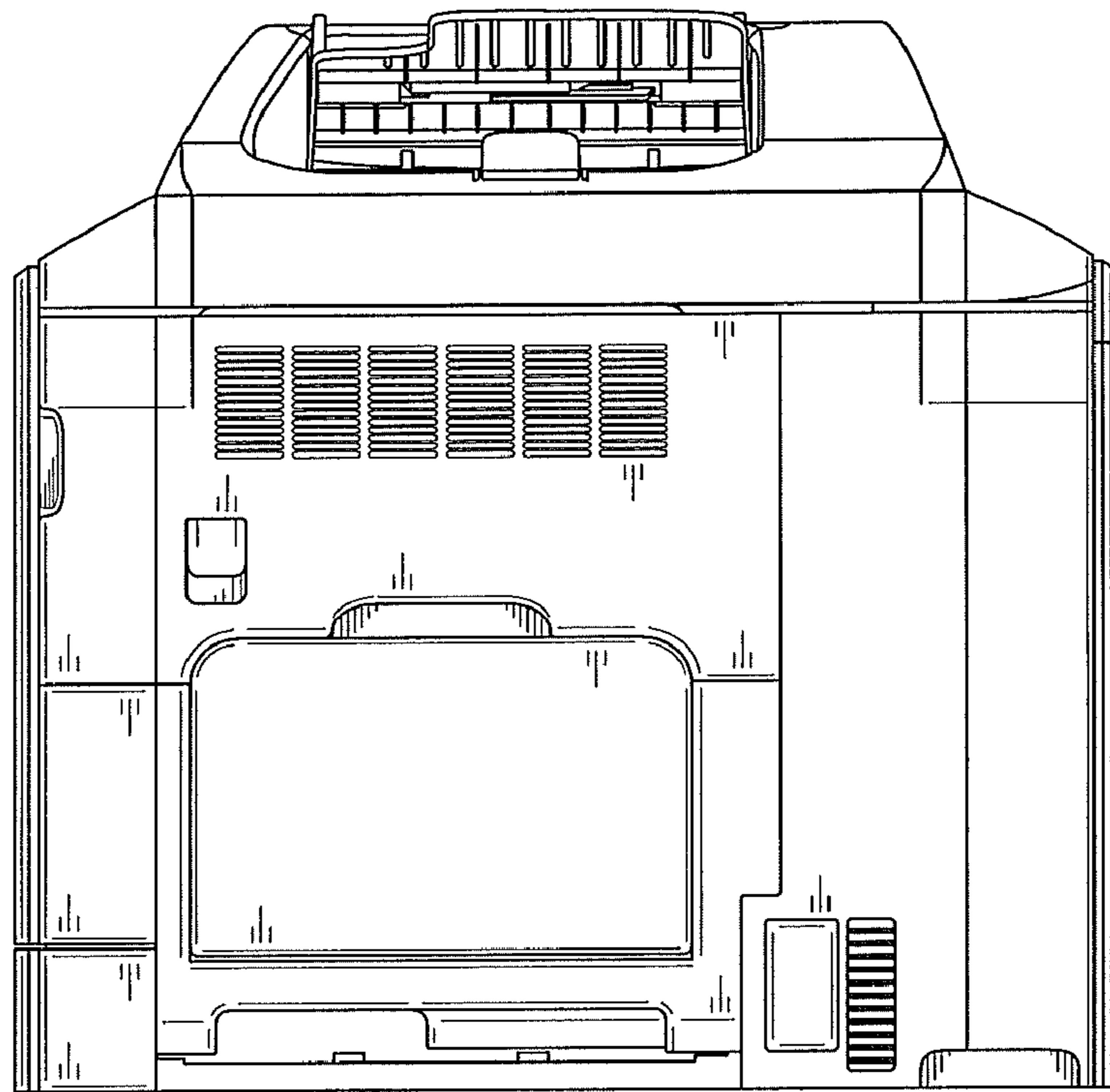


Fig. 6

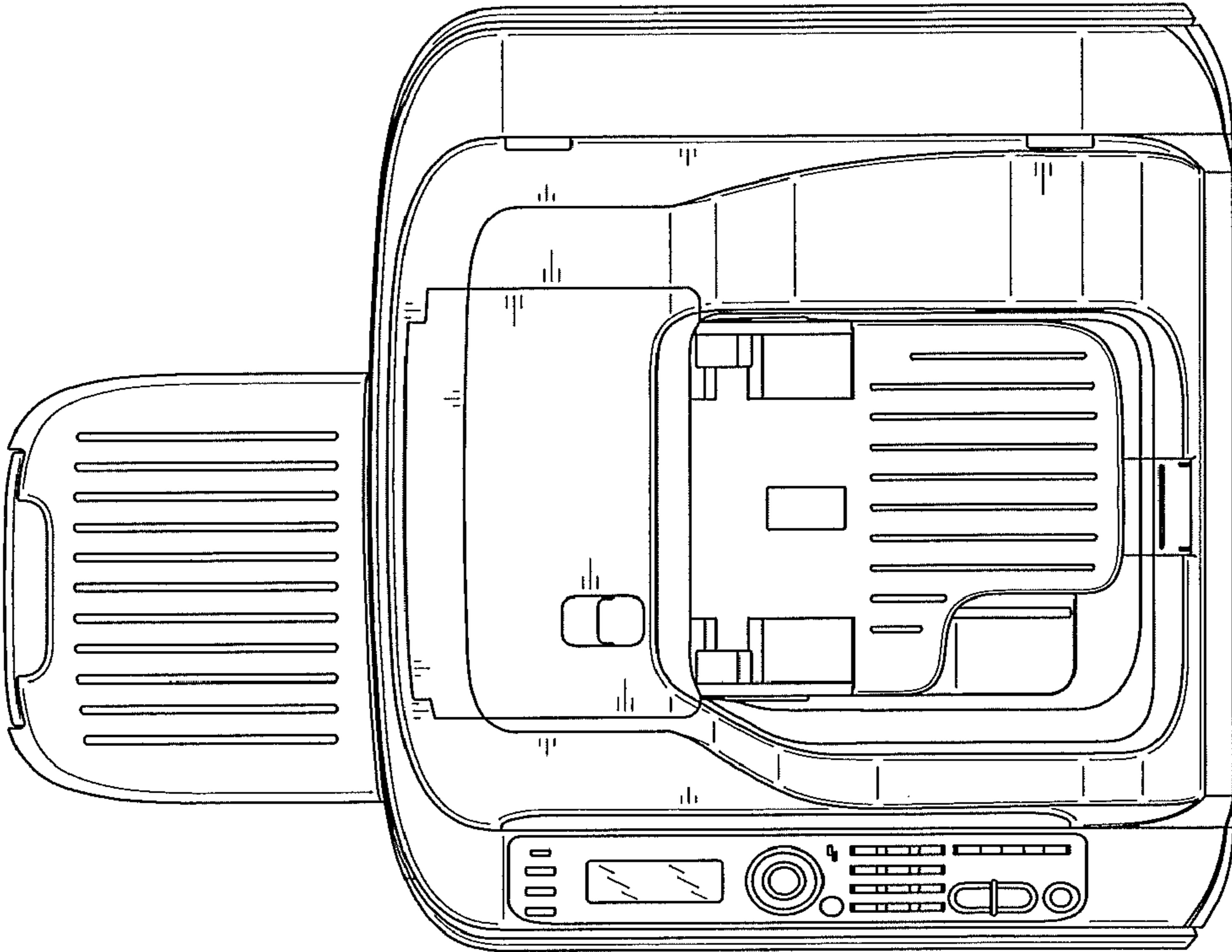


Fig. 7

