



US00D608821S

(12) **United States Design Patent**  
**Tomono et al.**

(10) **Patent No.:** **US D608,821 S**  
(45) **Date of Patent:** **\*\* Jan. 26, 2010**

(54) **PRINTER**

- (75) Inventors: **Satoshi Tomono**, Suginami-ku (JP);  
**Yuki Shibata**, Minato-ku (JP)
- (73) Assignee: **Konica Minolta Business Technologies, Inc.**, Chiyoda-Ku, Tokyo (JP)
- (\*\*) Term: **14 Years**
- (21) Appl. No.: **29/325,433**
- (22) Filed: **Oct. 1, 2008**

(30) **Foreign Application Priority Data**

Apr. 4, 2008 (JP) ..... D2008-008738

- (51) **LOC (9) Cl.** ..... **14-02**
- (52) **U.S. Cl.** ..... **D18/50**
- (58) **Field of Classification Search** ..... D18/36-37,  
D18/50, 54, 54.1, 55, 19; D14/420-425,  
D14/463-470; 400/613, 613.1-613.4, 690.1-690.4,  
400/691-694

See application file for complete search history.

(56) **References Cited**

**U.S. PATENT DOCUMENTS**

D404,418	S	*	1/1999	Takeuchi	.....	D18/39
D521,061	S	*	5/2006	Katayama et al.	.....	D18/55
D528,594	S	*	9/2006	Terenzio et al.	.....	D18/50
D552,167	S	*	10/2007	Lee et al.	.....	D18/50
D561,248	S	*	2/2008	Lee et al.	.....	D18/50
D584,347	S	*	1/2009	Hong et al.	.....	D18/55
D589,083	S	*	3/2009	Suzuki et al.	.....	D18/36
D593,149	S	*	5/2009	Park et al.	.....	D18/55

**FOREIGN PATENT DOCUMENTS**

JP 1317321 12/2007

**OTHER PUBLICATIONS**

Jasper, Paul, "Konica Minolta Magicolor 5430 DL—Konica Minolta offers good-quality monochrome printing in the MagiColor 5430DL, but speed and color quality disappoint.", *PC World*, Jan. 12, 2005, [http://www.digitalworldonline.com/reviews/product/24255/review/konica\\_minolta\\_magicolor-5430dl.html](http://www.digitalworldonline.com/reviews/product/24255/review/konica_minolta_magicolor-5430dl.html).

Jasper, Paul, "Konica Minolta Magicolor 5440DL—The MagiColor 5440DL holds plenty of paper and prints good text, but it came up short on speed and image printing.", *PC World*, Apr. 5, 2006, [http://www.pcworld.com/reviews/product/28164/review/konica\\_minolta\\_magicolor\\_5440dl.html](http://www.pcworld.com/reviews/product/28164/review/konica_minolta_magicolor_5440dl.html).

Huitink, Jasper, "Konica Minolta Magicolor 5450 printer wins Award.", *LetsGoDigital*, Dec. 29, 2005, [http://www.letsgodigital.org/en/news/articles/story\\_5624.html](http://www.letsgodigital.org/en/news/articles/story_5624.html).

"Konica Minolta Magicolor 5570—printer—color—laser," *Laser Printer Reviews by CNET*, [http://reviews.cnet.com/laser-printers/konica-minolta-magicolor-5570/1805-3159\\_7-32310331.html](http://reviews.cnet.com/laser-printers/konica-minolta-magicolor-5570/1805-3159_7-32310331.html).

\* cited by examiner

*Primary Examiner*—Cathy Anne MacCormac

(74) *Attorney, Agent, or Firm*—Buchanan Ingersoll & Rooney PC

(57) **CLAIM**

The ornamental design for an printer, as shown.

**DESCRIPTION**

FIG. 1 is a front perspective view of a printer showing my new design;

FIG. 2 is a rear perspective view thereof;

FIG. 3 is a front elevational view thereof;

FIG. 4 is a left side view thereof;

FIG. 5 is a left side view thereof;

FIG. 6 is a right side view thereof;

FIG. 7 is a top plan view thereof; and,

FIG. 8 is a bottom plan view thereof.

**1 Claim, 8 Drawing Sheets**

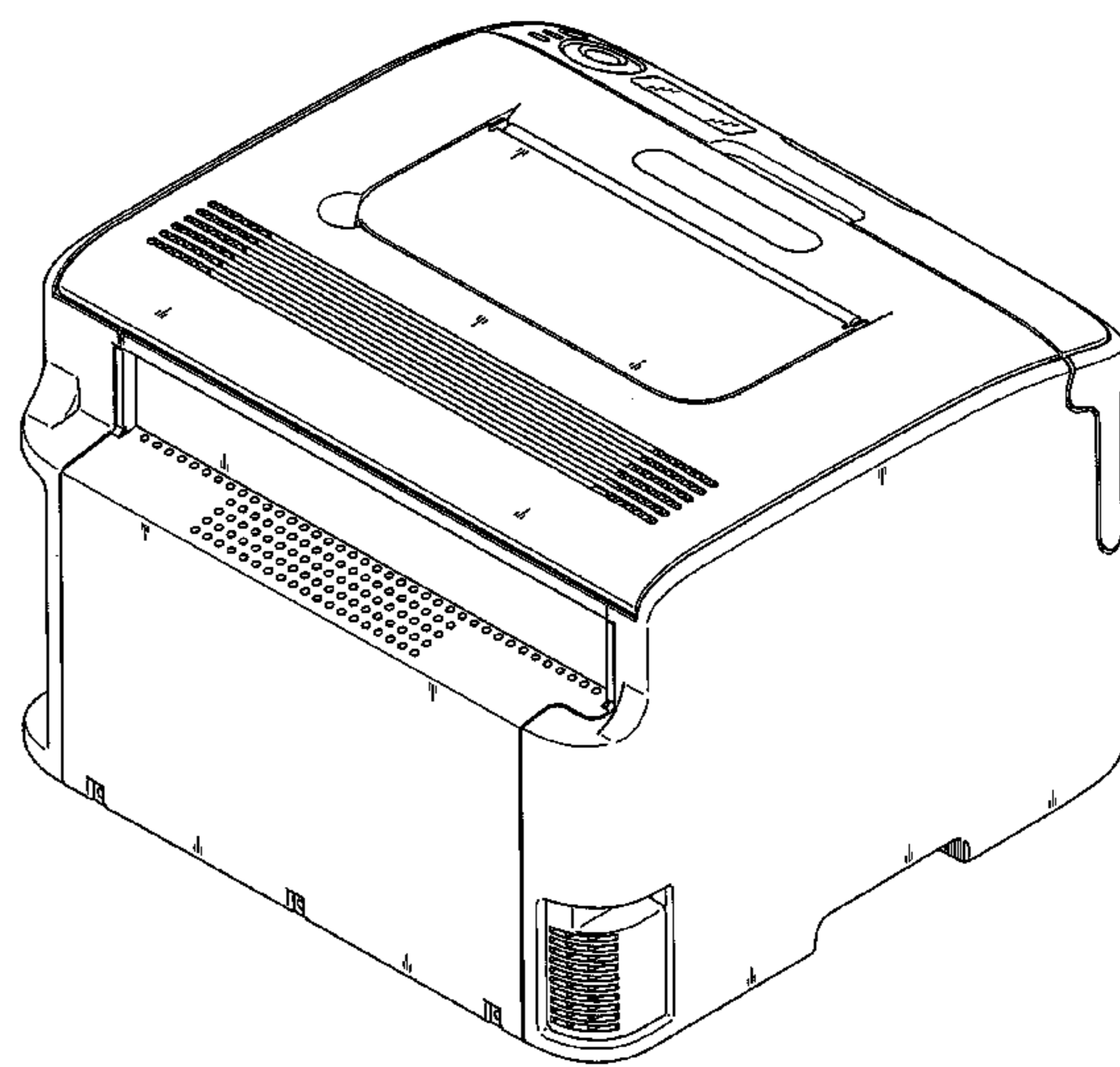
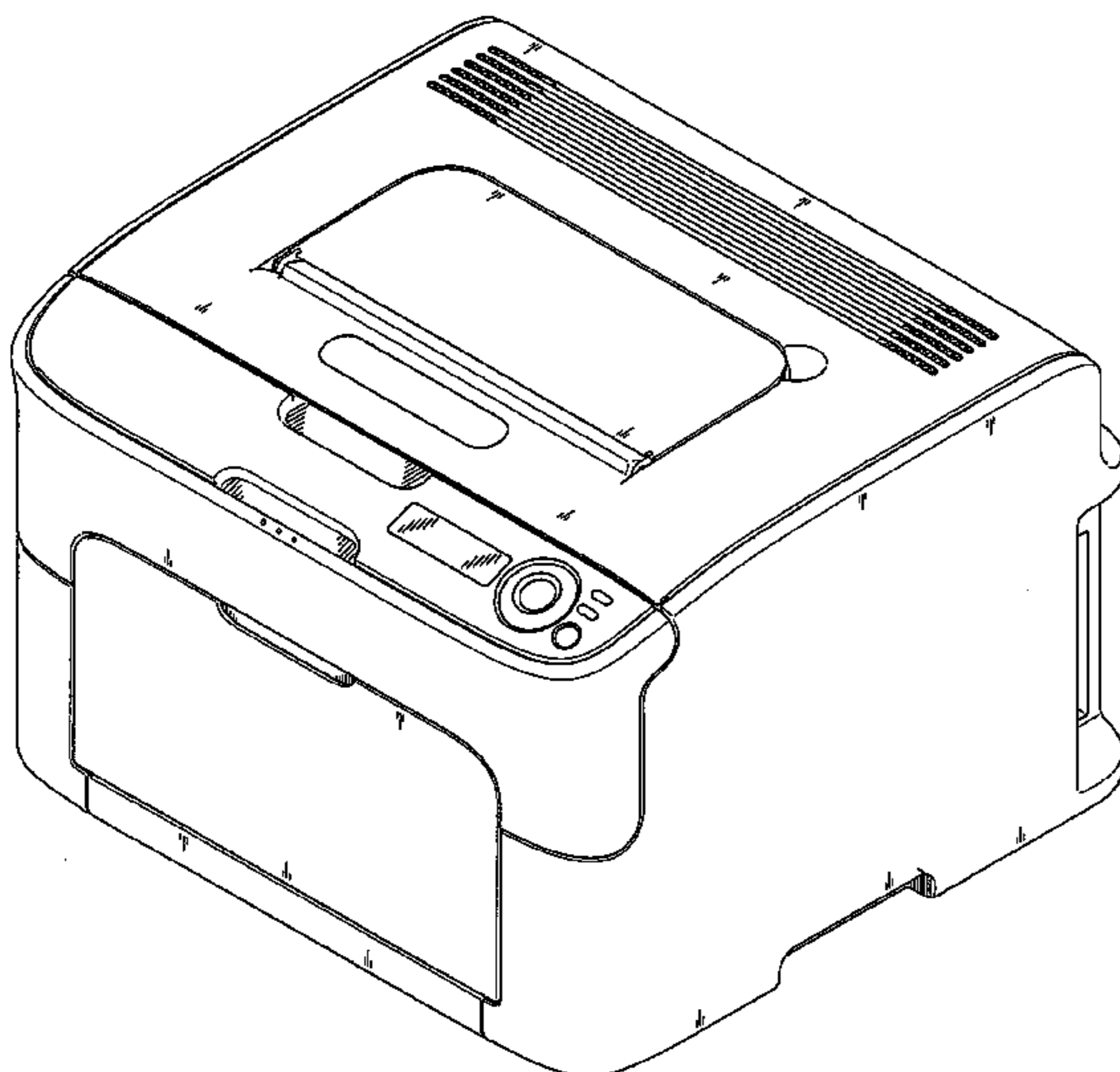


Fig. 1

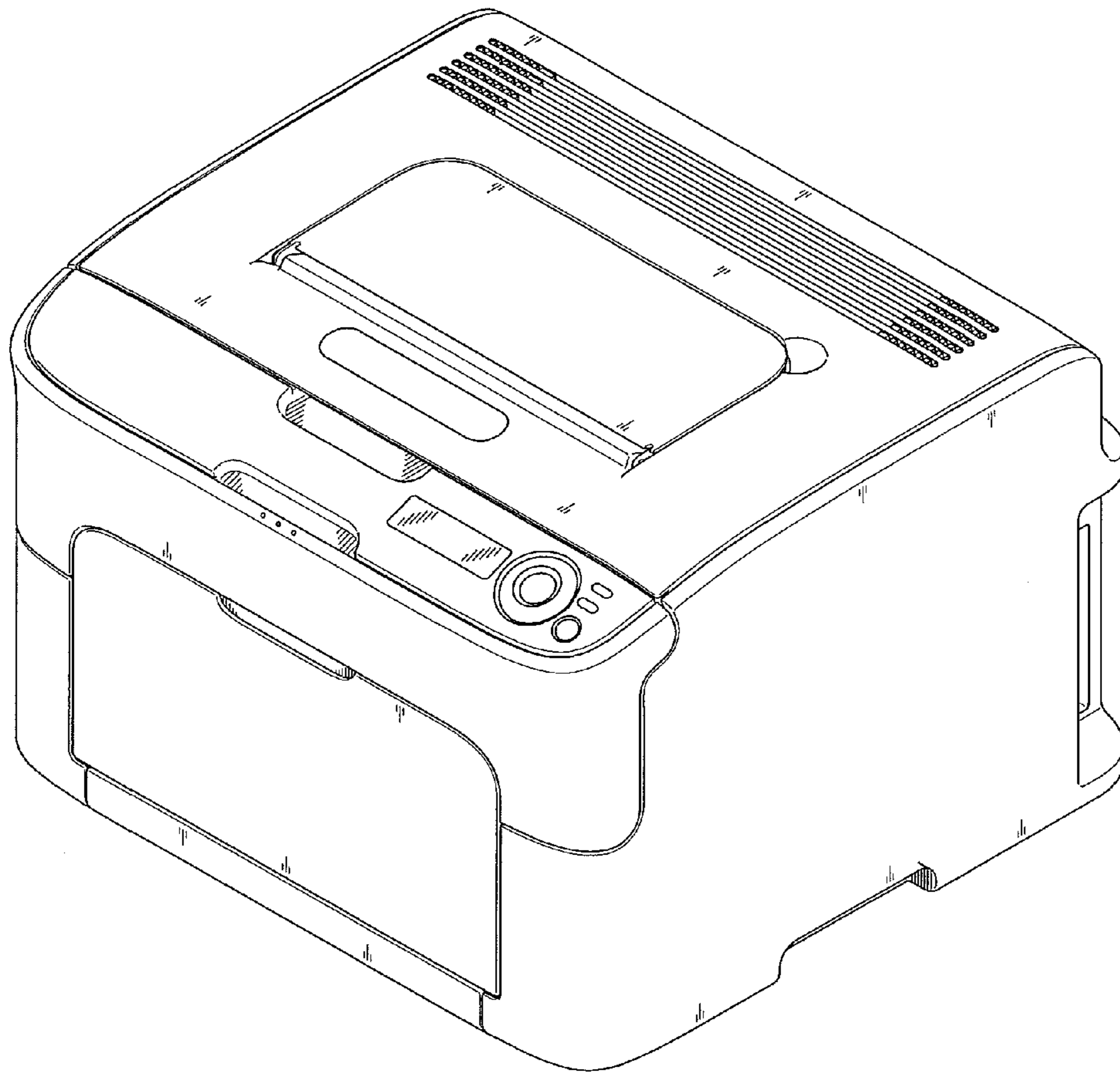


Fig. 2

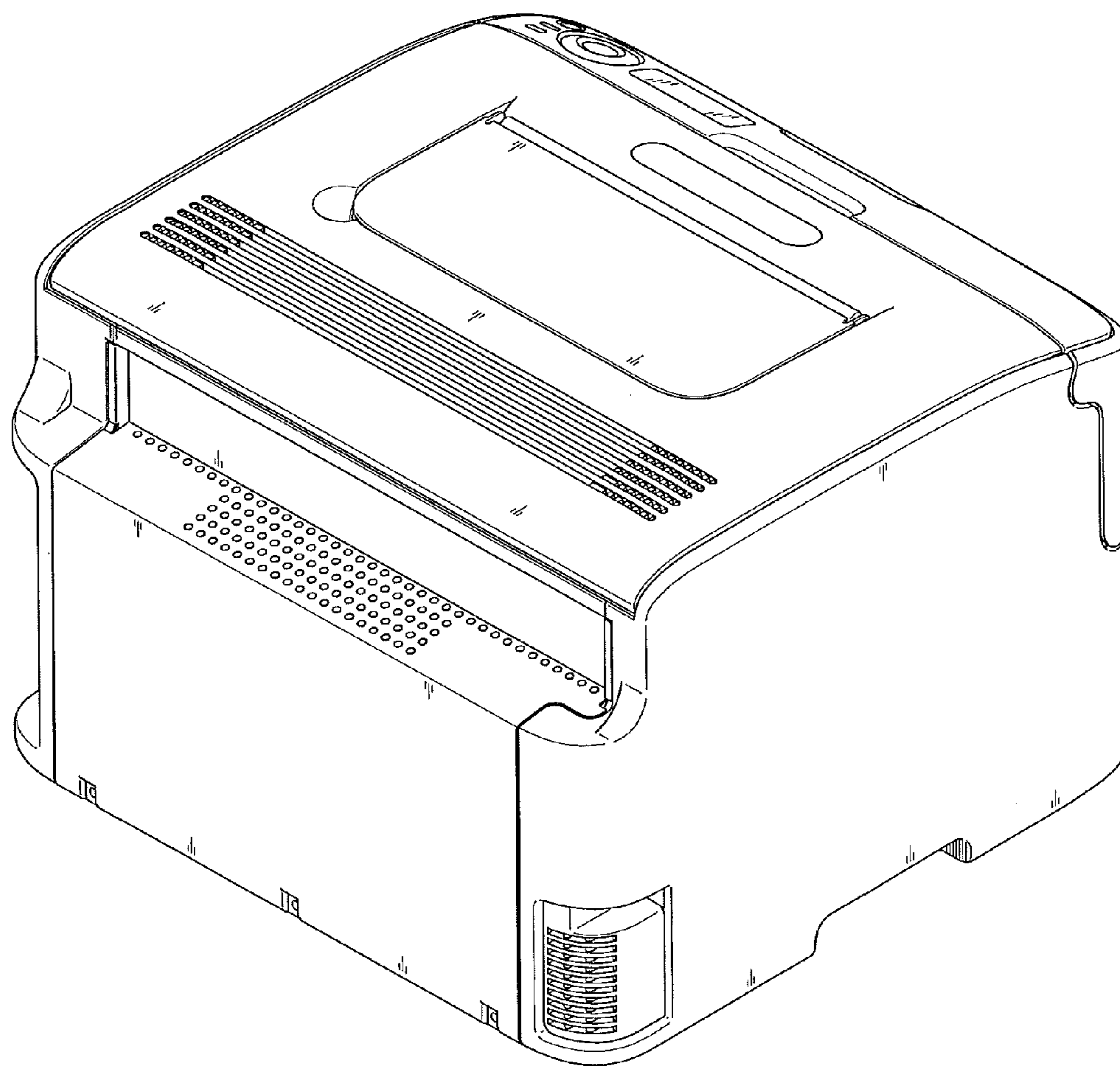


Fig. 3

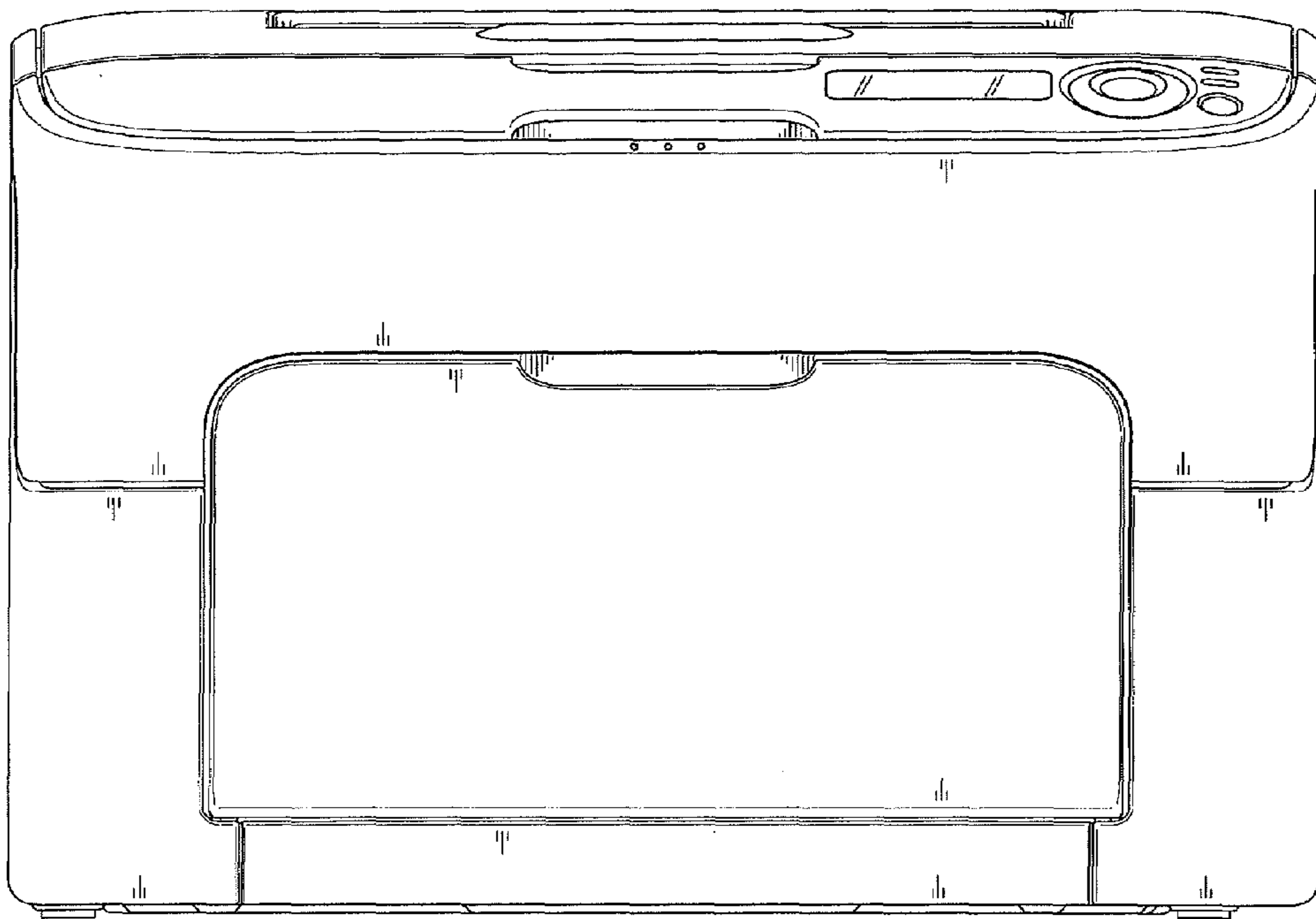


Fig. 4

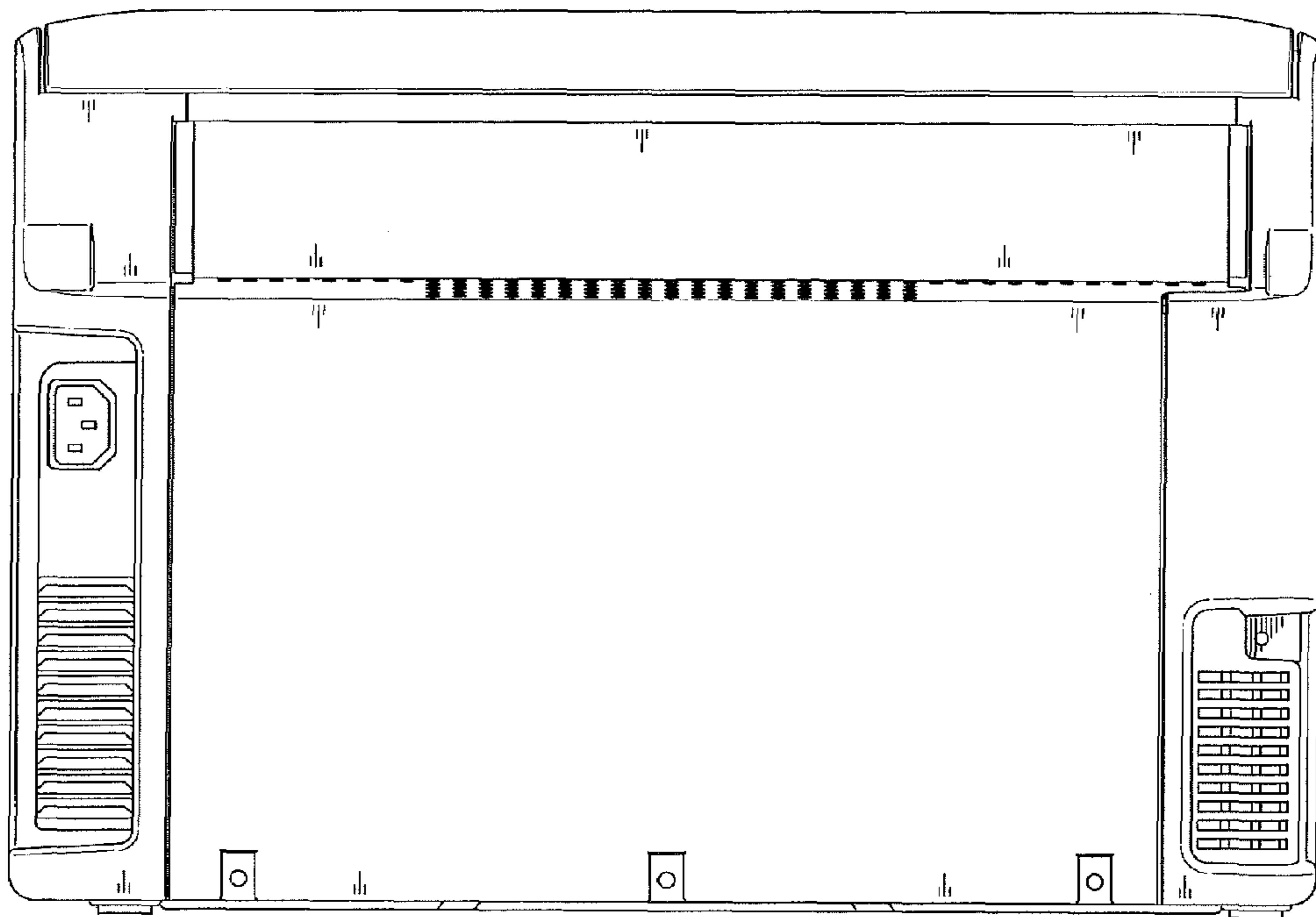


Fig. 5

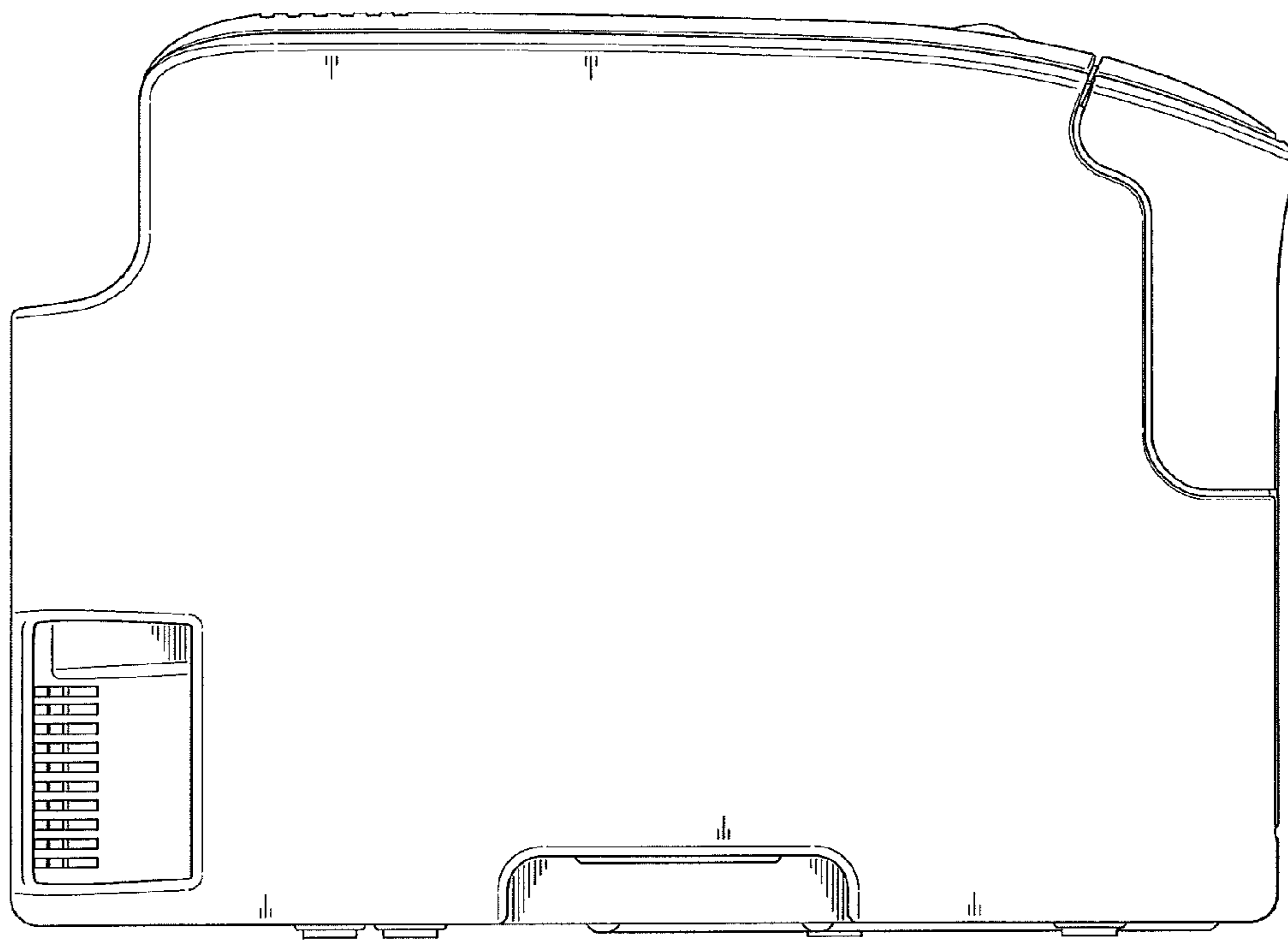


Fig. 6

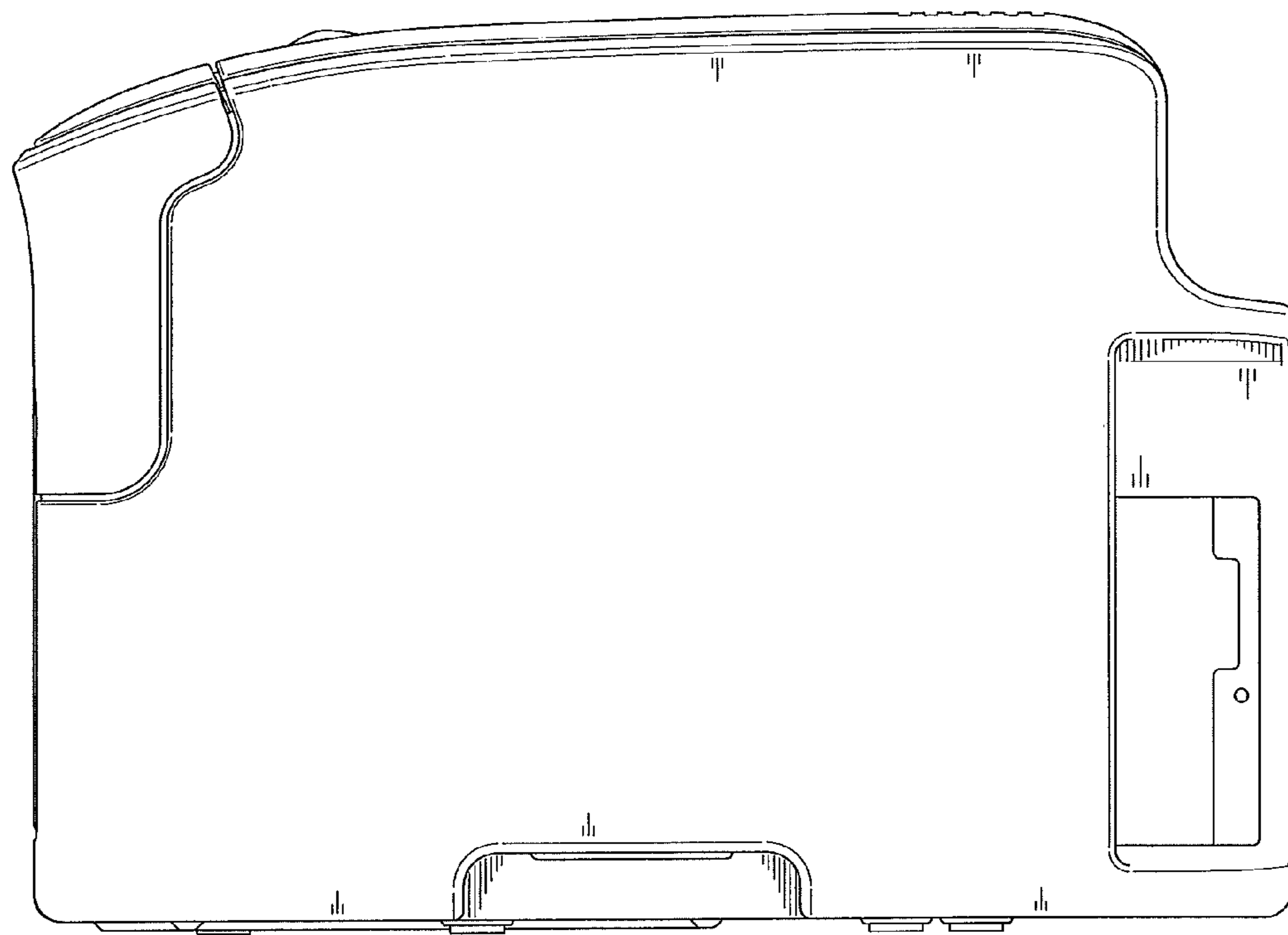


Fig. 7

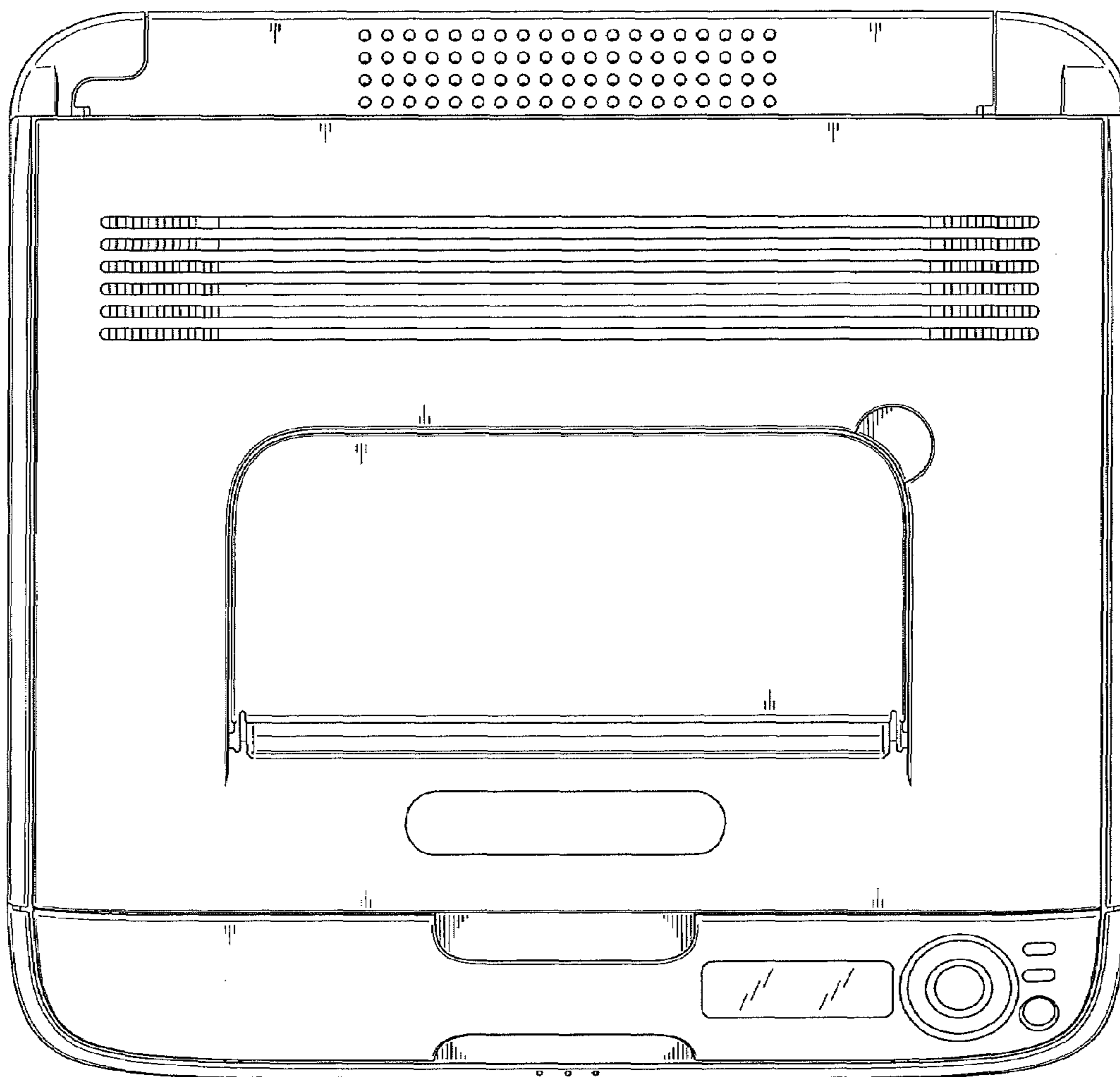




Fig. 8

