



US00D608816S

(12) **United States Design Patent**
Wang-Lee

(10) **Patent No.:** **US D608,816 S**

(45) **Date of Patent:** **** Jan. 26, 2010**

(54) **PROTECTIVE GOGGLE**

(75) **Inventor:** **Tzu-Feng Wang-Lee**, Rende Township,
Tainan County (TW)

(73) **Assignee:** **Jiann Lih Optical Co., Ltd.**, Tainan
County (TW)

(**) **Term:** **14 Years**

(21) **Appl. No.:** **29/322,754**

(22) **Filed:** **Aug. 12, 2008**

(51) **LOC (9) Cl.** **16-06**

(52) **U.S. Cl.** **D16/312**

(58) **Field of Classification Search** D16/101,
D16/300-342; D29/109-110; D24/110.2;
351/41, 44, 51-52, 62, 158, 92, 103-123,
351/140, 153, 45-46; 2/426-432, 447-449,
2/441, 434-437, 13, 15; D21/483, 659-661
See application file for complete search history.

(56) **References Cited**

U.S. PATENT DOCUMENTS

D166,231 S * 3/1952 Stegeman D16/312
4,043,637 A * 8/1977 Hovey 359/241
D381,034 S * 7/1997 Wiedner D16/312
D488,182 S * 4/2004 Sheldon et al. D16/312

D515,615 S * 2/2006 Fecteau et al. D16/312
D547,354 S * 7/2007 Fuchs D16/312
D551,280 S * 9/2007 Li D16/312
D556,812 S * 12/2007 Wang-Lee D16/312
D595,332 S * 6/2009 Yang D16/312
2008/0047050 A1 * 2/2008 Hooper et al. 2/437

* cited by examiner

Primary Examiner—Raphael Barkai

(74) *Attorney, Agent, or Firm*—Alan Kamrath; Kamrath &
Associates PA

(57) **CLAIM**

The ornamental design for a protective goggle, as shown and
described.

DESCRIPTION

FIG. 1 is a perspective view of a protective goggle showing
my new design;

FIG. 2 is a front side elevational view thereof;

FIG. 3 is a rear side elevational view thereof;

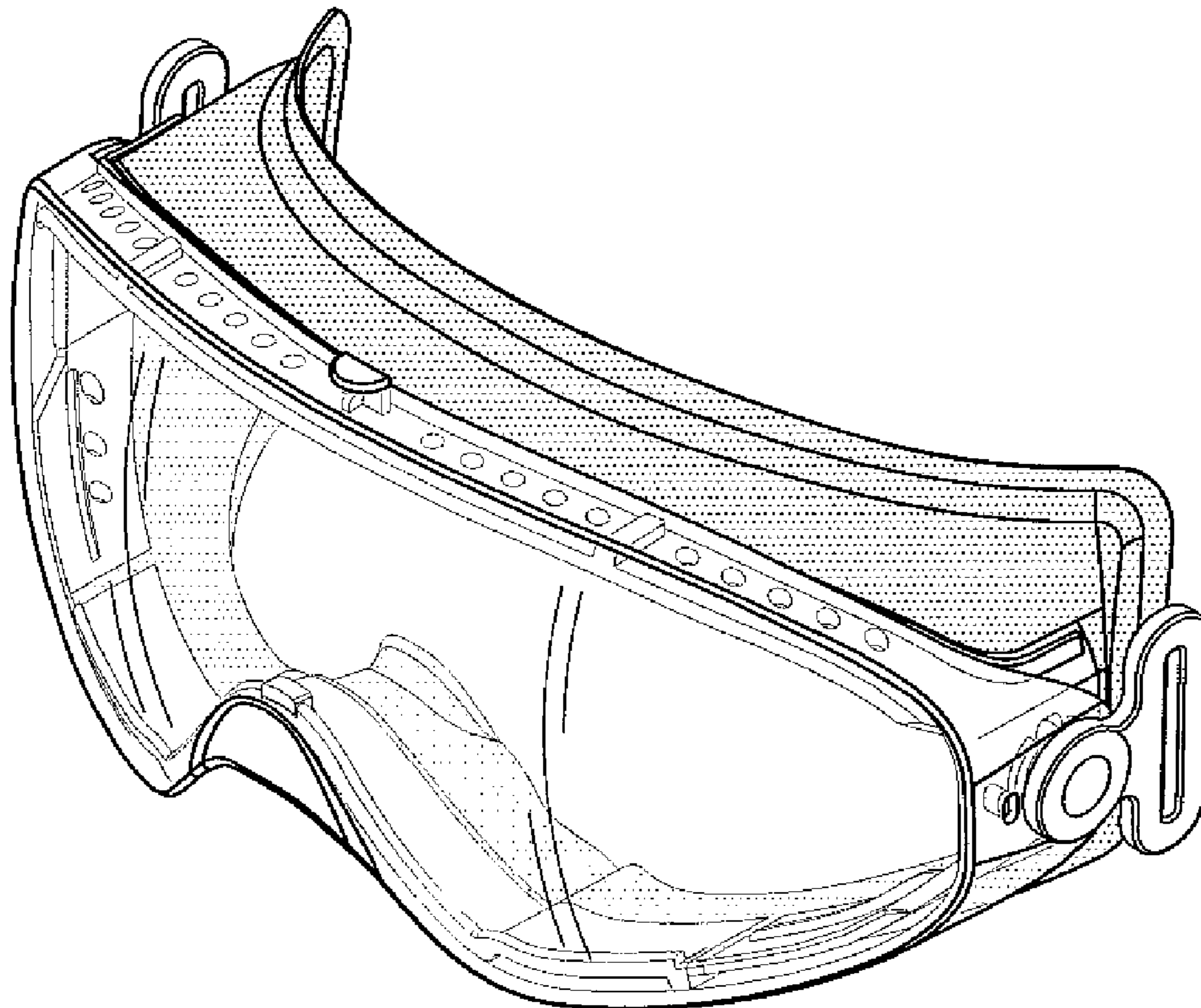
FIG. 4 is a left side elevational view thereof;

FIG. 5 is a right side elevational view thereof;

FIG. 6 is a top plan view thereof; and,

FIG. 7 is a bottom plan view thereof.

1 Claim, 4 Drawing Sheets



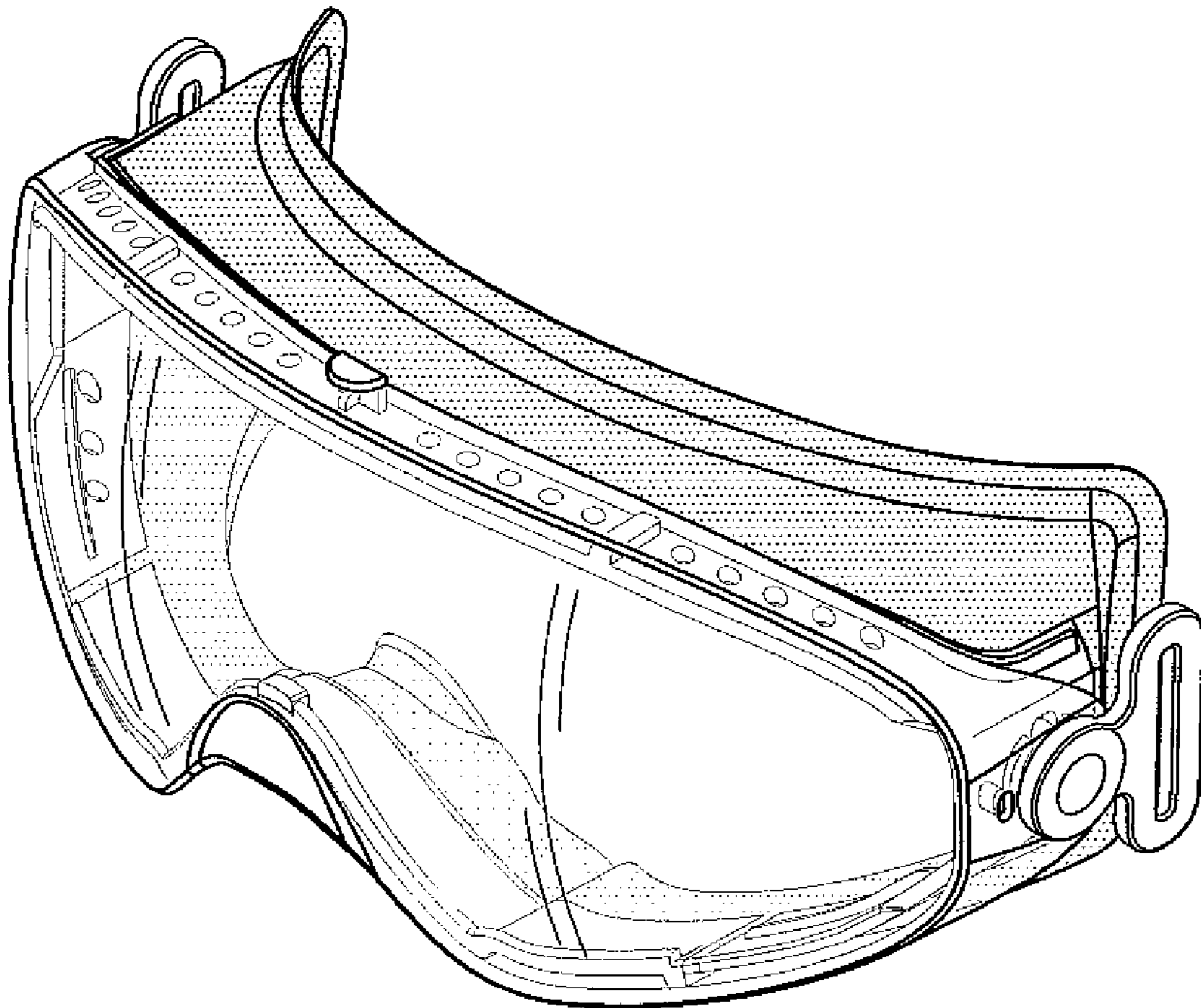


FIG. 1

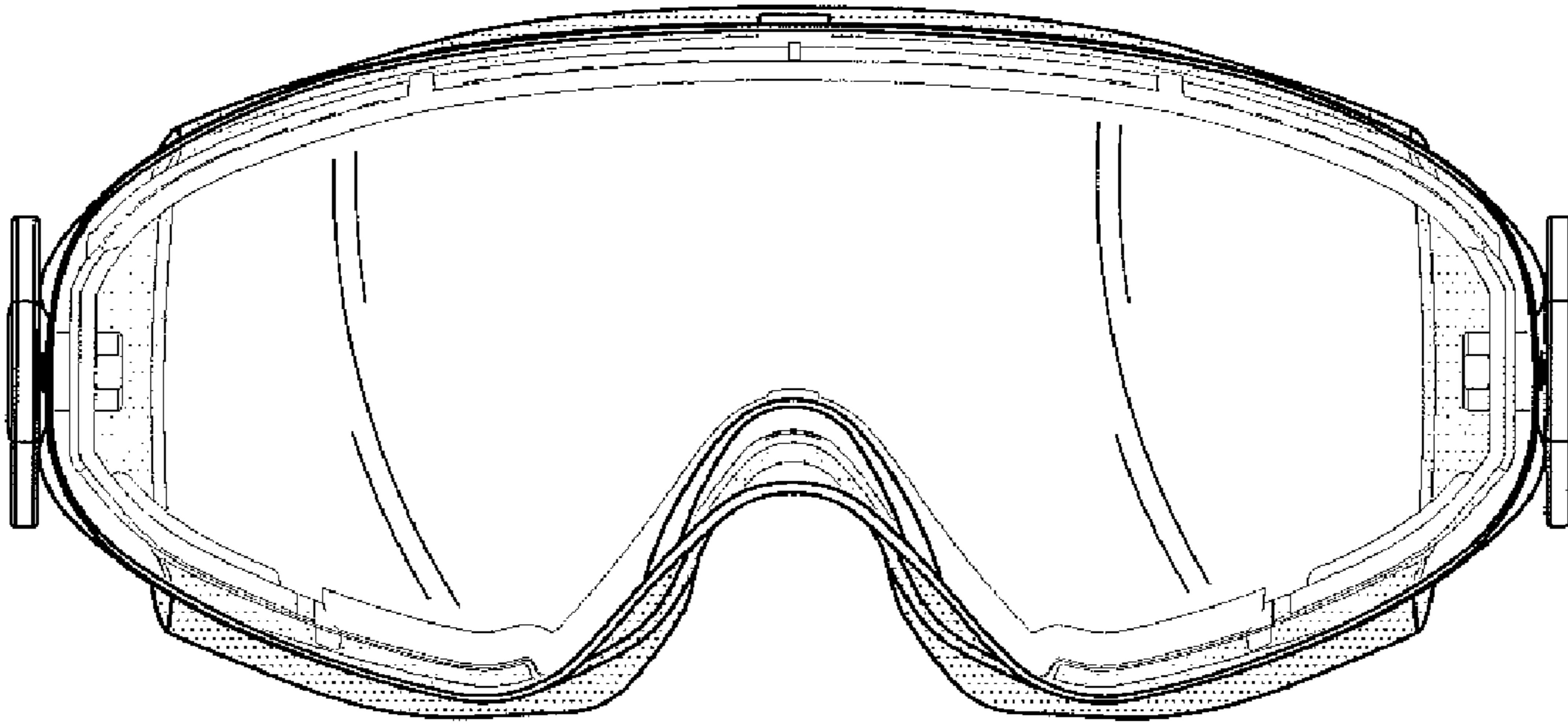


FIG. 2

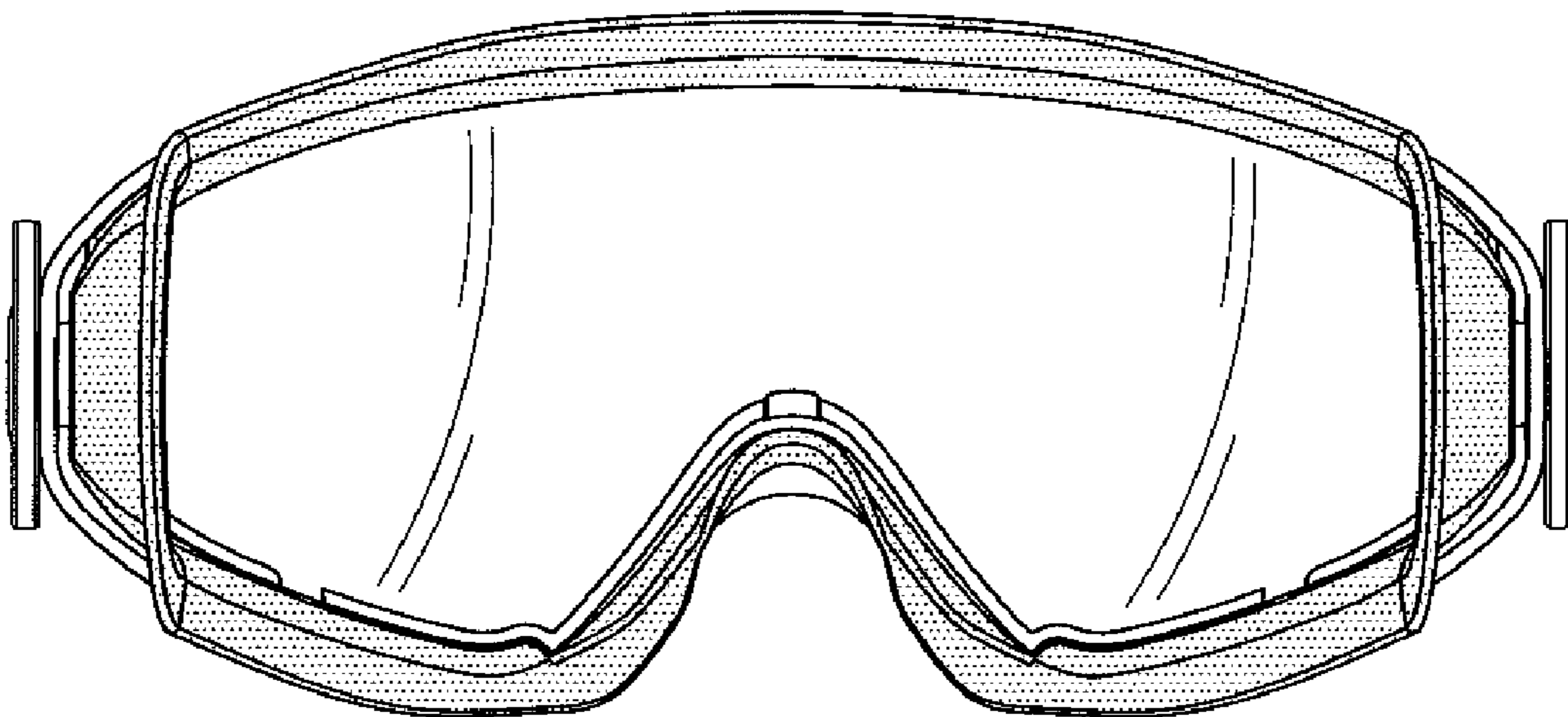


FIG. 3

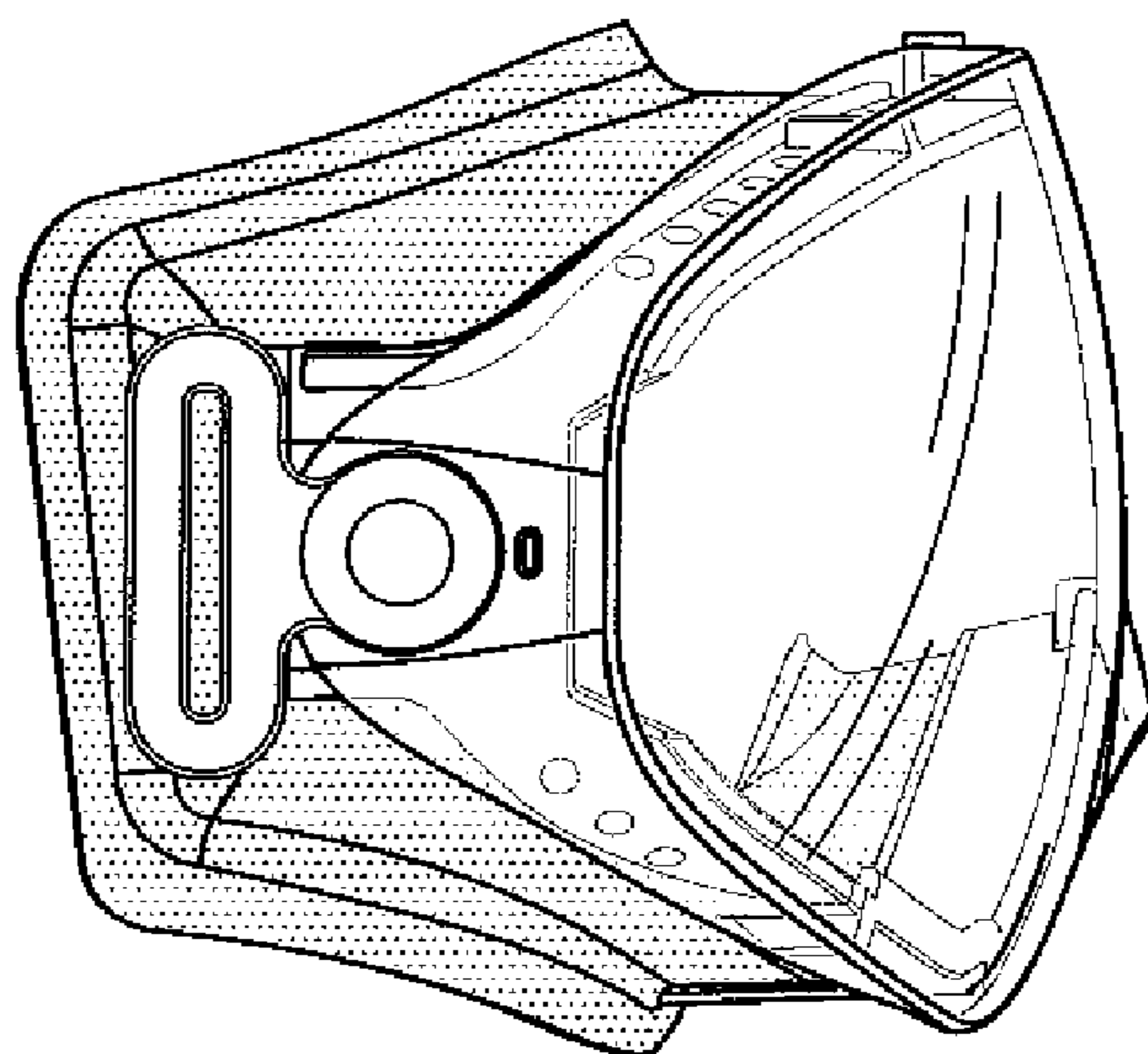


FIG. 4

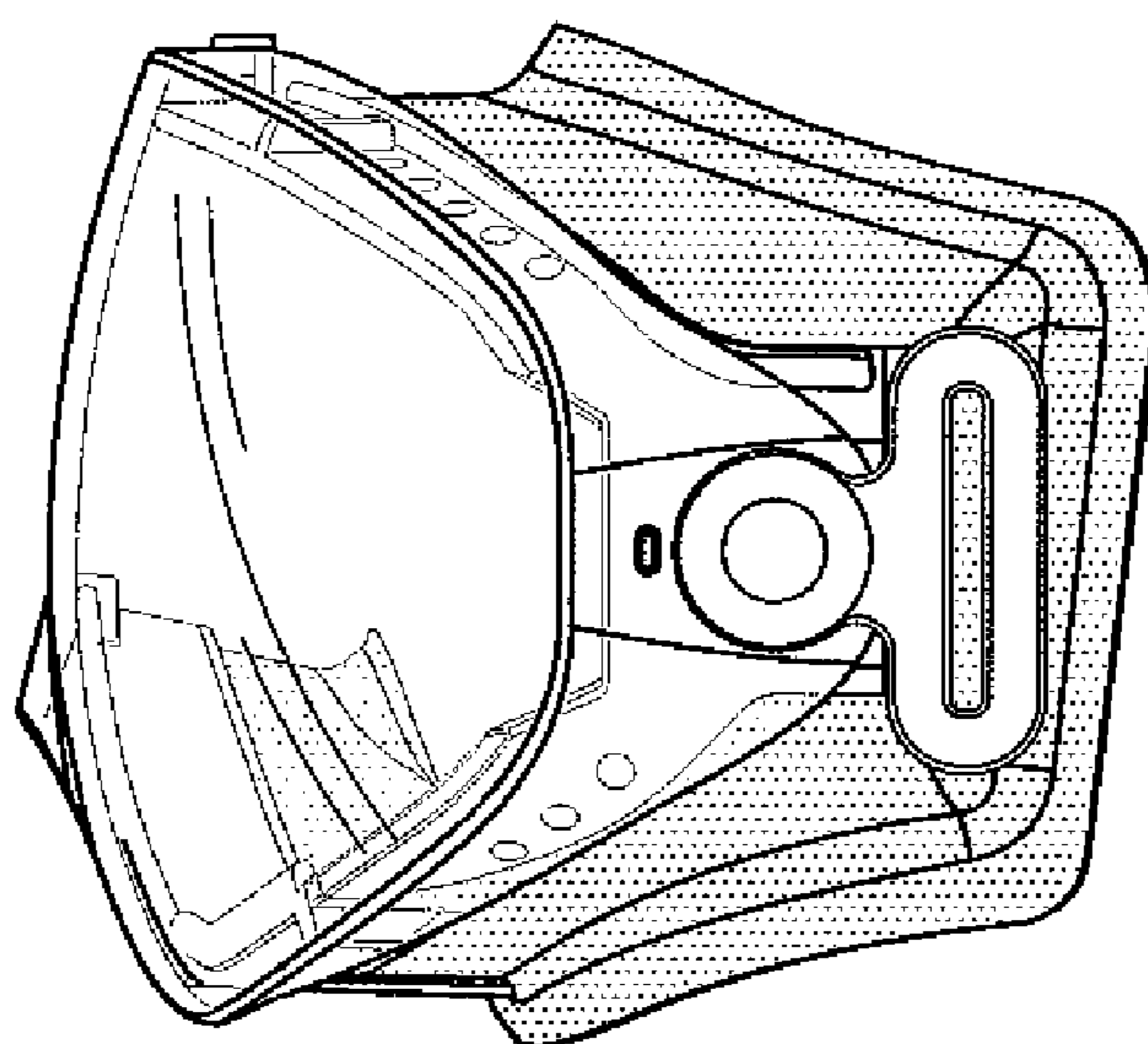


FIG. 5

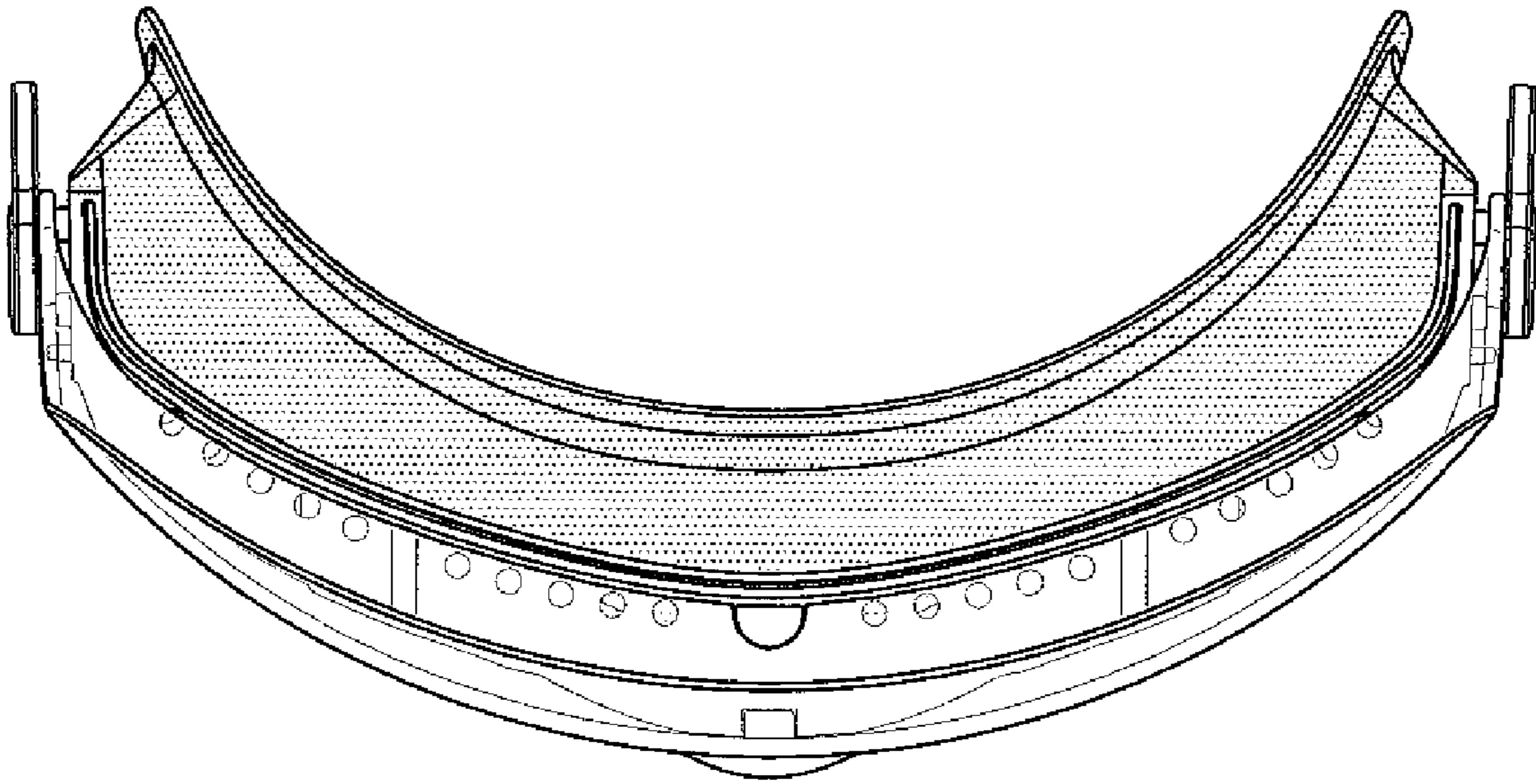


FIG. 6

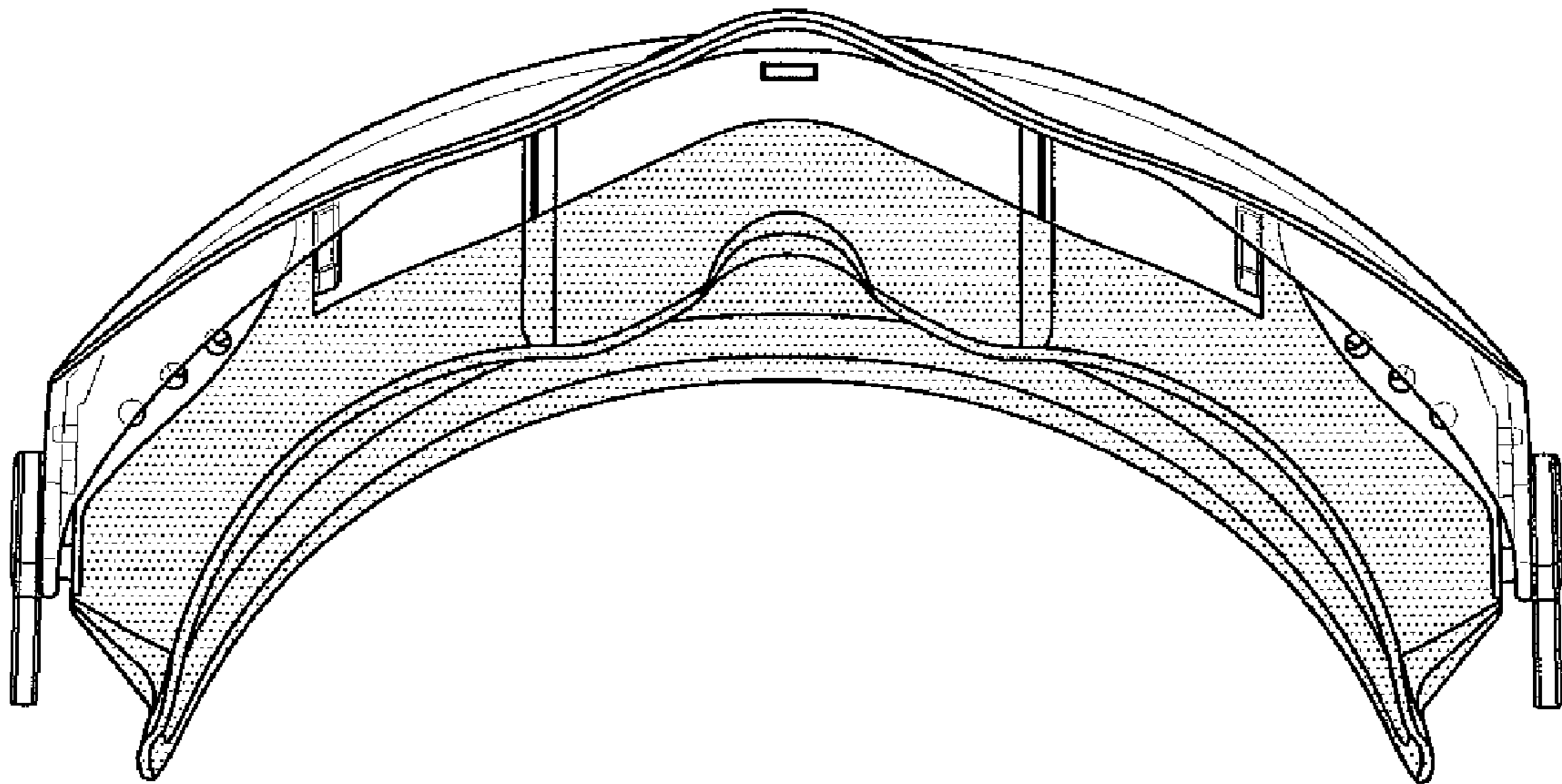


FIG. 7