



US00D608812S

(12) **United States Design Patent**
Tainaka

(10) **Patent No.:** **US D608,812 S**
(45) **Date of Patent:** **** Jan. 26, 2010**

(54) **DIGITAL CAMERA**

(75) Inventor: **Daisuke Tainaka**, Hachioji (JP)

(73) Assignee: **Olympus Imaging Corp.**, Tokyo (JP)

(**) Term: **14 Years**

(21) Appl. No.: **29/325,294**

(22) Filed: **Sep. 29, 2008**

(30) **Foreign Application Priority Data**

Aug. 7, 2008 (JP) 2008-020518

(51) **LOC (9) Cl.** **16-01**

(52) **U.S. Cl.** **D16/212; D16/202**

(58) **Field of Classification Search** D16/200–204,
D16/208, 212, 218, 219; 348/373–376; 358/909.1;
396/349, 448, 535–541

See application file for complete search history.

(56) **References Cited**

U.S. PATENT DOCUMENTS

D496,678 S *	9/2004	Kawase	D16/218
D542,322 S *	5/2007	Miyashita	D16/218
D559,294 S *	1/2008	Hibi	D16/219
D561,230 S *	2/2008	Song	D16/219
D570,391 S *	6/2008	Hibi	D16/218
D588,179 S *	3/2009	Hamamura	D16/212
7,507,041 B2 *	3/2009	Ueda et al.	348/375

OTHER PUBLICATIONS

Japanese Office Action dated Feb. 10, 2009 (2 pages), and English translation thereof (1 page) issued in counterpart Japanese Design Application No. 2008-020518.

Sony Corp. Sony Cyber-shot | DSC-T20, published in <http://www.sony.jp/products/Consumer/DSC/DSC-T20/style.html>.

* cited by examiner

Primary Examiner—Adir Aronovich

(74) *Attorney, Agent, or Firm*—Frishauf, Holtz, Goodman & Chick, P.C.

(57) **CLAIM**

The ornamental design for a digital camera, as shown and described.

DESCRIPTION

FIG. 1 is front, top and right side perspective view of a digital camera with a lens cover in an open position showing my new design;

FIG. 2 is a front elevational view thereof, with the lens cover in a closed position;

FIG. 3 is a rear elevational view thereof;

FIG. 4 is a top plan view thereof;

FIG. 5 is a bottom plan view thereof;

FIG. 6 is a right side elevational view thereof;

FIG. 7 is a left side elevational view thereof; and,

FIG. 8 is a front elevational view thereof, with the lens cover in an open position.

1 Claim, 5 Drawing Sheets

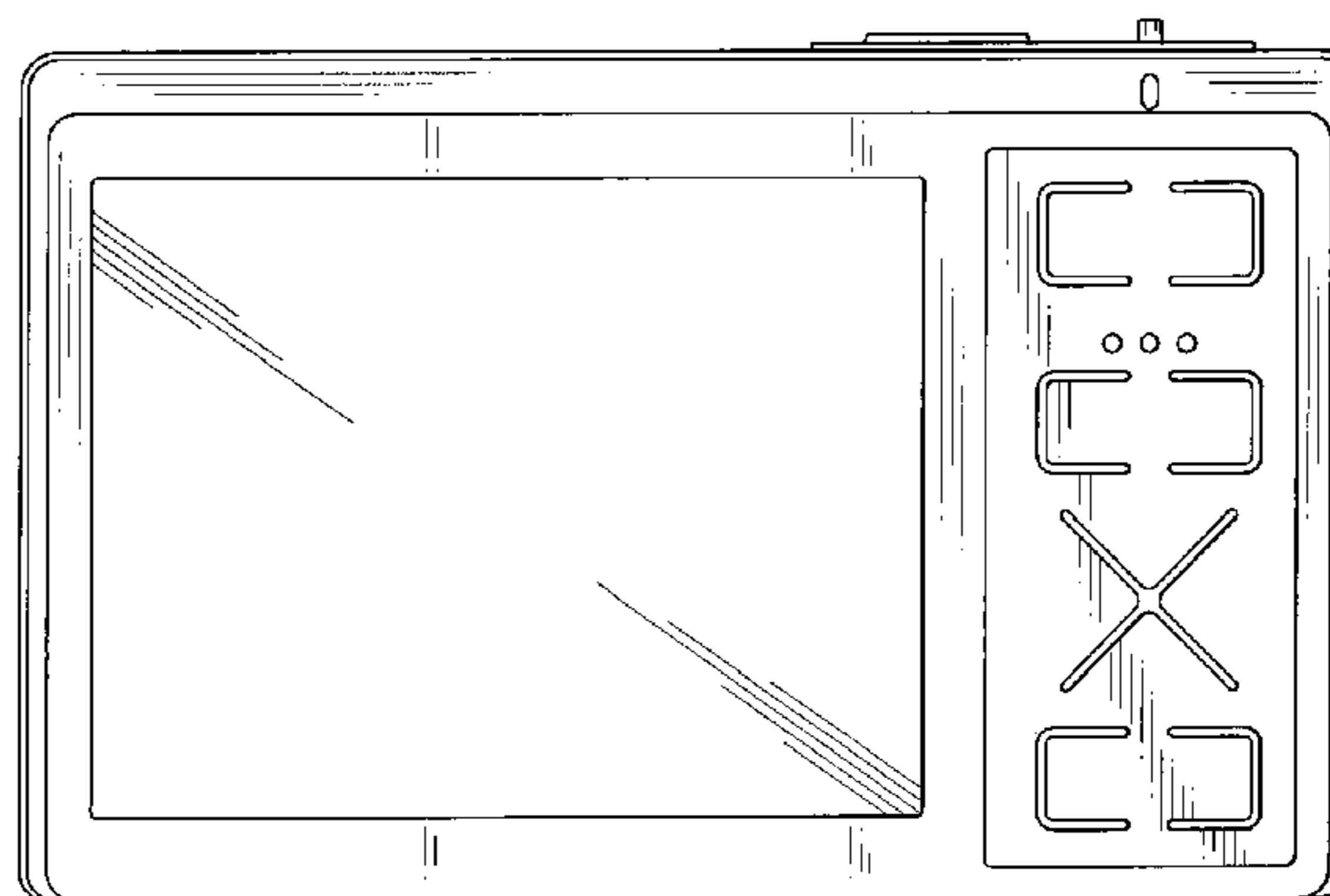
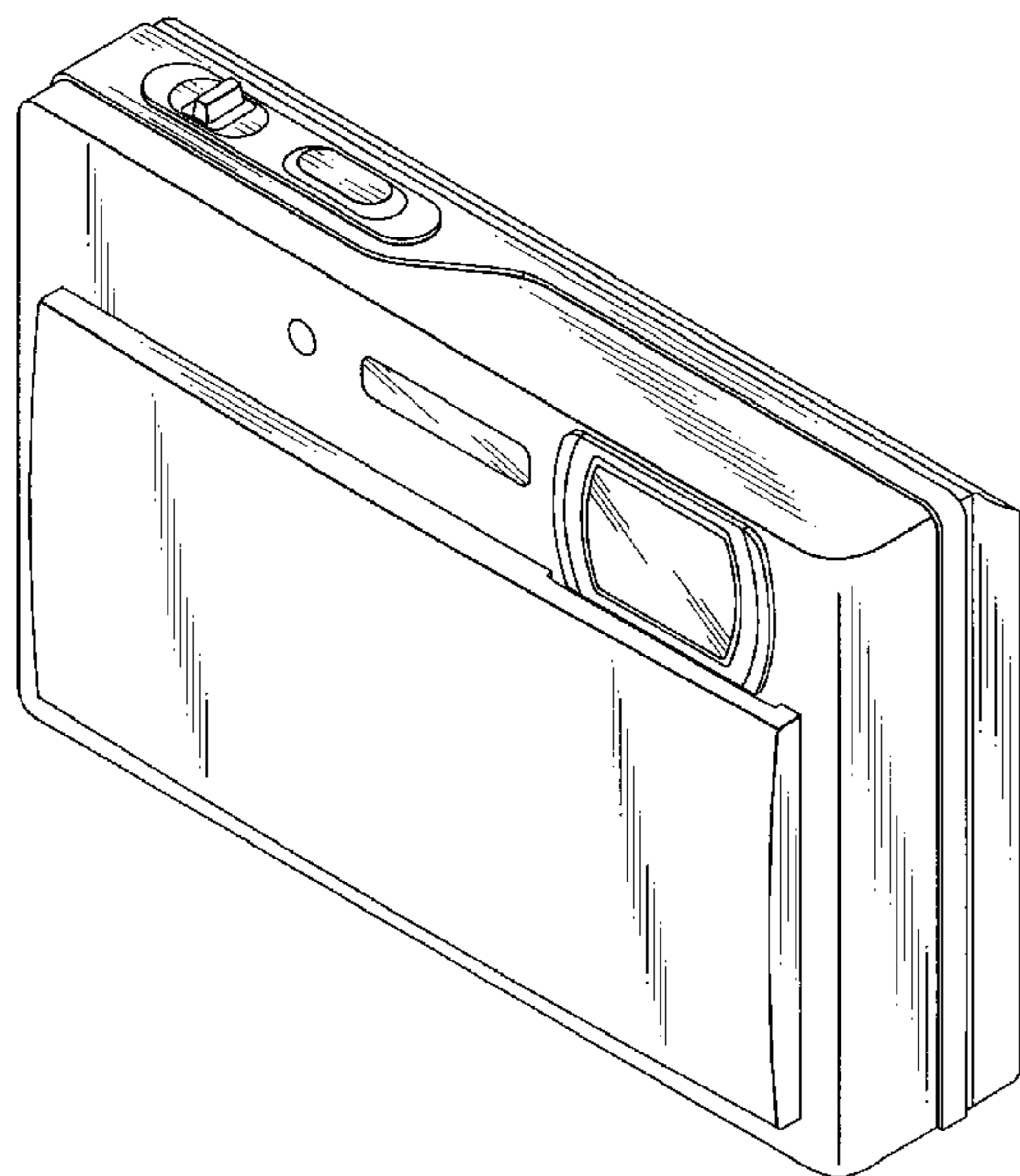


FIG.1

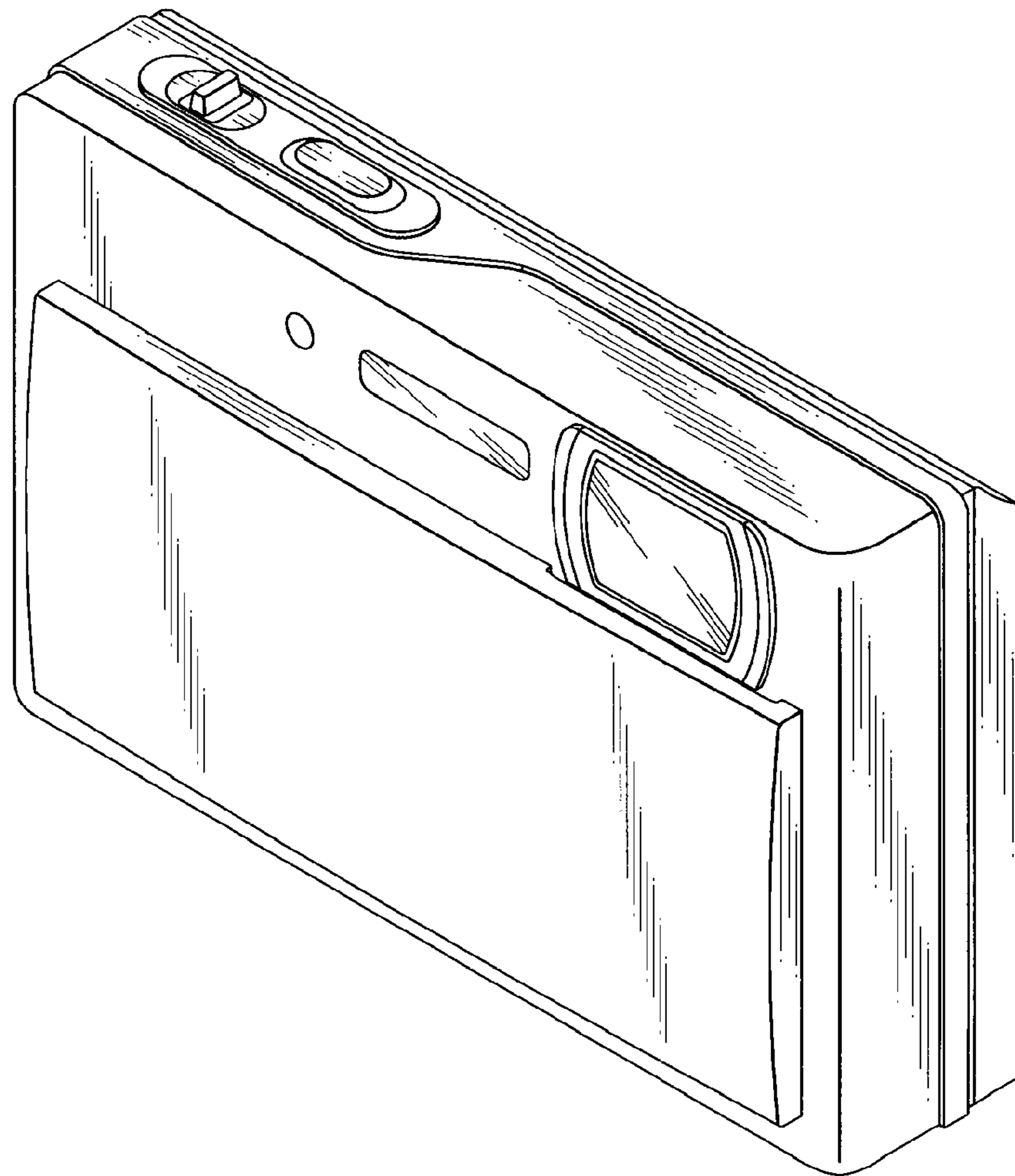


FIG.2

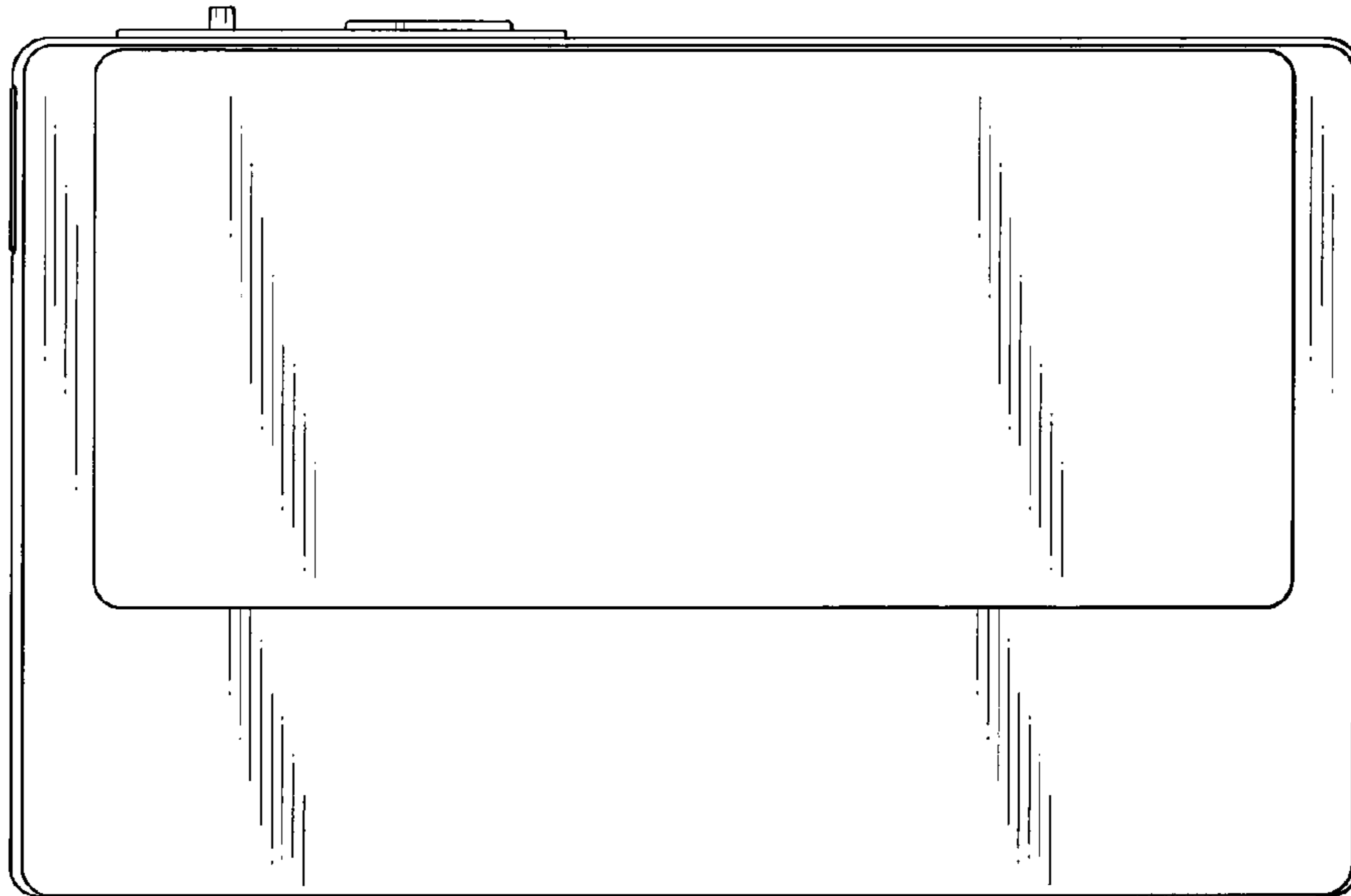


FIG.3

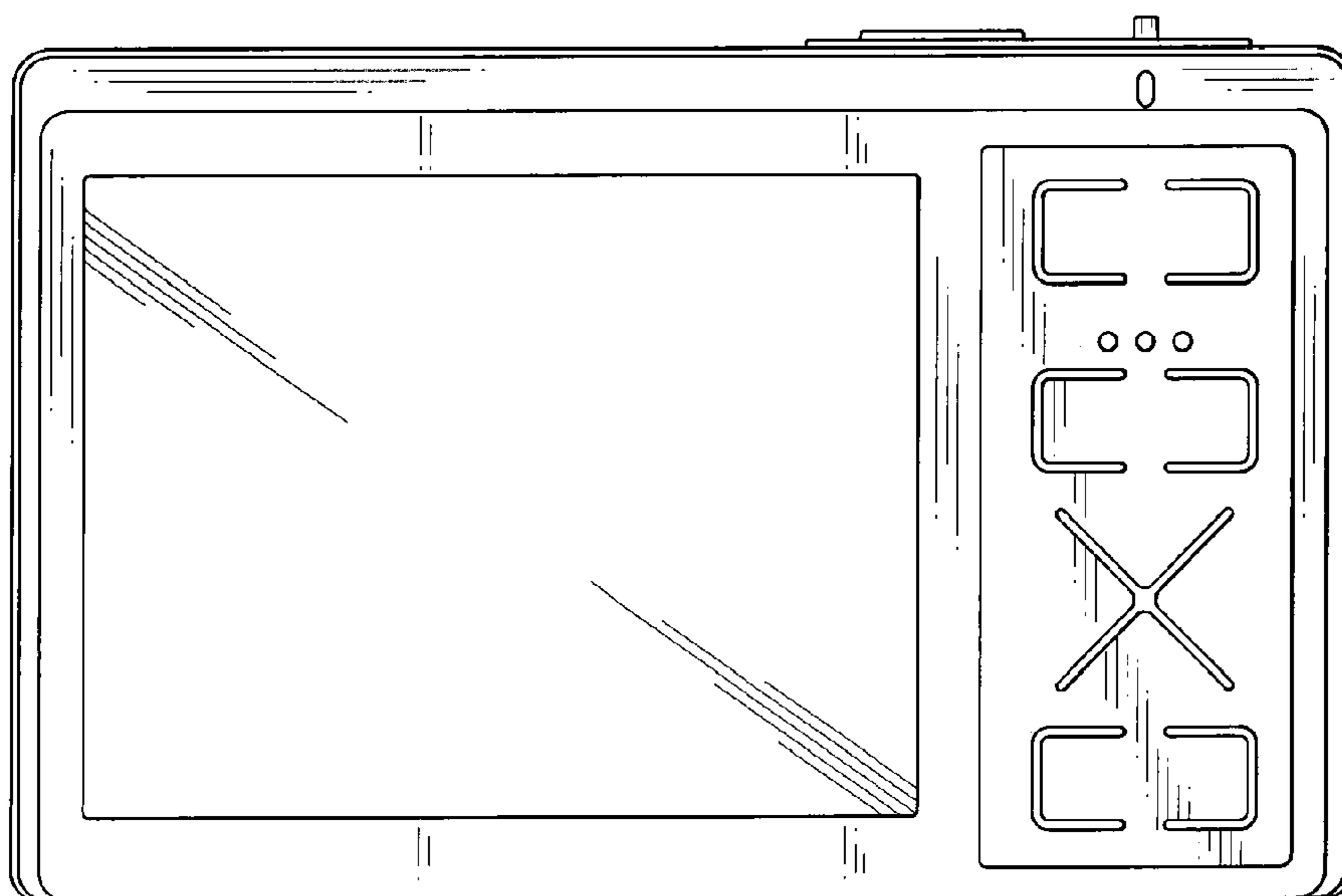


FIG.4

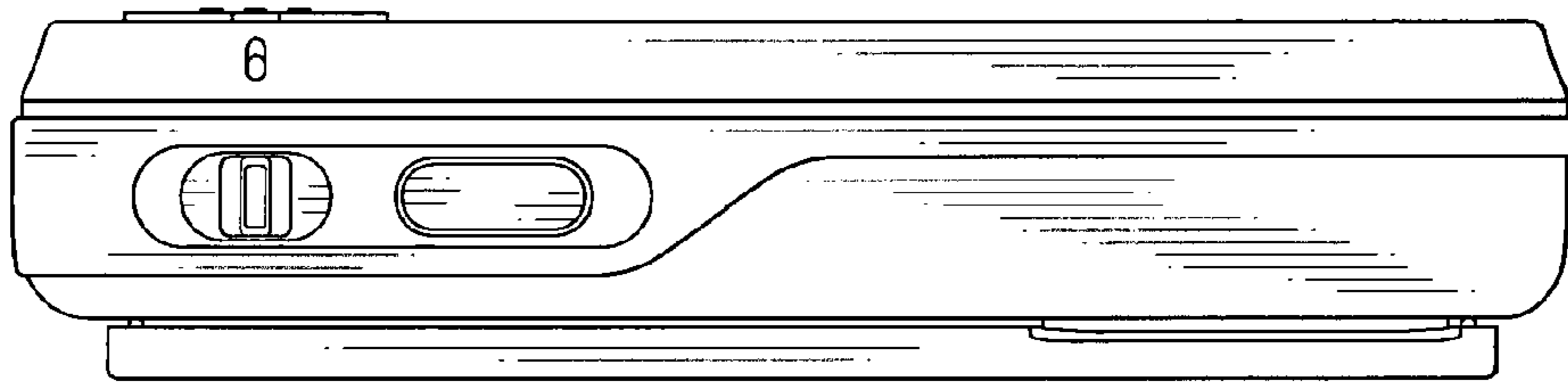


FIG.5

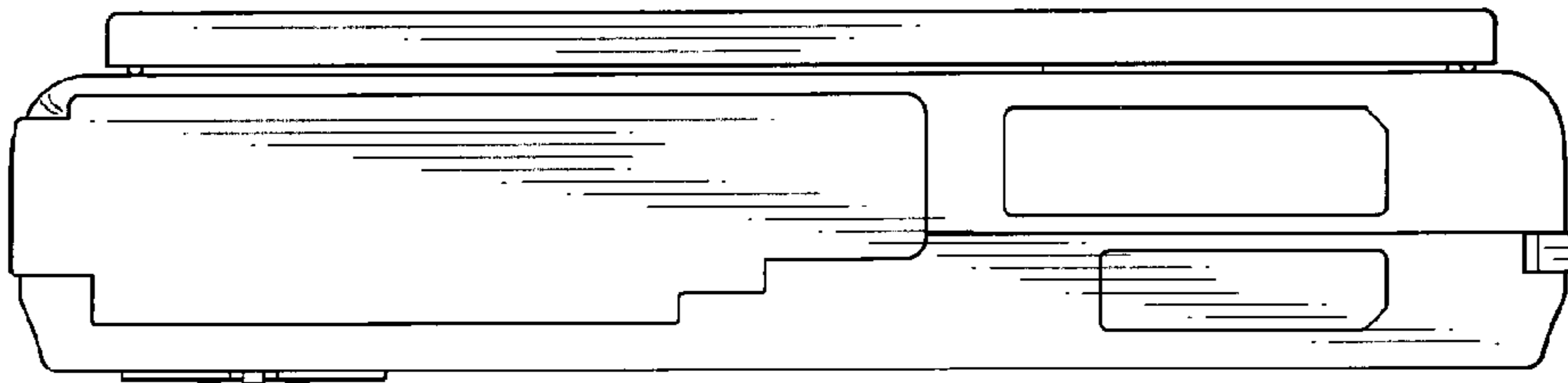


FIG.6

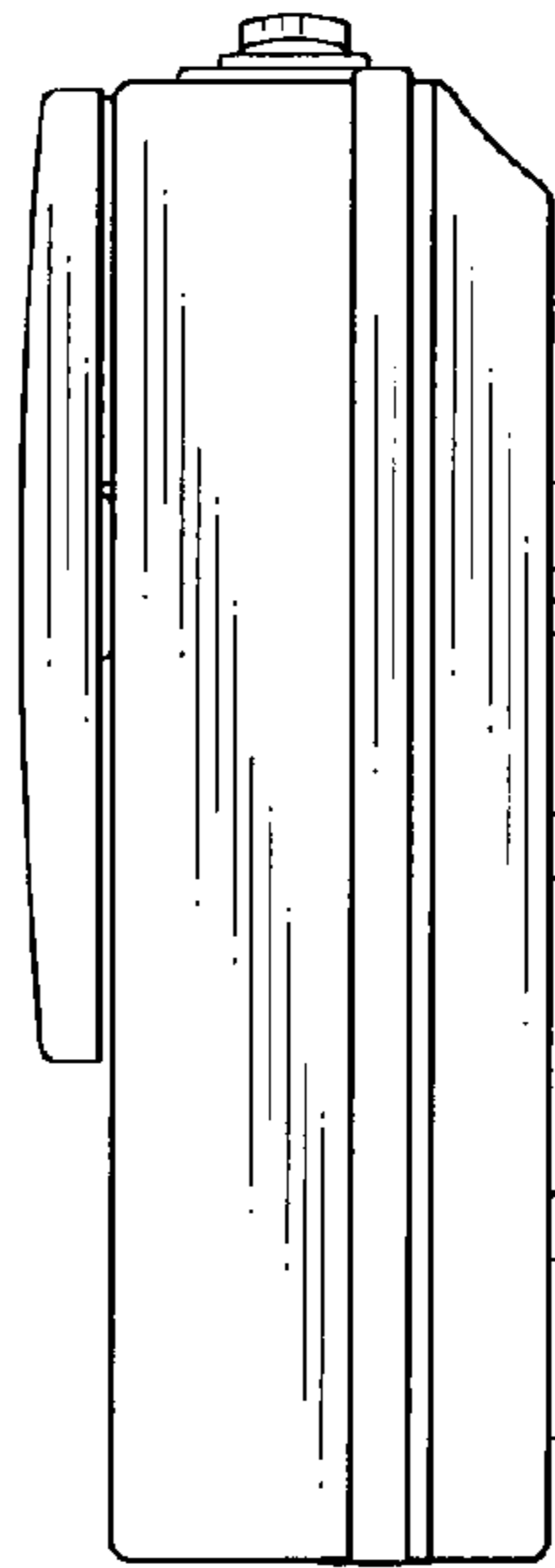


FIG.7

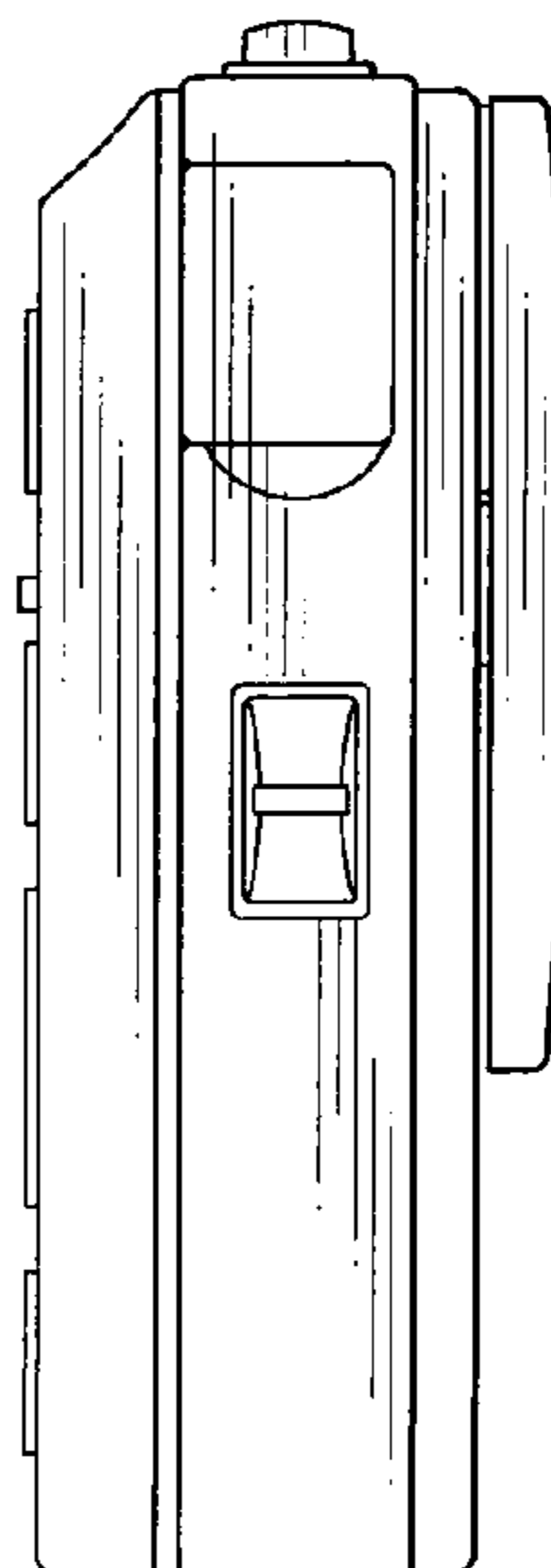


FIG.8

