



US00D608805S

(12) **United States Design Patent**
Gantner

(10) **Patent No.:** **US D608,805 S**

(45) **Date of Patent:** **** Jan. 26, 2010**

(54) **COVER FOR A GARAGE DOOR
TRANSMITTER/RECEIVER**

(76) Inventor: **Mark A. Gantner**, 9 Northstar Ct., St.
Peters, MO (US) 63376

(**) Term: **14 Years**

(21) Appl. No.: **29/332,552**

(22) Filed: **Feb. 19, 2009**

(51) **LOC (9) Cl.** **15-99**

(52) **U.S. Cl.** **D15/199**

(58) **Field of Classification Search** D13/158,
D13/165, 177; D15/199; 49/25, 26, 28,
49/139, 199, 280, 362; 250/239
See application file for complete search history.

(56) **References Cited**

U.S. PATENT DOCUMENTS

3,408,501	A	10/1968	Thompson	
4,241,870	A *	12/1980	Marcus	296/37.7
D292,792	S *	11/1987	Henry	D15/199
4,797,548	A	1/1989	Kobbing	
D346,587	S	5/1994	Herman	
D348,075	S *	6/1994	Meyer	D15/199
5,508,511	A	4/1996	Zur	
5,579,212	A	11/1996	Albano	
5,739,753	A	4/1998	Porter	
D401,562	S	11/1998	Brass	
5,934,019	A	8/1999	Rotharmel	
5,937,578	A	8/1999	Dolan	
D434,054	S *	11/2000	Luke	D15/199
6,157,023	A	12/2000	Wenner	
6,384,407	B1	5/2002	Frank	
D466,141	S *	11/2002	Mullet et al.	D15/148
6,509,561	B1	1/2003	Scott	

6,529,129	B1	3/2003	Tomooka	
6,662,499	B1	12/2003	Shin	
D486,797	S *	2/2004	Anderson et al.	D13/158
D486,841	S *	2/2004	Reedy et al.	D15/199
6,737,968	B1	5/2004	Ergun	
6,818,884	B2	11/2004	Koch	
D526,279	S	8/2006	Kotyk	
7,178,289	B2	2/2007	Gierl	
2002/0105430	A1 *	8/2002	Williams et al.	340/686.2
2003/0210131	A1 *	11/2003	Fitzgibbon et al.	340/5.53
2006/0196119	A1	9/2006	Hormann	

* cited by examiner

Primary Examiner—Sandra Snapp
Assistant Examiner—Patricia Palasik
(74) *Attorney, Agent, or Firm*—Grace J. Fishel

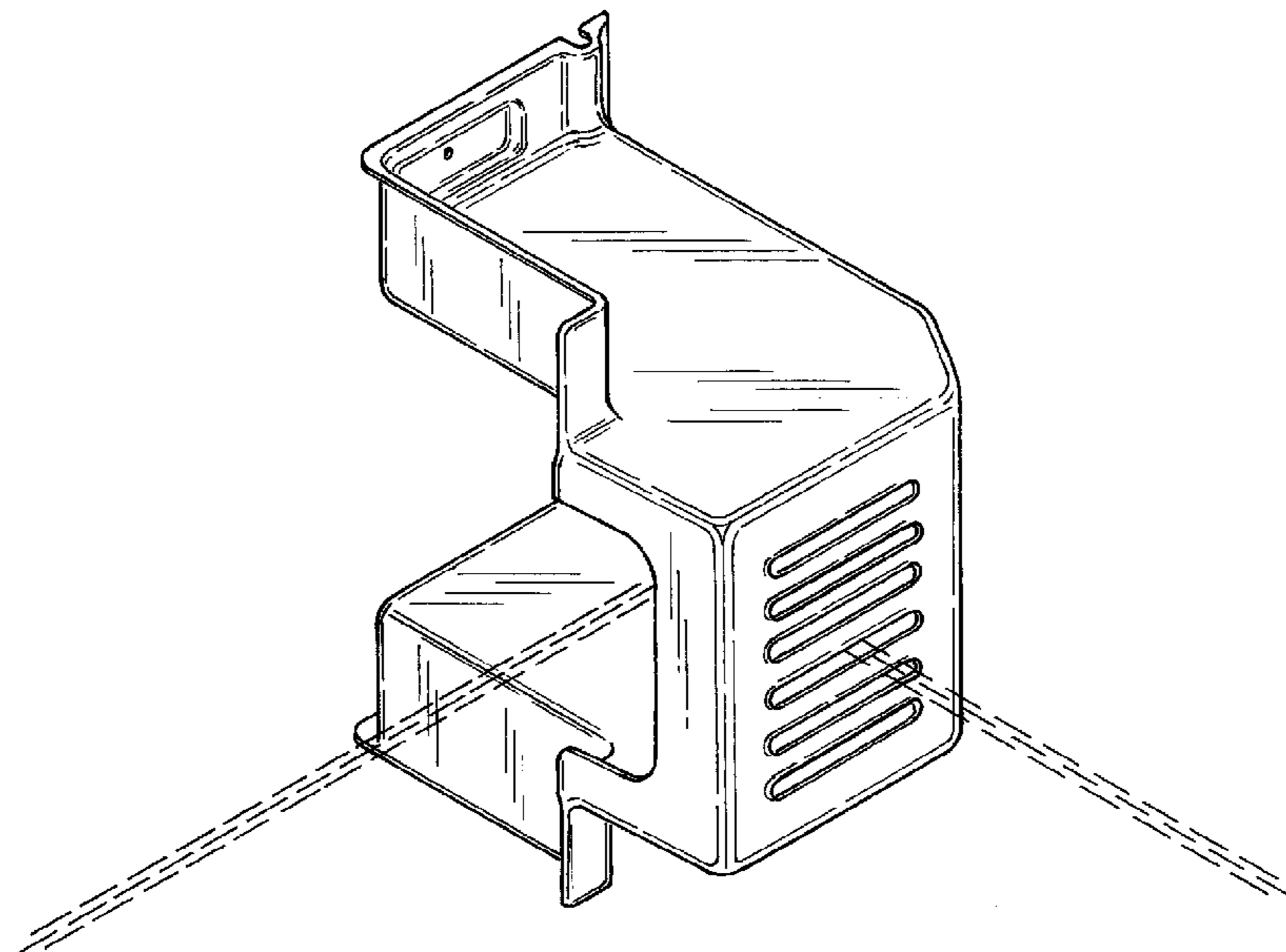
(57) **CLAIM**

The ornamental design for a cover for a garage door transmitter/receiver, as shown and described.

DESCRIPTION

FIG. 1 is a perspective view of a cover for a garage door transmitter/receiver showing my new design in use;
FIG. 2 is a top view thereof, the bottom view being a mirror image;
FIG. 3 is a side view thereof;
FIG. 4 is a back view thereof;
FIG. 5 is a front view thereof; and,
FIG. 6 is a side view, opposite the side view shown in FIG. 3.
The light beams shown in broken lines in FIG. 1 are not part of the claimed design.

1 Claim, 3 Drawing Sheets



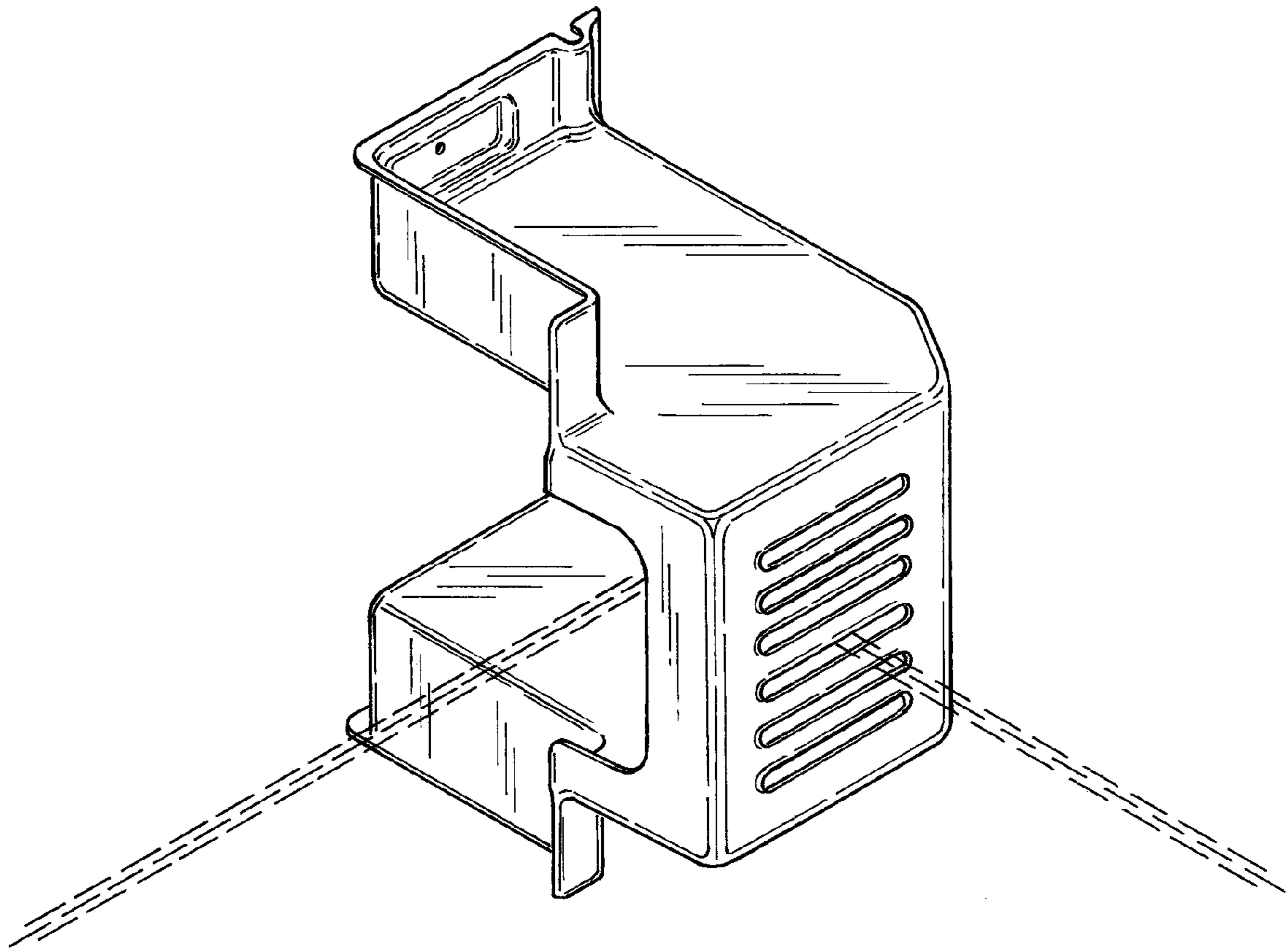


Fig. 1

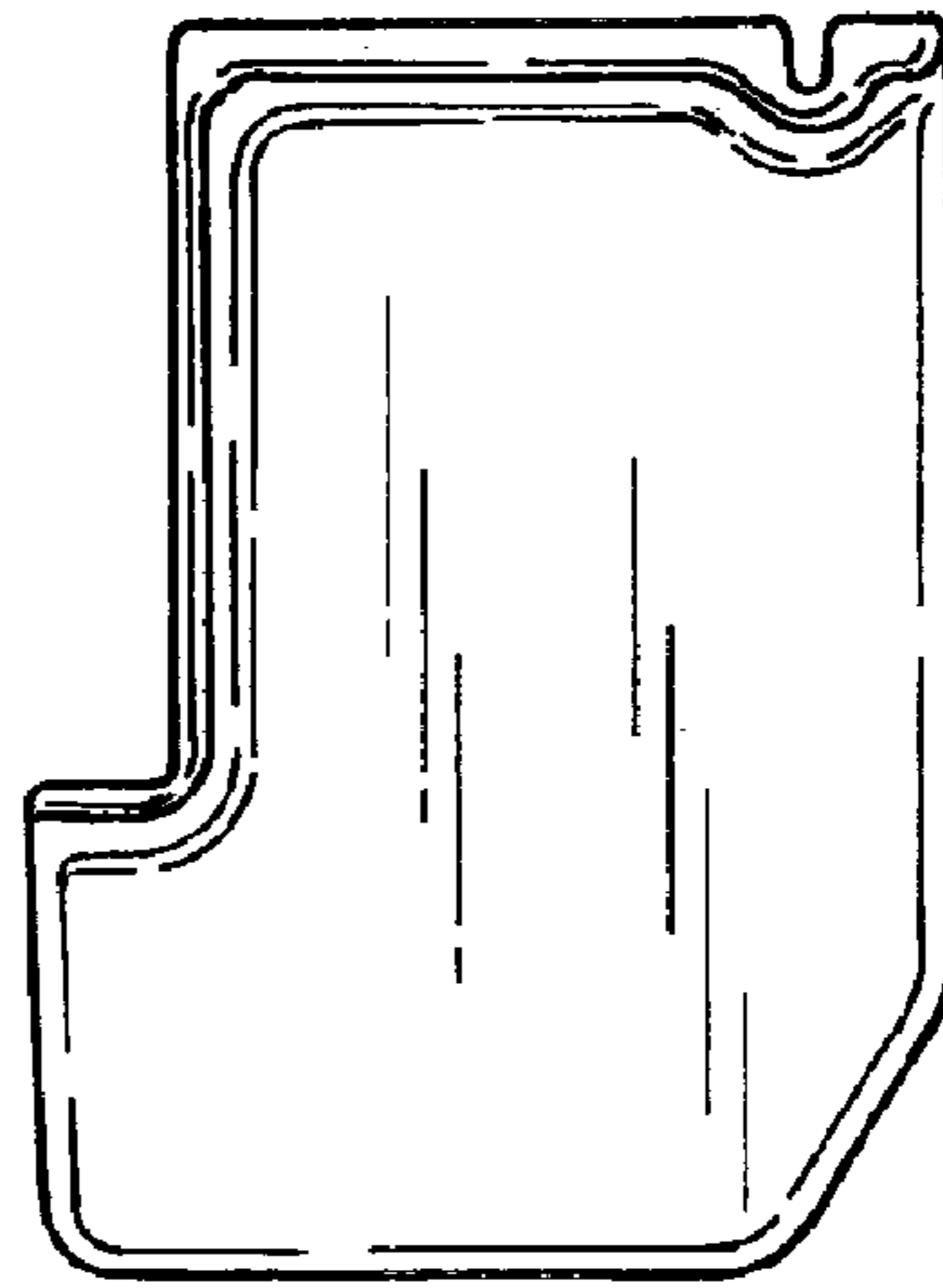


Fig. 2

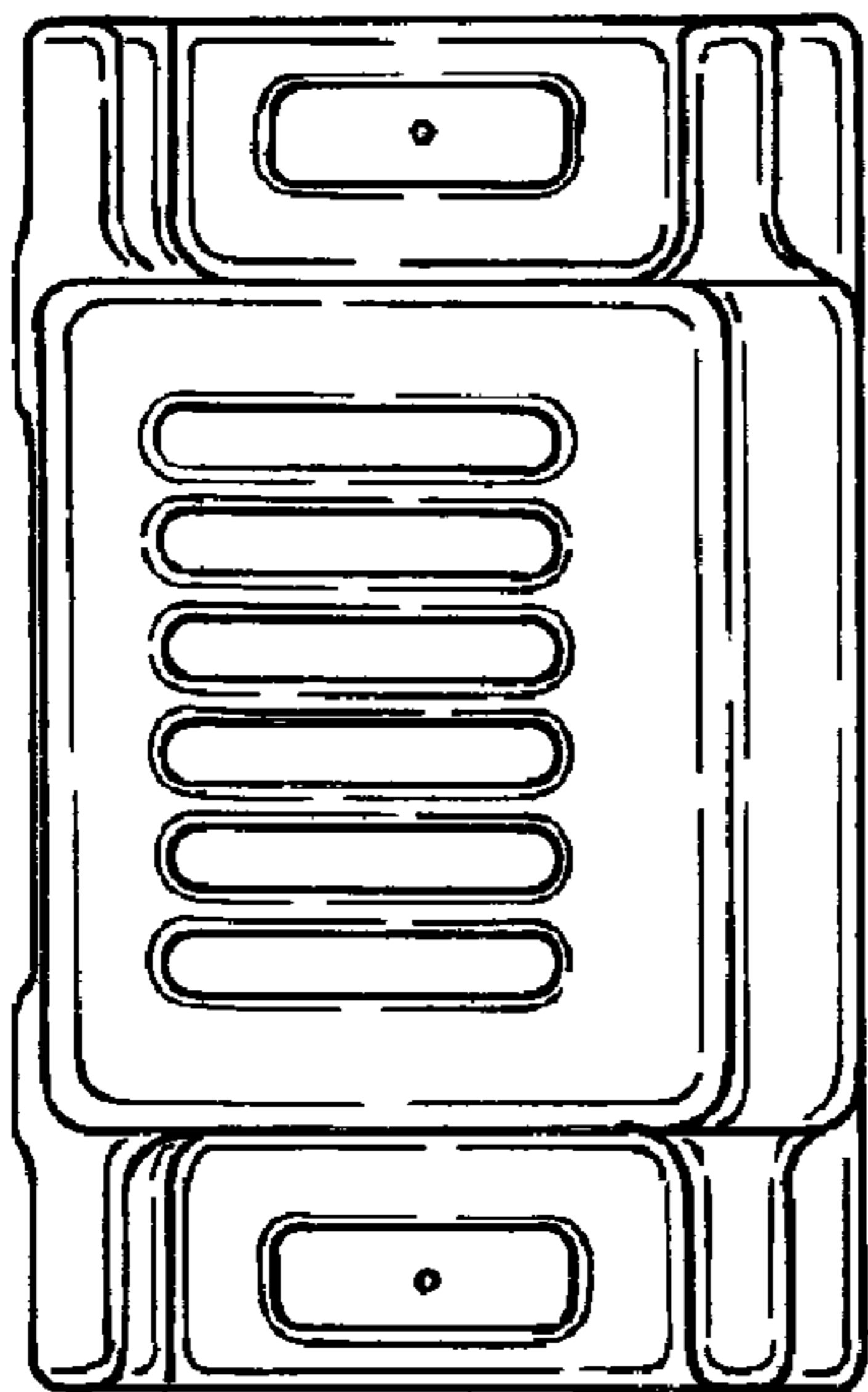


Fig. 3

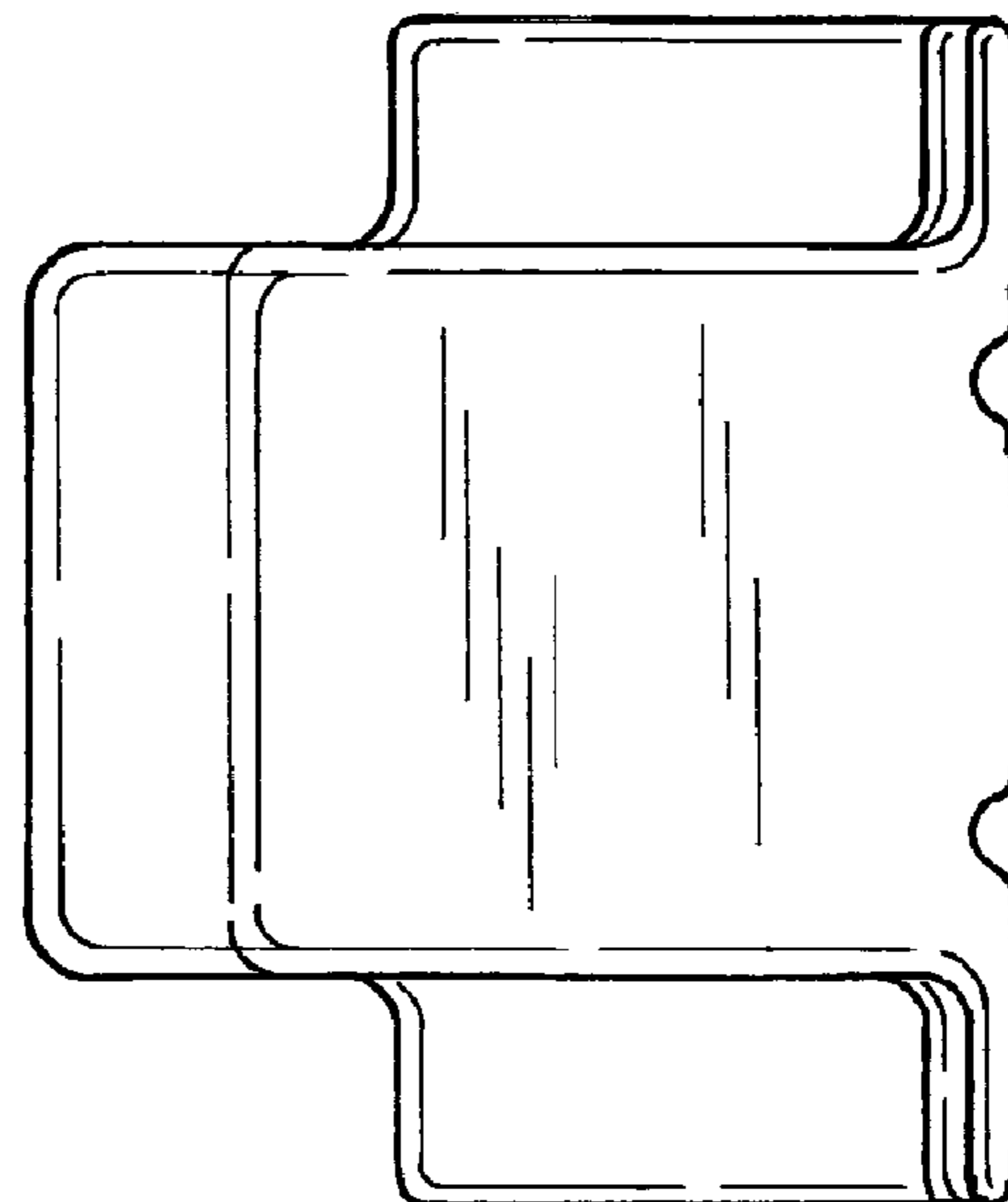


Fig. 4

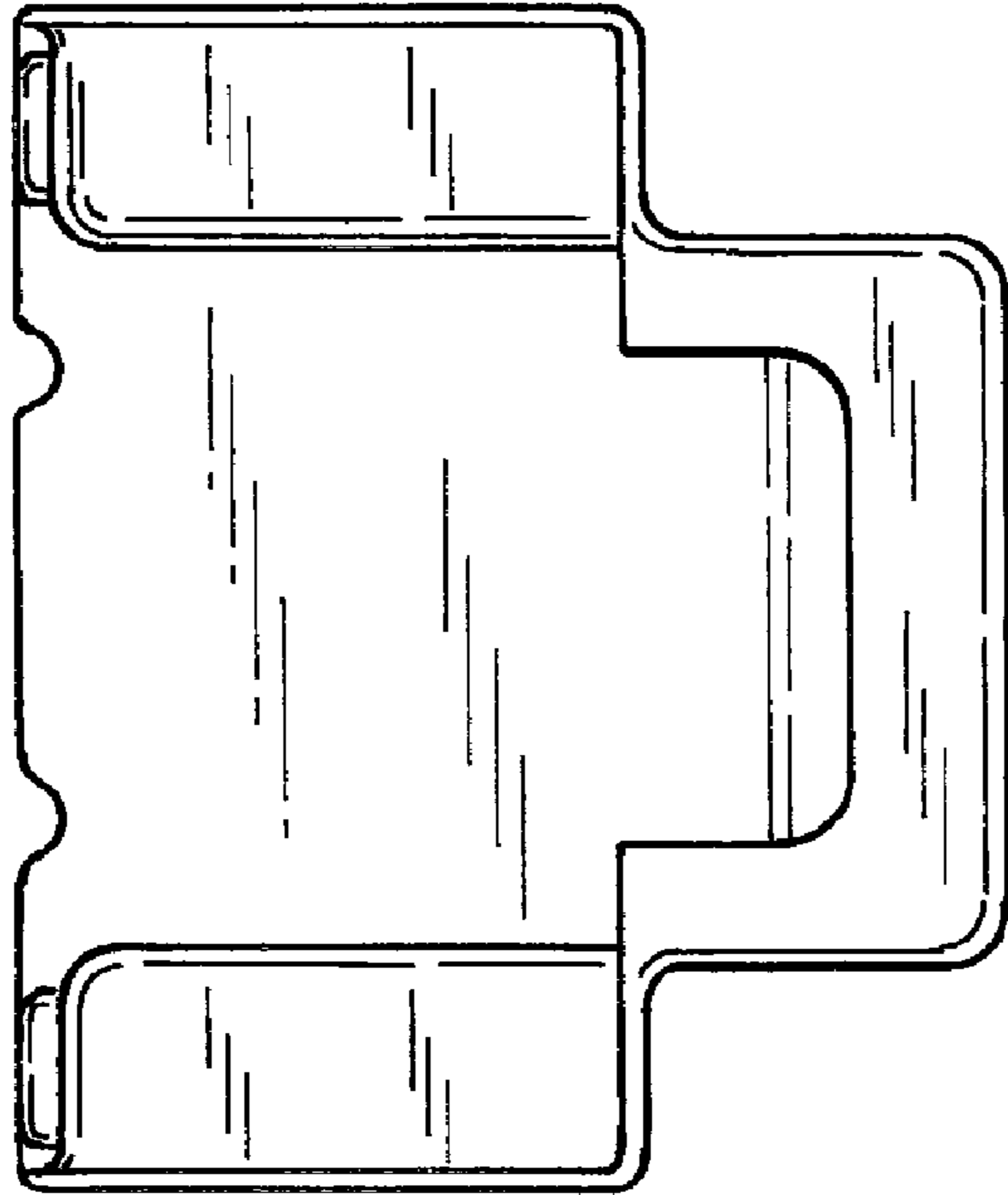


Fig. 5

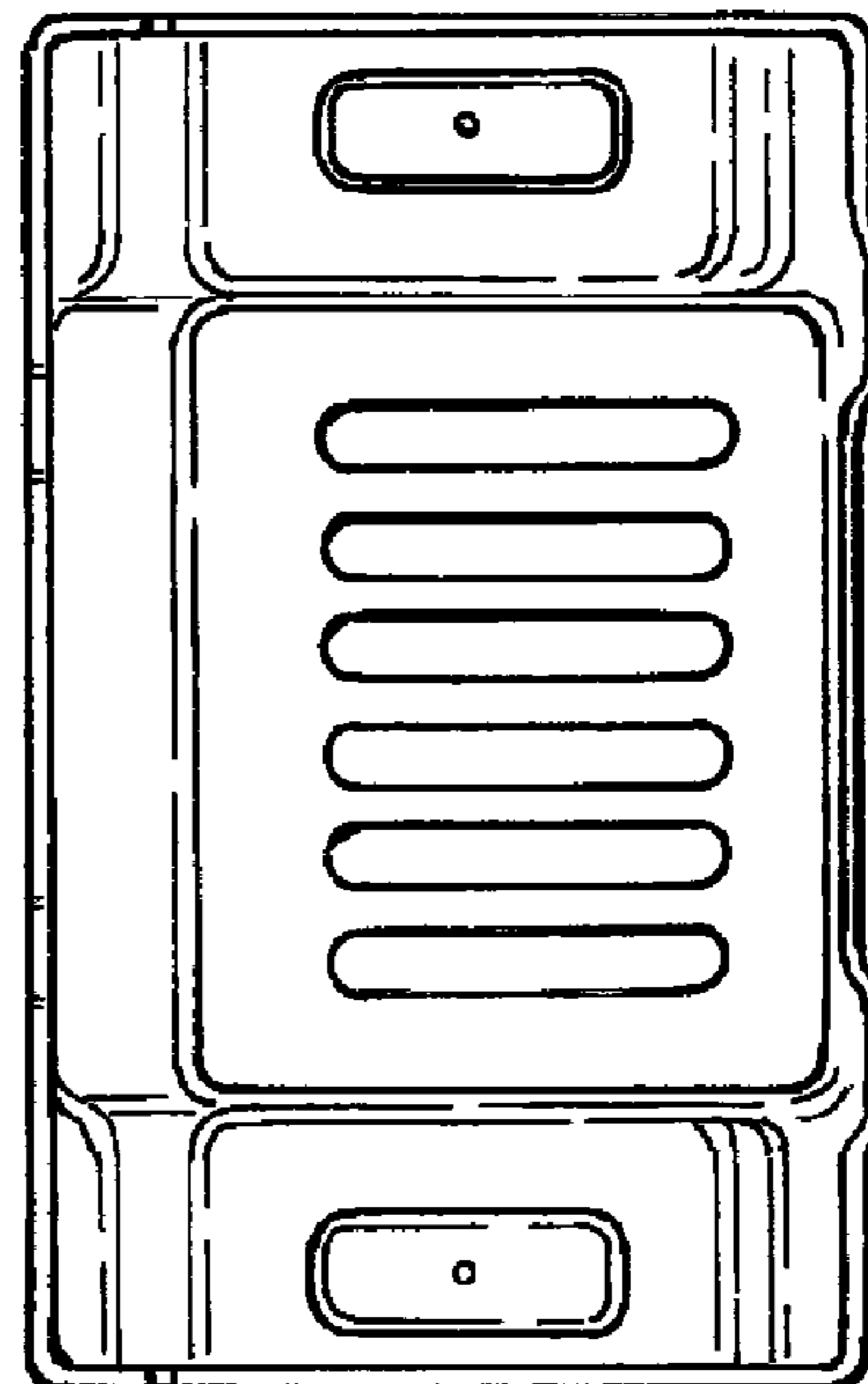


Fig. 6