



US00D608801S

(12) **United States Design Patent**
Evatt et al.

(10) **Patent No.:** **US D608,801 S**
(45) **Date of Patent:** **** Jan. 26, 2010**

(54) **DRILL BIT**

6,015,248 A 1/2000 Elliott et al.
6,227,774 B1 5/2001 Haughton et al.

(75) Inventors: **Thomas Evatt**, Six Mile, SC (US); **Rick Davidian**, Pickens, SC (US)

(73) Assignee: **Techtronic Power Tools Technology Limited** (VG)

(Continued)

FOREIGN PATENT DOCUMENTS

(**) Term: **14 Years**

EP 0127322 12/1984

(21) Appl. No.: **29/340,464**

(22) Filed: **Jul. 20, 2009**

(Continued)

(51) **LOC (9) Cl.** **15-09**

(52) **U.S. Cl.** **D15/139**

(58) **Field of Classification Search** D8/70;
D15/138, 139, 140; 408/211-214, 225-230
See application file for complete search history.

Primary Examiner—Sandra Snapp
Assistant Examiner—Patricia Palasik
(74) *Attorney, Agent, or Firm*—Michael Best & Friedrich LLP

(56) **References Cited**

(57) **CLAIM**

U.S. PATENT DOCUMENTS

We claim the ornamental design for a drill bit, as shown and described.

- 2,627,292 A 2/1953 Kronwall
- 3,920,350 A 11/1975 Southall
- D240,263 S * 6/1976 Porter D15/139
- 3,997,279 A 12/1976 Porter
- 4,286,904 A 9/1981 Porter et al.
- 4,527,449 A 7/1985 Sydlowski et al.
- 4,565,473 A 1/1986 Hosoi
- 4,682,917 A 7/1987 Williams, III et al.
- 4,826,364 A 5/1989 Grunsky
- 4,950,111 A 8/1990 Thomas
- 5,061,127 A 10/1991 Thomas
- 5,193,951 A 3/1993 Schimke
- 5,221,166 A 6/1993 Bothum
- 5,286,143 A 2/1994 Schimke
- 5,291,806 A 3/1994 Bothum
- 5,338,135 A 8/1994 Noguchi et al.
- 5,433,561 A 7/1995 Schimke
- 5,452,970 A 9/1995 Sundstrom et al.
- D372,485 S 8/1996 Stone et al.
- 5,649,796 A 7/1997 Durney
- 5,697,738 A 12/1997 Stone et al.
- 5,700,113 A 12/1997 Stone et al.
- D394,663 S 5/1998 Stone et al.

DESCRIPTION

FIG. 1 is a perspective view of a drill bit embodying the invention.

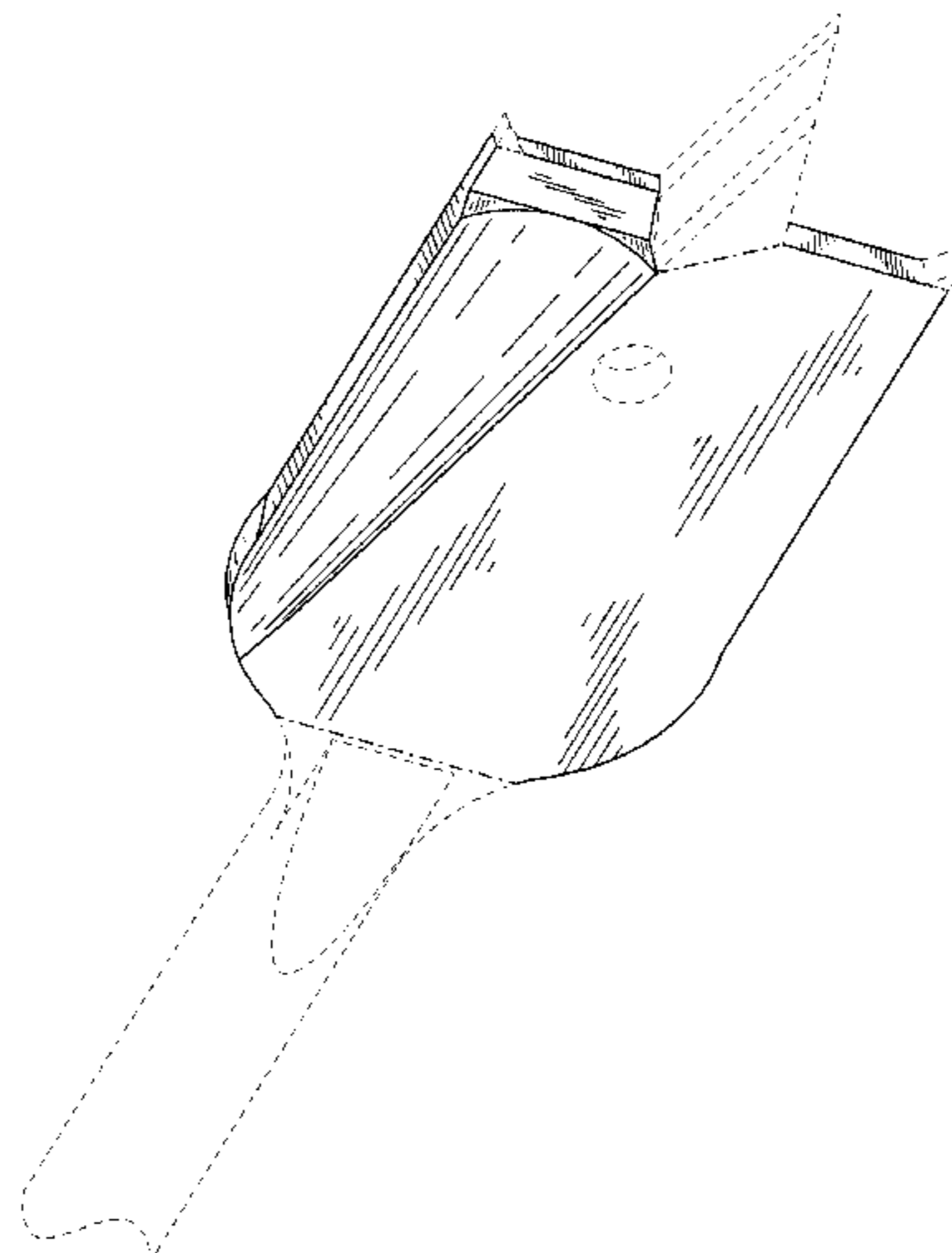
FIG. 2 is a front view of the drill bit shown in FIG. 1, the rear view being substantially the same as the front view.

FIG. 3 is a side view of the drill bit shown in FIG. 1, the opposite side view being substantially the same as the illustrated side view.

FIG. 4 is a top view of the drill bit shown in FIG. 1; and, FIG. 5 is a bottom view of the drill bit shown in FIG. 1.

The elements shown in broken lines are for illustrative purposes only and form no part of the claimed design.

1 Claim, 3 Drawing Sheets



US D608,801 S

Page 2

U.S. PATENT DOCUMENTS

6,290,439 B1 9/2001 Bludis et al.
D455,446 S * 4/2002 Collins D15/139
6,652,202 B2 11/2003 Remke et al.
D507,585 S * 7/2005 Held D15/139
6,957,937 B2 10/2005 Vasudeva
7,140,814 B2 11/2006 Singh et al.
7,246,976 B2 7/2007 Nordlin
7,267,513 B2 * 9/2007 Wiker et al. 408/214
7,473,056 B2 * 1/2009 Durfee 408/225

2004/0052594 A1* 3/2004 Singh 408/211
2006/0083595 A1* 4/2006 Wiker et al. 408/225
2007/0092348 A1 4/2007 Durfee
2008/0101879 A1 5/2008 Durfee
2008/0279647 A1 11/2008 Durfee

FOREIGN PATENT DOCUMENTS

EP 0775560 5/1997

* cited by examiner

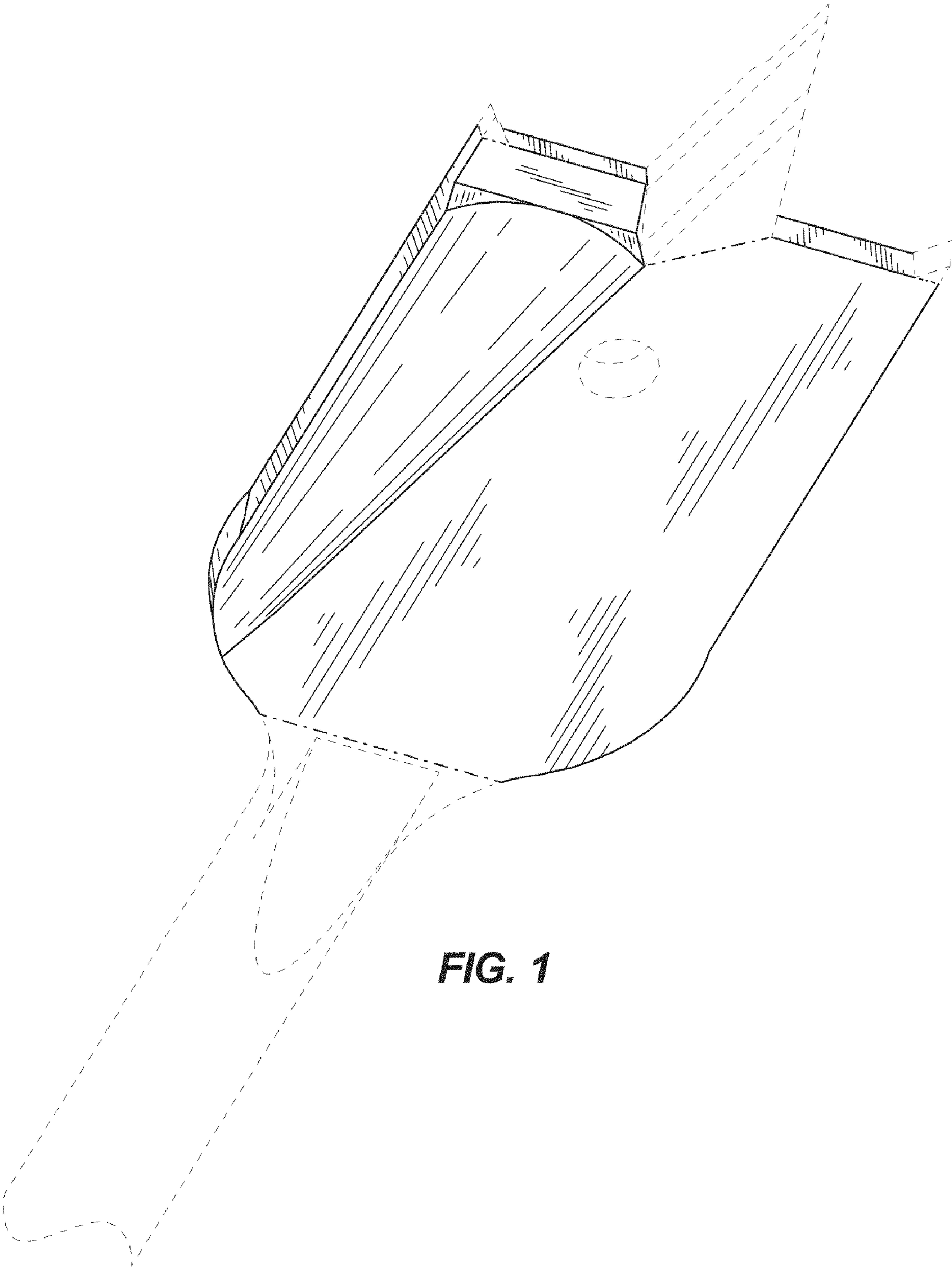


FIG. 1

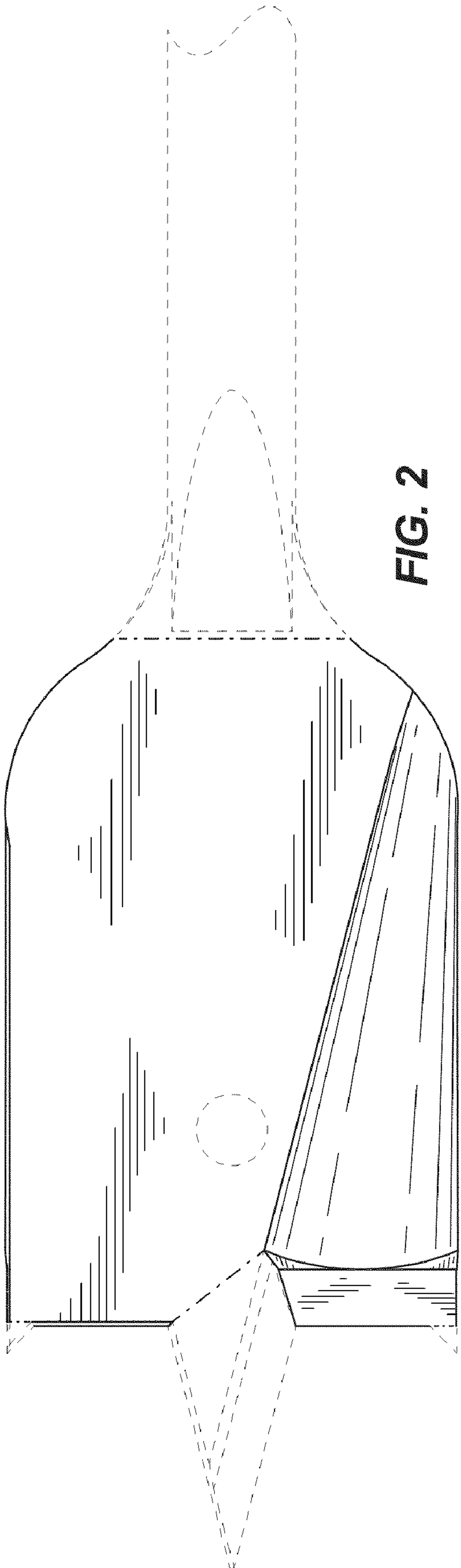


FIG. 2

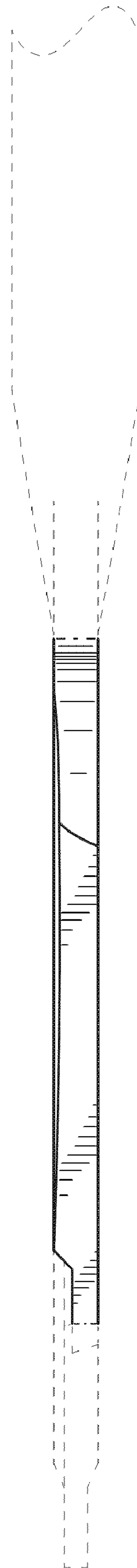


FIG. 3

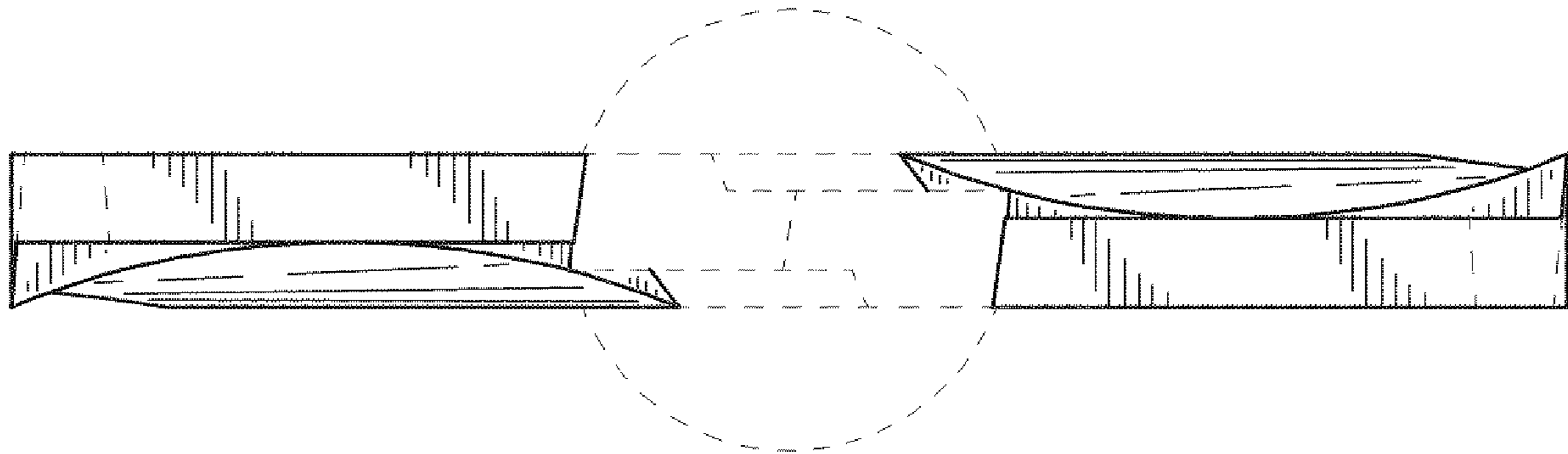


FIG. 4

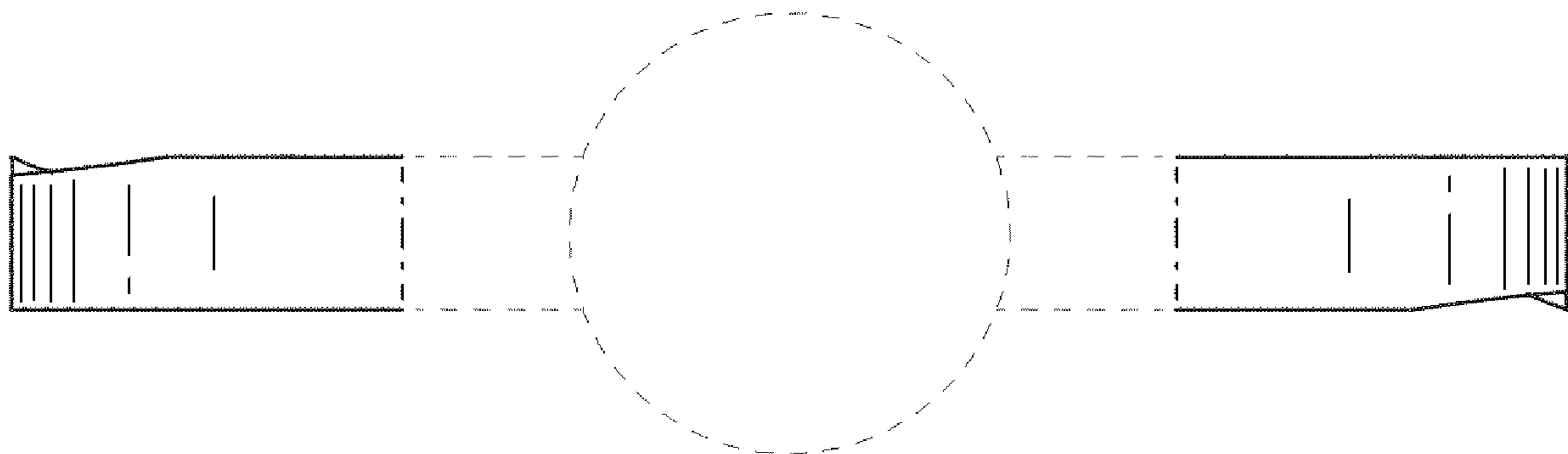


FIG. 5