

US00D608800S

(12) **United States Design Patent**
Ettlin

(10) **Patent No.:** **US D608,800 S**

(45) **Date of Patent:** **** *Jan. 26, 2010**

(54) **MIXER HAVING A COUPLING PORTION**

(75) Inventor: **Josef Ettlin**, Eichberg (CH)

(73) Assignee: **Sulzer Mixpac AG**, Rotkreuz (CH)

(*) Notice: This patent is subject to a terminal disclaimer.

(**) Term: **14 Years**

(21) Appl. No.: **29/329,301**

(22) Filed: **Dec. 11, 2008**

(30) **Foreign Application Priority Data**

Jun. 12, 2008 (EM) 000960802

(51) **LOC (9) Cl.** **15-09**

(52) **U.S. Cl.** **D15/138**

(58) **Field of Classification Search** D8/382;
D15/138, 139, 140, 147; D16/235; 222/1,
222/129.1, 145.5, 459; 239/296, 398, 399,
239/400, 414, 417.5, 418, 424.5, 428, 429,
239/432, 433, 434.5, 488, 500
See application file for complete search history.

(56) **References Cited**

U.S. PATENT DOCUMENTS

- 2,296,718 A * 9/1942 Kyprie 239/315
- 2,539,315 A * 1/1951 Murphy 239/404
- 2,620,108 A * 12/1952 Copping 222/133
- 3,051,455 A * 8/1962 Magester 366/172.1
- 3,770,208 A * 11/1973 Mueller 239/417.3
- 4,690,333 A * 9/1987 Johansson 239/434.5
- 4,907,725 A * 3/1990 Durham 222/129.1
- 5,429,308 A * 7/1995 Brown 239/414
- 5,570,822 A * 11/1996 LeMarbe et al. 222/459

- 5,664,733 A * 9/1997 Lott 239/429
- D417,459 S * 12/1999 Shintani et al. D15/144
- 6,021,961 A * 2/2000 Brown 239/398
- D474,788 S * 5/2003 Molnar et al. D15/144
- D517,577 S * 3/2006 Conway et al. D15/144
- 7,032,843 B1 * 4/2006 Johnson et al. 239/488
- D521,035 S * 5/2006 de Leeuw et al. D15/144
- 7,051,954 B2 * 5/2006 Gerstner 239/398
- D584,751 S * 1/2009 Schreck D15/135
- 2004/0035952 A1 * 2/2004 Gerstner 239/433
- 2007/0131715 A1 * 6/2007 Minard et al. 222/145.5
- 2007/0278327 A1 * 12/2007 Wolfe 239/398

* cited by examiner

Primary Examiner—Sandra Snapp

Assistant Examiner—Patricia Palasik

(74) *Attorney, Agent, or Firm*—Townsend and Townsend and Crew, LLP

(57) **CLAIM**

The ornamental design for a mixer having a coupling portion, as shown and described.

DESCRIPTION

FIG. 1 is a perspective view of a mixer having a coupling portion showing my new design;

FIG. 2 is a front elevational view thereof;

FIG. 3 is a rear elevational view thereof;

FIG. 4 is a left side elevational view thereof;

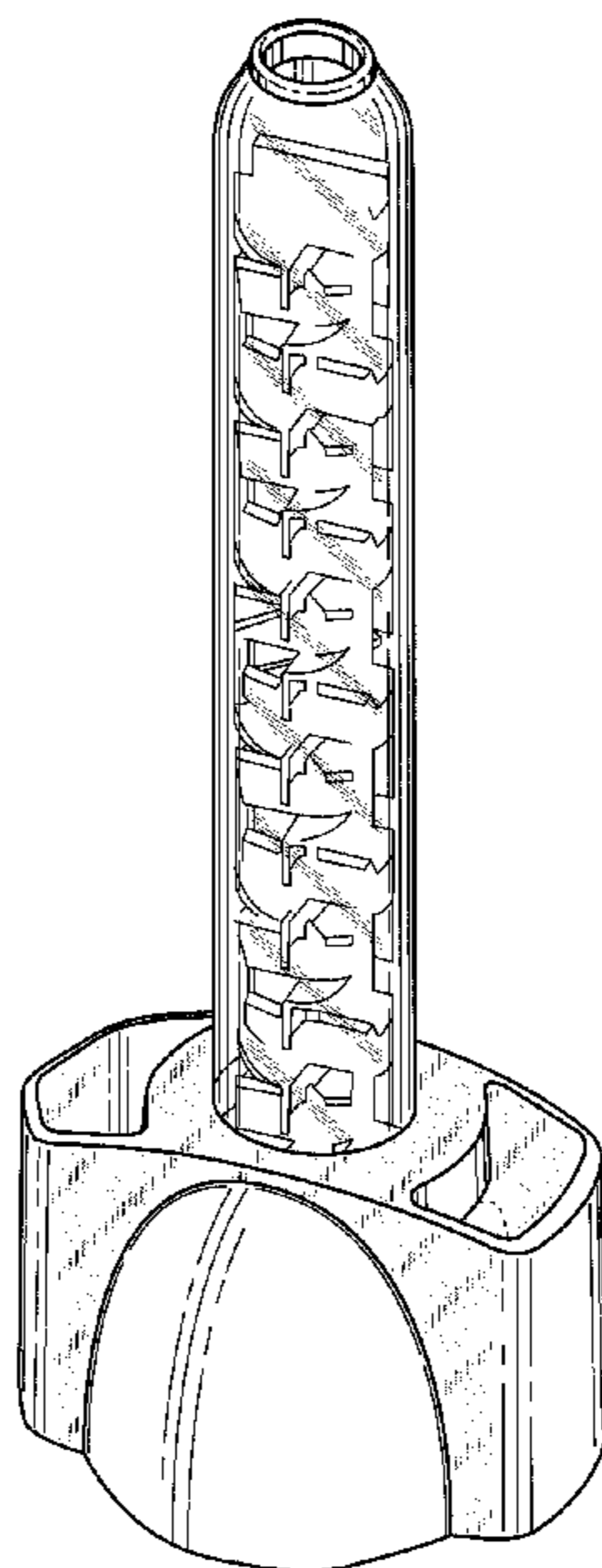
FIG. 5 is a right side elevational view thereof;

FIG. 6 is a top plan view thereof; and,

FIG. 7 is a bottom plan view thereof.

The broken lines in the drawings depict the boundaries of the claimed design and form no part thereof.

1 Claim, 4 Drawing Sheets



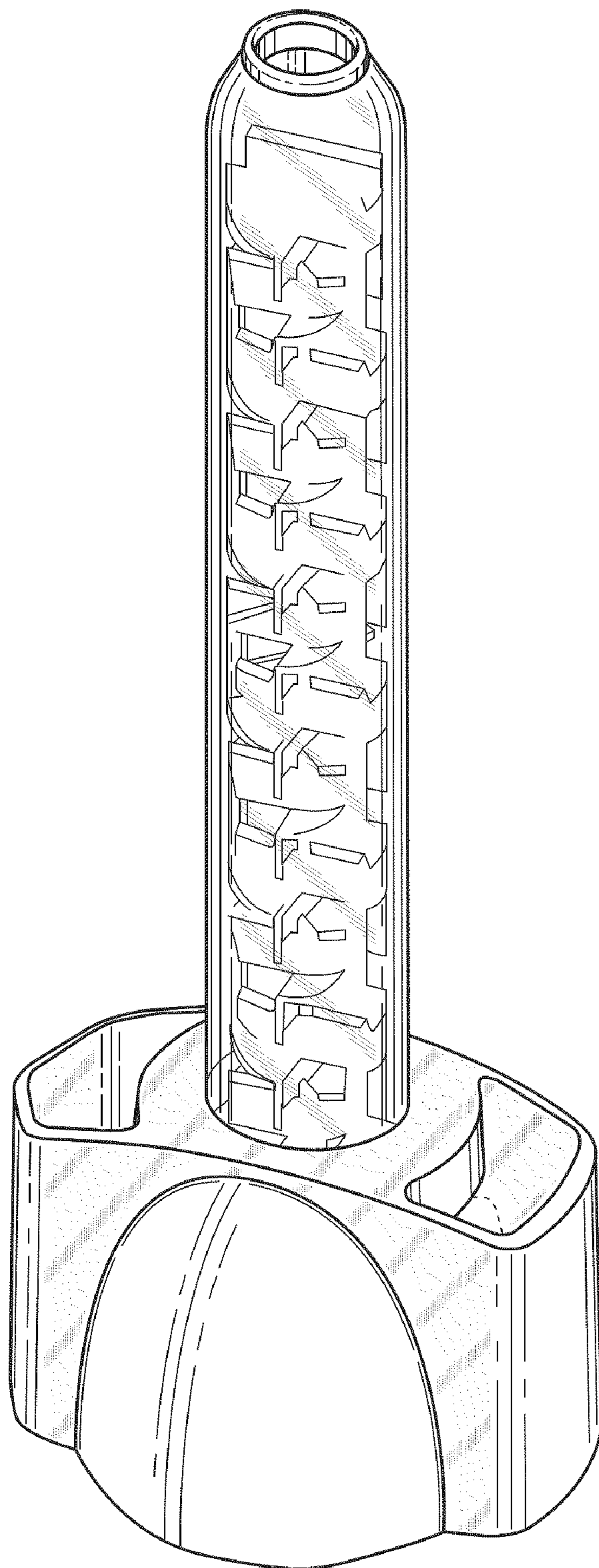


FIG. 1

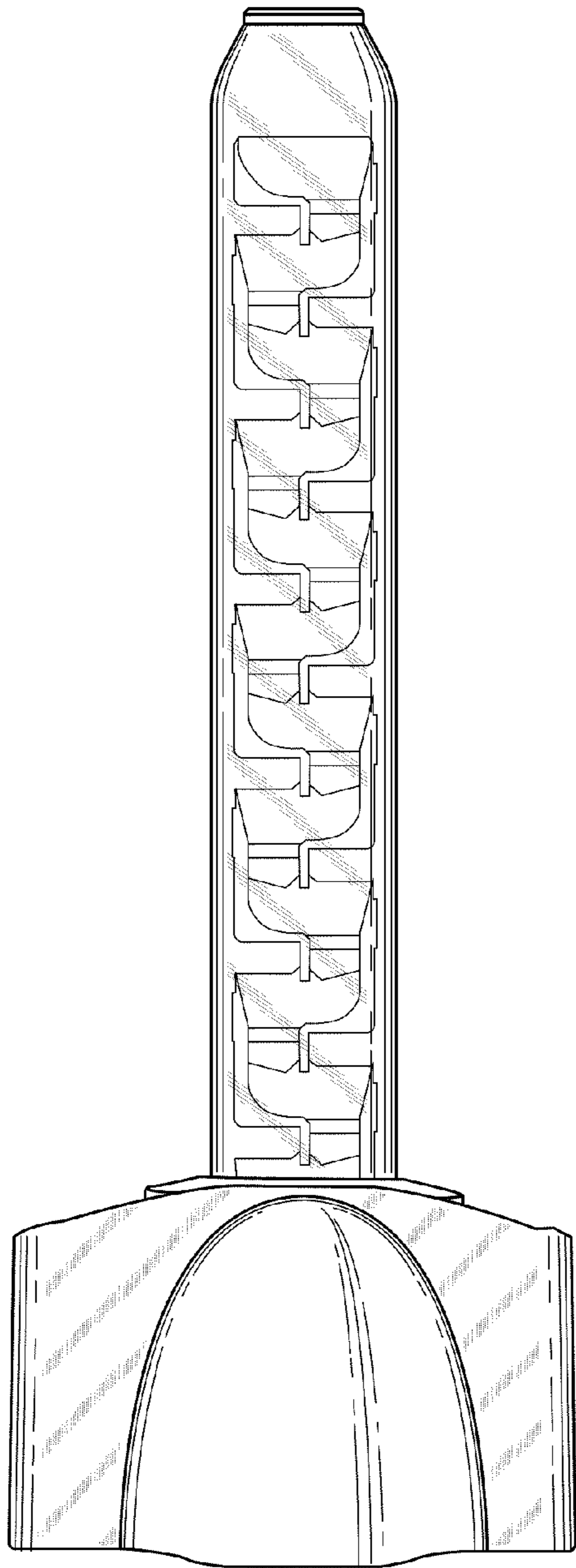


FIG. 2

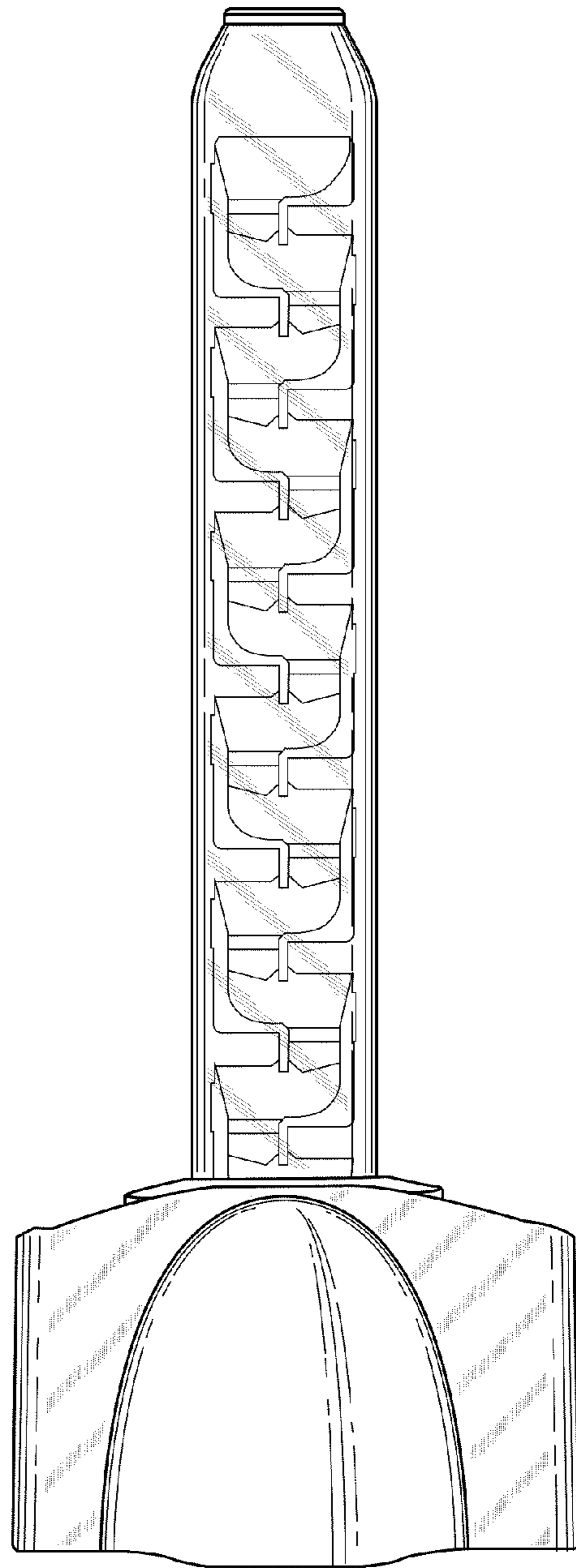


FIG. 3

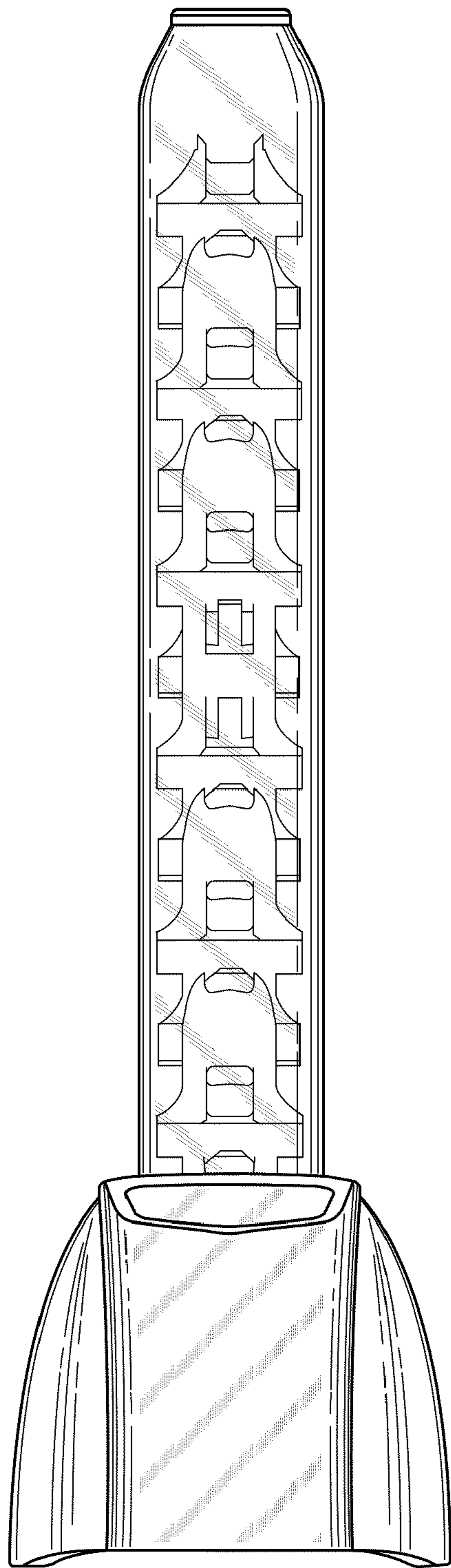


FIG. 4

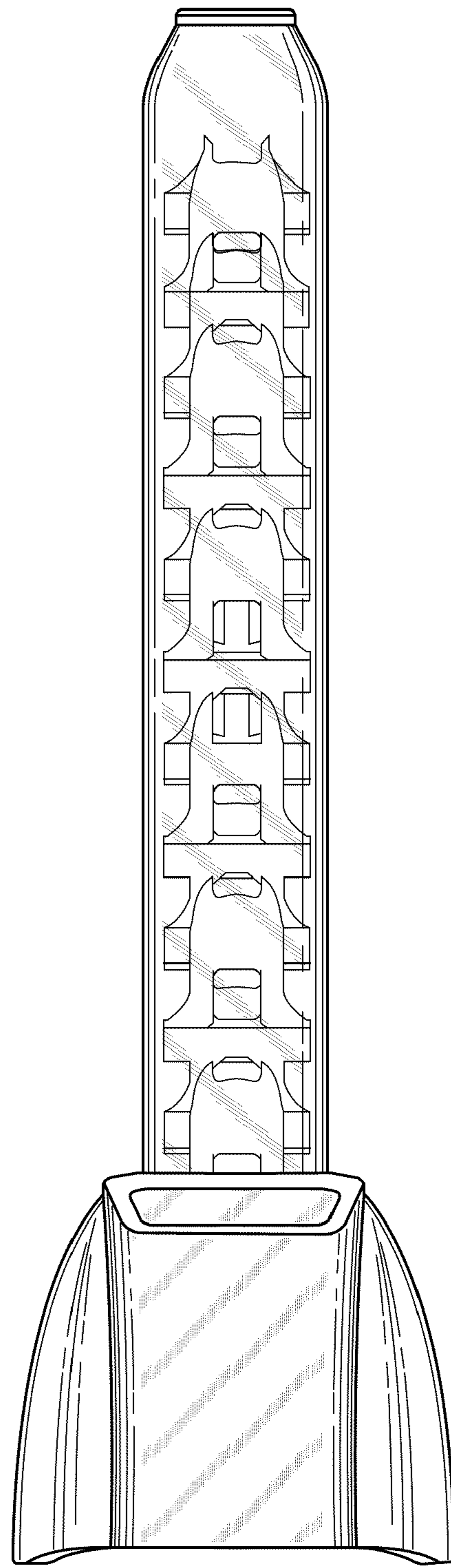


FIG. 5

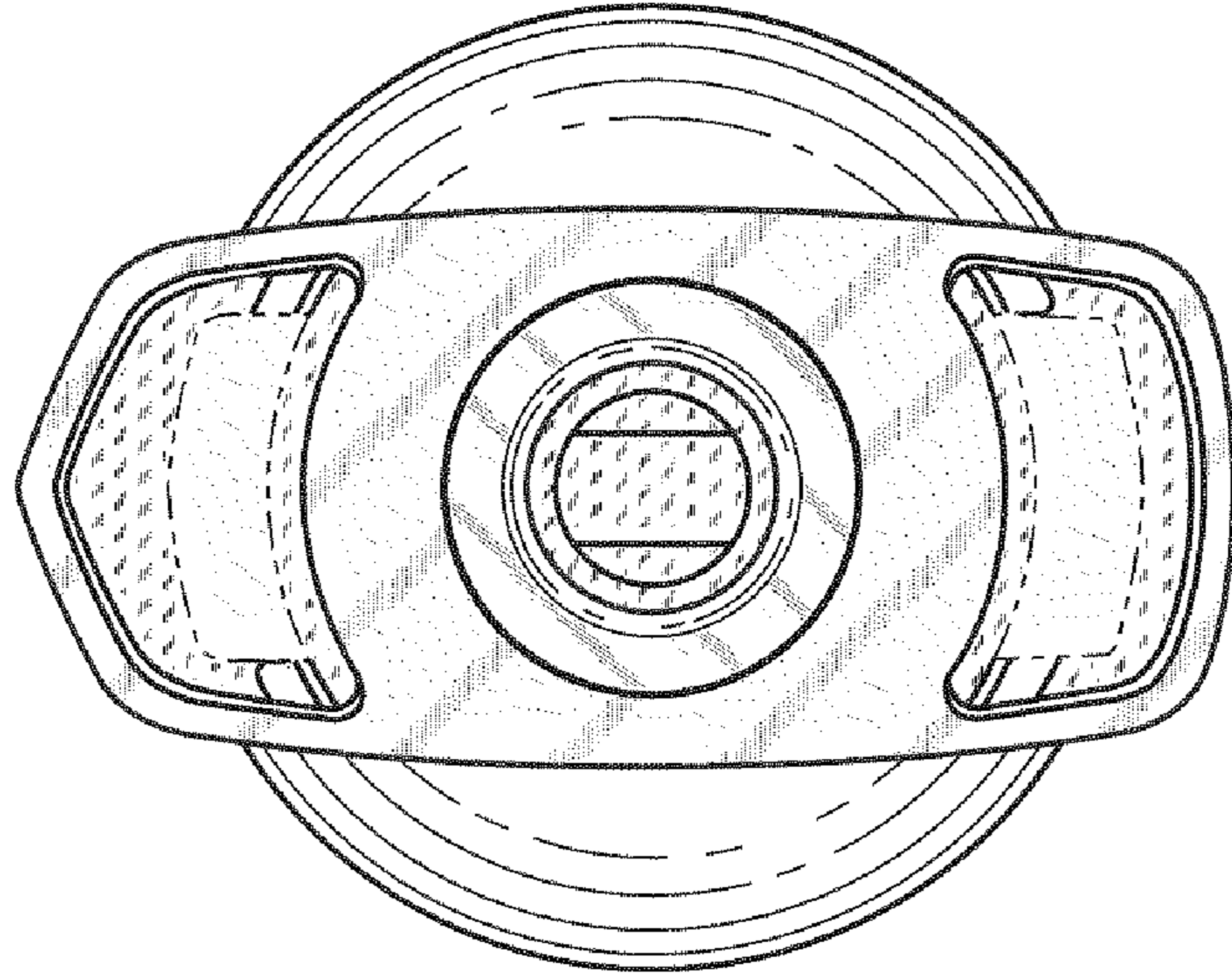


FIG. 6

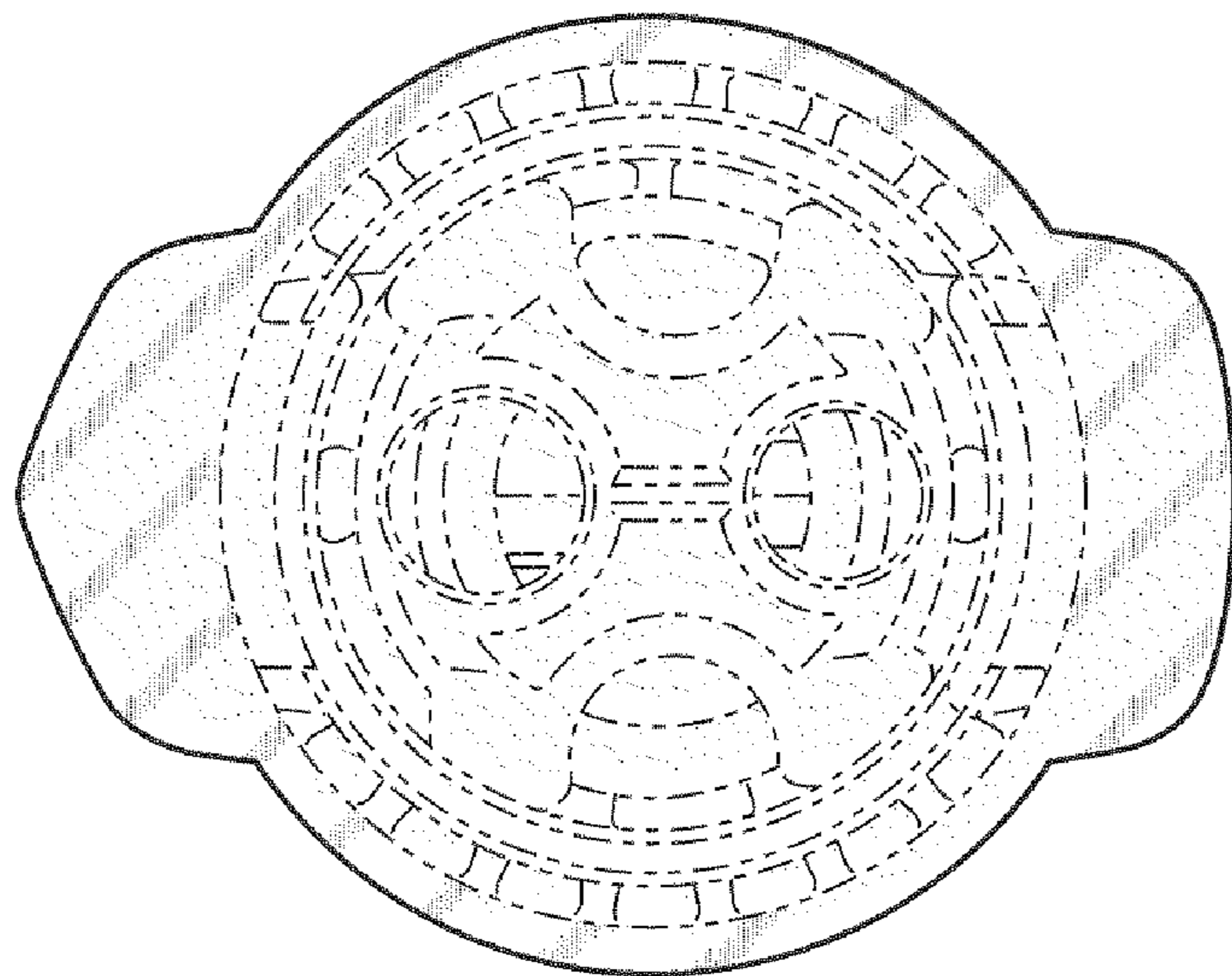


FIG. 7