



US00D608798S

(12) **United States Design Patent**
Linder et al.

(10) **Patent No.:** **US D608,798 S**
(45) **Date of Patent:** **** Jan. 26, 2010**

(54) **COMBINED PRODUCT DISPLAY AND REFRIGERATOR**

(75) Inventors: **Nathan W. Linder**, West Covina, CA (US); **Leo Wills**, San Dimas, CA (US)

(73) Assignee: **Innovative Displayworks, Inc.**, San Dimas, CA (US)

(**) Term: **14 Years**

(21) Appl. No.: **29/331,703**

(22) Filed: **Jan. 30, 2009**

(51) **LOC (9) Cl.** **15-07**

(52) **U.S. Cl.** **D15/81**

(58) **Field of Classification Search** D15/79, D15/81, 85; D6/470, 472, 478, 479; 62/3.6, 62/3.62, 3.63, 3.64, 246, 248, 231; 312/116, 312/128, 236, 400-408

See application file for complete search history.

(56) **References Cited**

U.S. PATENT DOCUMENTS

- D243,985 S * 4/1977 Brown D15/85
- D265,316 S * 7/1982 Trulaske D15/85
- D273,298 S * 4/1984 Trulaske D15/81
- D386,502 S * 11/1997 Sholl D15/79
- D510,367 S * 10/2005 Yamashita et al. D15/79

- D512,081 S * 11/2005 Chang D15/81
- D514,600 S * 2/2006 Yamashita et al. D15/79
- D585,911 S * 2/2009 Miyabayashi et al. D15/79
- D589,536 S * 3/2009 Seki D15/81

* cited by examiner

Primary Examiner—Stella M Reid

Assistant Examiner—Shanda C Hill

(74) *Attorney, Agent, or Firm*—Stetina Brunda Garred & Brucker

(57) **CLAIM**

The ornamental design for a combined product display and refrigerator, as shown and described.

DESCRIPTION

FIG. 1 is a perspective view of a combined product display and refrigerator showing my new design, the refrigerator depicted in phantom and forming no part of the claimed design;

FIG. 2 is a top view thereof;

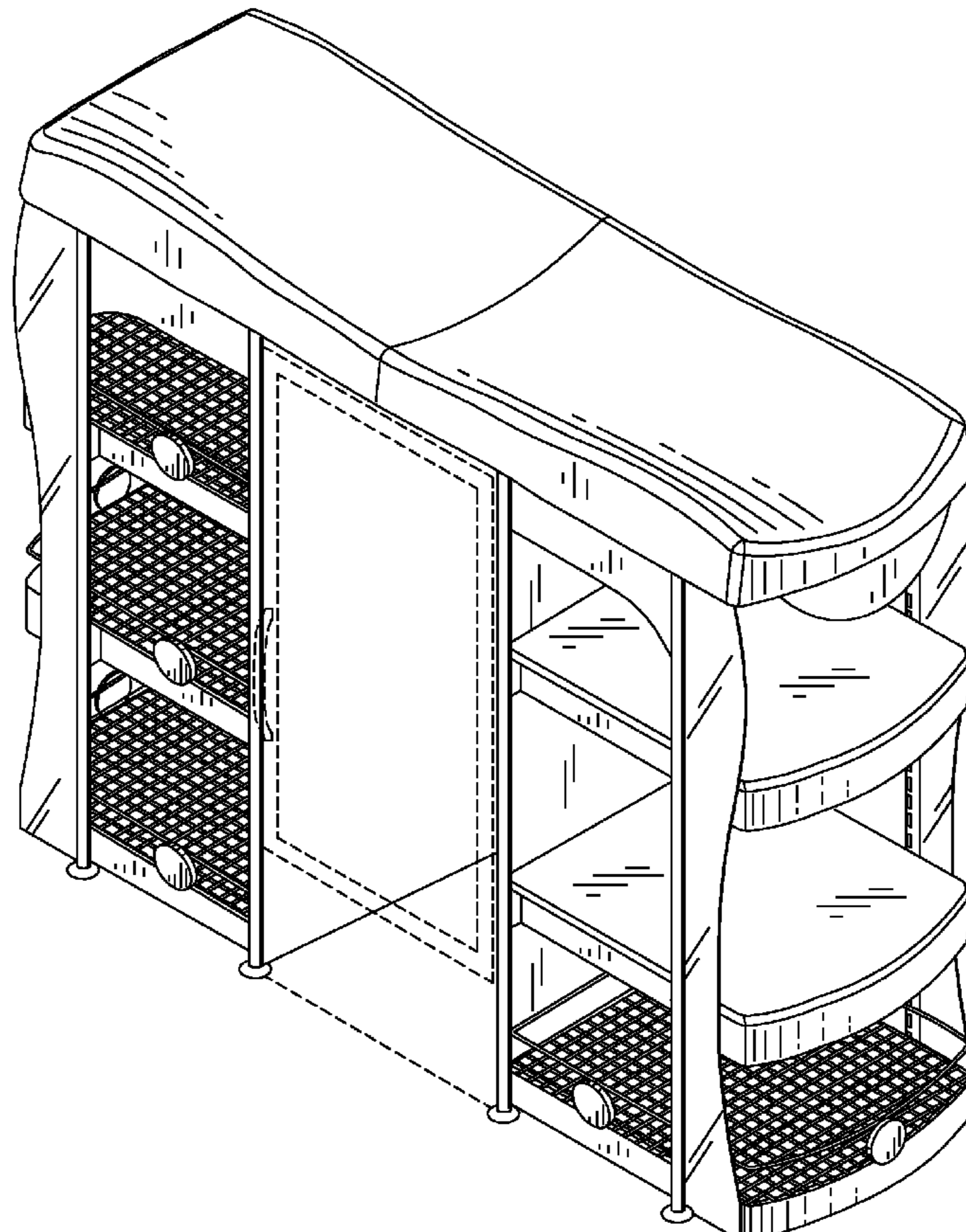
FIG. 3 is a frontal view thereof, the rear view being a mirror image;

FIG. 4 is a left side view thereof;

FIG. 5 is a right side view thereof; and,

FIG. 6 is a bottom view thereof.

1 Claim, 3 Drawing Sheets



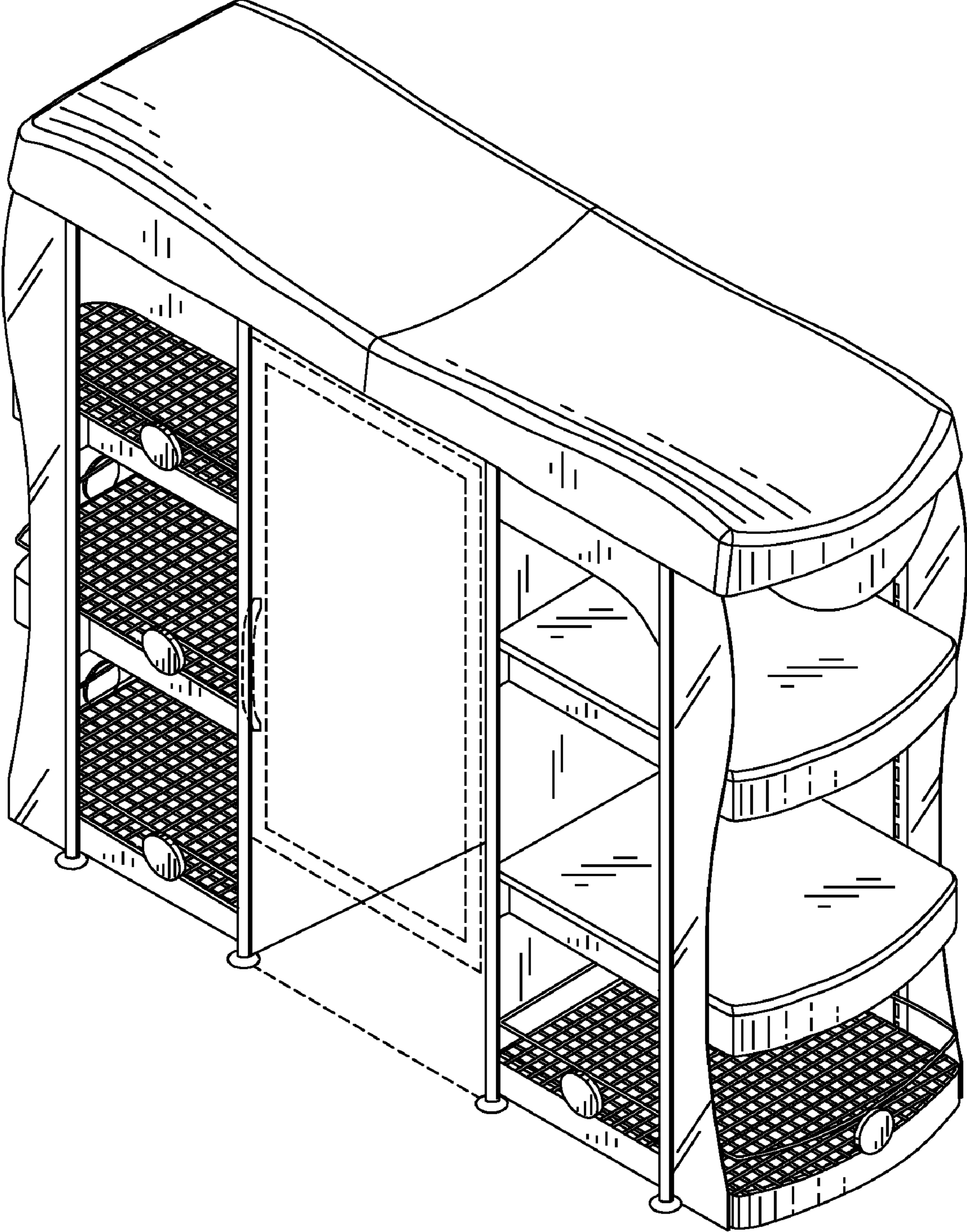


Fig. 1

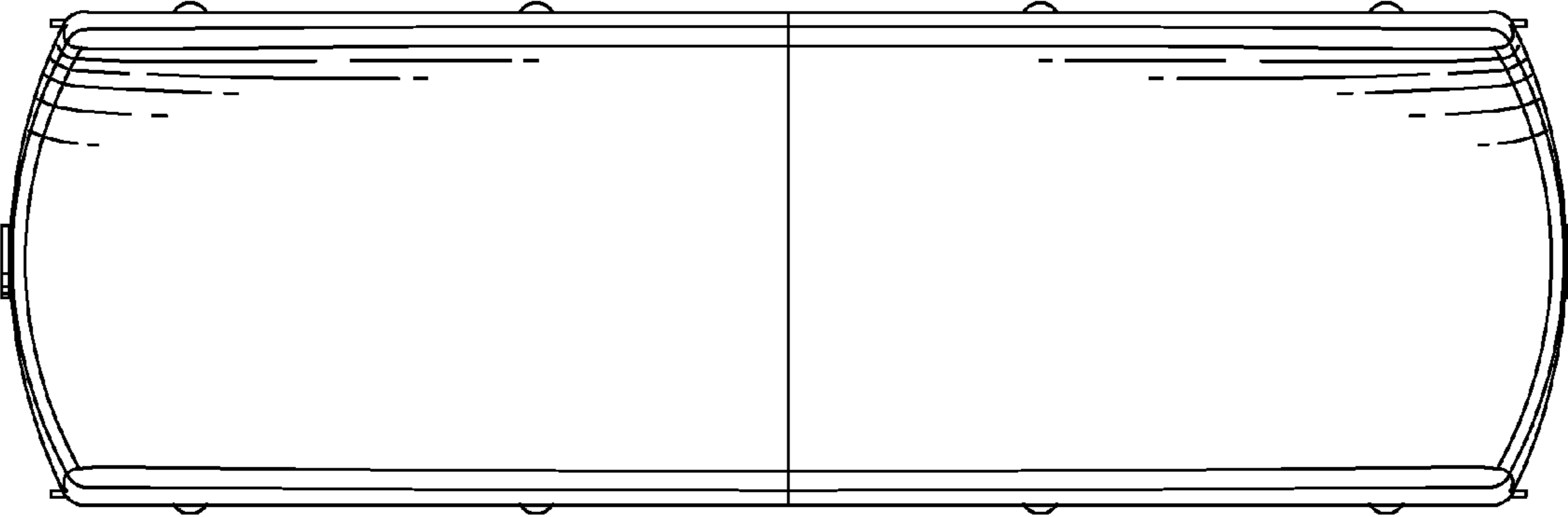


Fig. 2

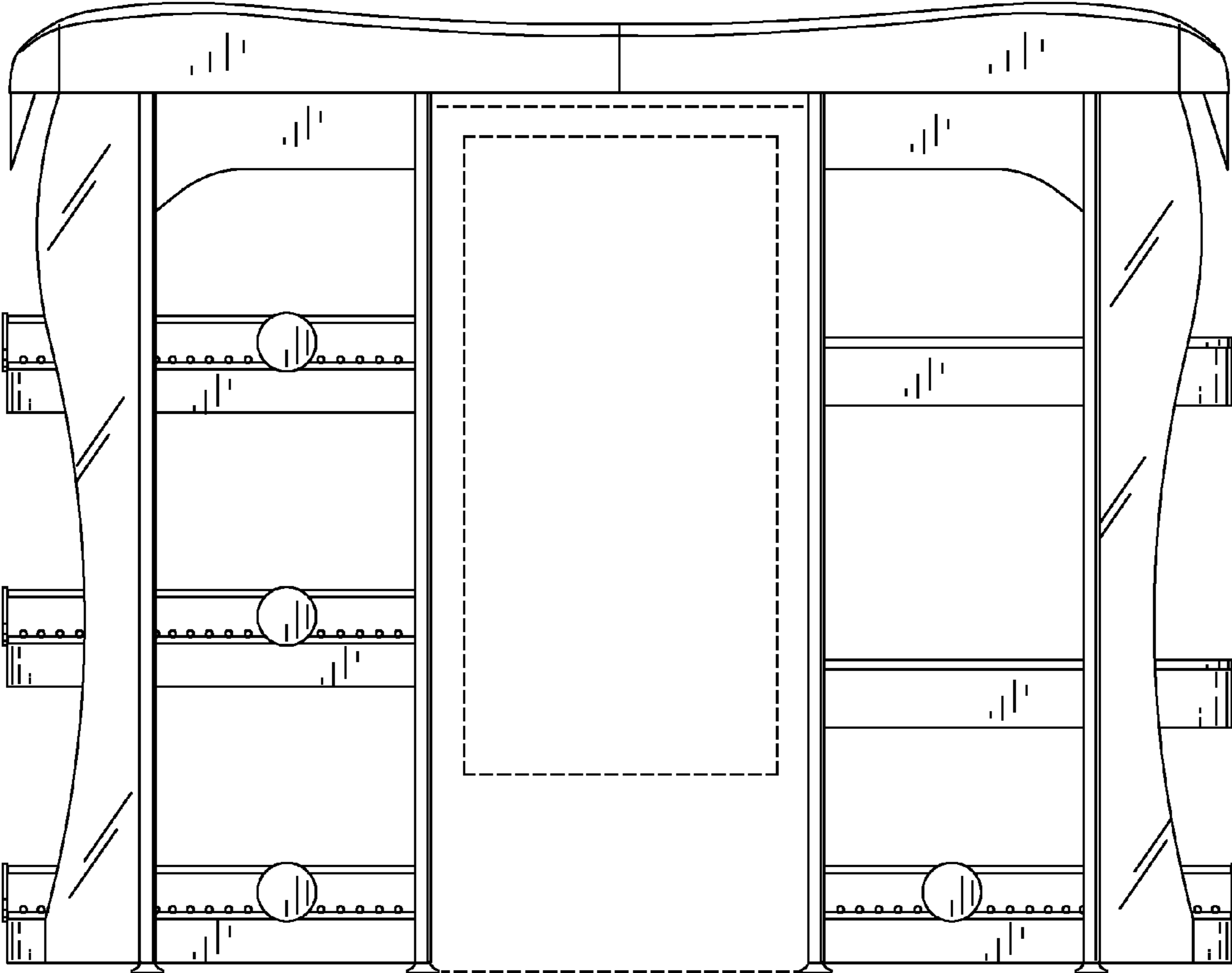


Fig. 3

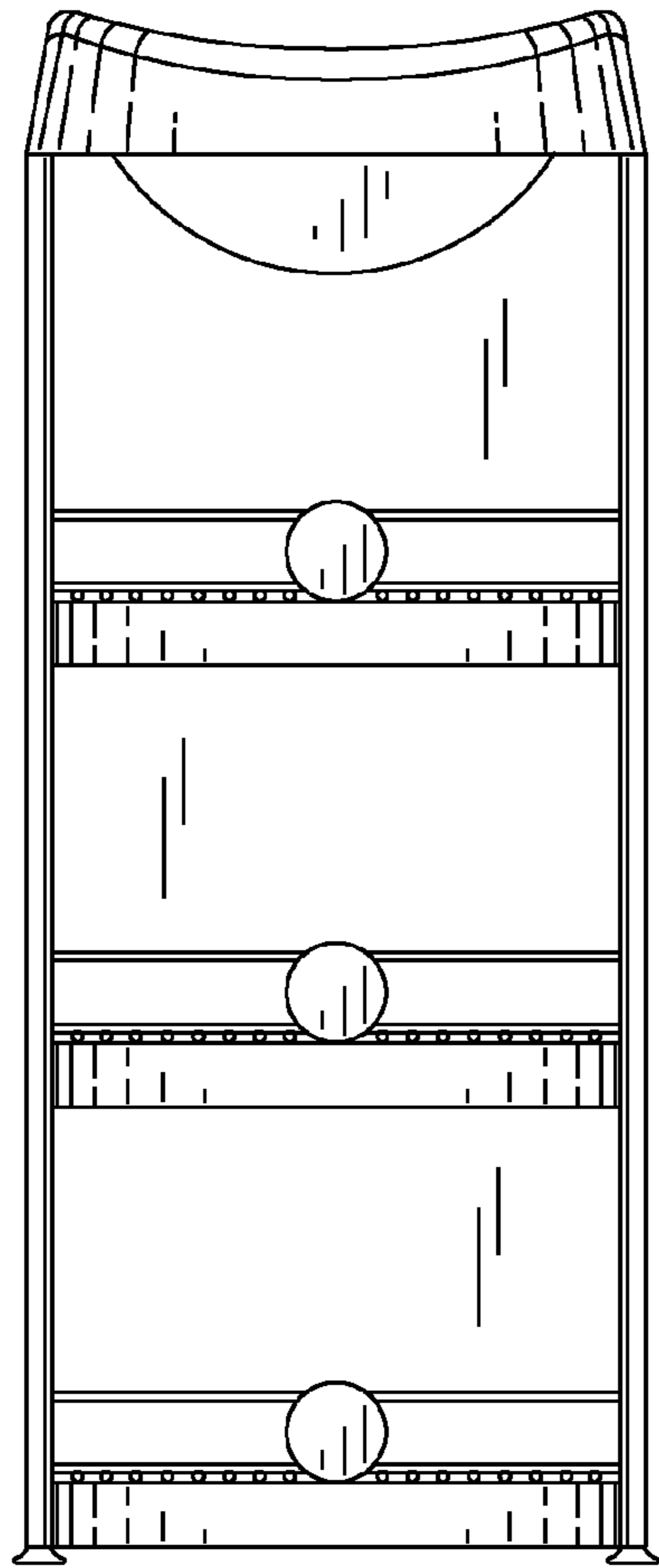


Fig. 4

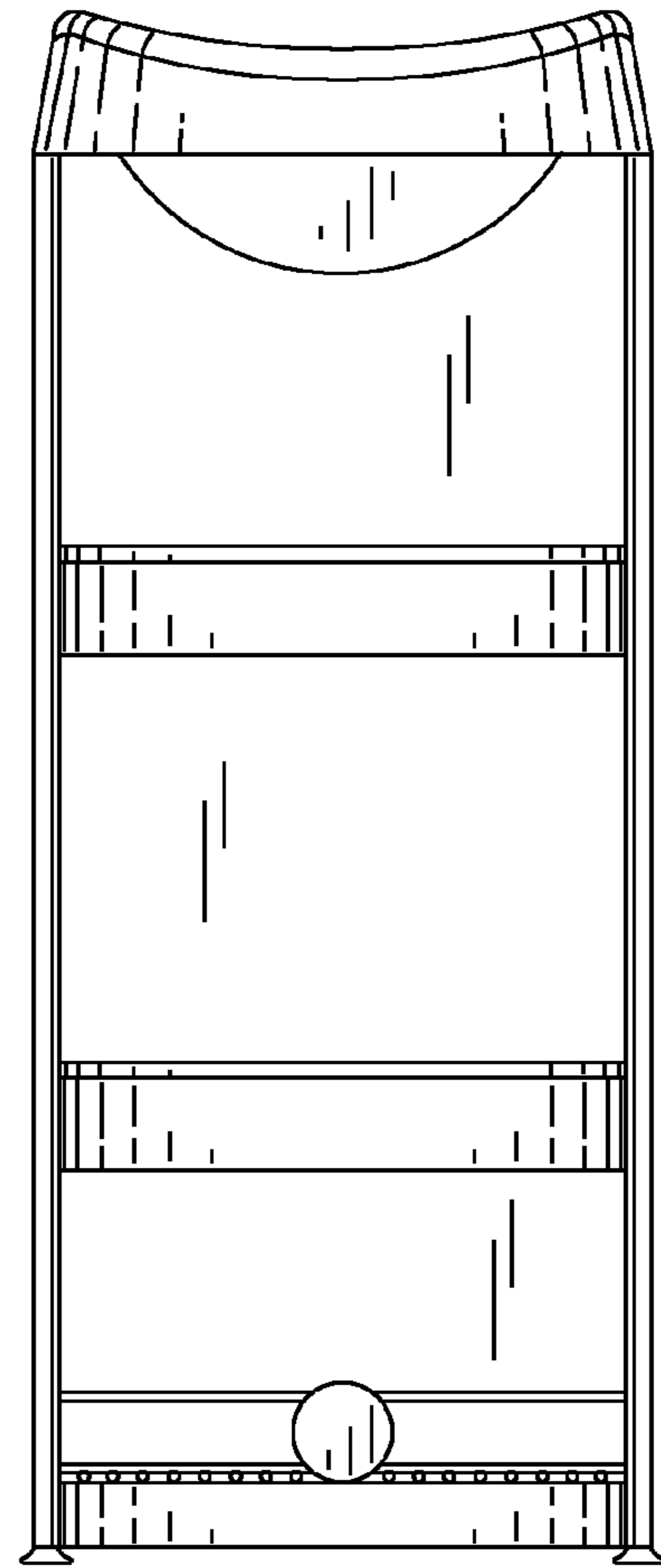


Fig. 5

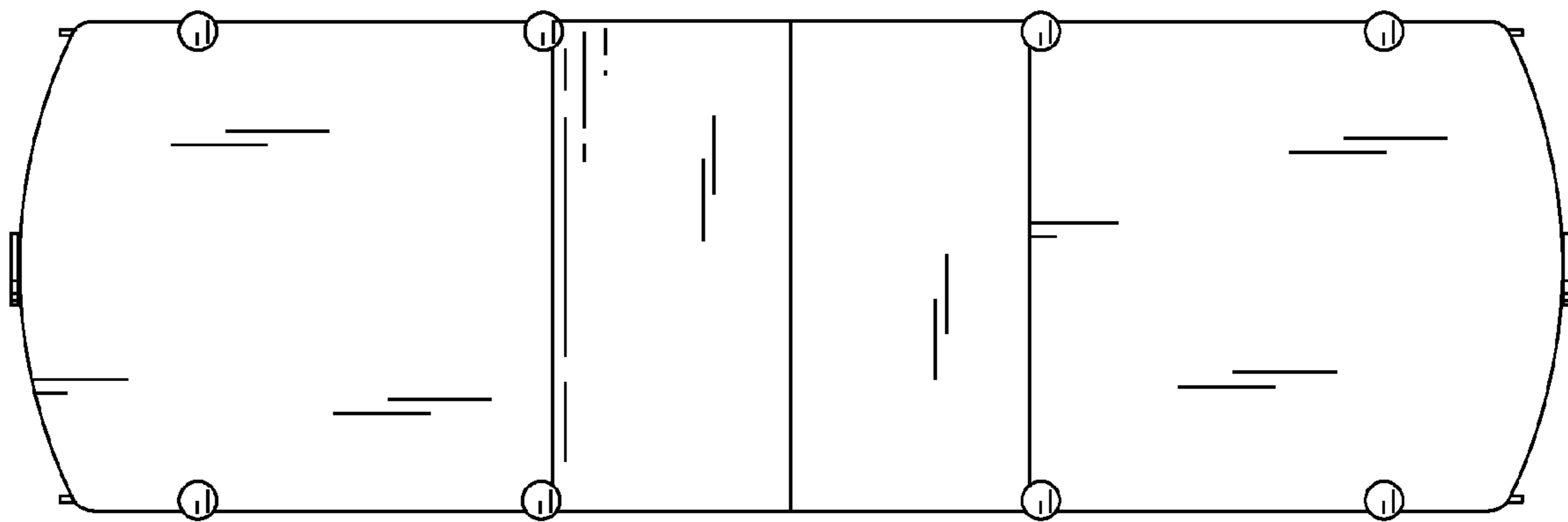


Fig. 6