



US00D608797S

(12) **United States Design Patent**
Peterson

(10) **Patent No.:** **US D608,797 S**
(45) **Date of Patent:** **** Jan. 26, 2010**

(54) **GUARD FOR A BEVELED EDGER**
(75) Inventor: **Brent Peterson**, Buffalo Grove, IL (US)
(73) Assignee: **Echo, Inc.**, Lake Zurich, IL (US)
(**) Term: **14 Years**

(21) Appl. No.: **29/314,148**
(22) Filed: **Mar. 6, 2009**

(51) **LOC (9) Cl.** **15-03**
(52) **U.S. Cl.** **D15/11; D15/17**
(58) **Field of Classification Search** D15/11,
D15/17, 28; D8/8, 9; 172/1, 13, 15, 112;
56/17.4, 256, DIG. 20, DIG. 24
See application file for complete search history.

D475,256 S * 6/2003 Yamane et al. D8/8
6,688,404 B2 * 2/2004 Uhl et al. 172/15
6,926,090 B2 * 8/2005 Sergyeyenko et al. 172/15
2003/0070820 A1 * 4/2003 Sergyeyenko et al. 172/17
2003/0192710 A1 * 10/2003 Sergyeyenko et al. 172/1
2005/0183222 A1 * 8/2005 Grohe 15/49.1
2005/0241837 A1 * 11/2005 Notaras et al. 172/17

* cited by examiner

Primary Examiner—Stella M Reid
Assistant Examiner—Mark A Goodwin
(74) *Attorney, Agent, or Firm*—Wood, Phillips, Katz, Clark & Mortimer

(57) **CLAIM**

The ornamental design for a guard for a beveled edger, as shown and described.

(56) **References Cited**
U.S. PATENT DOCUMENTS

2,708,335	A *	5/1955	Newton	56/12.7
2,724,230	A *	11/1955	Burmeister	56/17.4
3,407,579	A *	10/1968	Decker	56/256
3,690,384	A *	9/1972	Patterson	172/15
5,065,567	A *	11/1991	Wessel et al.	56/13.7
5,383,330	A *	1/1995	Yokocho et al.	56/256
5,490,371	A *	2/1996	Potucek, III	56/17.2
6,062,318	A *	5/2000	Andrews	172/15
6,116,350	A *	9/2000	Notaras et al.	172/15
6,179,059	B1 *	1/2001	Notaras et al.	172/17
6,263,975	B1 *	7/2001	Rosa et al.	172/15
6,289,660	B1 *	9/2001	Martinez	56/17.4
6,464,015	B1 *	10/2002	Jones	172/15

DESCRIPTION

FIG. 1 is a front, top and left side perspective view of a guard for a beveled edger showing my new design;
FIG. 2 is a left side elevation view thereof;
FIG. 3 is a top plan view thereof;
FIG. 4 is a right side elevation view thereof;
FIG. 5 is a bottom plan view thereof;
FIG. 6 is a front elevation view thereof; and,
FIG. 7 is a rear elevation view thereof.

The portions of the guard for a beveled edger shown in dotted lines do not constitute a part of the claimed design.

1 Claim, 4 Drawing Sheets

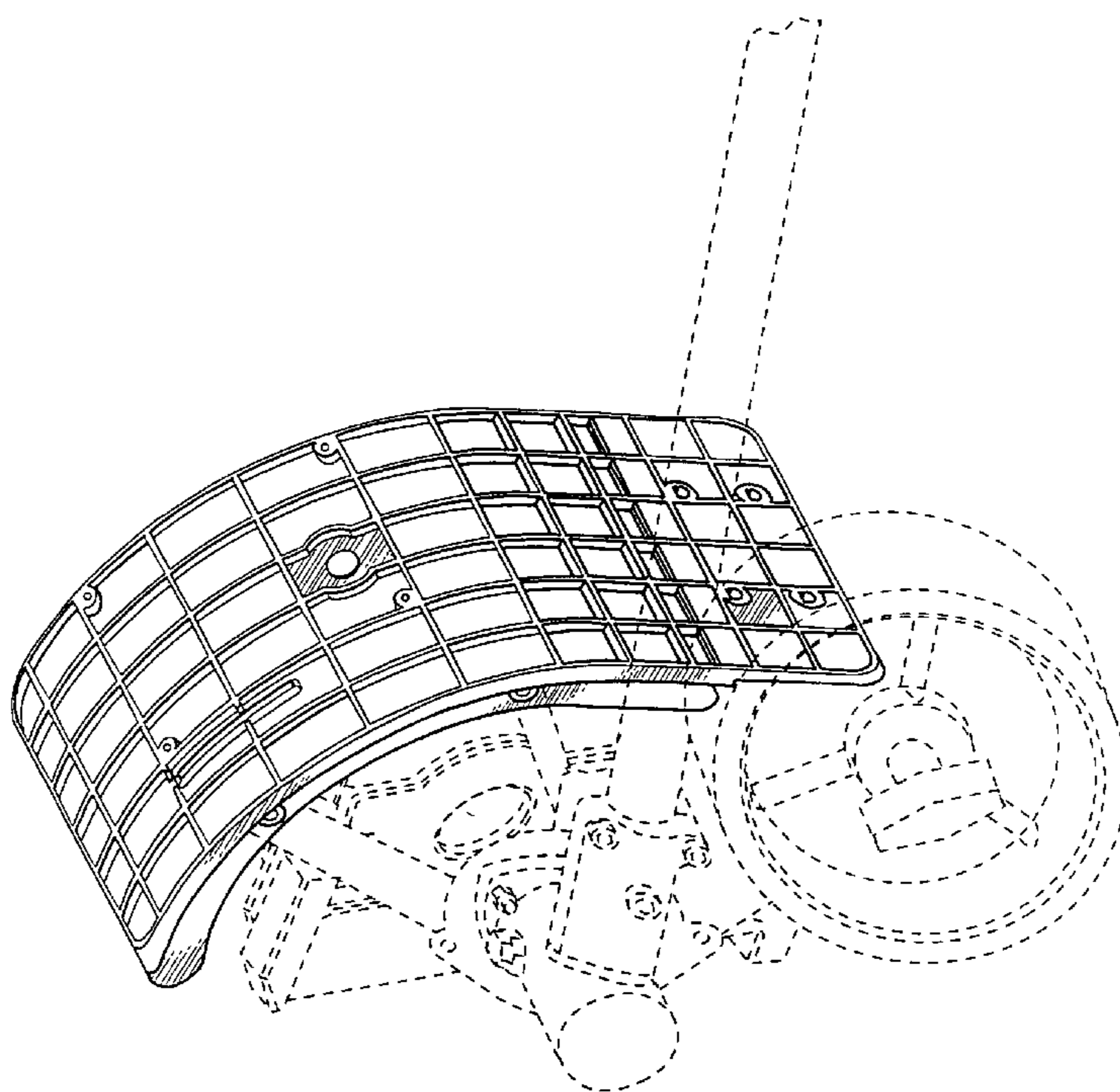


Fig. 1

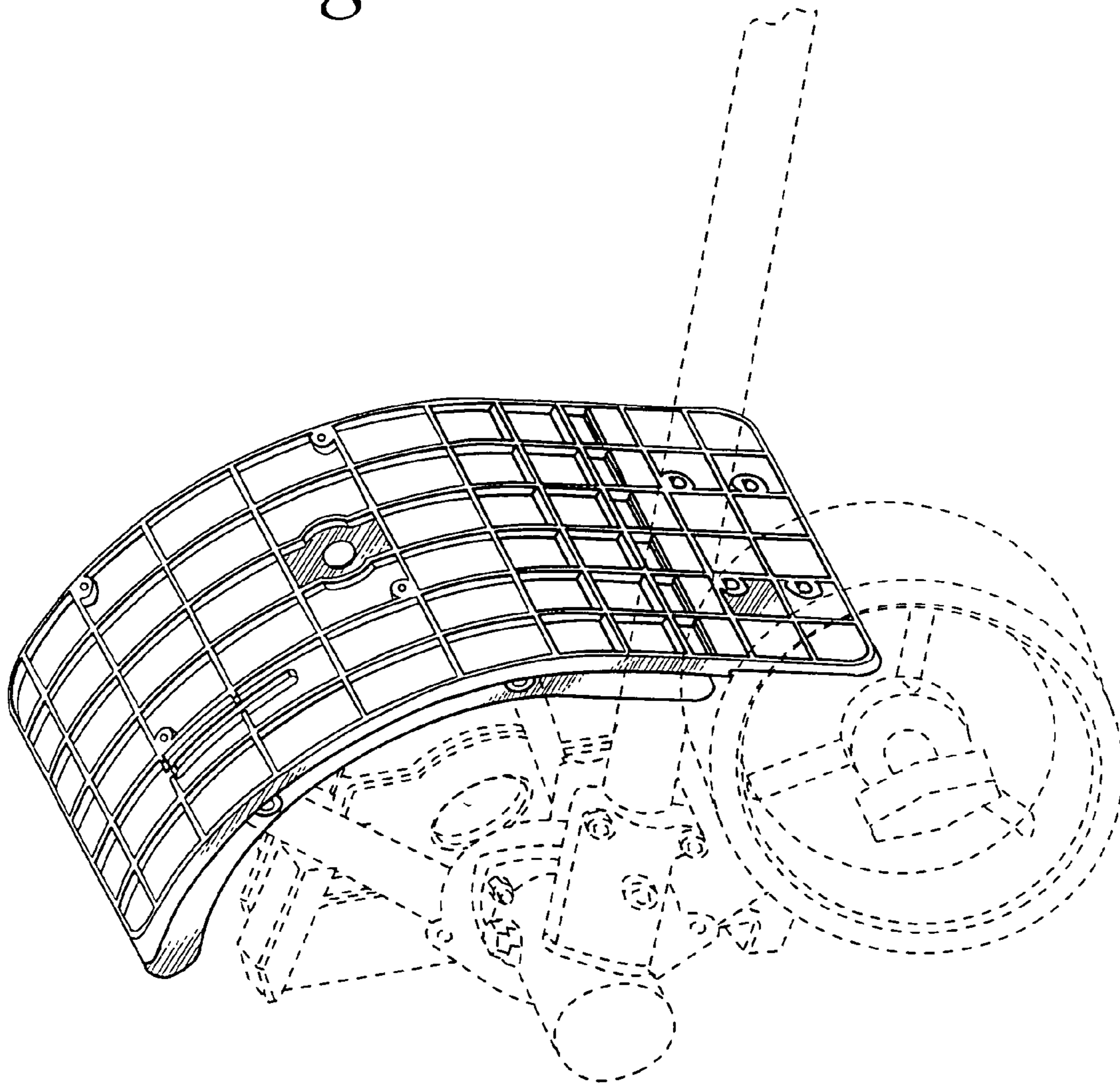


Fig. 2

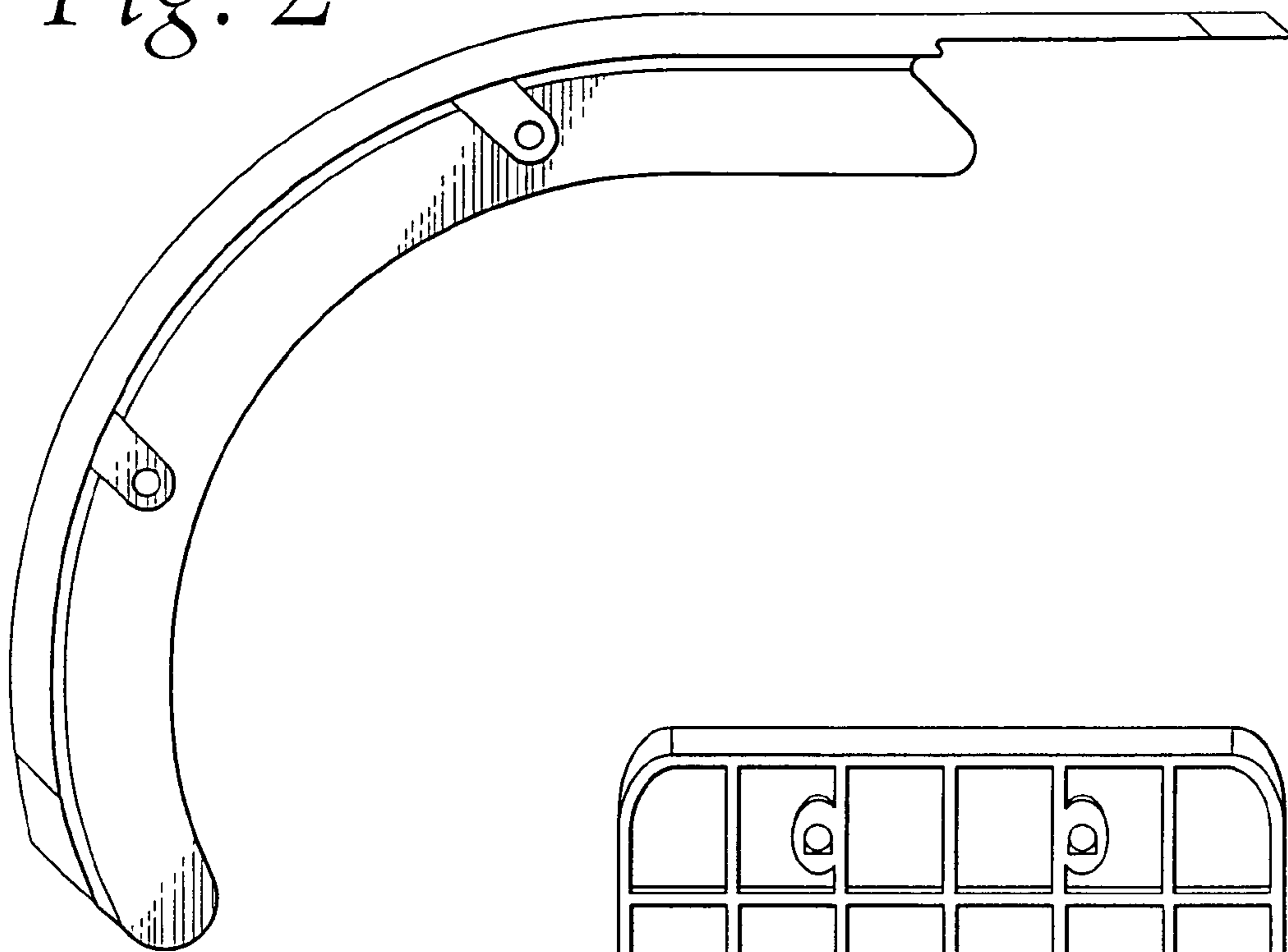


Fig. 3

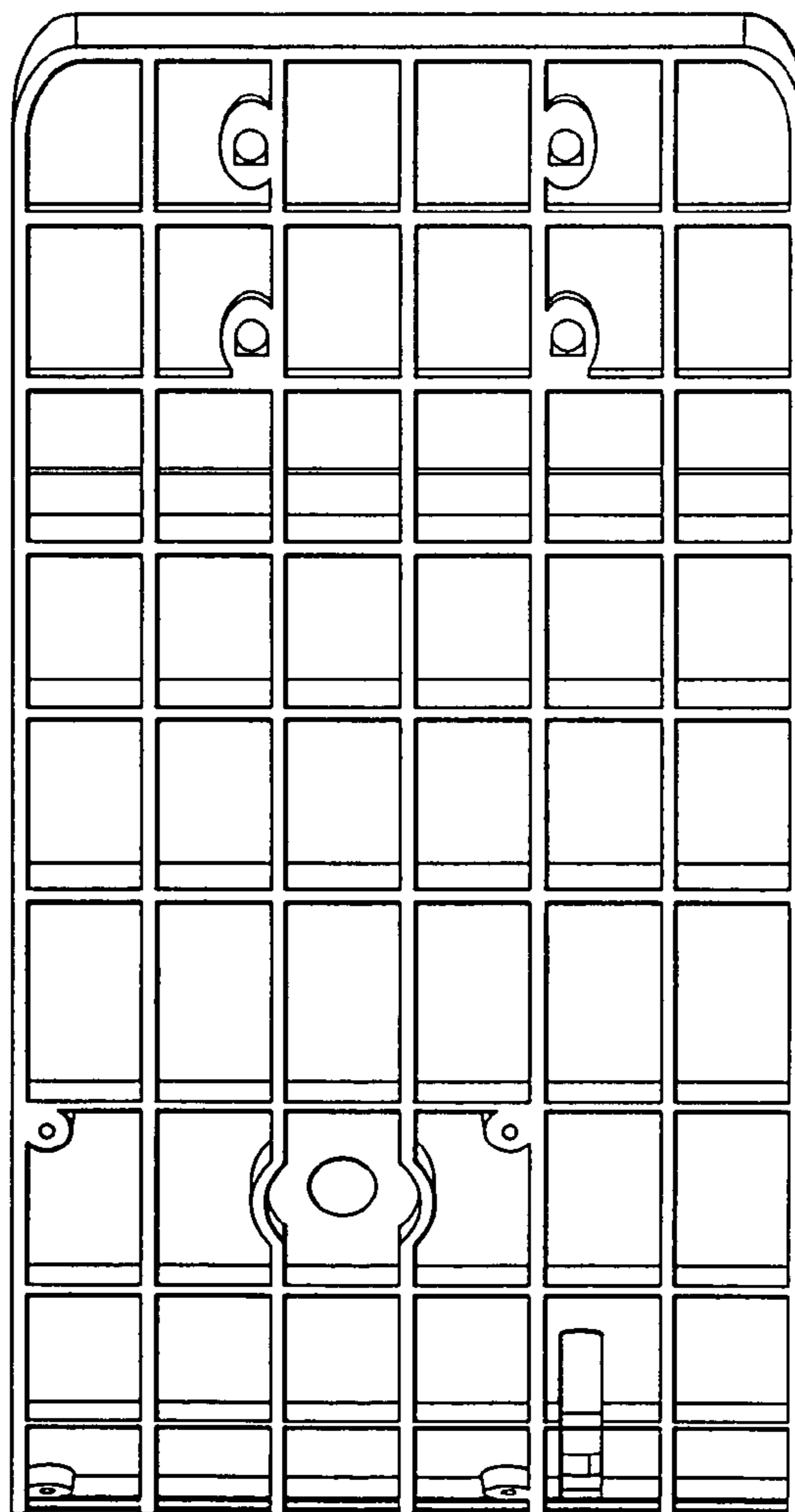


Fig. 4

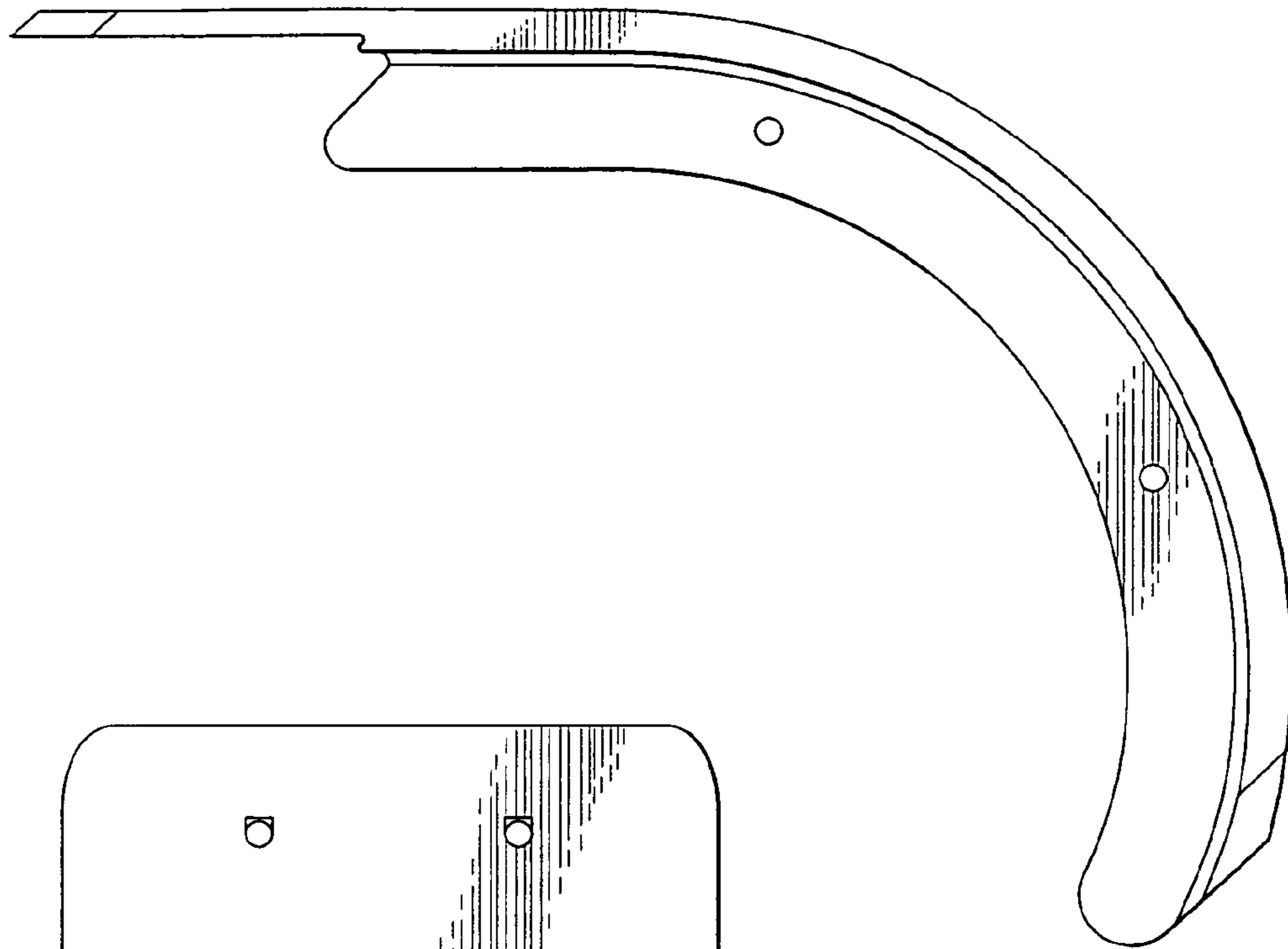
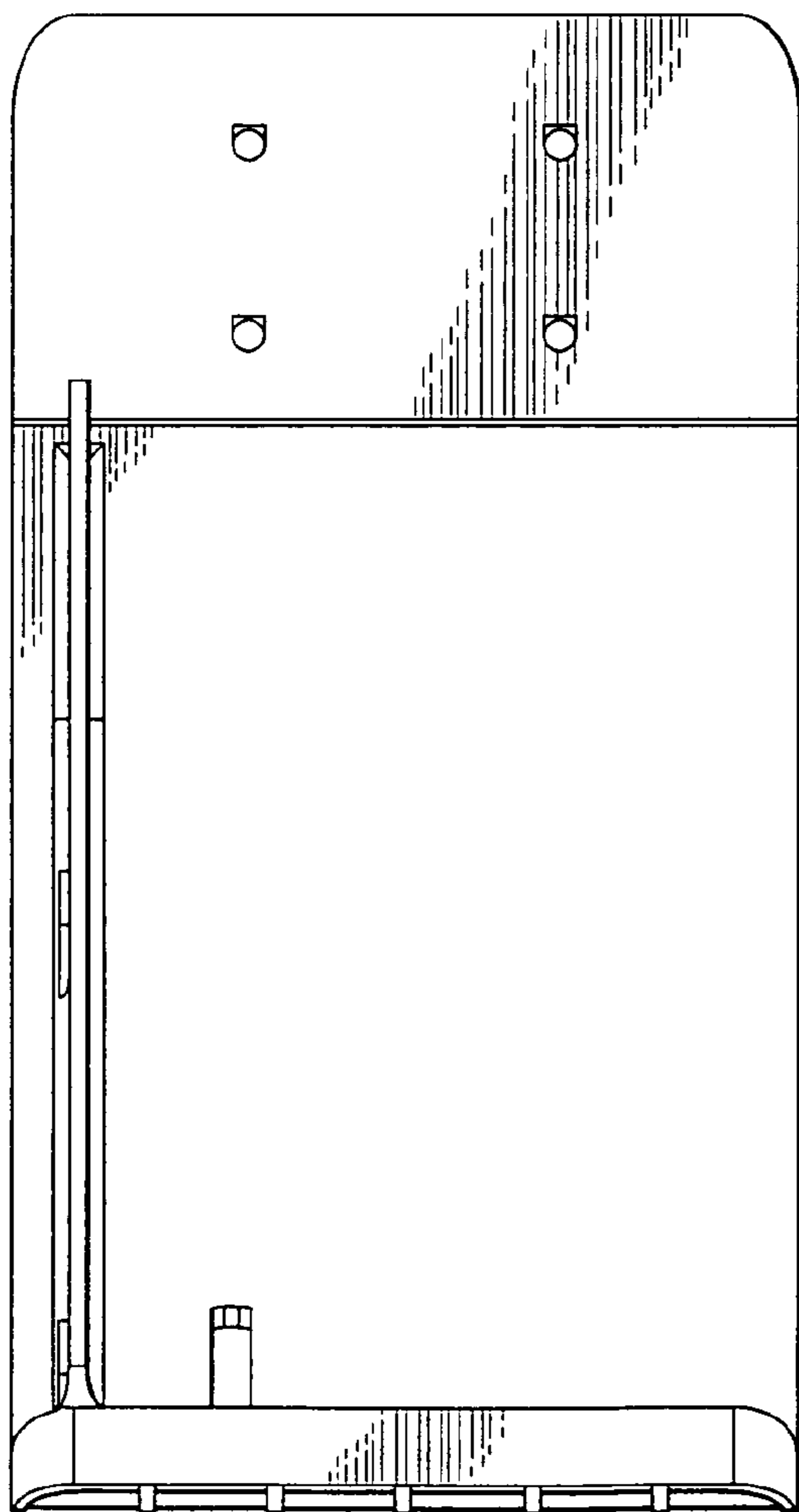


Fig. 5



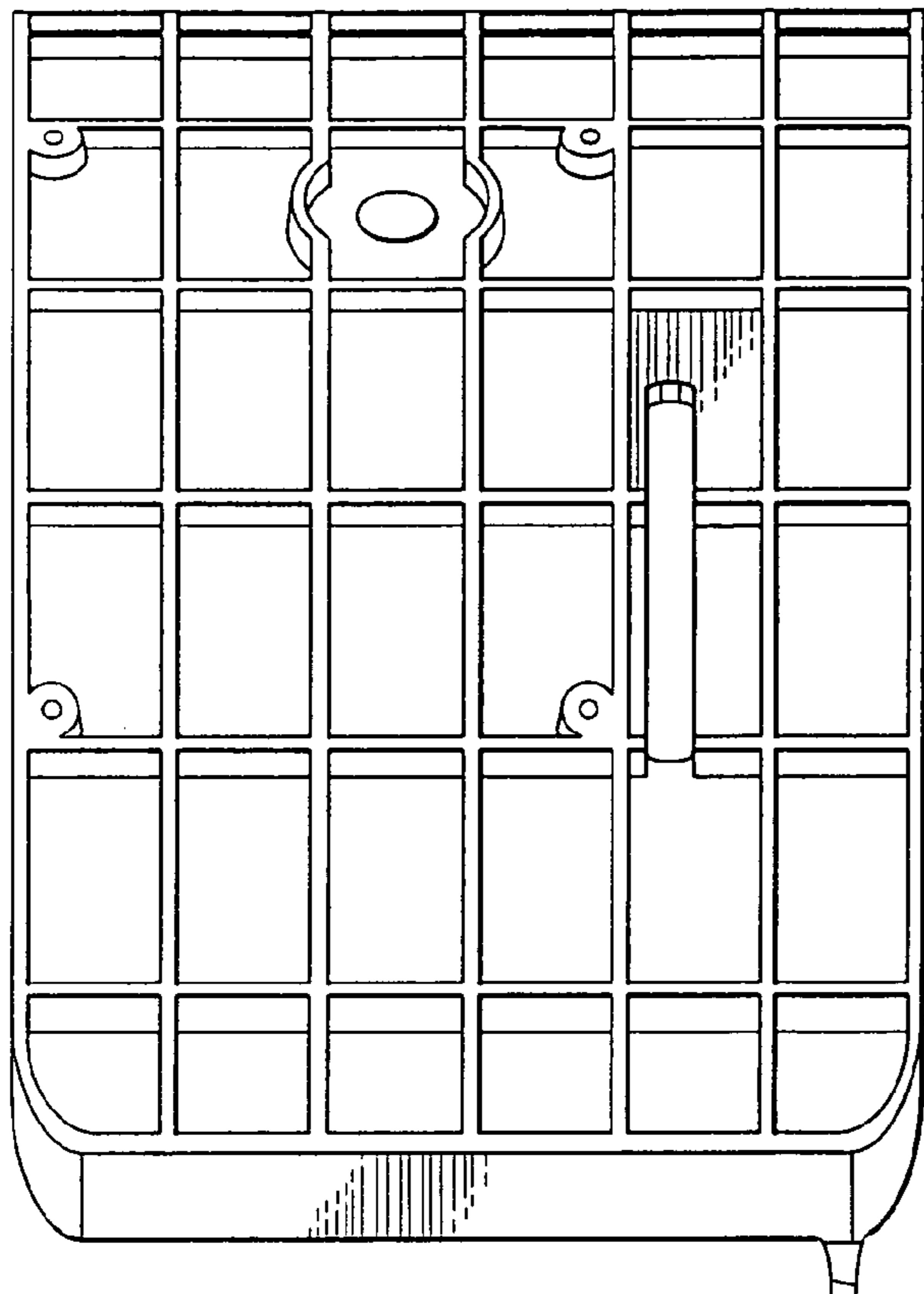


Fig. 6

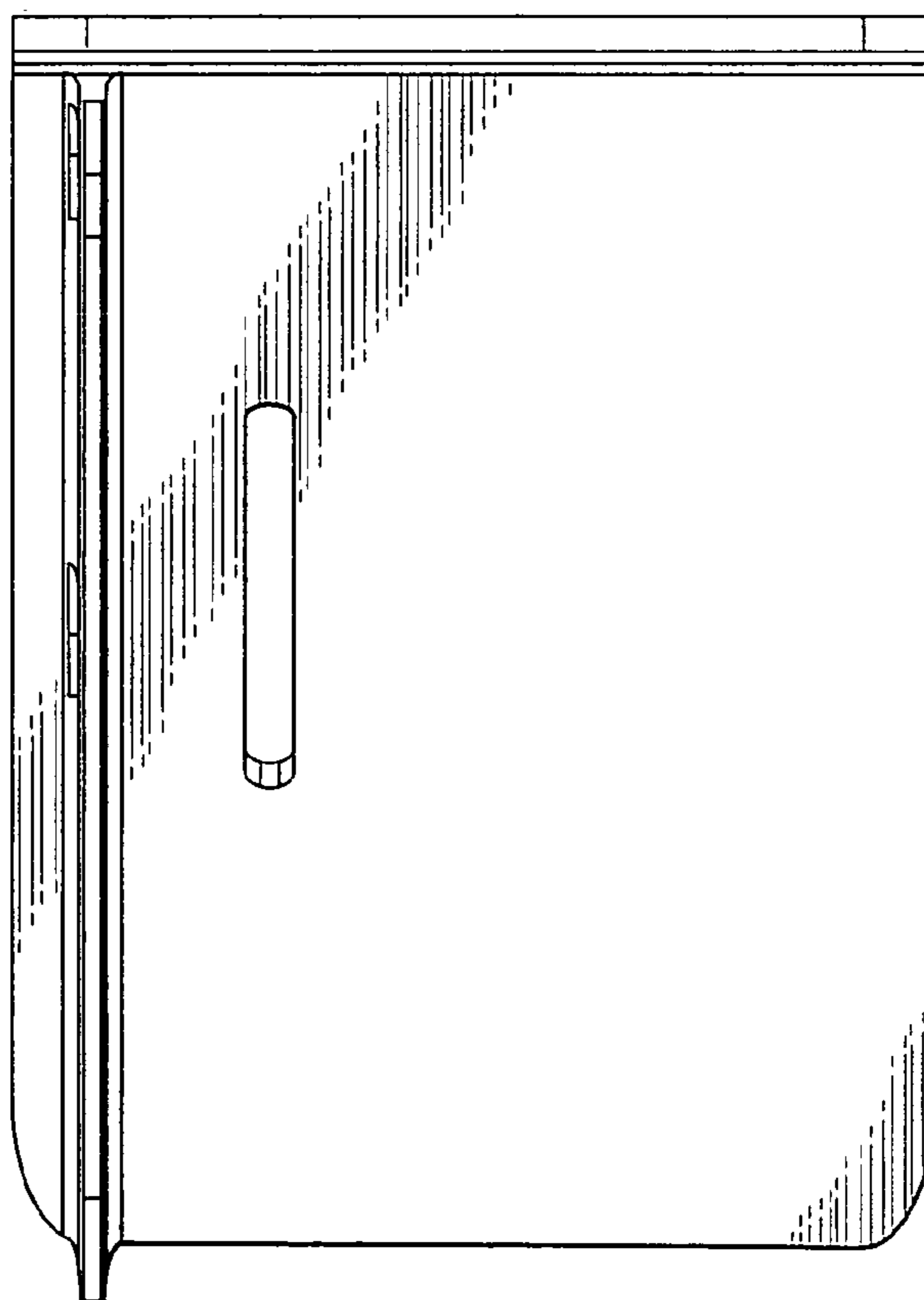


Fig. 7