



US00D608796S

(12) **United States Design Patent**
Miller et al.

(10) **Patent No.:** **US D608,796 S**
(45) **Date of Patent:** **** Jan. 26, 2010**

(54) **FLUID SUMP WITH INTERNALLY MOUNTED PUMP AND FILTER HOUSING**

D288,951 S * 3/1987 Kiiski D21/674
D550,715 S * 9/2007 Davidson et al. D15/7
D583,390 S * 12/2008 Yajima D15/7
D602,960 S * 10/2009 Bukoski et al. D15/9

(75) Inventors: **Ronnie Joe Miller**, Overland Park, KS (US); **Steven M. Matusek**, Olathe, KS (US)

* cited by examiner

(73) Assignee: **Aeromotive, Inc.**, Lenexa, KS (US)

Primary Examiner—Ralf Seifert

(**) Term: **14 Years**

(74) *Attorney, Agent, or Firm*—Erickson, Kernell, Derousseau & Kleypas, LLC

(21) Appl. No.: **29/296,142**

(57) **CLAIM**

(22) Filed: **Oct. 15, 2007**

The ornamental design for a fluid sump with internally mounted pump and filter housing, as shown and described.

(51) **LOC (9) Cl.** **15-02**

DESCRIPTION

(52) **U.S. Cl.** **D15/7**

(58) **Field of Classification Search** D15/7-9;
D23/231, 232, 225; 417/410.1, 359, 415-416,
417/234, 321, 265, 405

FIG. 1 is a perspective view of a fluid sump with internally mounted pump and filter housing according to the present invention;

See application file for complete search history.

FIG. 2 is a top plan view thereof;

(56) **References Cited**

U.S. PATENT DOCUMENTS

D65,005 S * 6/1924 Moore D12/198
D192,235 S * 2/1962 Eidson D15/7
D202,146 S * 8/1965 Fernholtz D15/7
4,028,017 A * 6/1977 Kobiske 417/489
D264,085 S * 4/1982 Clay D15/7

FIG. 3 is a bottom plan view thereof;

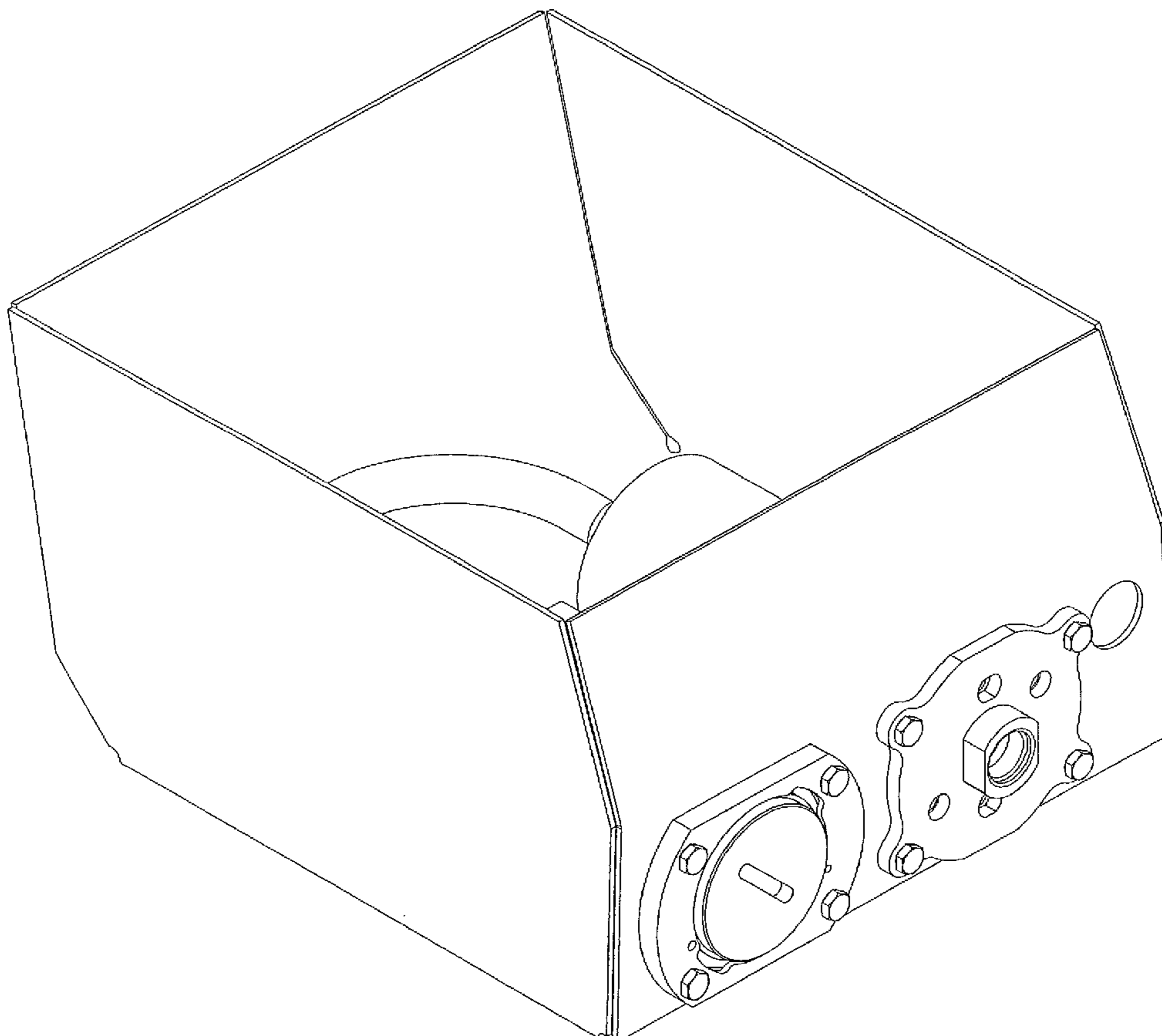
FIG. 4 is a front elevational view thereof;

FIG. 5 is a rear elevational view thereof;

FIG. 6 is a left side elevational view thereof; and,

FIG. 7 is a right side elevational view thereof.

1 Claim, 7 Drawing Sheets



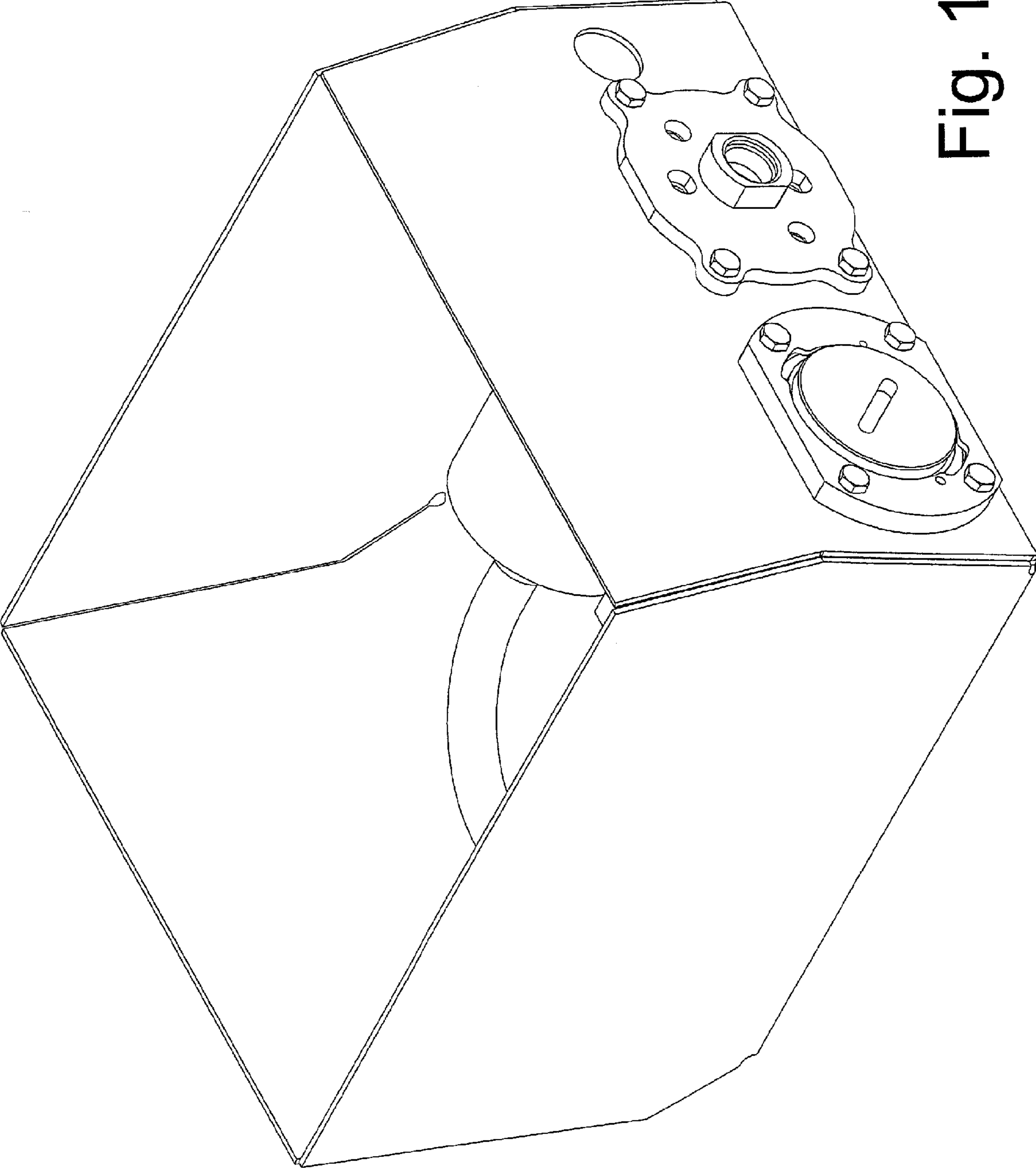


Fig. 1.

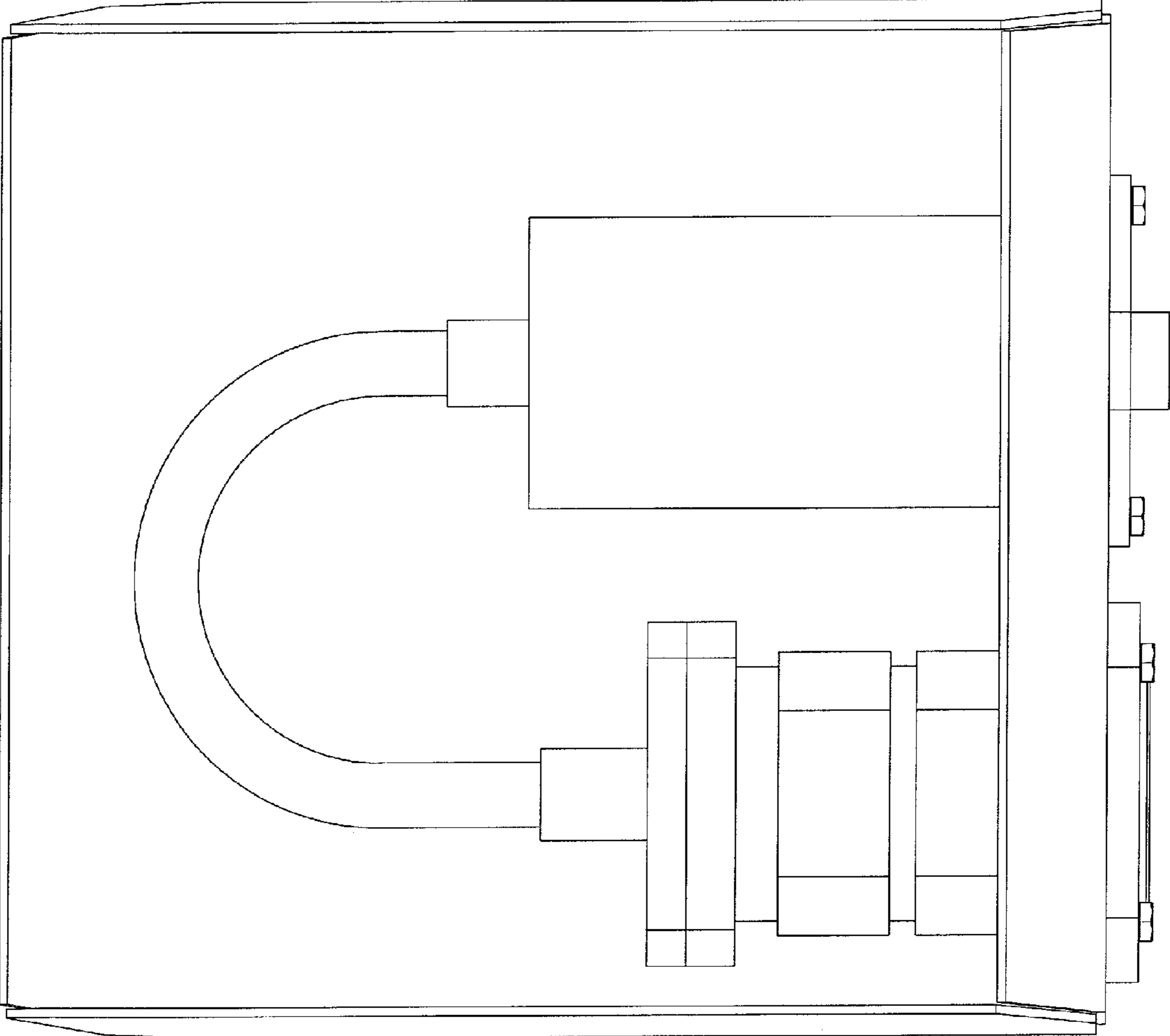


Fig. 2.

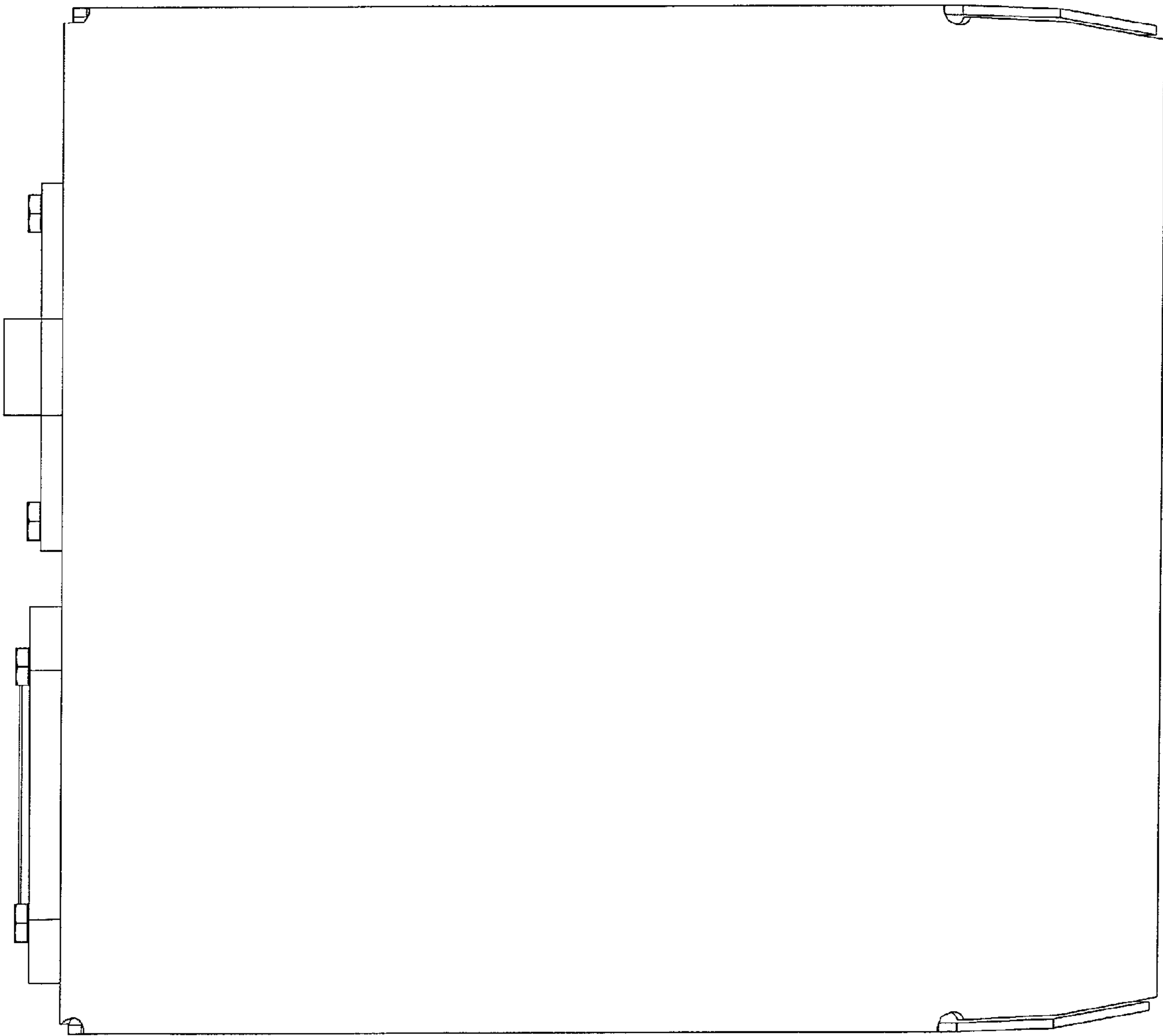


Fig. 3.

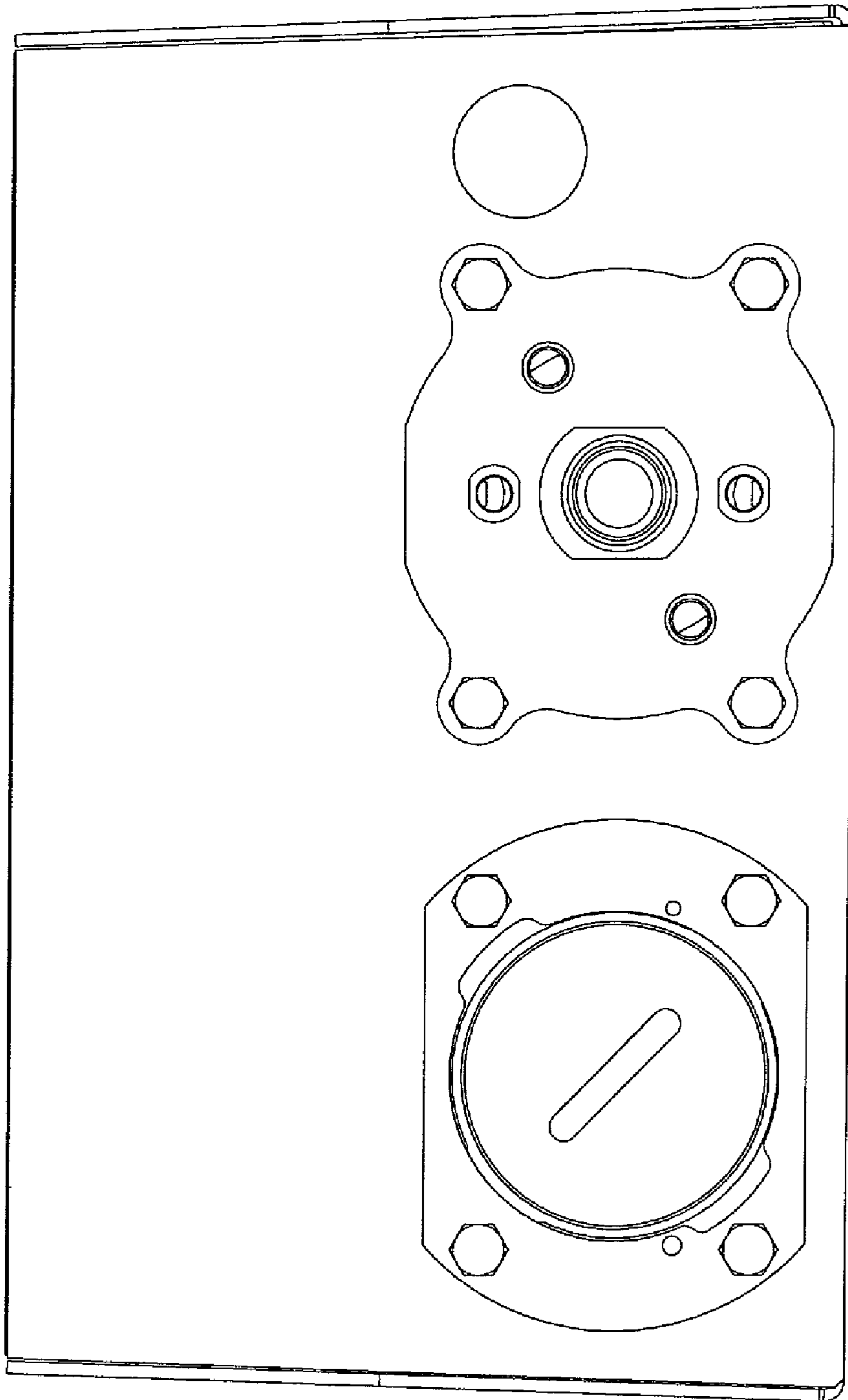


Fig. 4.

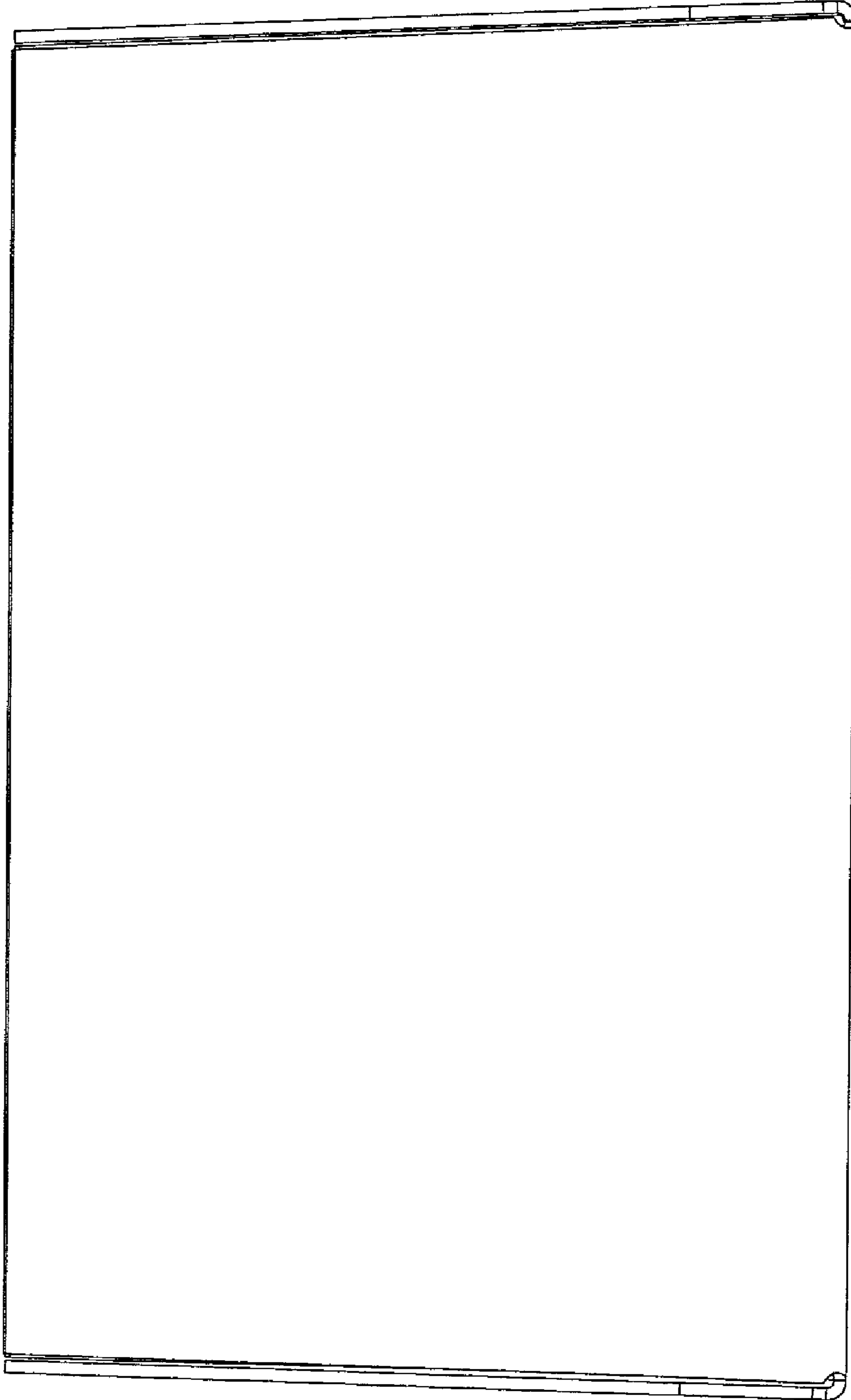


Fig. 5.

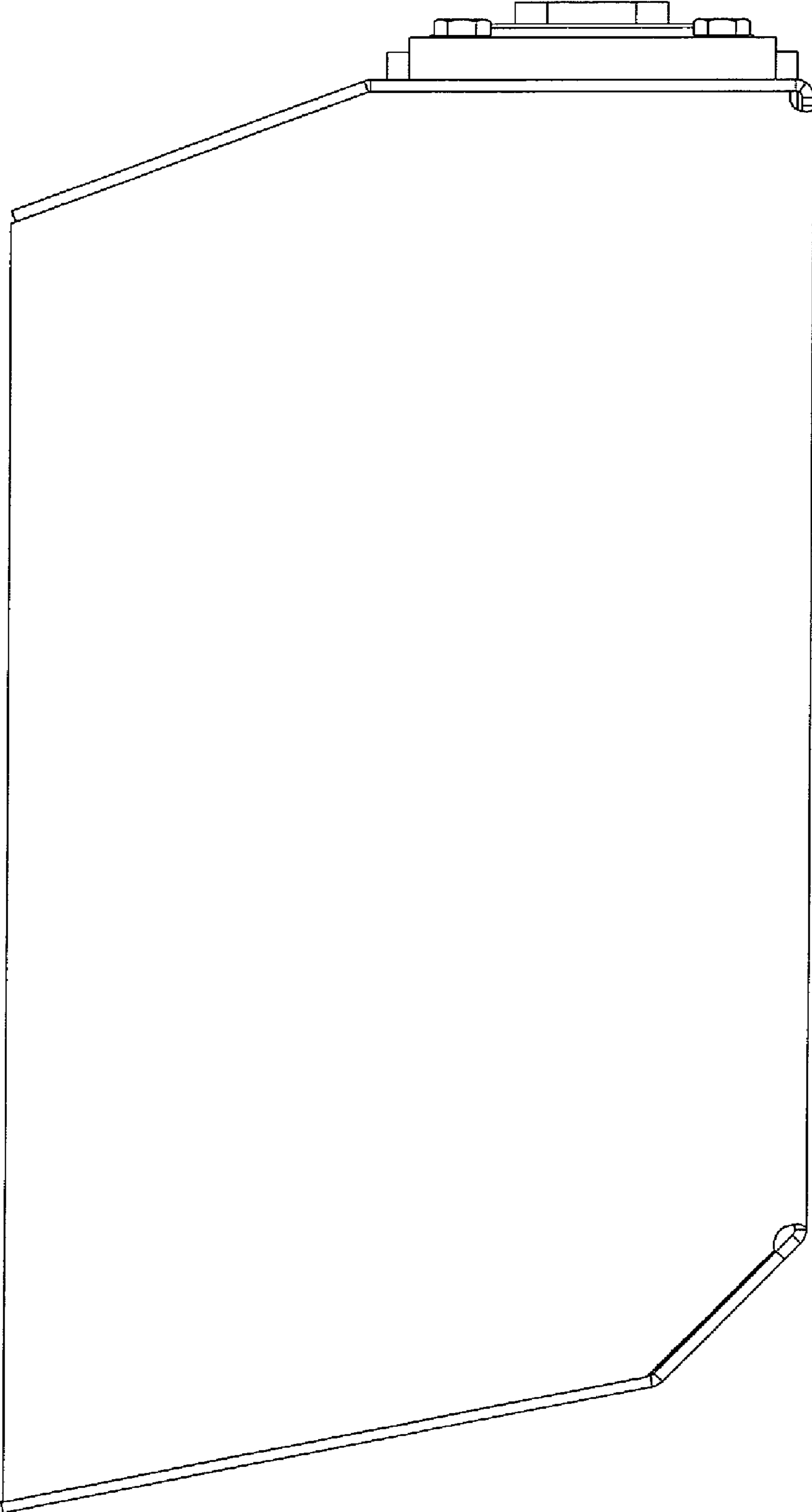


Fig. 6.

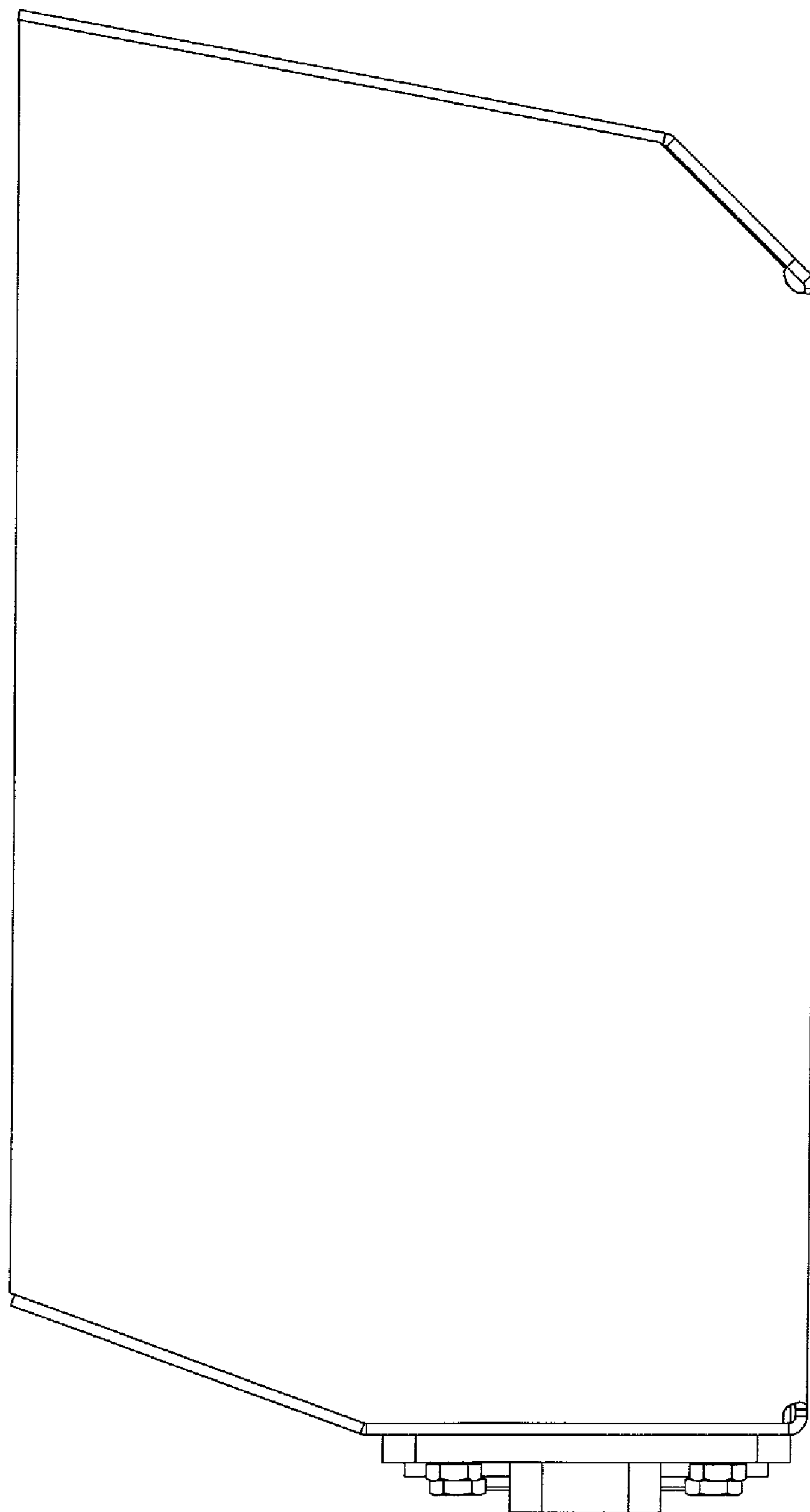


Fig. 7.